



US00D589943S

(12) **United States Design Patent**  
**Yokoyama**

(10) **Patent No.:** **US D589,943 S**

(45) **Date of Patent:** **\*\* \*Apr. 7, 2009**

(54) **SPEAKER**

(75) Inventor: **Hiroaki Yokoyama**, Tokyo (JP)

(73) Assignee: **Sony Corporation**, Tokyo (JP)

(\*) Notice: This patent is subject to a terminal disclaimer.

(\*\*) Term: **14 Years**

(21) Appl. No.: **29/290,628**

(22) Filed: **Dec. 28, 2007**

(51) **LOC (9) Cl.** ..... **14-01**

(52) **U.S. Cl.** ..... **D14/221**

(58) **Field of Classification Search** ..... D14/204,  
D14/209-216, 219-222; 181/143-144, 147-148,  
181/150, 157, 198-199, 151, 153; 381/300-302,  
381/306, 333, 345, 361-364, 386-388, 332,  
381/336

See application file for complete search history.

(56) **References Cited**

**U.S. PATENT DOCUMENTS**

D434,751 S	12/2000	Sogabe et al.	
D488,802 S	4/2004	Uehara et al.	
D489,359 S	5/2004	Hakoda	
D494,155 S	8/2004	Shindo et al.	
D523,849 S *	6/2006	Ishikawa et al.	..... D14/221
D532,771 S	11/2006	Motoishi	
D534,158 S	12/2006	Yokoyama	

D547,751 S	7/2007	Shiono	
D549,693 S *	8/2007	Mizokawa	..... D14/216
D550,208 S *	9/2007	Mizokawa	..... D14/216

**FOREIGN PATENT DOCUMENTS**

CN	D3408548 S	12/2004
CN	D3413761 S	12/2004

\* cited by examiner

*Primary Examiner*—Nanda Bondade

(74) *Attorney, Agent, or Firm*—Rader, Fishman & Grauer, PLLC

(57) **CLAIM**

The ornamental design for a speaker, as shown and described.

**DESCRIPTION**

FIG. 1 is a front perspective view of a speaker showing my new design;

FIG. 2 is a front elevational view thereof;

FIG. 3 is a rear elevational view thereof;

FIG. 4 is a left side elevational view thereof;

FIG. 5 is a right side elevational view thereof;

FIG. 6 is a top plan view thereof; and,

FIG. 7 is a bottom plan view thereof.

The portions indicated in broken lines are for illustrative purposes only and form no part of the claimed design.

**1 Claim, 7 Drawing Sheets**

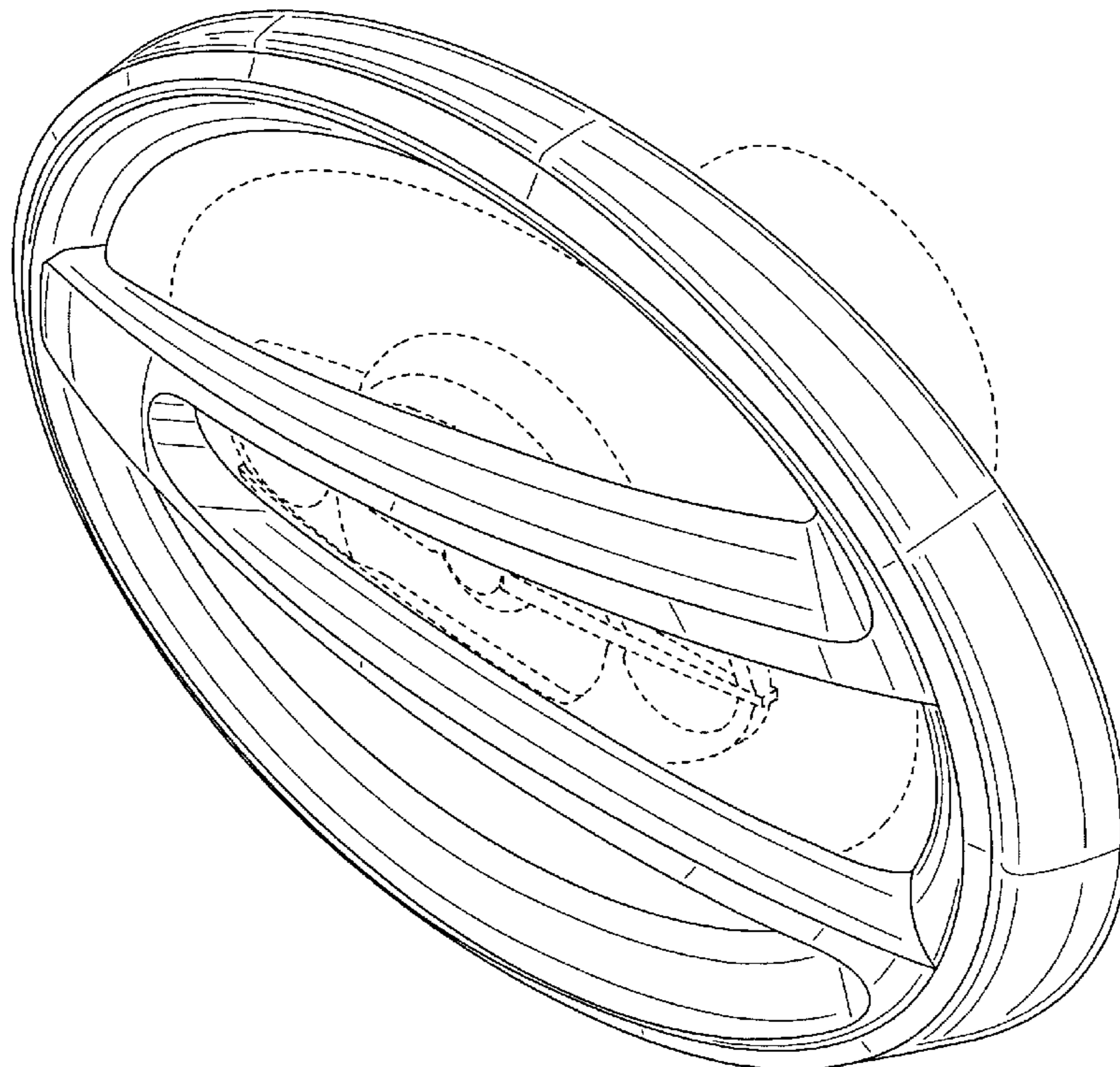
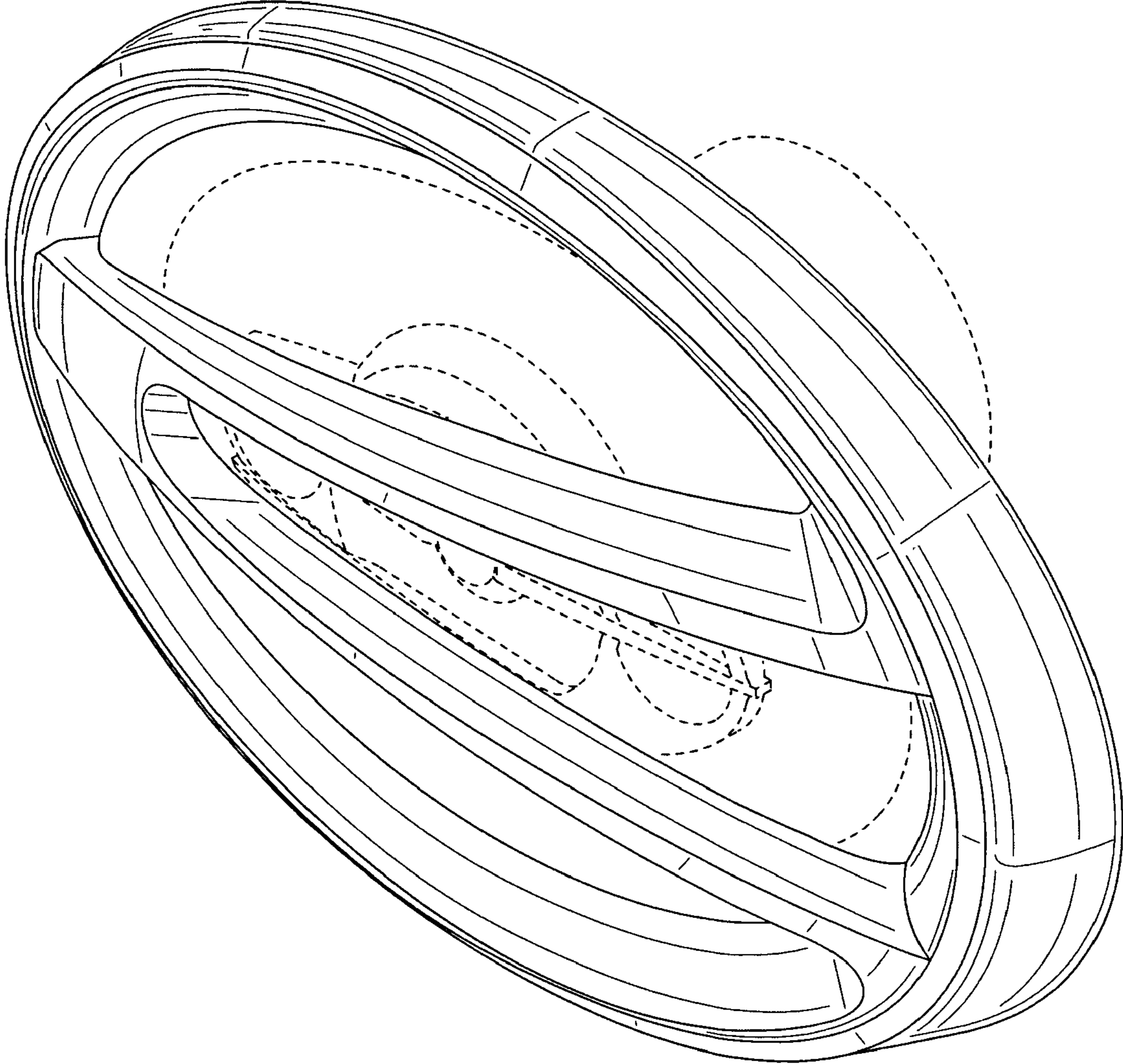


FIG.1



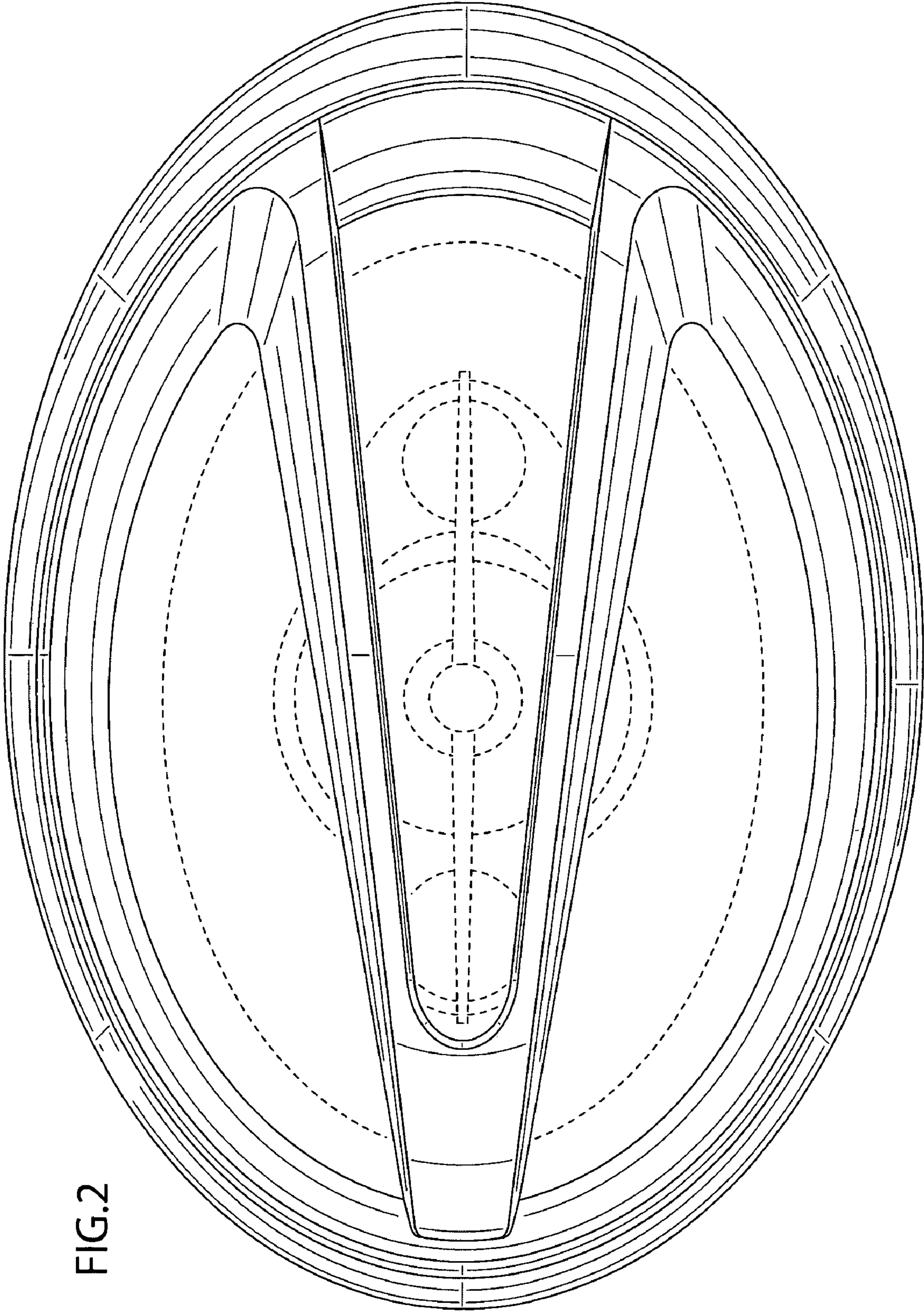


FIG.2

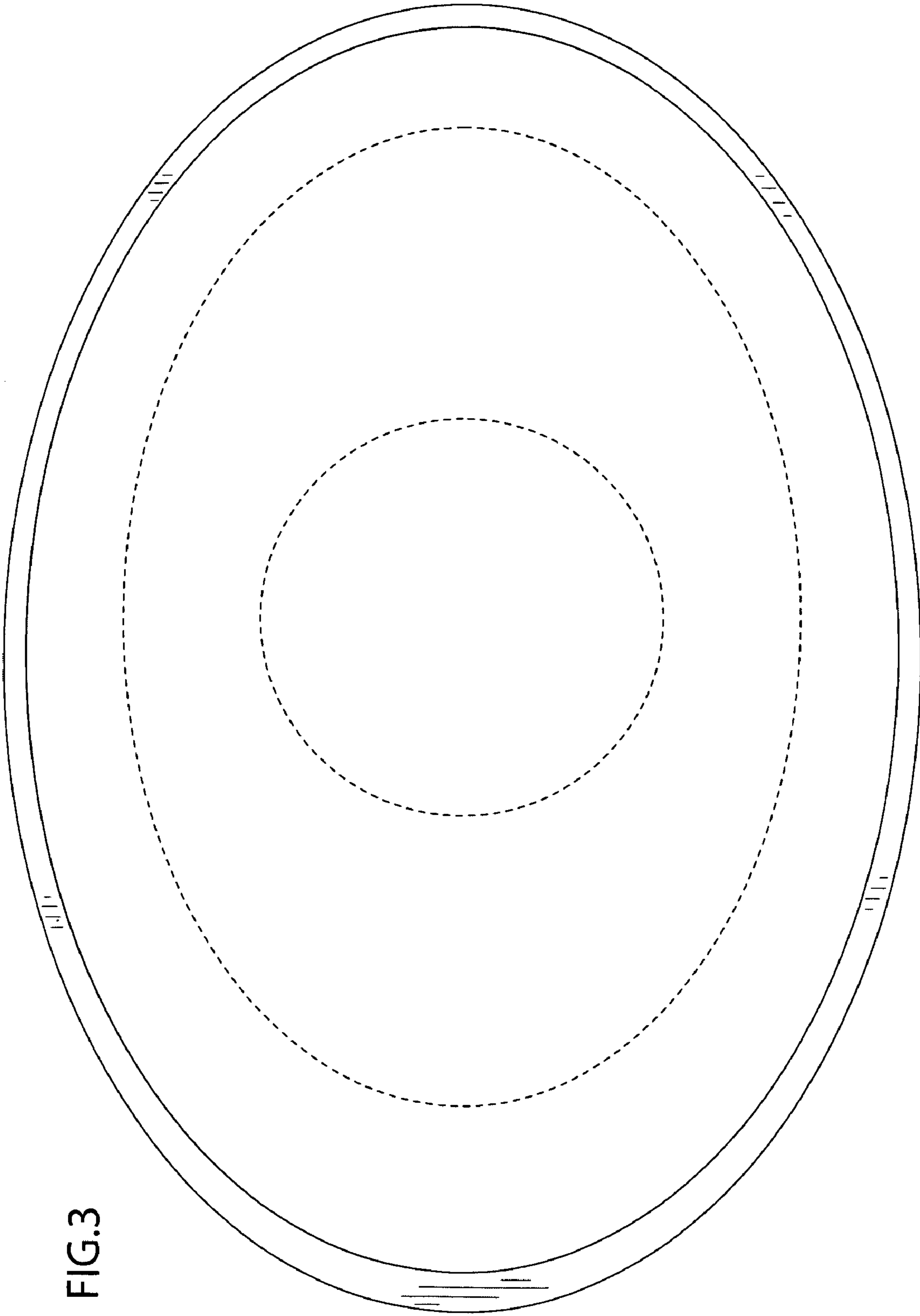


FIG. 3

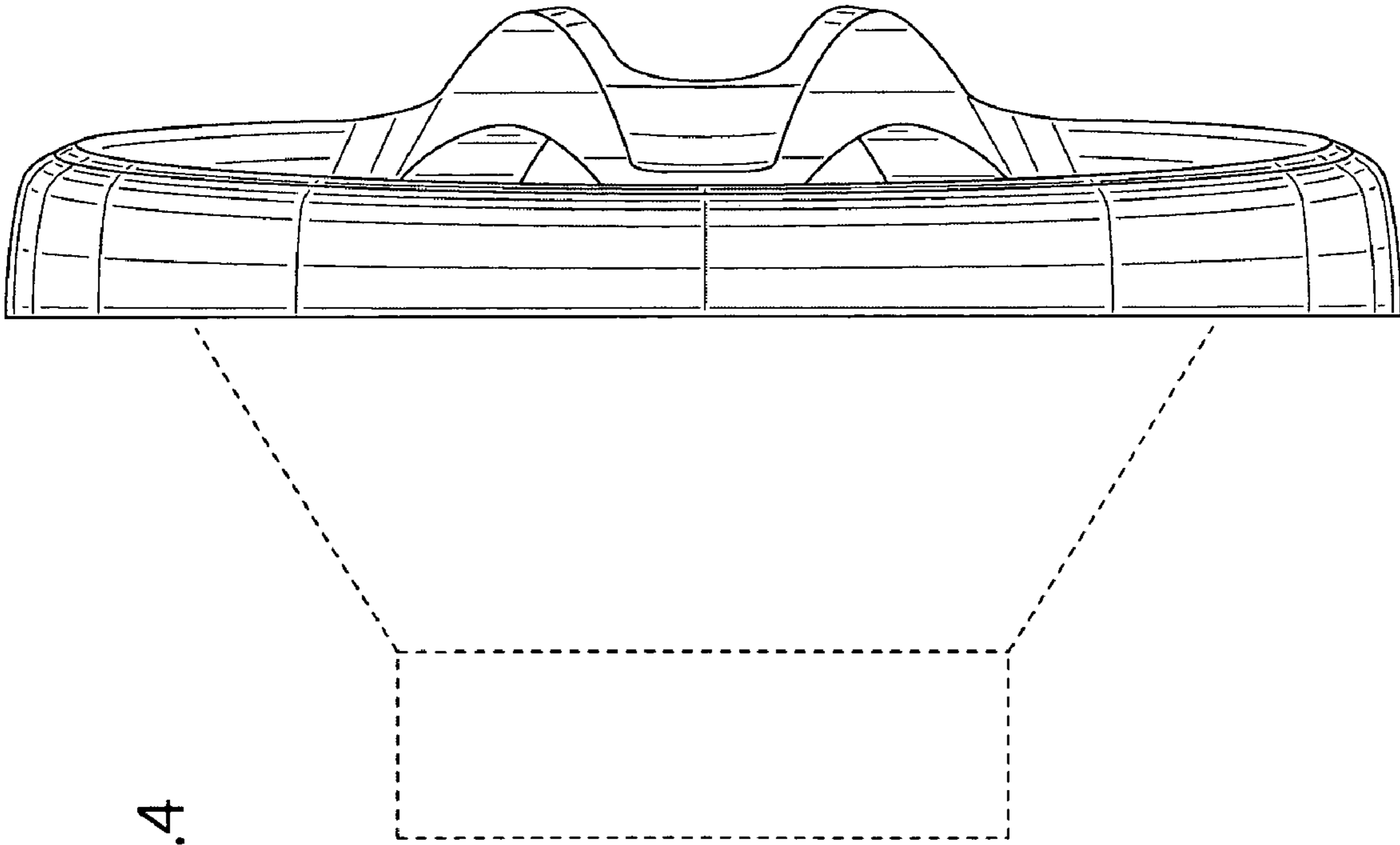


FIG.4

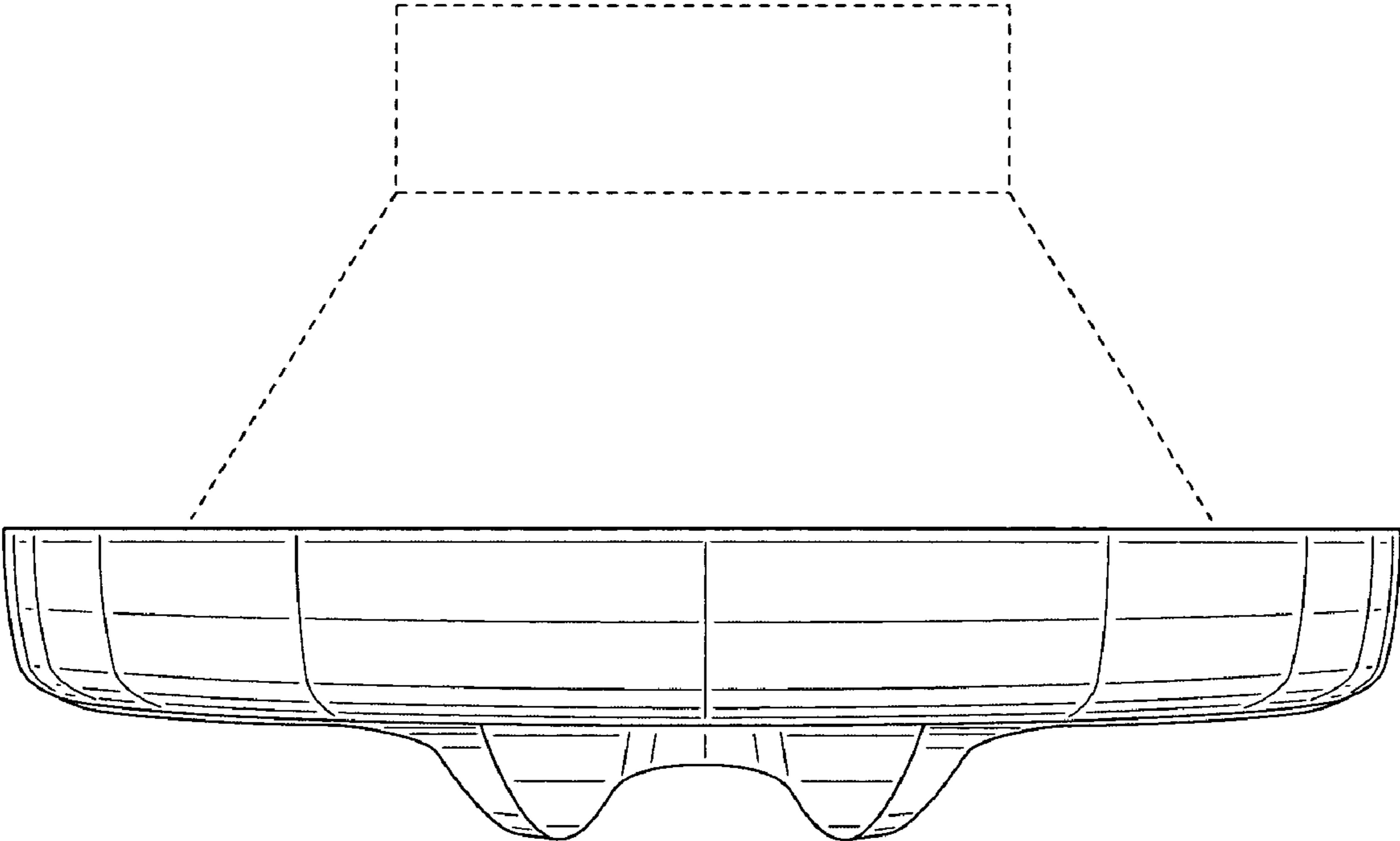


FIG.5

FIG.6

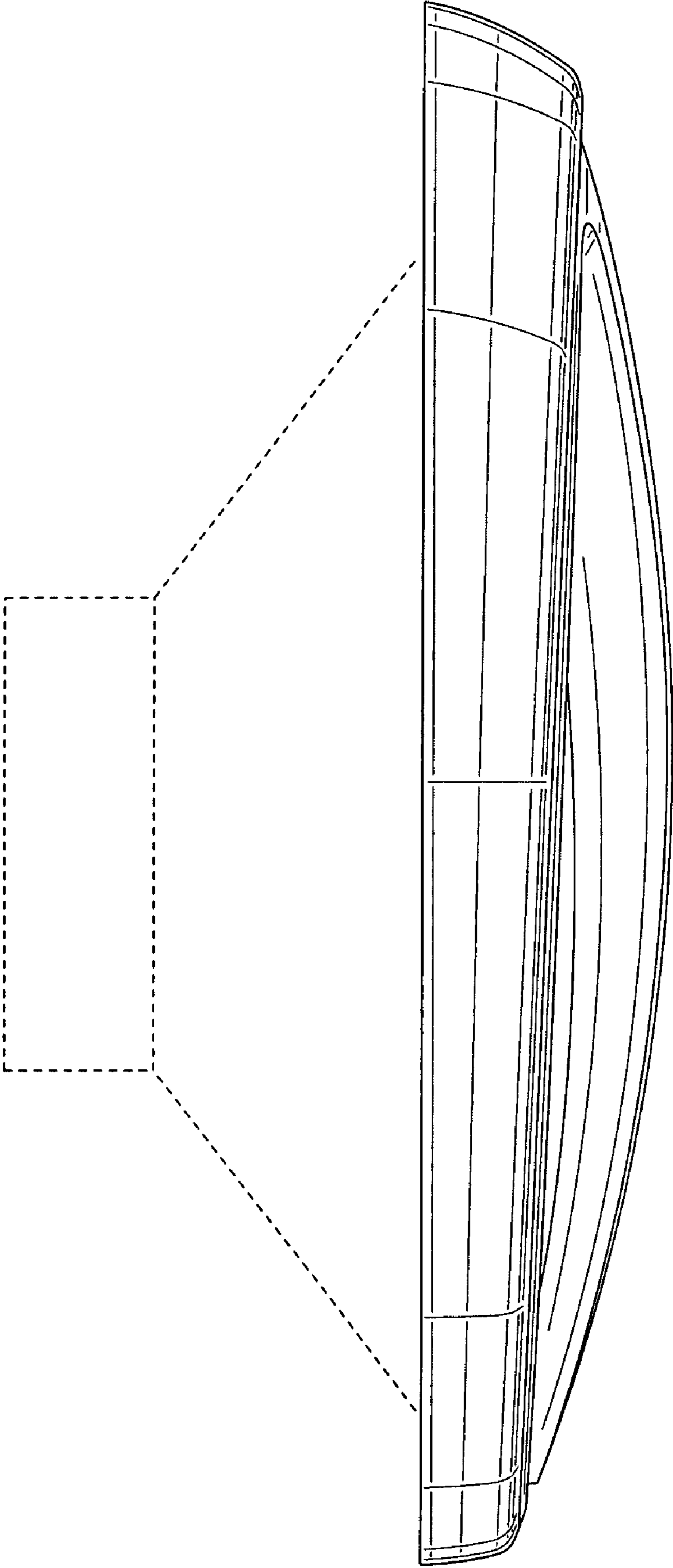


FIG.7

