



US00D589940S

(12) **United States Design Patent**
Jacobs et al.

(10) **Patent No.:** **US D589,940 S**

(45) **Date of Patent:** **** Apr. 7, 2009**

(54) **SPEAKER HOUSING**

(75) Inventors: **David Jacobs**, Rolling Hills, CA (US);
Scott Miyako, Torrance, CA (US);
Rohini Minapalli, Huntington Beach,
CA (US)

(73) Assignee: **Anchor Audio, Inc.**, Torrence, CA (US)

(**) Term: **14 Years**

(21) Appl. No.: **29/318,950**

(22) Filed: **May 30, 2008**

(51) **LOC (9) Cl.** **14-01**

(52) **U.S. Cl.** **D14/214**

(58) **Field of Classification Search** D14/204,
D14/210–216, 172; 181/143–144, 147–148,
181/150–153, 157, 198–199; 381/300–303,
381/306, 332–333, 336, 345, 361–364, 386–388
See application file for complete search history.

(56) **References Cited**

U.S. PATENT DOCUMENTS

D182,794 S * 5/1958 Eames D14/214
3,194,340 A * 7/1965 Kuwayama 381/346
D229,068 S * 11/1973 Engle D14/212

D239,775 S * 5/1976 Reed D14/215
D531,167 S * 10/2006 Harries D14/215

* cited by examiner

Primary Examiner—Nanda Bondade

(74) *Attorney, Agent, or Firm*—The Eclipse Group LLP

(57) **CLAIM**

We claim the ornamental design for a speaker housing, as shown and described.

DESCRIPTION

FIG. 1 is a front perspective view of a speaker housing.

FIG. 2 is a front view of the speaker housing of FIG. 1.

FIG. 3 is a left side view of the speaker housing of FIG. 1.

FIG. 4 is a rear view of the speaker housing of FIG. 1.

FIG. 5 is a right side view of the speaker housing of FIG. 1.

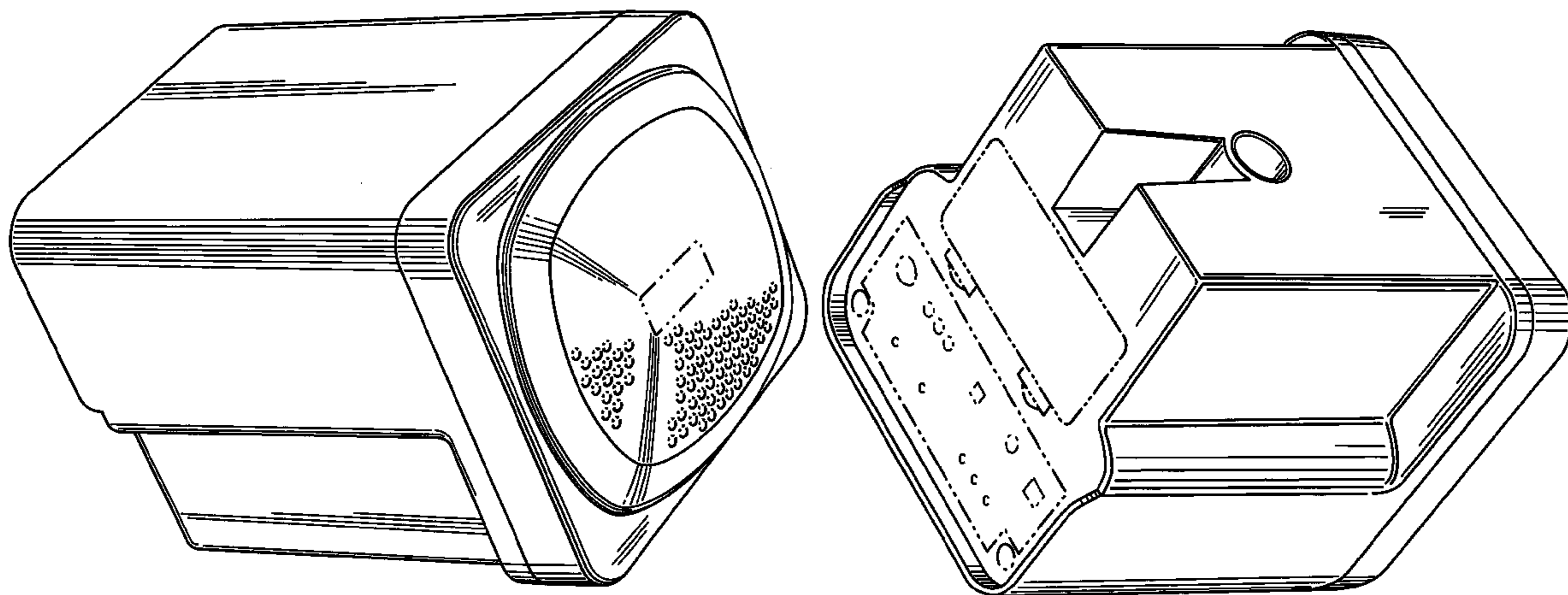
FIG. 6 is a top view of the speaker housing of FIG. 1.

FIG. 7 is a bottom view of the speaker housing of FIG. 1; and,

FIG. 8 is a rear perspective view of the speaker housing of FIG. 1.

The broken lines in the Figures are included for the purpose of illustration and form no part of the claimed design.

1 Claim, 8 Drawing Sheets



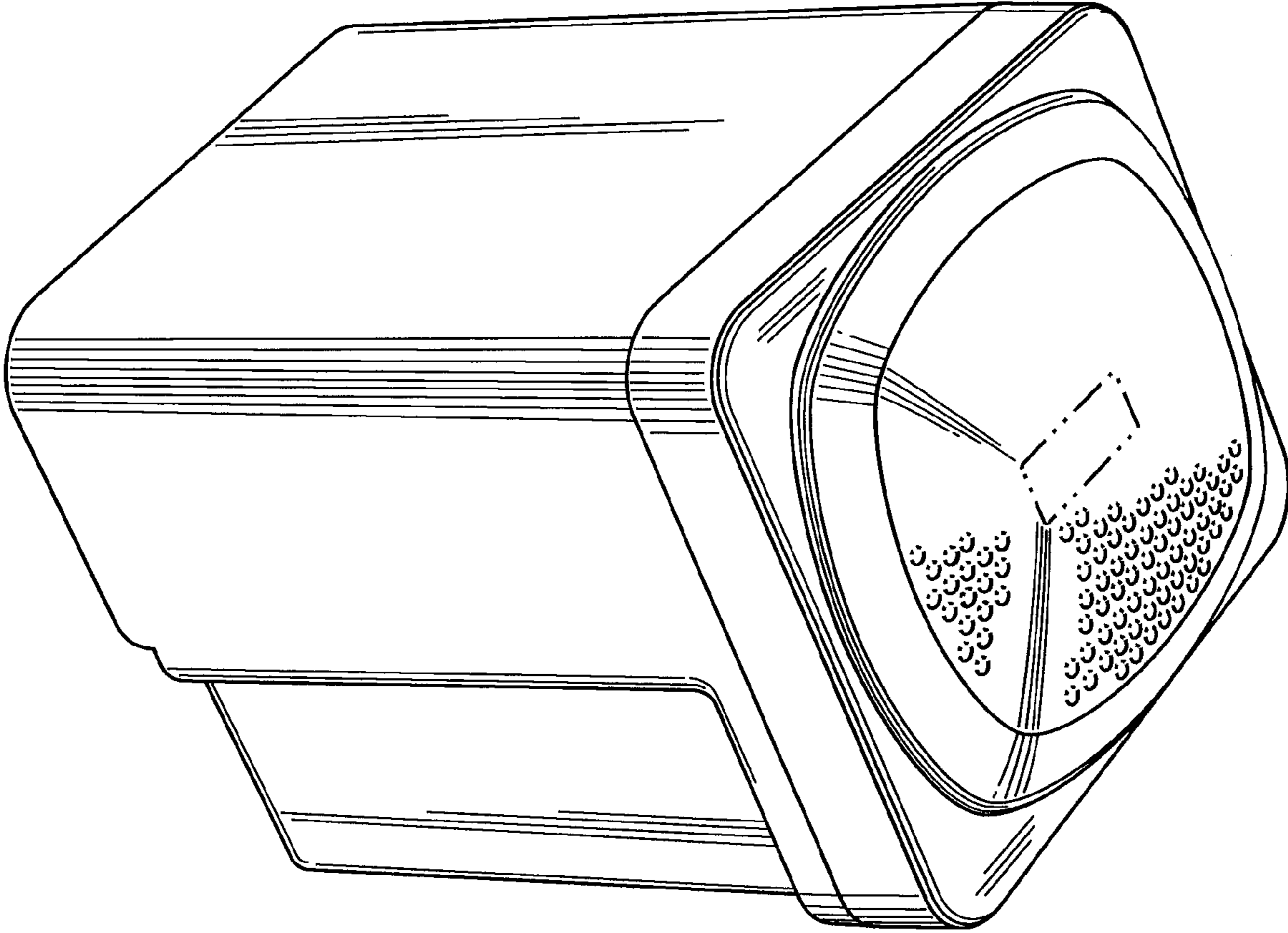


Fig. 1

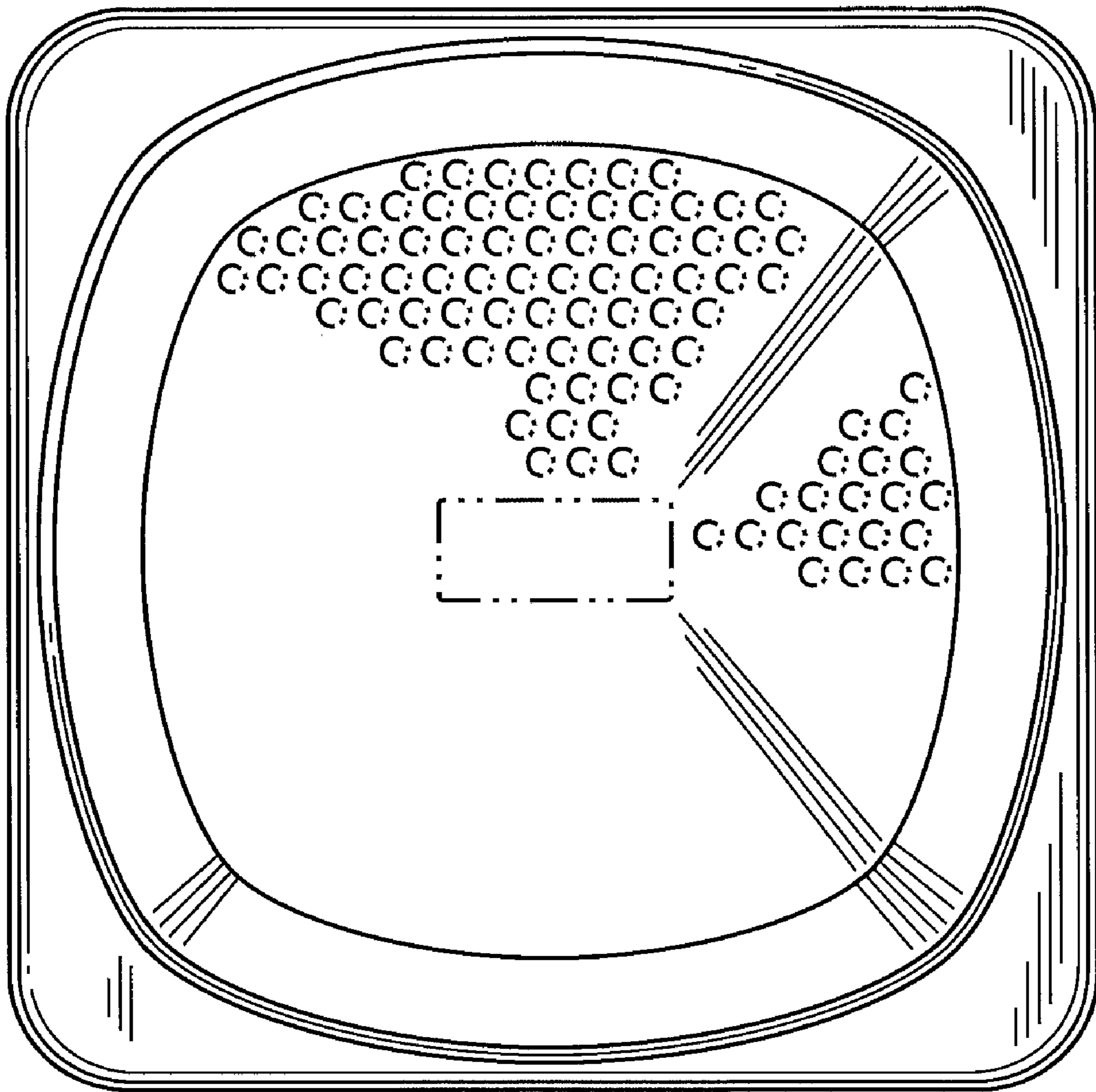


Fig. 2

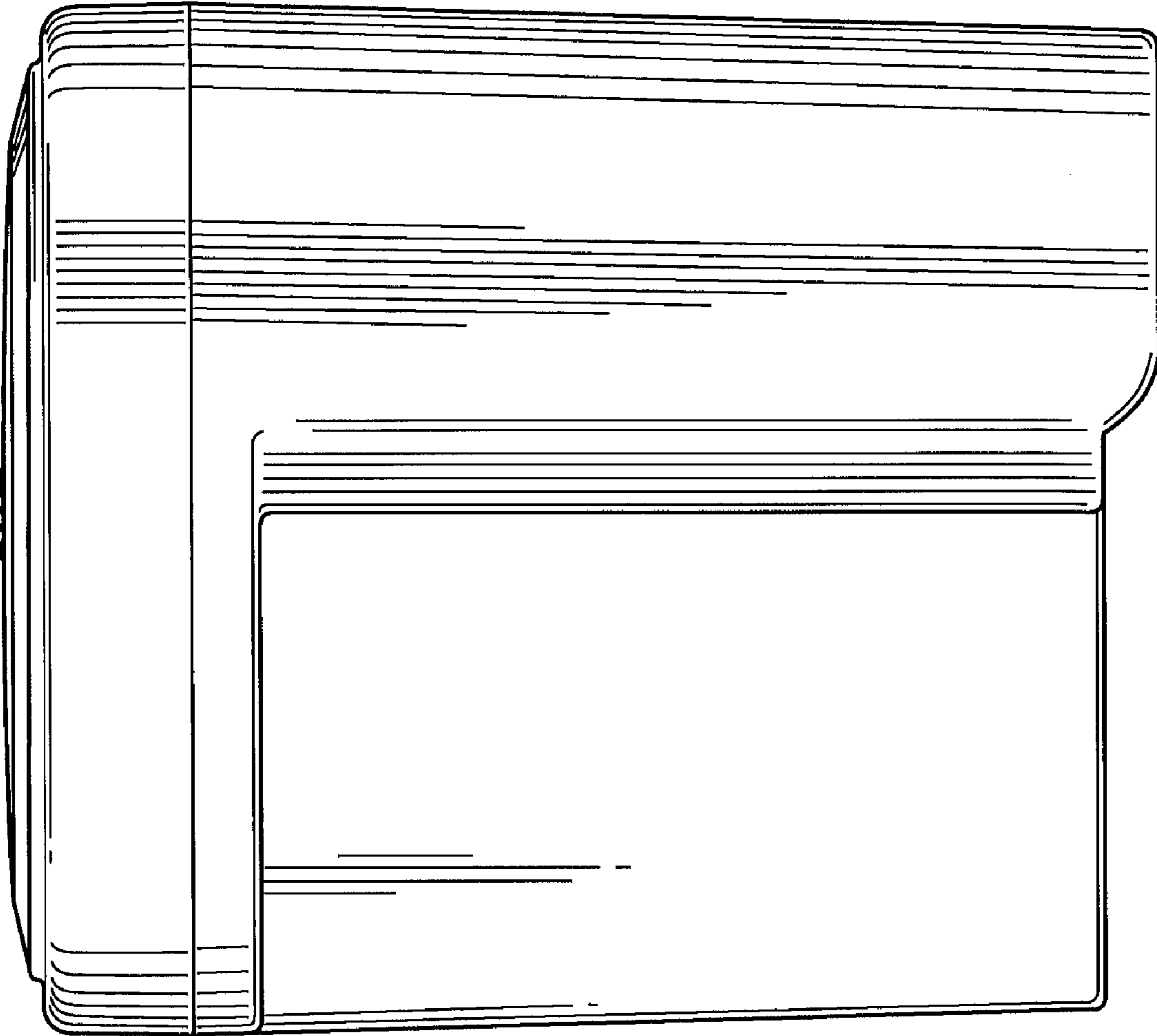


Fig. 3

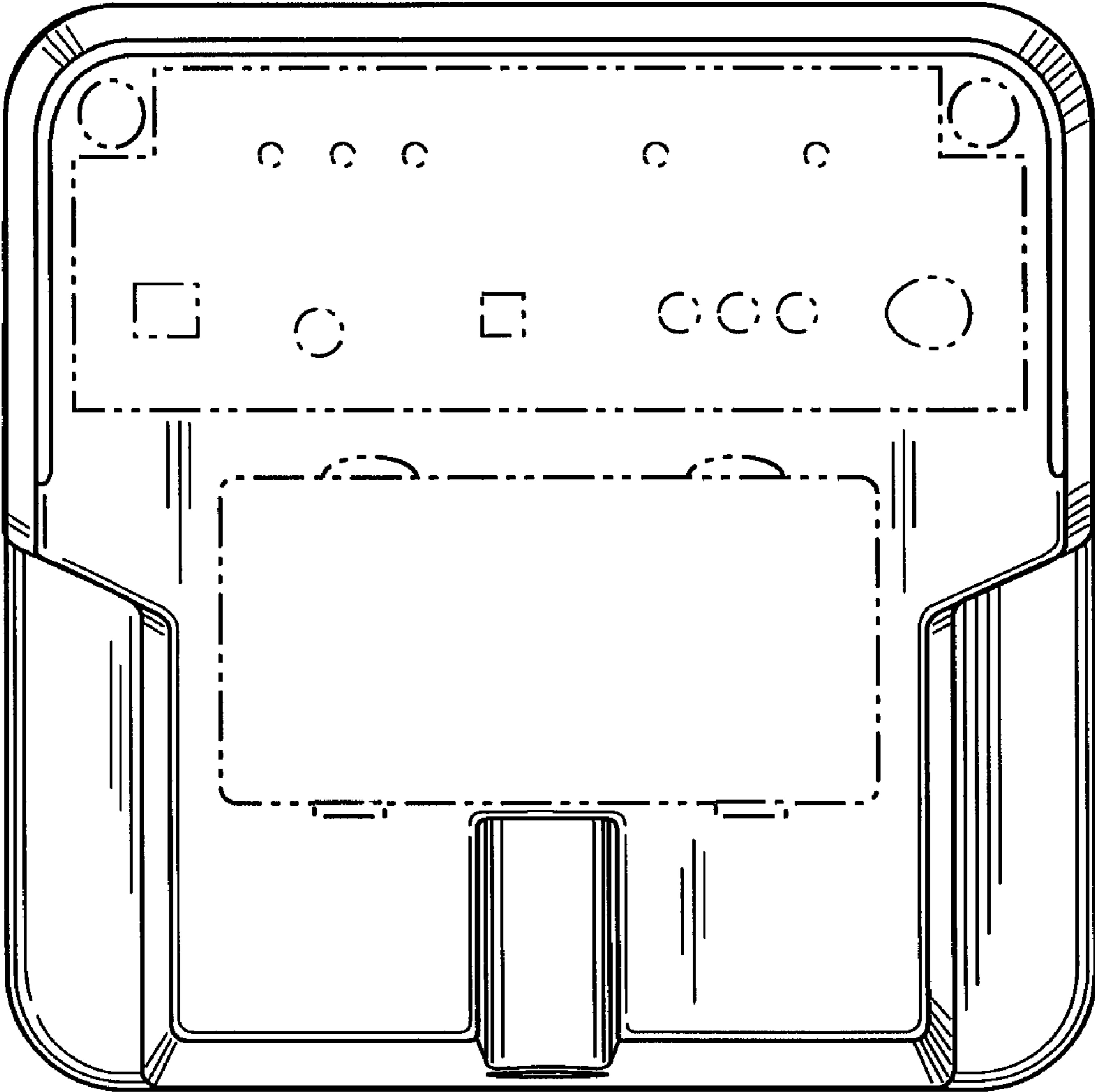


Fig. 4

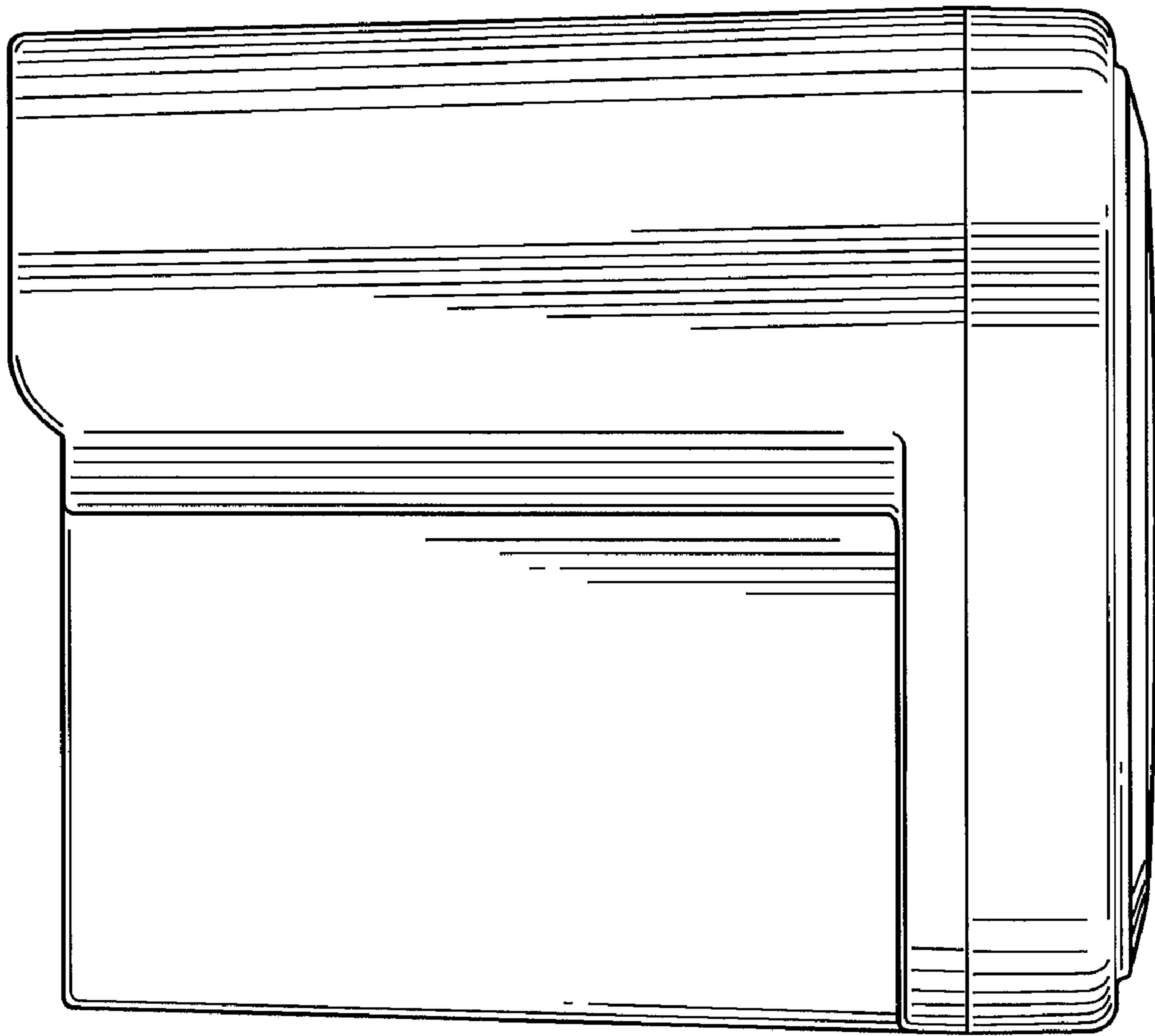


Fig. 5

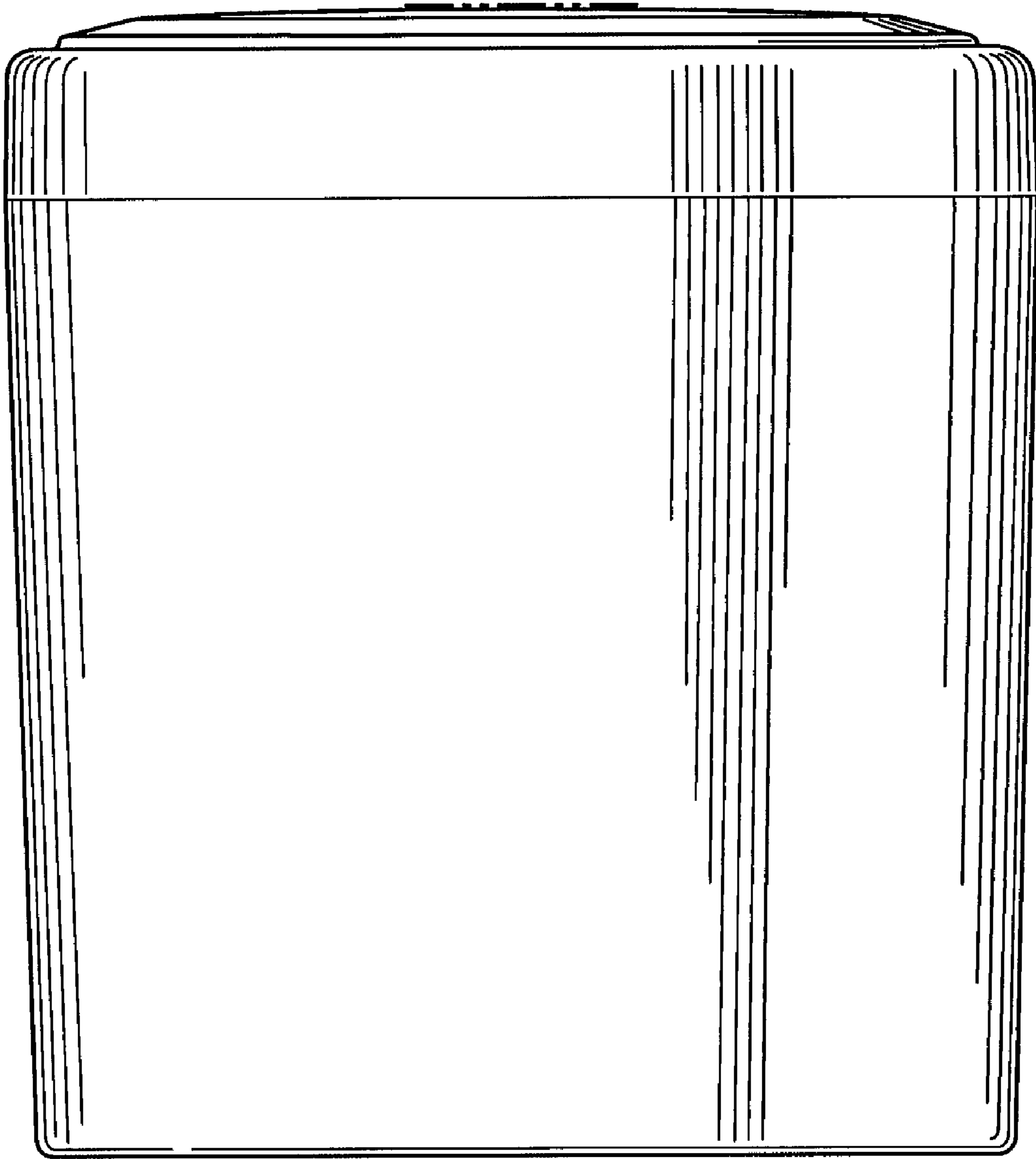


Fig. 6

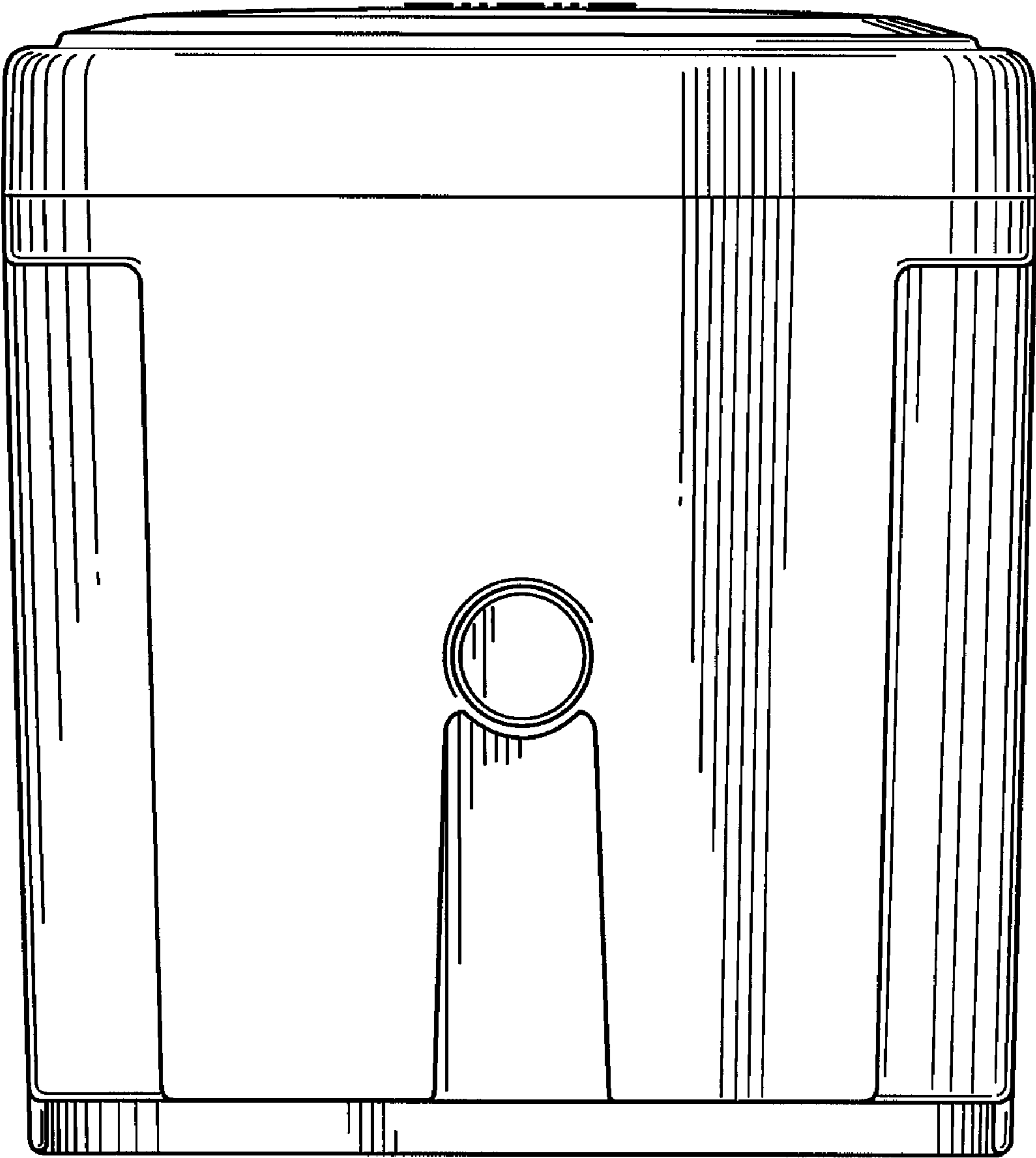


Fig. 7

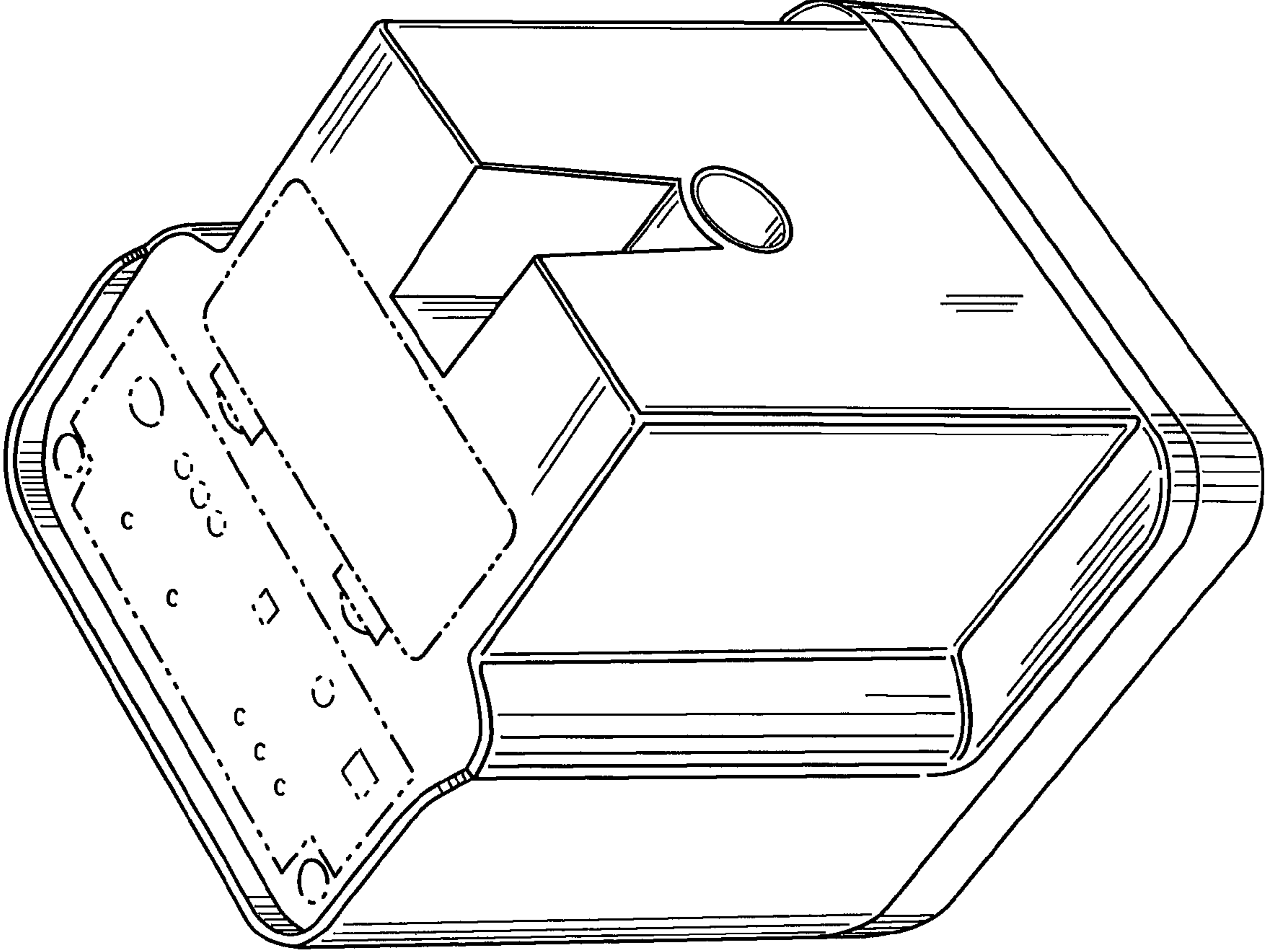


Fig. 8