



US00D589939S

(12) **United States Design Patent**  
**Hsu**

(10) **Patent No.:** **US D589,939 S**

(45) **Date of Patent:** **\*\* Apr. 7, 2009**

(54) **SURROUND SPEAKER**

(75) Inventor: **Wei Hsu**, Taipei (TW)

(73) Assignee: **WEISTECH Technology Co., Ltd.**,  
Taipei (TW)

(\*\*) Term: **14 Years**

(21) Appl. No.: **29/306,133**

(22) Filed: **Apr. 3, 2008**

(30) **Foreign Application Priority Data**

Aug. 14, 2007 (TW) ..... 96213407

(51) **LOC (9) Cl.** ..... **14-01**

(52) **U.S. Cl.** ..... **D14/214; D14/211**

(58) **Field of Classification Search** ..... D14/204,  
D14/210–216, 172; 181/143–144, 147–148,  
181/150–153, 157, 198–199; 381/300–303,  
381/306, 332–333, 336, 345, 361–364, 386–388  
See application file for complete search history.

(56) **References Cited**

**U.S. PATENT DOCUMENTS**

D478,891 S \* 8/2003 Hisatsune ..... D14/211

D520,494 S \* 5/2006 Aiba et al. .... D14/214

D532,408 S \* 11/2006 Kita ..... D14/214

D537,071 S \* 2/2007 Chen ..... D14/215

D540,310 S \* 4/2007 Yuyama ..... D14/214

D547,748 S \* 7/2007 Tsuge ..... D14/211

\* cited by examiner

*Primary Examiner*—Nanda Bondade

(74) *Attorney, Agent, or Firm*—Ming Chow; Sinorica, LLC

(57) **CLAIM**

The ornamental design of a surround speaker, as shown and described.

**DESCRIPTION**

FIG. 1 is a perspective view of a “surround speaker” showing the new design;

FIG. 2 is a front view thereof;

FIG. 3 is a left side view thereof;

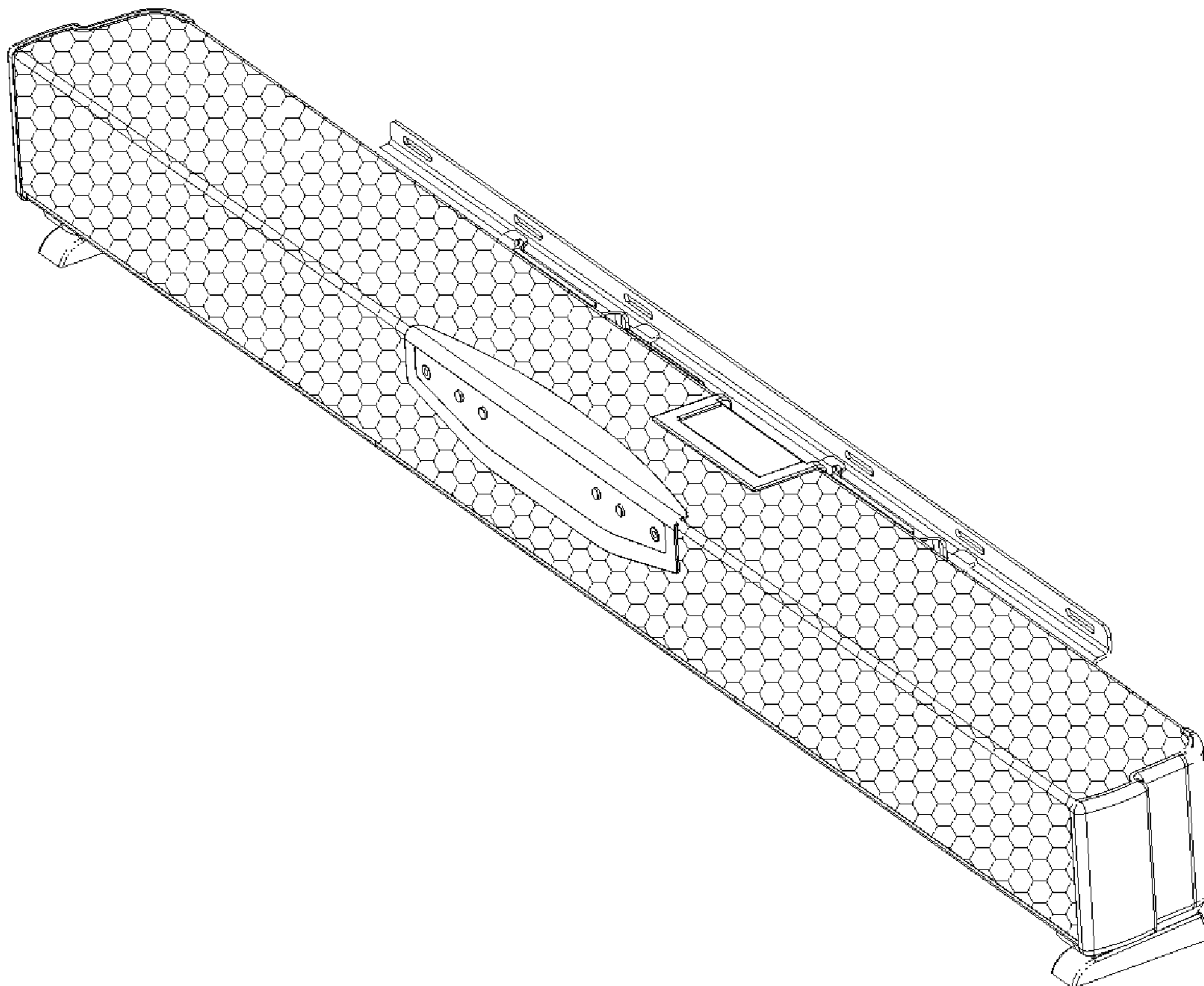
FIG. 4 is a right side view thereof;

FIG. 5 is a rear view thereof;

FIG. 6 is a top view thereof; and,

FIG. 7 is a bottom view thereof.

**1 Claim, 7 Drawing Sheets**



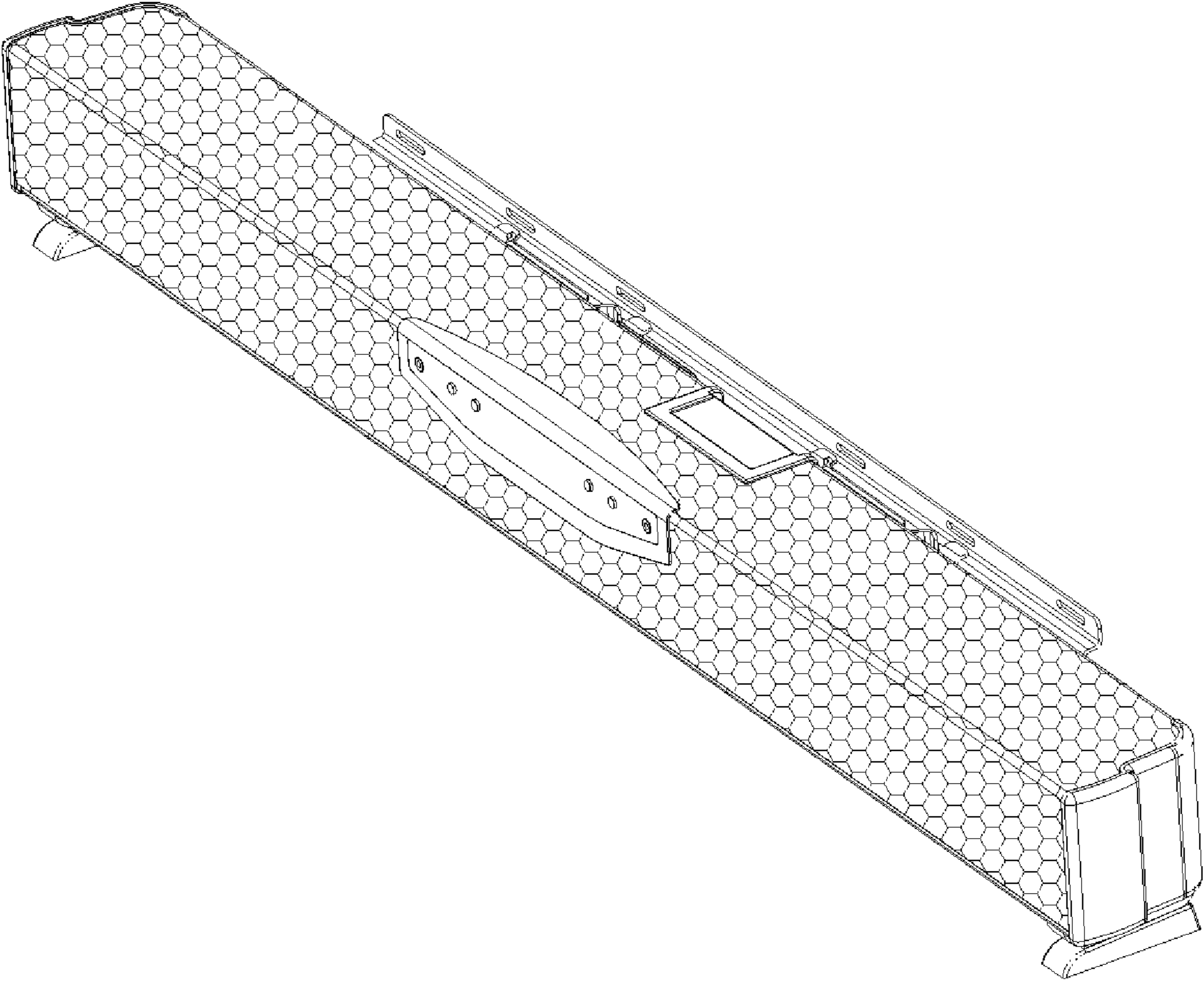


Fig. 1

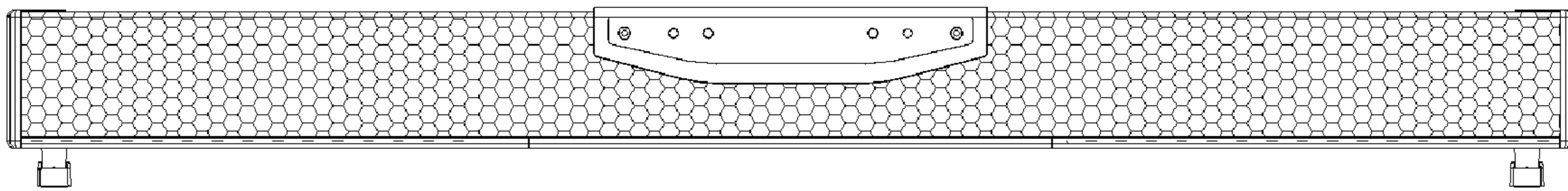


Fig.2

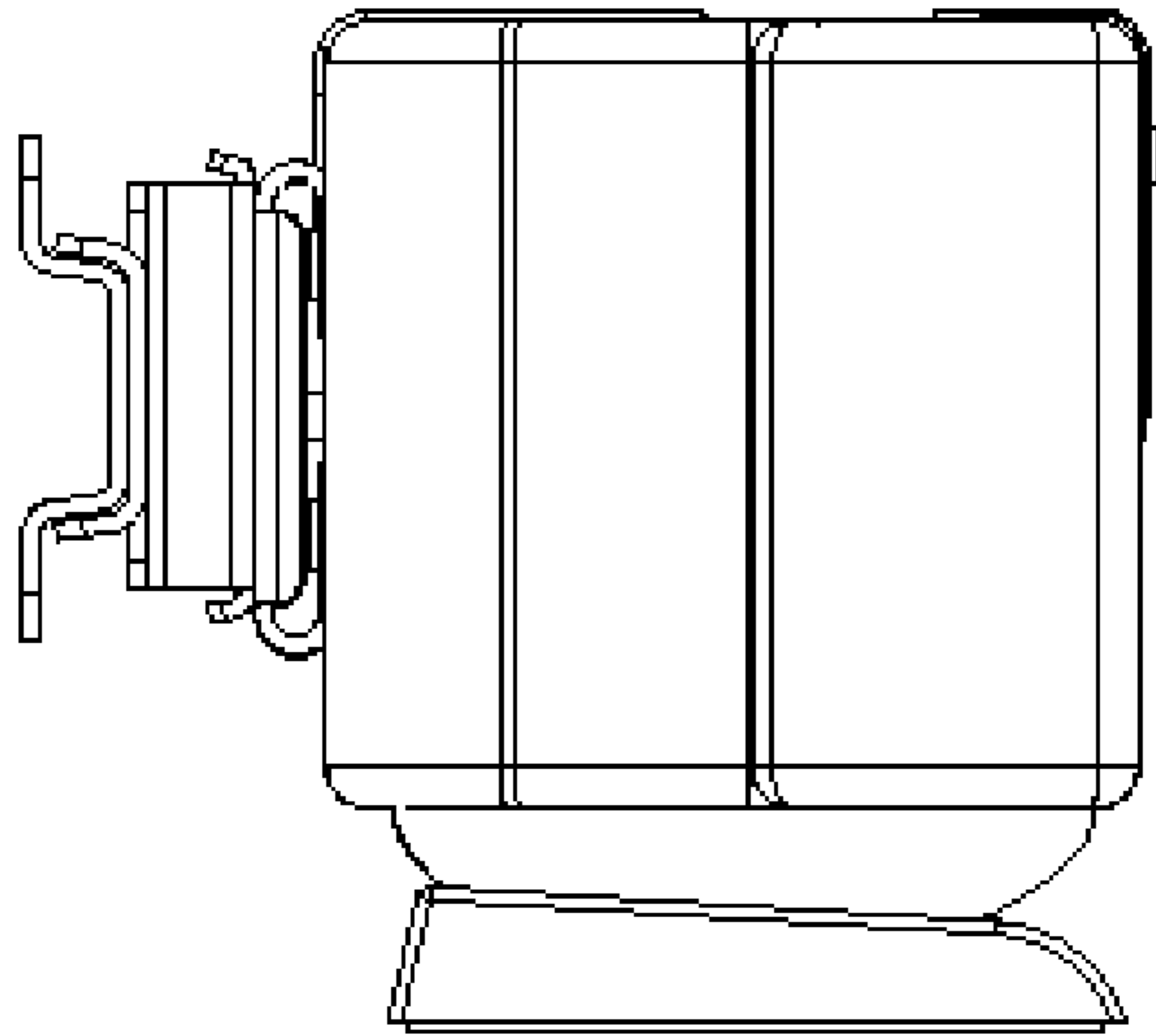


Fig.3

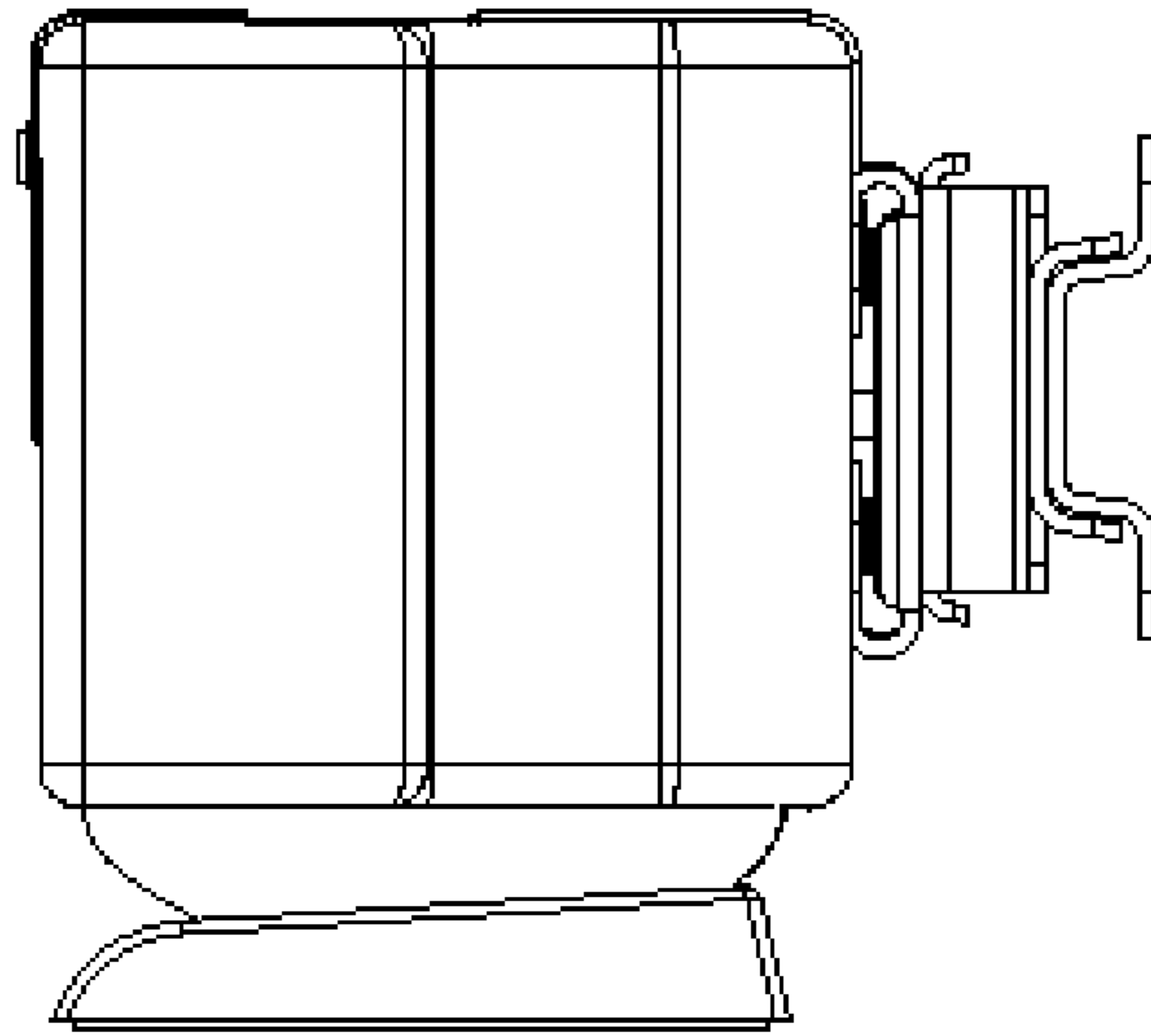


Fig.4

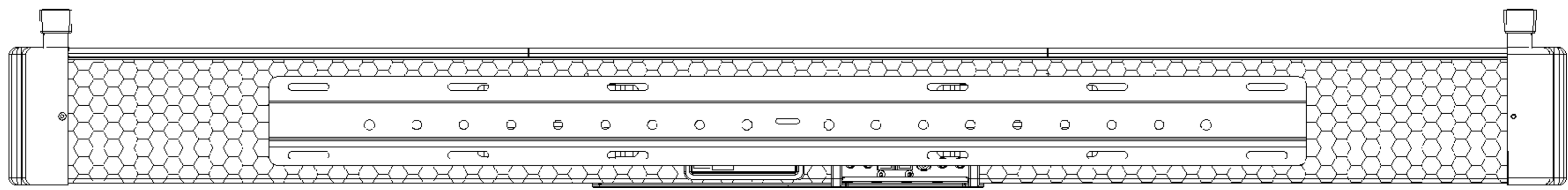


Fig.5

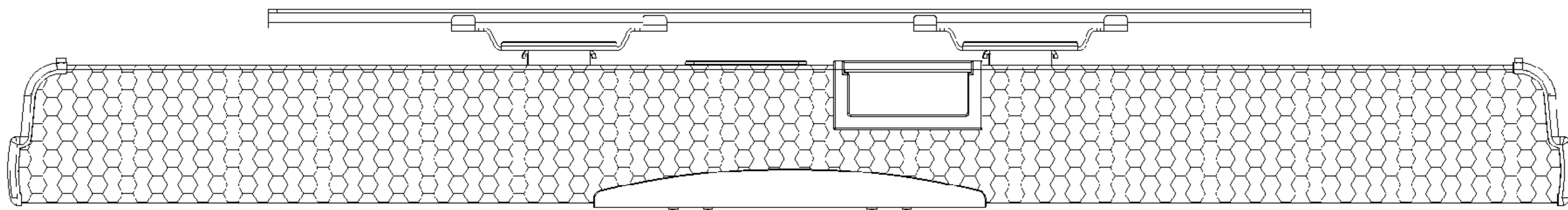


Fig.6

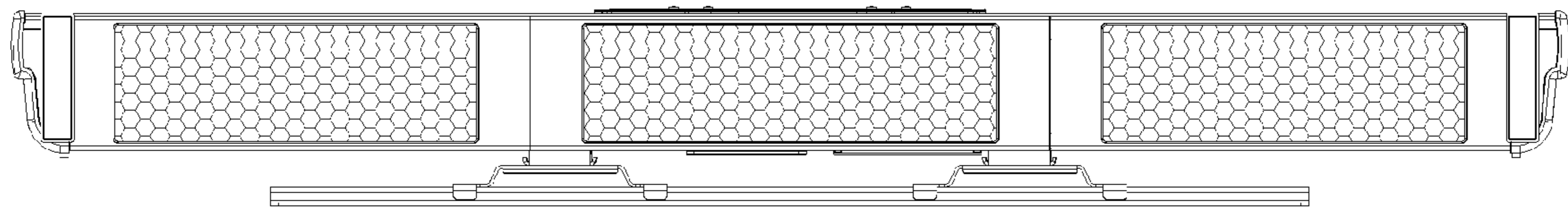


Fig.7