



US00D589936S

(12) **United States Design Patent**
Wada

(10) **Patent No.:** **US D589,936 S**

(45) **Date of Patent:** **** Apr. 7, 2009**

(54) **SPEAKER**

(75) Inventor: **Jo Wada**, Tokyo (JP)

(73) Assignee: **Sony Corporation**, Tokyo (JP)

(**) Term: **14 Years**

(21) Appl. No.: **29/300,201**

(22) Filed: **Feb. 29, 2008**

(30) **Foreign Application Priority Data**

Jan. 23, 2008 (JP) D2008-001202

(51) **LOC (9) Cl.** **14-01**

(52) **U.S. Cl.** **D14/211**

(58) **Field of Classification Search** D14/204,
D14/210–216, 172; 181/143–144, 147–148,
181/150–153, 157, 198–199; 381/300–303,
381/306, 332–333, 336, 345, 361–364, 386–388
See application file for complete search history.

(56) **References Cited**

U.S. PATENT DOCUMENTS

D401,585 S 11/1998 Boyd
D437,843 S 2/2001 Masui
D448,753 S * 10/2001 Masui D14/214
D451,085 S 11/2001 Masui
D452,855 S 1/2002 Ota
D465,212 S * 11/2002 Lytel D14/215

D481,705 S * 11/2003 Homewood et al. D14/214
D488,459 S 4/2004 Ota
D498,229 S * 11/2004 Allen D14/211
D540,779 S * 4/2007 Joseph D14/211

FOREIGN PATENT DOCUMENTS

JP D1145726 S 5/2002

* cited by examiner

Primary Examiner—Nanda Bondade

(74) *Attorney, Agent, or Firm*—Rader, Fishman & Grauer, PLLC

(57) **CLAIM**

The ornamental design for a speaker, as shown and described.

DESCRIPTION

FIG. 1 is a front perspective view of a speaker showing my new design;

FIG. 2 is a front elevational view thereof;

FIG. 3 is a rear elevational view thereof;

FIG. 4 is a left side elevational view thereof;

FIG. 5 is a right side elevational view thereof;

FIG. 6 is a top plan view thereof; and,

FIG. 7 is a bottom plan view thereof.

The portions indicated in broken lines are for illustrative purposes only and form no part of the claimed design.

1 Claim, 7 Drawing Sheets

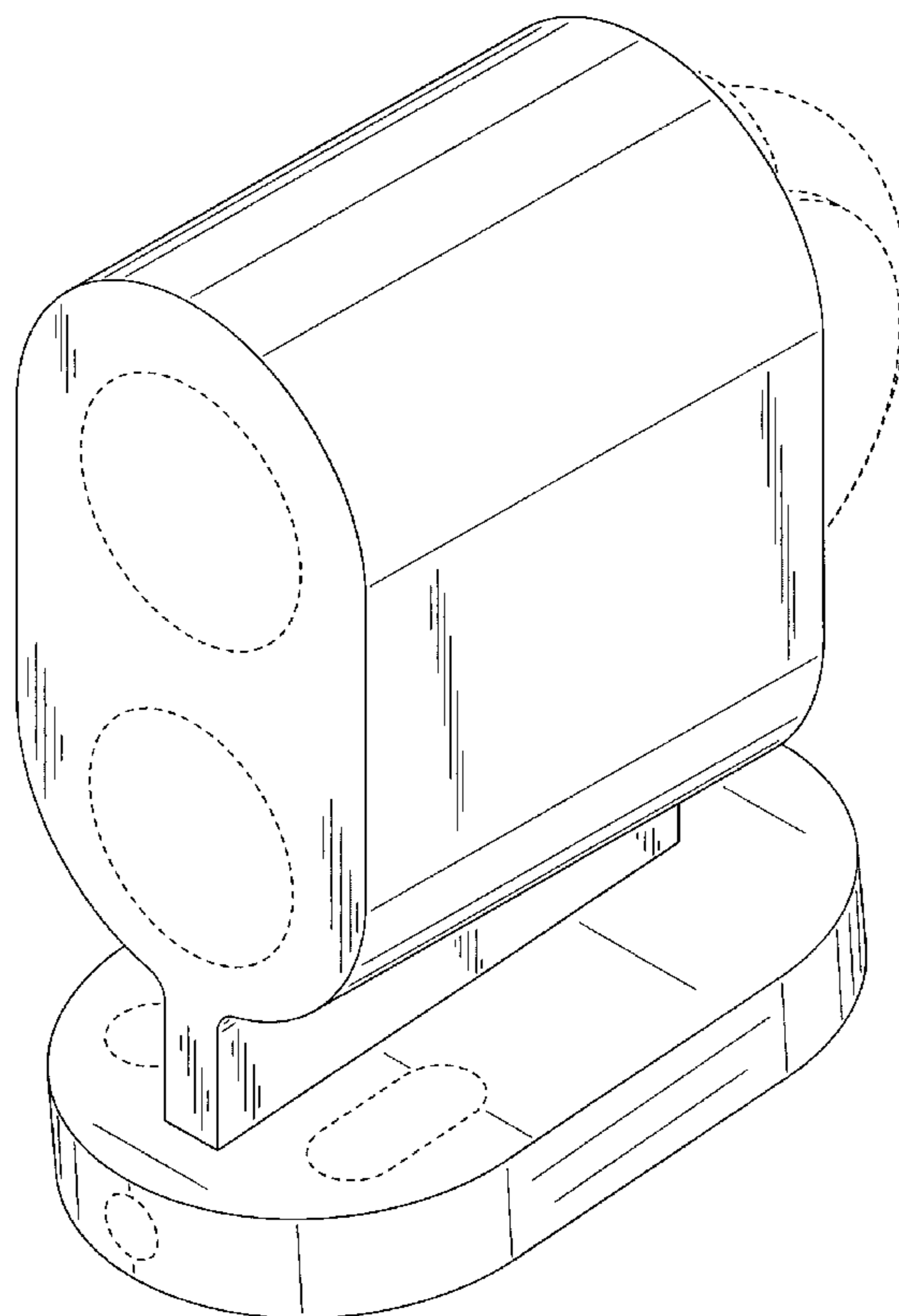


FIG. 1

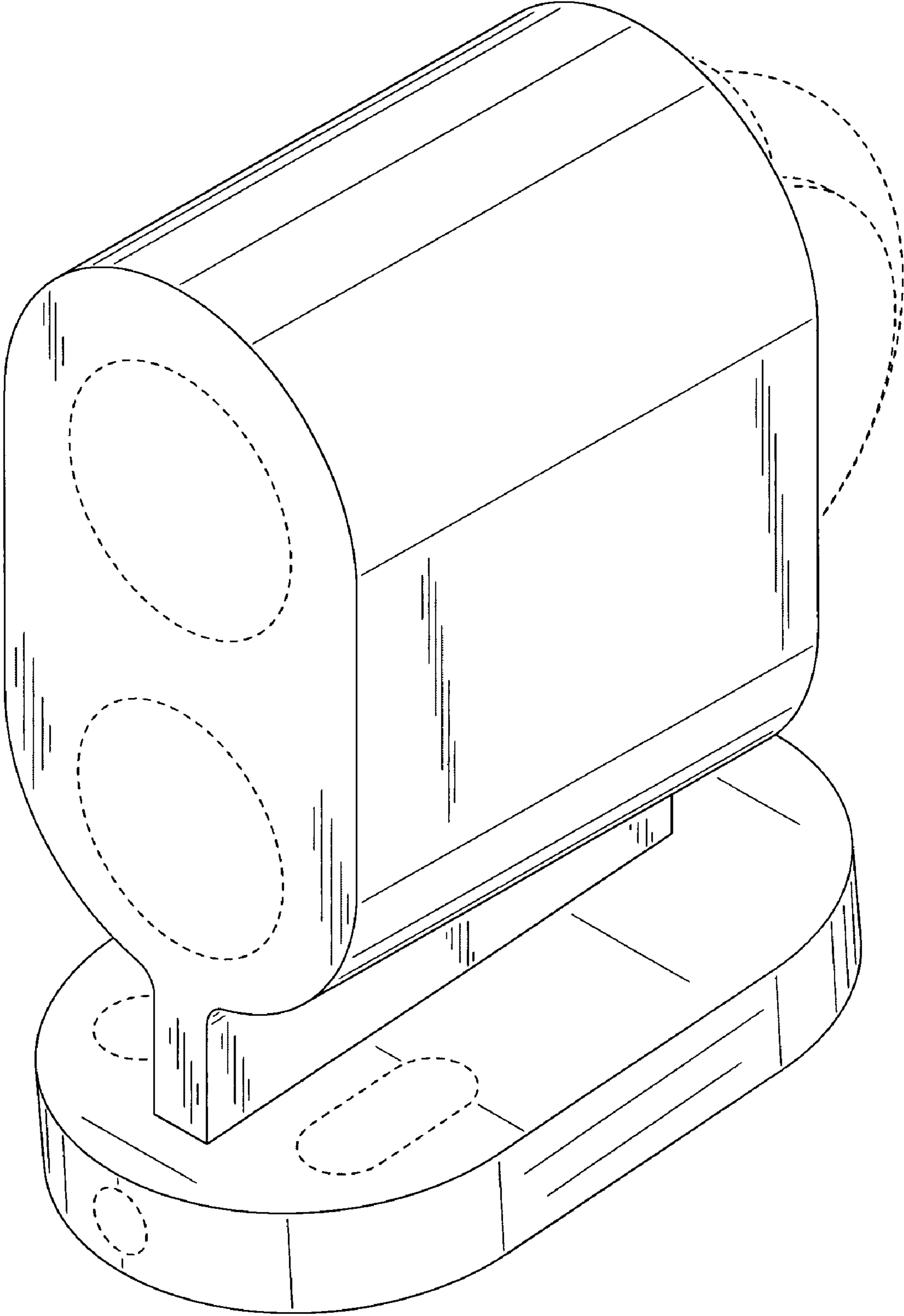


FIG.2

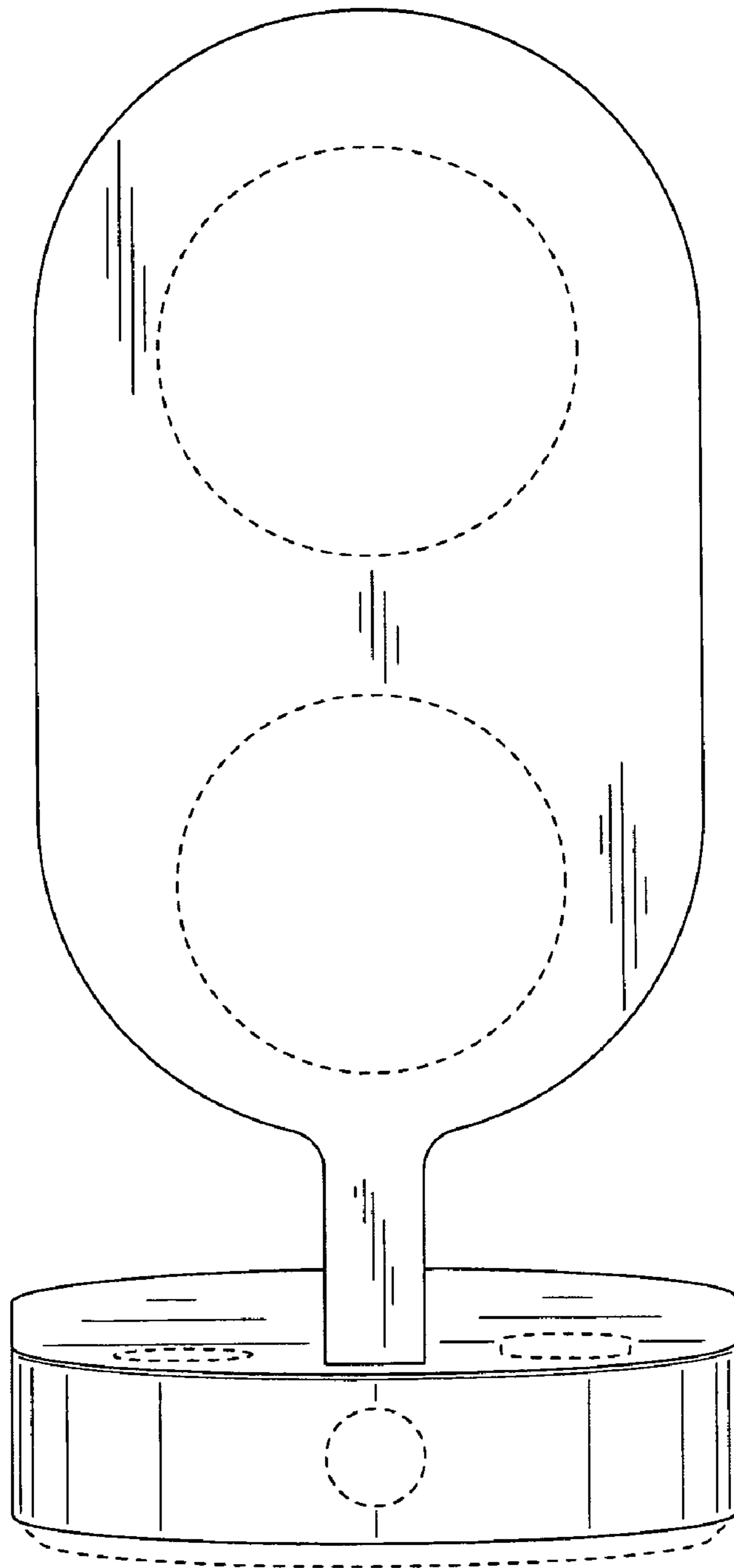


FIG.3

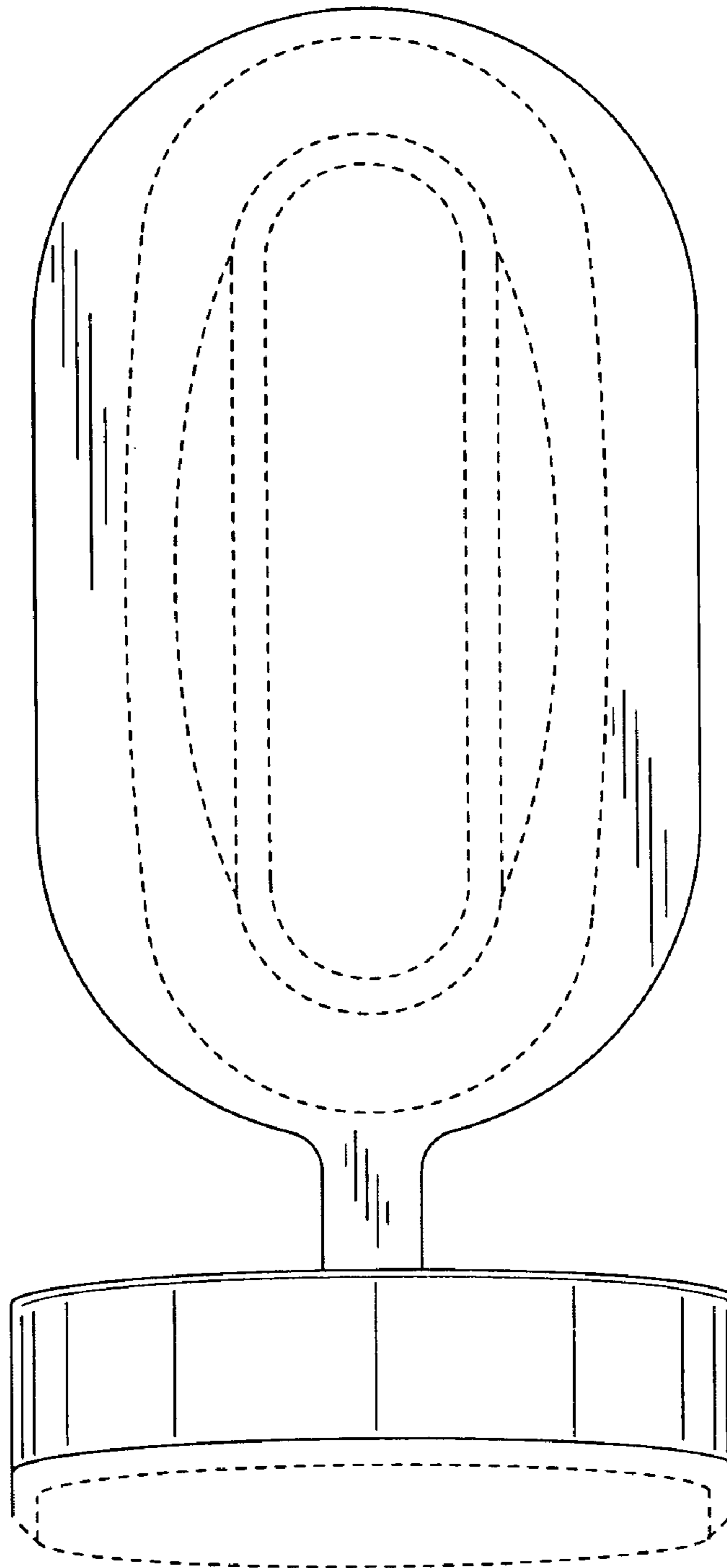


FIG.4

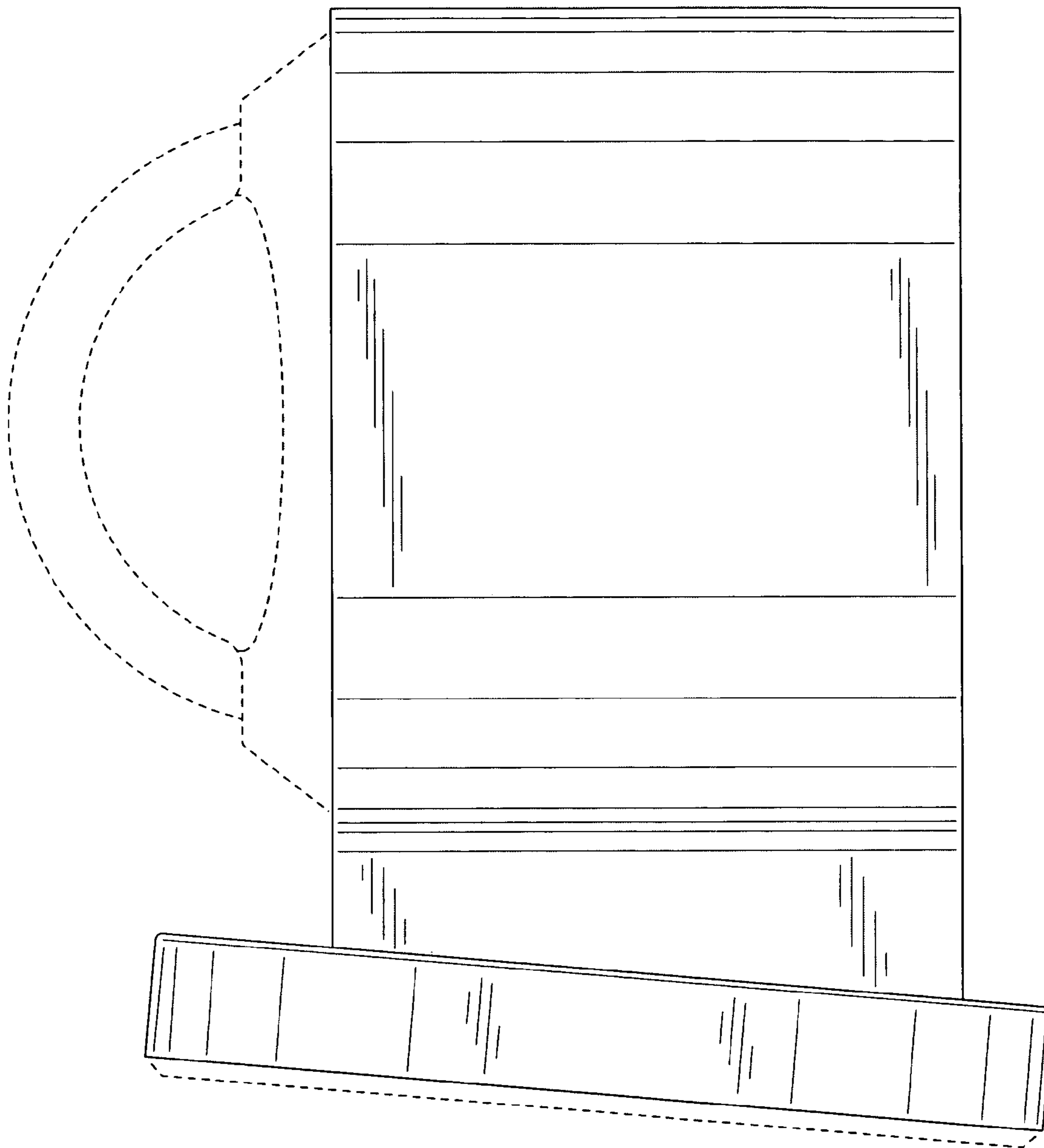


FIG.5

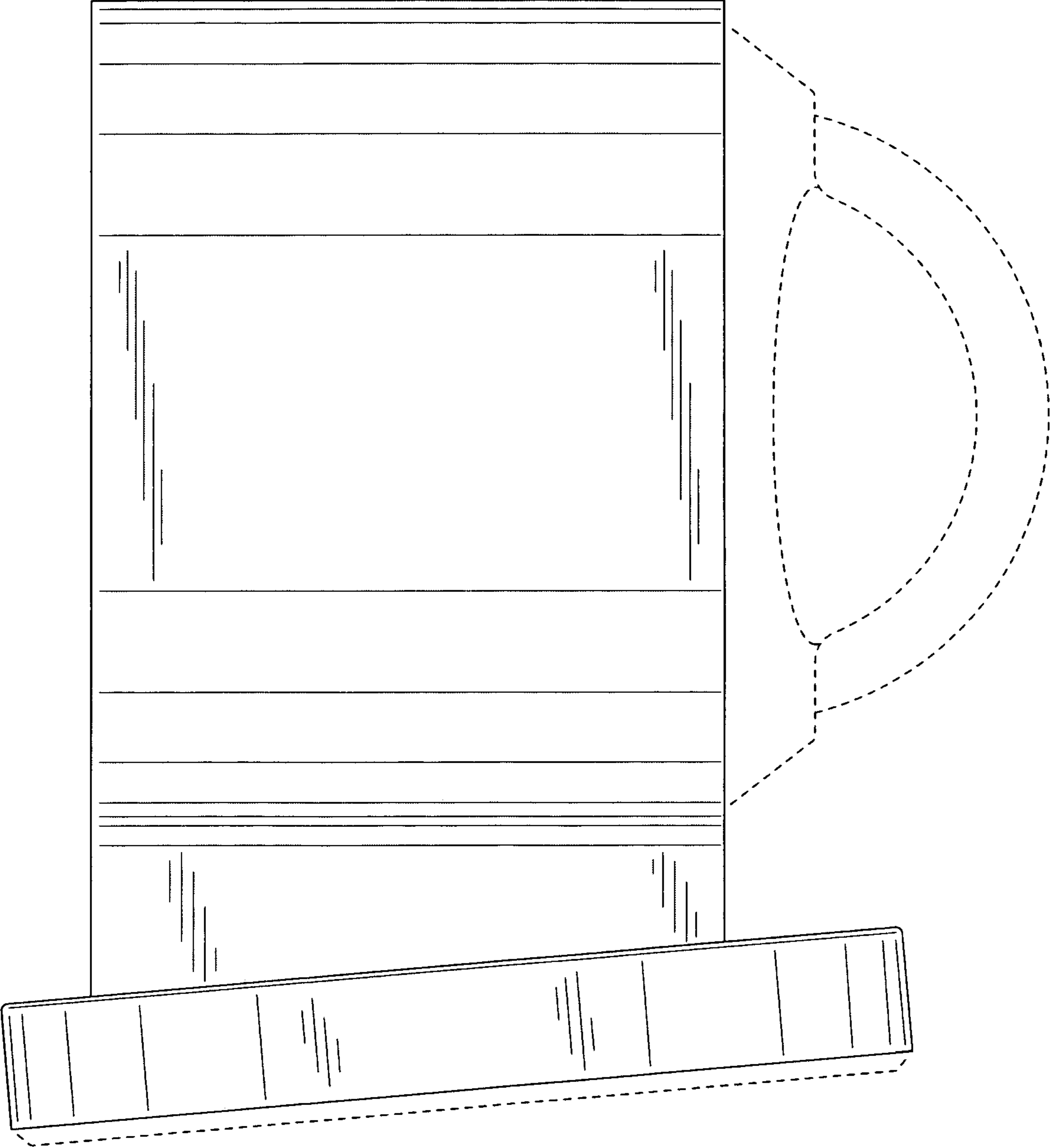


FIG.6

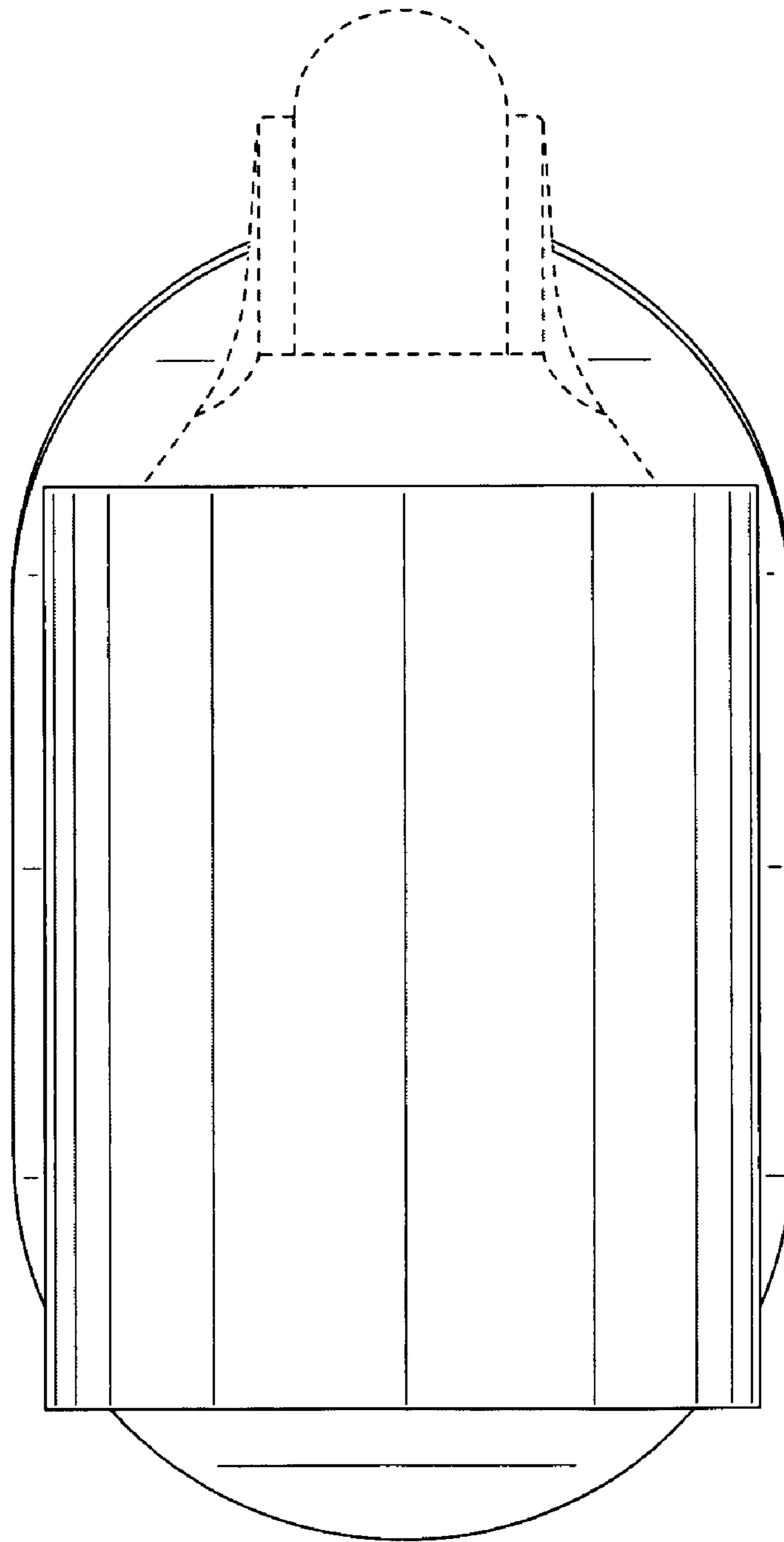


FIG.7

