



US00D589934S

(12) **United States Design Patent**  
**Esses**

(10) **Patent No.:** **US D589,934 S**  
(45) **Date of Patent:** **\*\* Apr. 7, 2009**

(54) **CELL PHONE HEADSET**

(75) Inventor: **Sam A. Esses**, Brooklyn, NY (US)

(73) Assignee: **Powercam, Inc.**, Brooklyn, NY (US)

(\*\*) Term: **14 Years**

(21) Appl. No.: **29/307,400**

(22) Filed: **Apr. 17, 2008**

(51) **LOC (9) Cl.** ..... **14-01**

(52) **U.S. Cl.** ..... **D14/206**

(58) **Field of Classification Search** ..... D14/205,  
D14/206, 223, 142, 188, 192; 181/129, 130;  
379/430, 431; 380/380, 381; 455/41.1, 90.3,  
455/575.2; 2/209; D29/112

See application file for complete search history.

(56) **References Cited**

**U.S. PATENT DOCUMENTS**

D342,947 S *	1/1994	Totsuka	.....	D14/192
D394,437 S *	5/1998	Landreth et al.	.....	D14/206
D443,870 S *	6/2001	Carpenter et al.	.....	D14/206
D459,337 S *	6/2002	Mori	.....	D14/192
6,622,029 B1 *	9/2003	Skulley et al.	.....	455/575.2
D505,413 S *	5/2005	Skulley et al.	.....	D14/223
D514,086 S *	1/2006	Skulley	.....	D14/206
D517,528 S *	3/2006	Skulley	.....	D14/206
D529,900 S *	10/2006	Skulley et al.	.....	D14/223

D530,307 S *	10/2006	Rath	.....	D14/206
D530,702 S *	10/2006	Pritchard et al.	.....	D14/206
D531,165 S *	10/2006	Rath	.....	D14/206
D535,286 S *	1/2007	Brennwald	.....	D14/206
D538,785 S *	3/2007	Skulley	.....	D14/206
D540,303 S *	4/2007	Rausch et al.	.....	D14/205
D540,777 S *	4/2007	Rausch et al.	.....	D14/205
D540,778 S *	4/2007	Thompson et al.	.....	D14/206
D549,216 S *	8/2007	Viduya et al.	.....	D14/206

\* cited by examiner

*Primary Examiner*—Paula Greene

(74) *Attorney, Agent, or Firm*—Ezra Sutton

(57) **CLAIM**

The ornamental design for a cell phone headset, as shown and described.

**DESCRIPTION**

FIG. 1 is a front perspective view of a cell phone headset embodying my new design;

FIG. 2 is a front elevational view thereof;

FIG. 3 is a rear elevational view thereof;

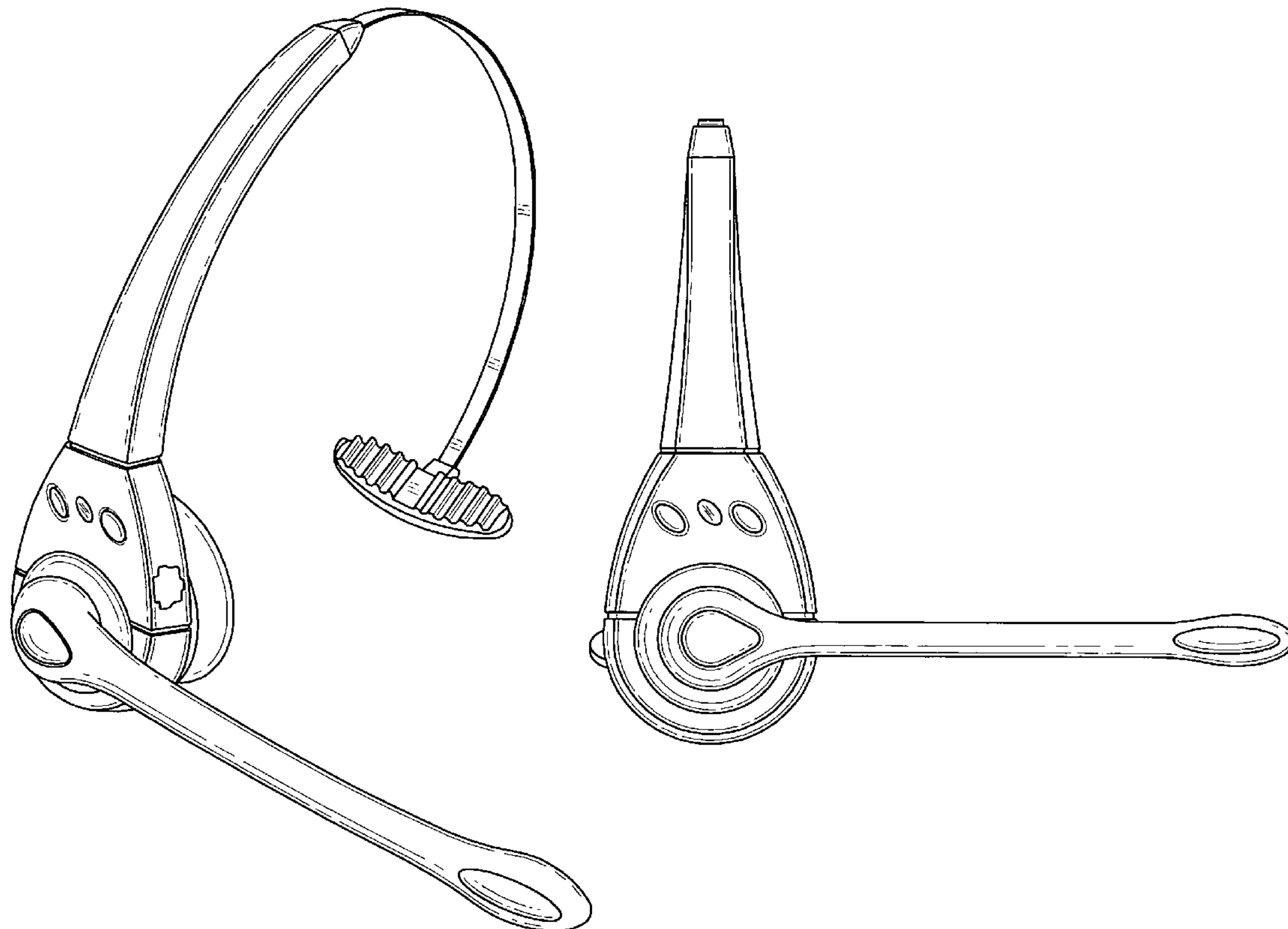
FIG. 4 is a left side elevational view thereof;

FIG. 5 is a right side elevational view thereof;

FIG. 6 is a top plan view thereof; and,

FIG. 7 is a bottom plan view thereof.

**1 Claim, 7 Drawing Sheets**



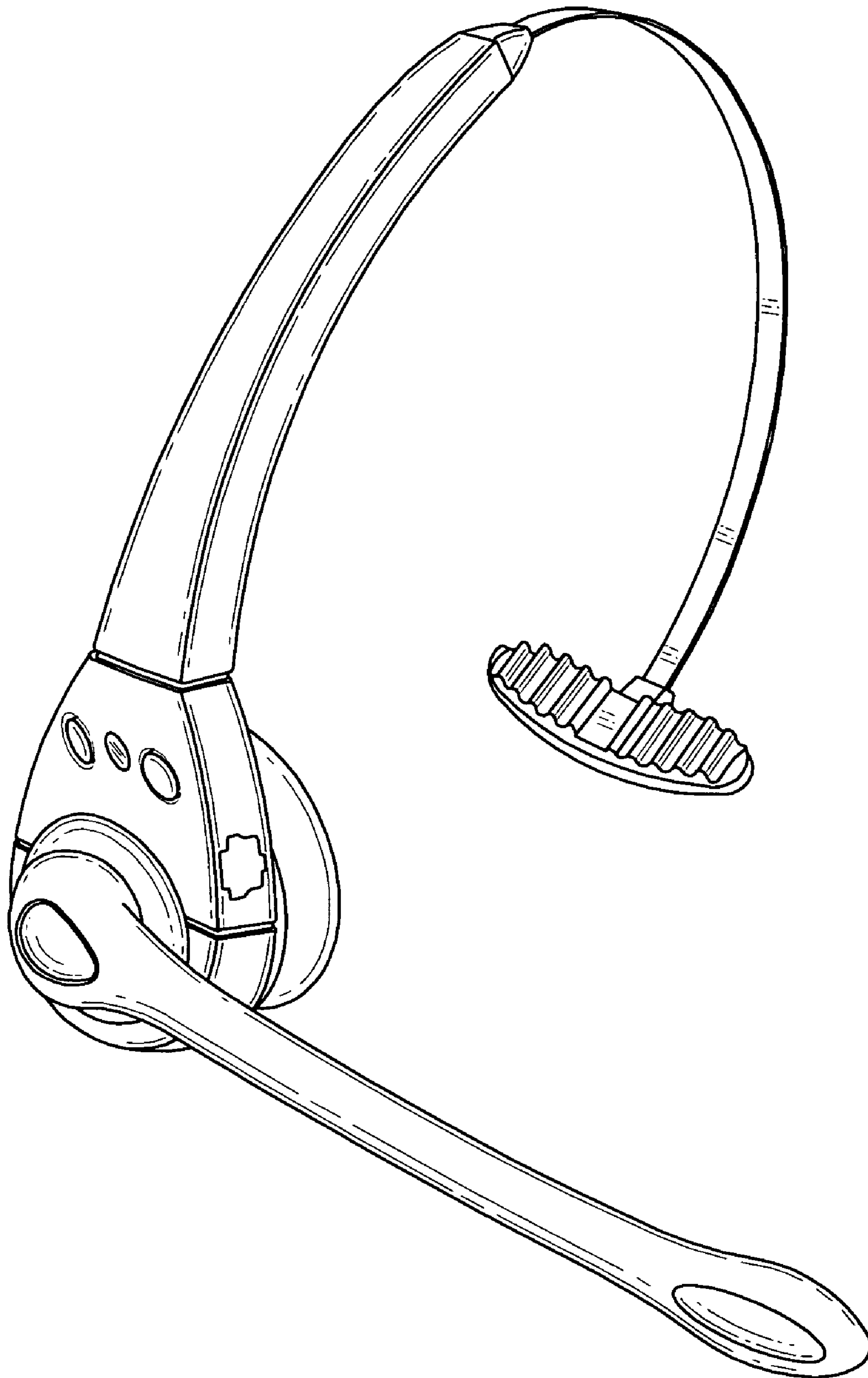


FIG. 1

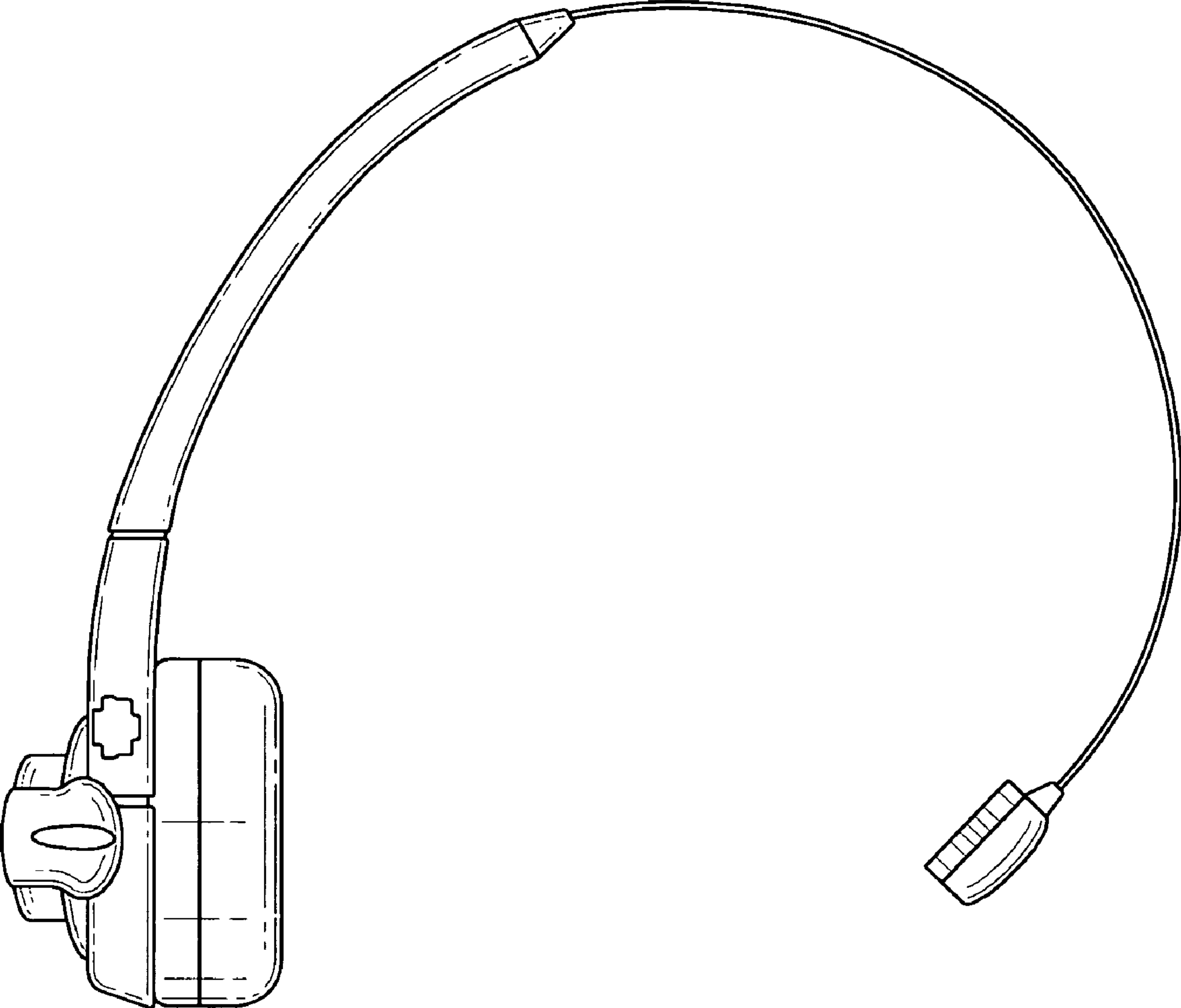
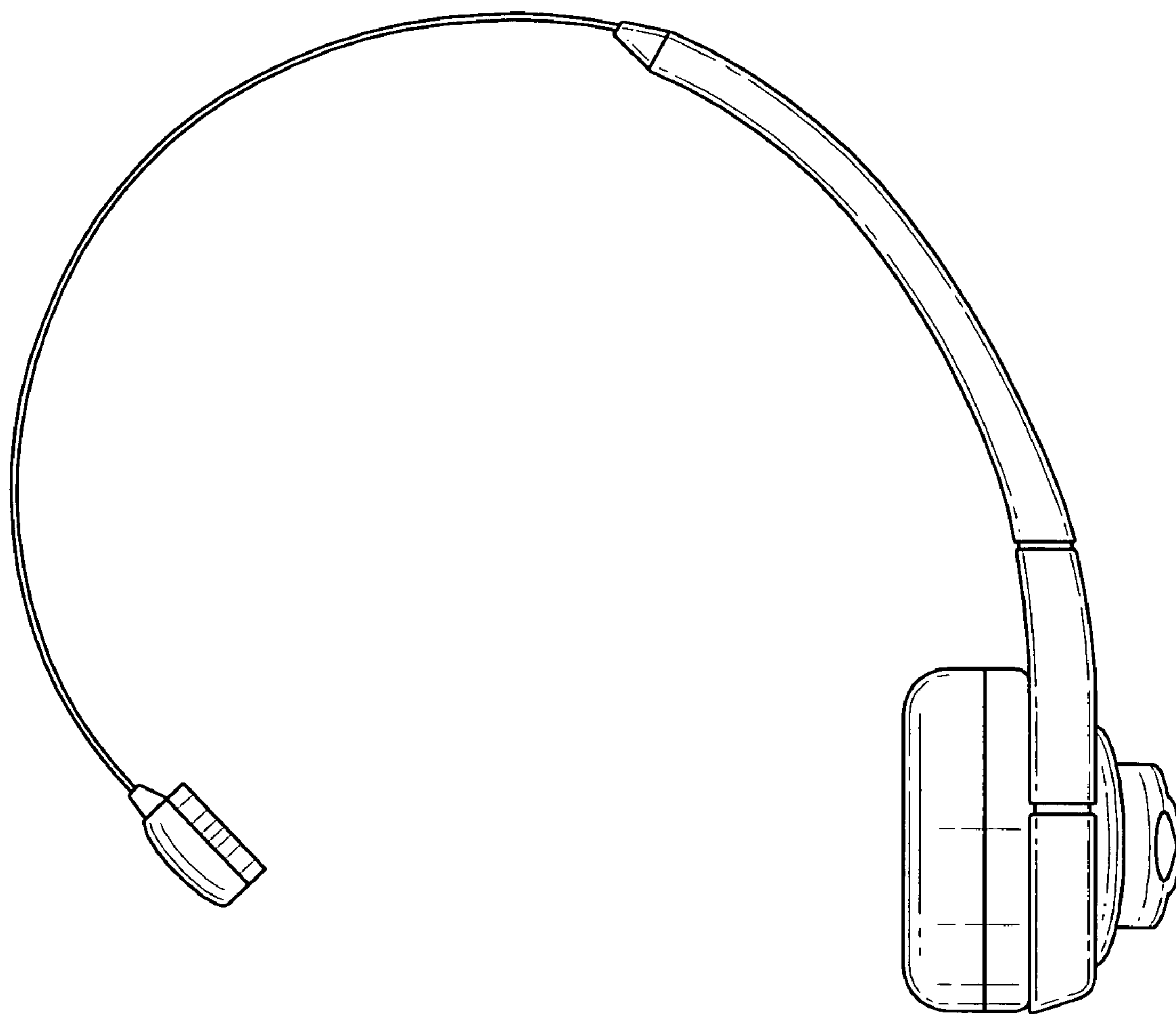
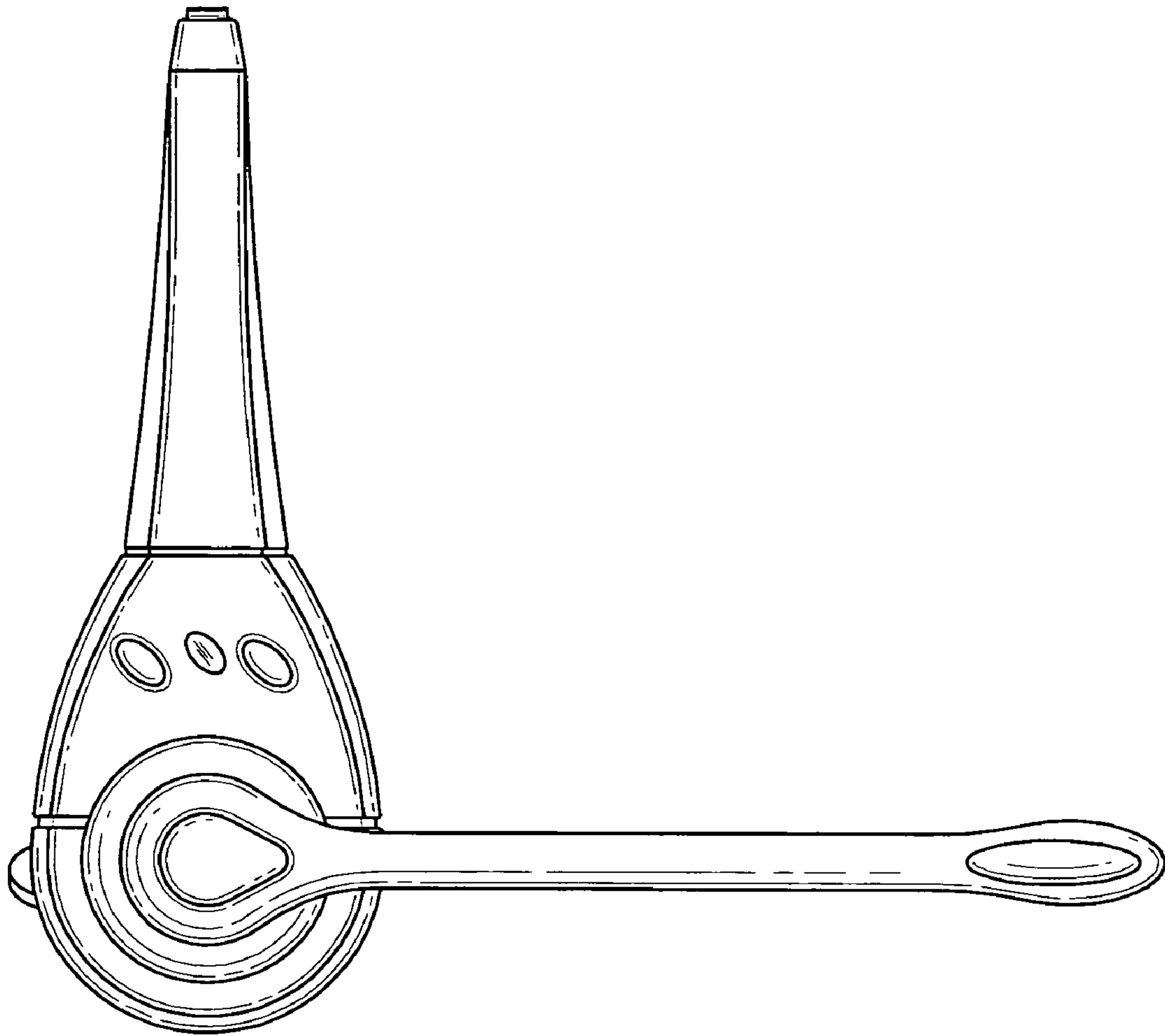


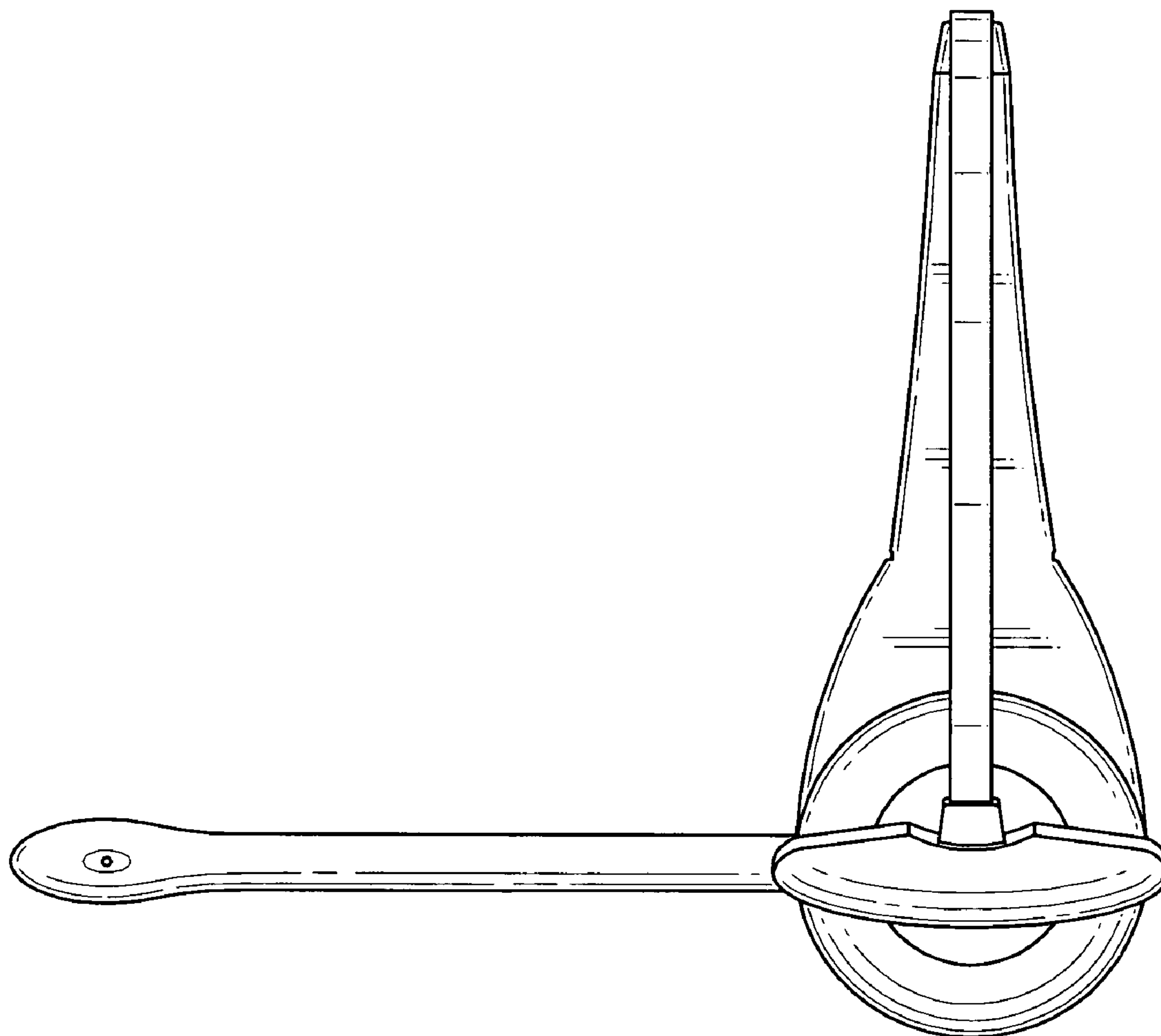
FIG. 2



*FIG. 3*



*FIG. 4*



*FIG. 5*

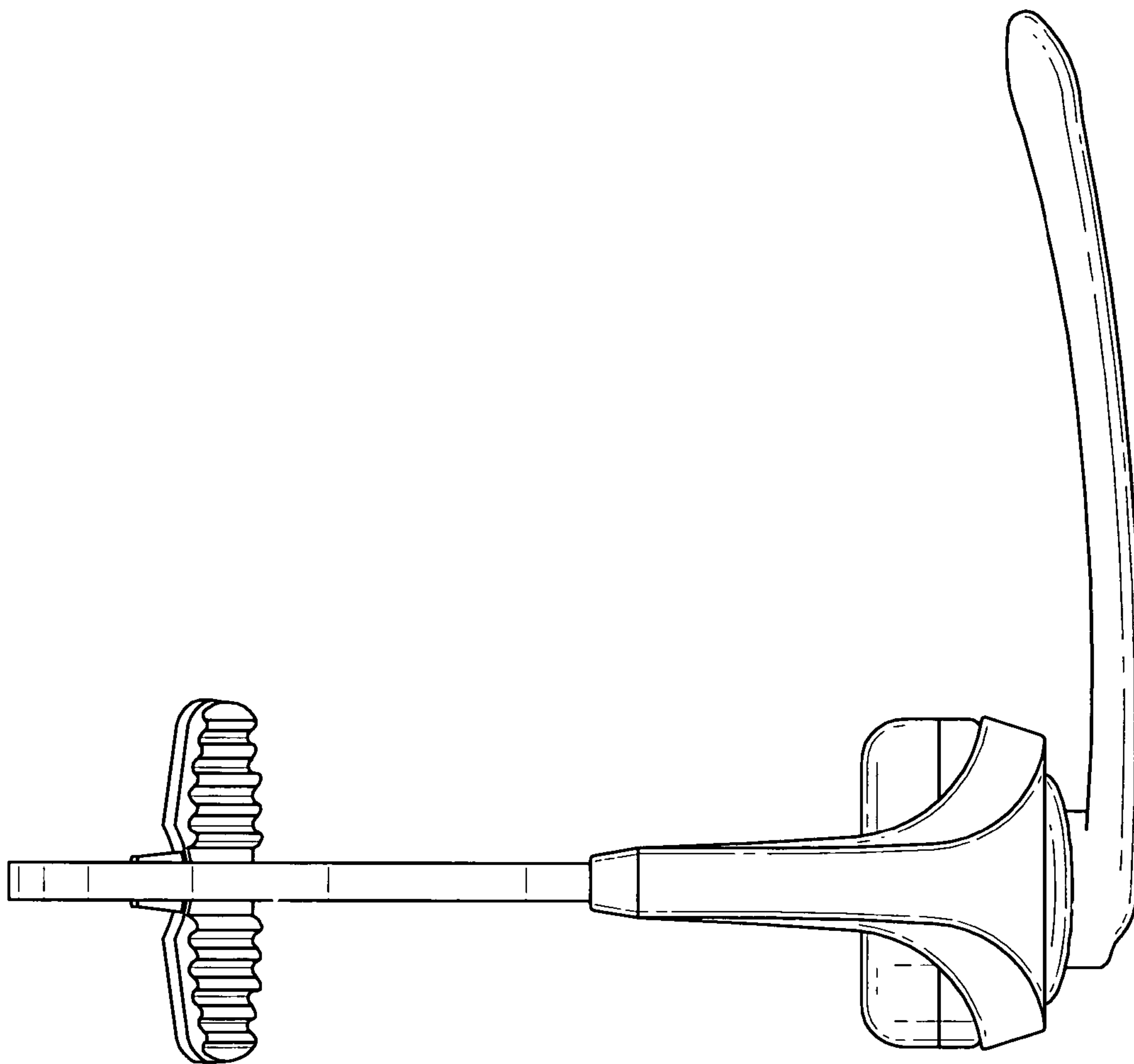


FIG. 6



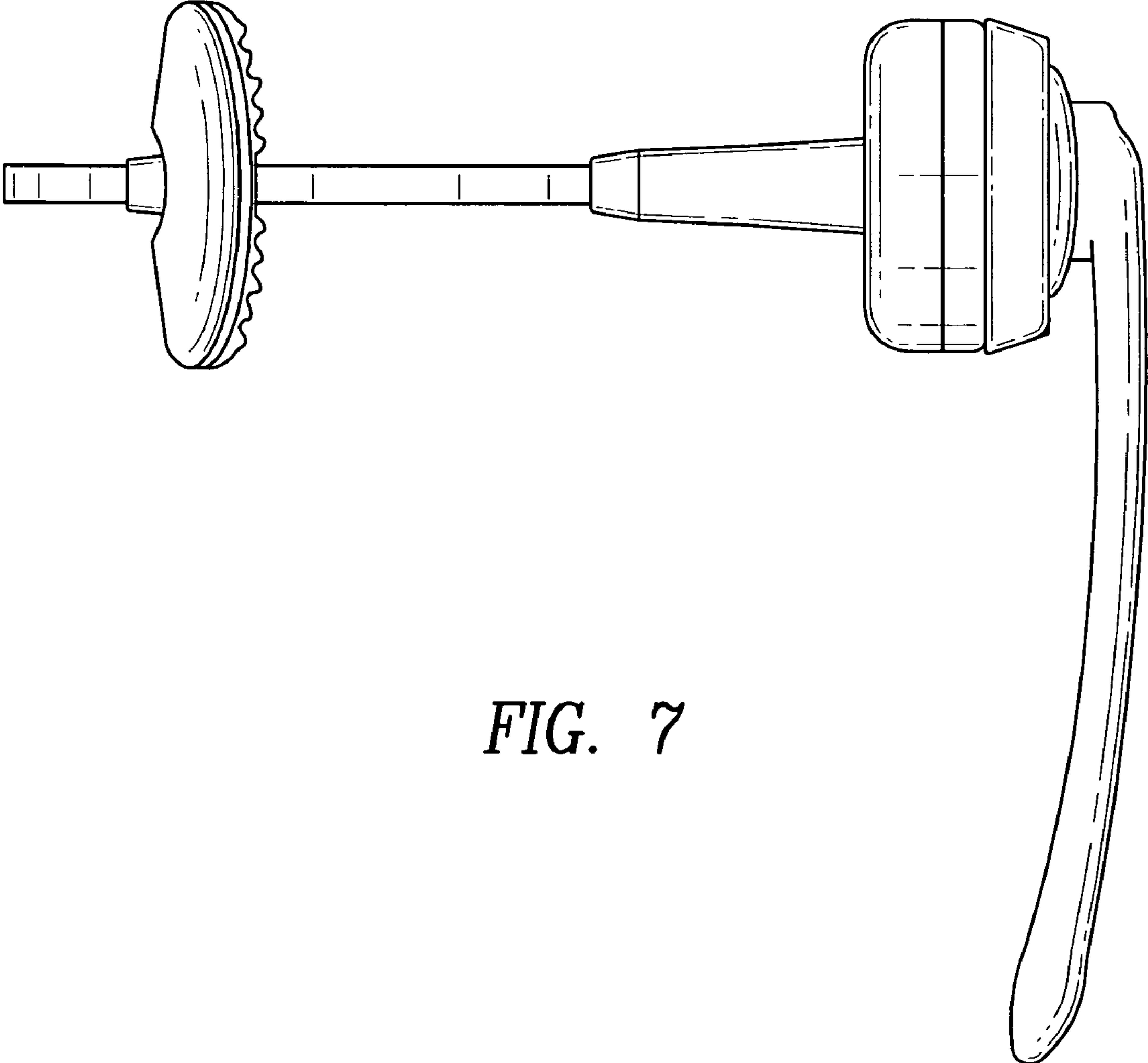


FIG. 7