



US00D589930S

(12) **United States Design Patent**  
**McGeeney**

(10) **Patent No.:** **US D589,930 S**

(45) **Date of Patent:** **\*\* Apr. 7, 2009**

(54) **RECHARGING AND DOCKING STATION  
DESK VALET**

*Primary Examiner*—Nanda Bondade  
(74) *Attorney, Agent, or Firm*—Philip H. Haymond

(76) **Inventor:** **Robert J. McGeeney**, 18017 Skypark  
Cir., Ste. C, Irvine, CA (US) 92614

(57) **CLAIM**

The ornamental design for a recharging and docking station desk valet, as shown and described.

(\*\*) **Term:** **14 Years**

(21) **Appl. No.:** **29/308,030**

(22) **Filed:** **May 23, 2008**

(51) **LOC (9) Cl.** ..... **14-01**

(52) **U.S. Cl.** ..... **D14/172; D14/214**

(58) **Field of Classification Search** ..... D14/204,  
D14/210–21, 172, 168; 181/143–144, 147–148,  
181/150–153, 157, 198–199; 381/300–303,  
381/306, 332–333, 336, 345, 361–364, 386–388  
See application file for complete search history.

**DESCRIPTION**

FIG. 1 is a perspective view of a design for a recharging and docking station desk valet.

FIG. 2 is a front view thereof;

FIG. 3 is a rear view thereof;

FIG. 4 is a top view thereof;

FIG. 5 is a bottom view thereof;

FIG. 6 is a right side view thereof; and,

FIG. 7 is a left side view thereof.

The broken line showing on the drawing disclosure is for illustrative purposes only and forms no part of the claimed design.

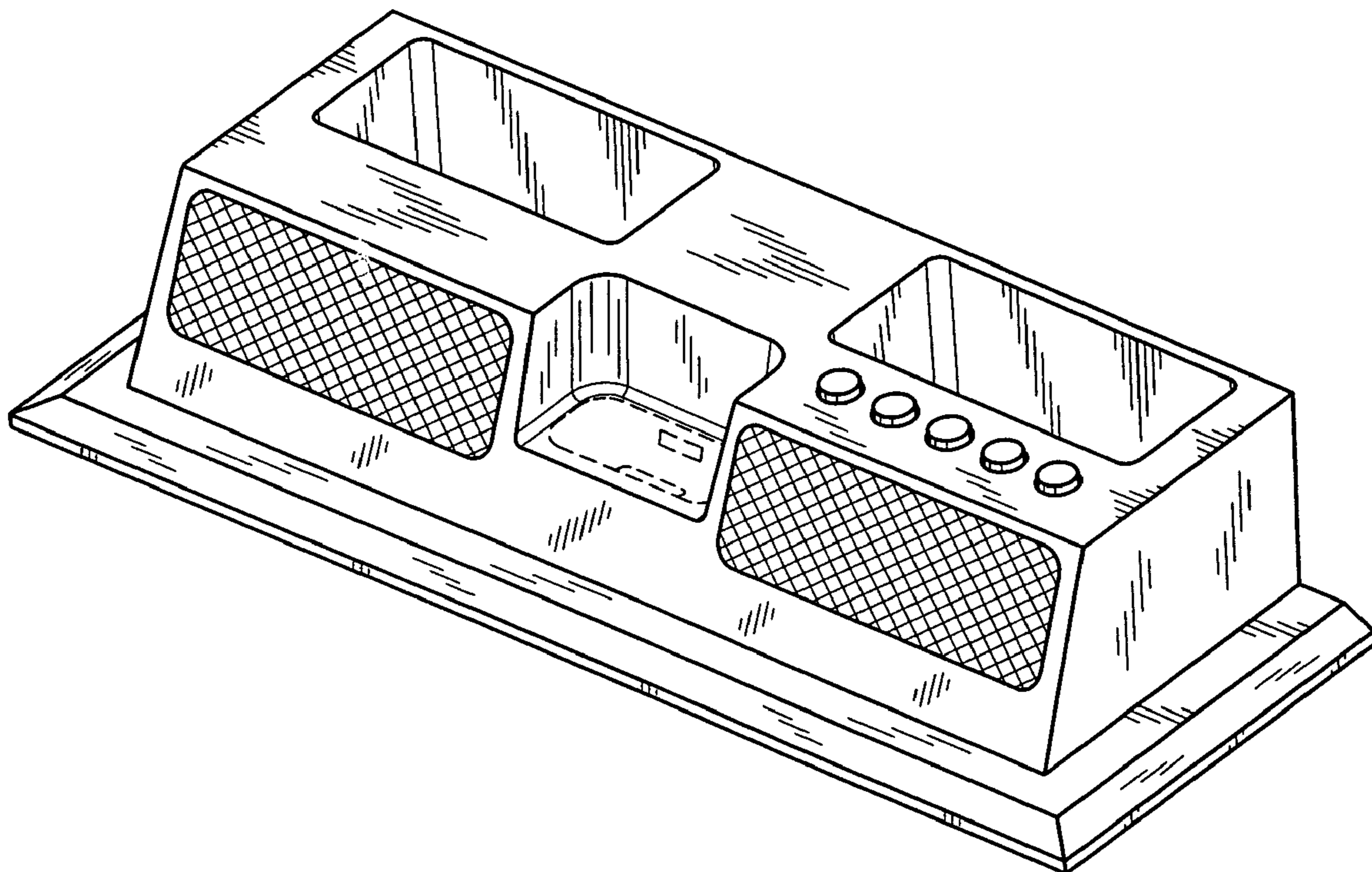
(56) **References Cited**

**U.S. PATENT DOCUMENTS**

D359,492 S *	6/1995	Dyas	.....	D14/214
D360,637 S *	7/1995	Arie	.....	D14/214
7,095,867 B2 *	8/2006	Schul et al.	.....	381/386
D540,781 S *	4/2007	Patel et al.	.....	D14/214

\* cited by examiner

**1 Claim, 4 Drawing Sheets**



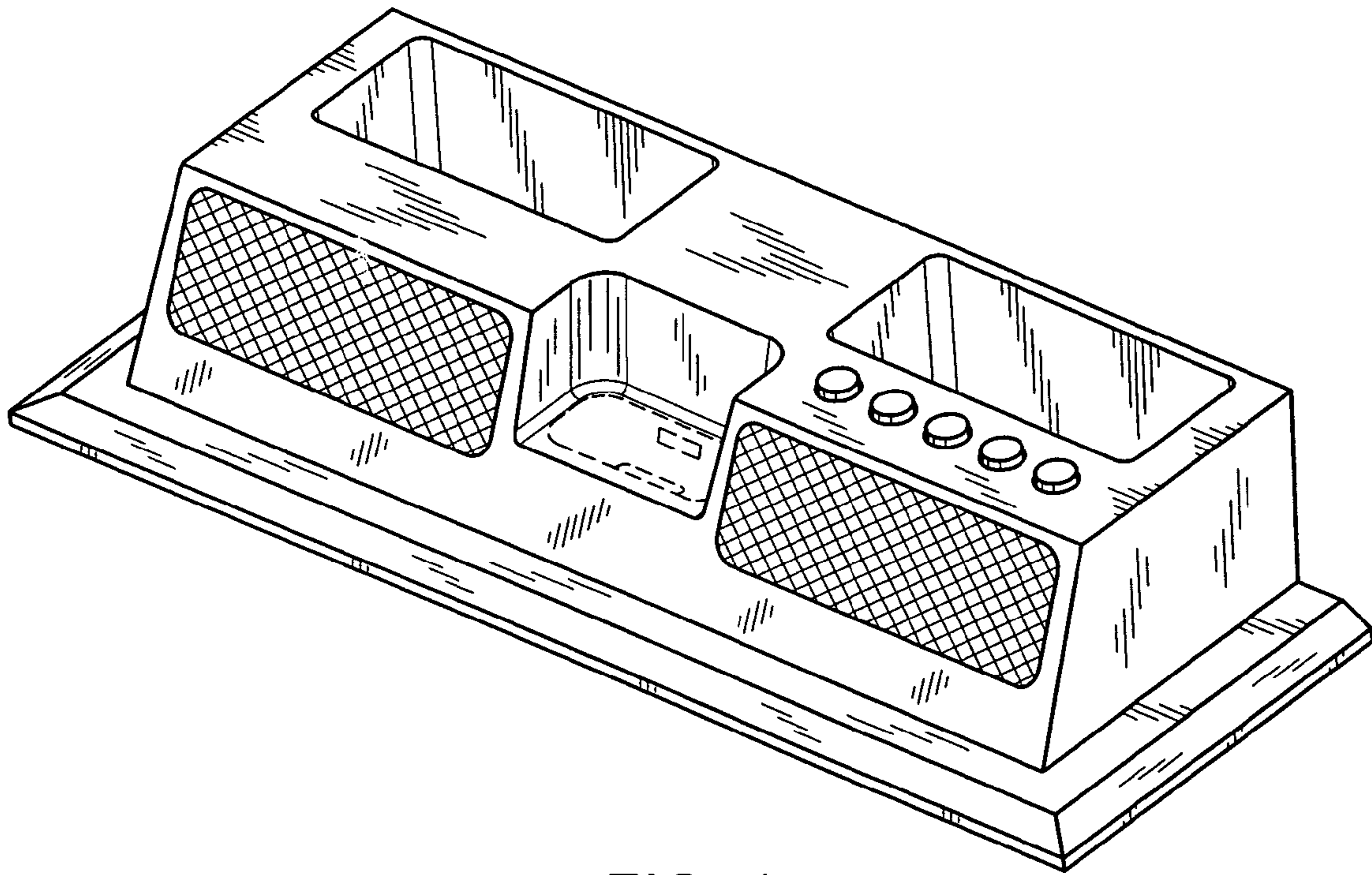


FIG. 1

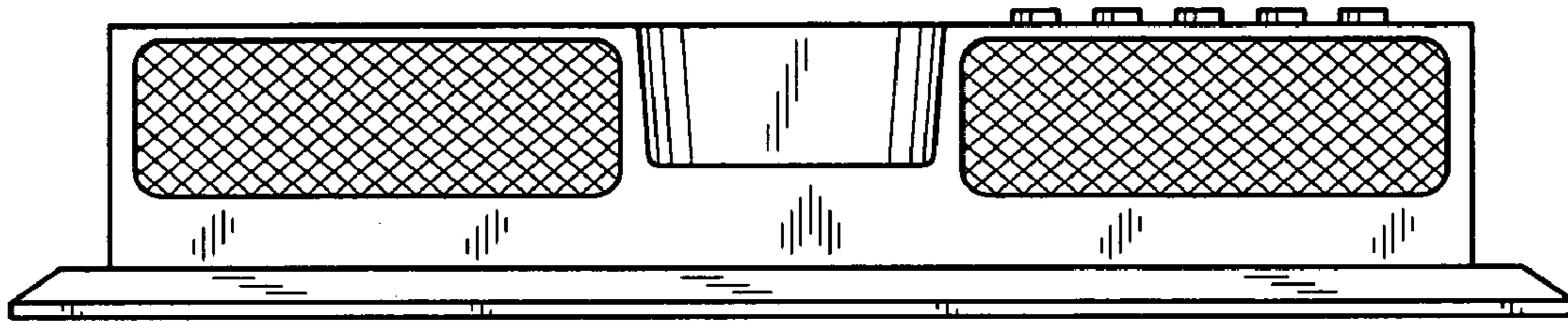


FIG. 2

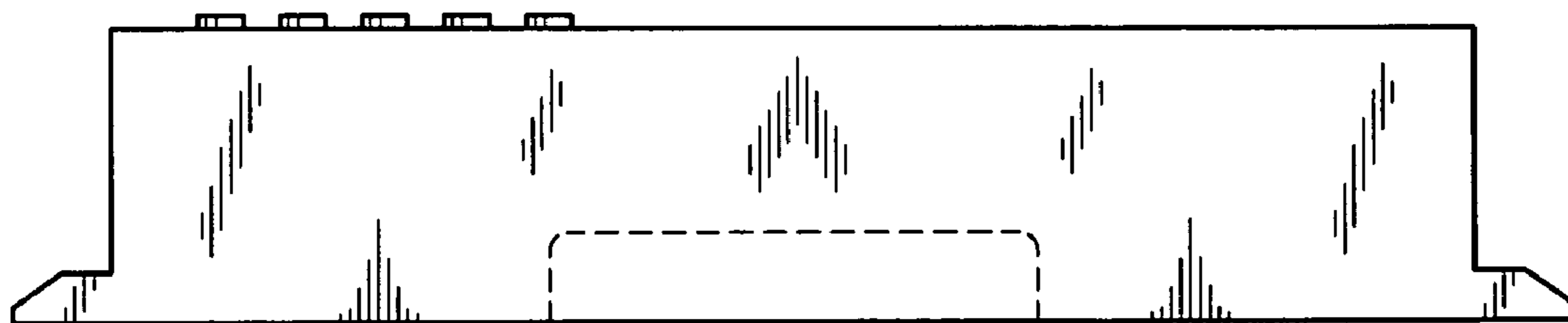


FIG. 3

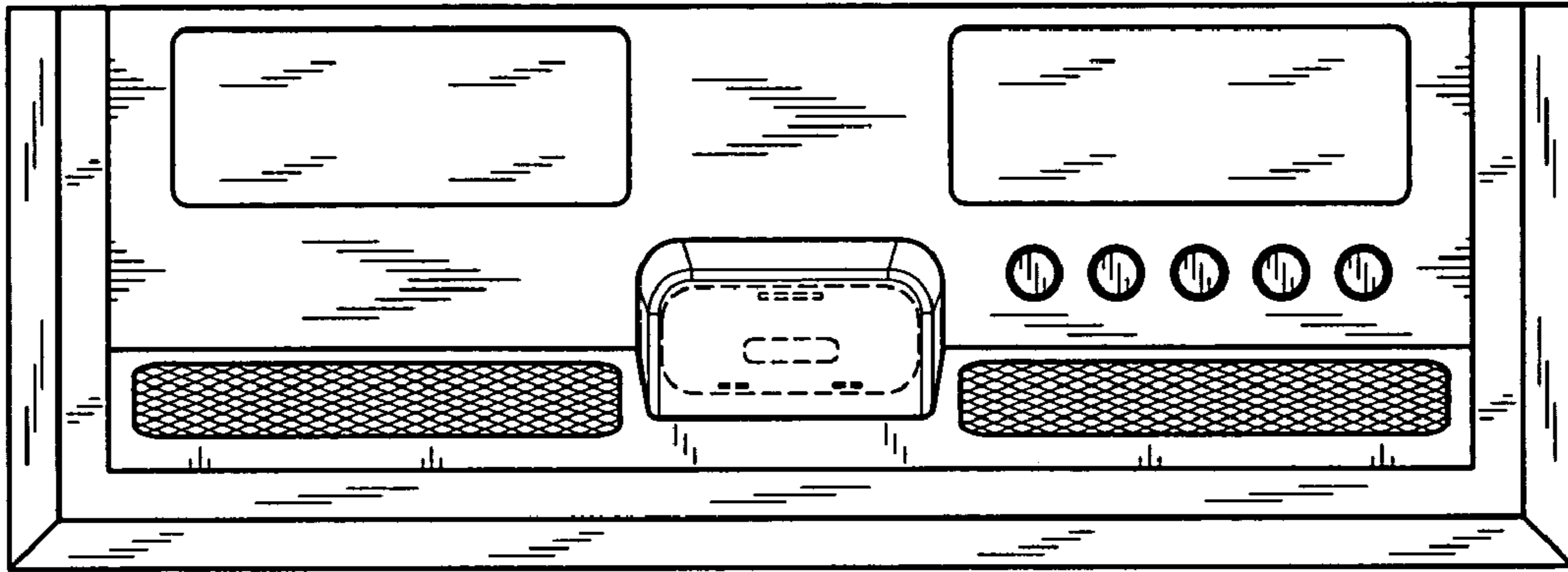


FIG. 4

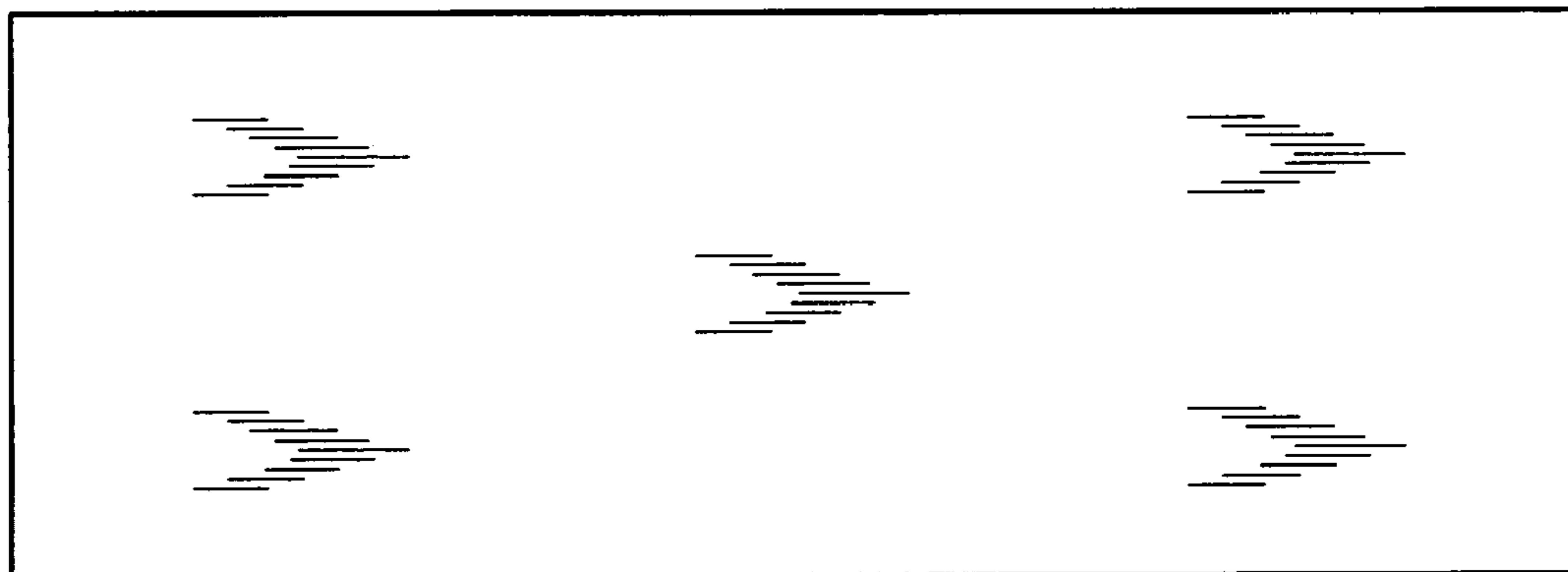
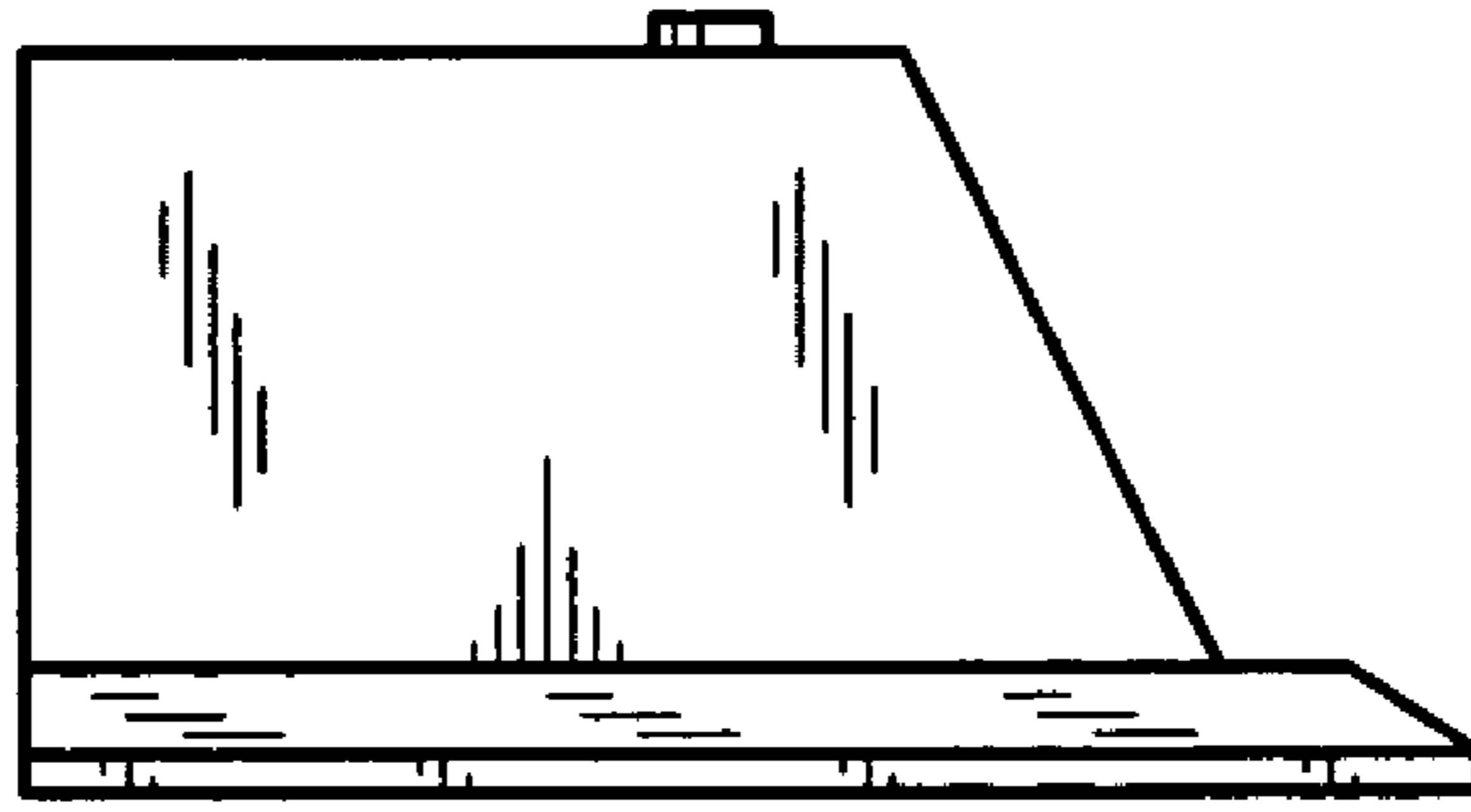
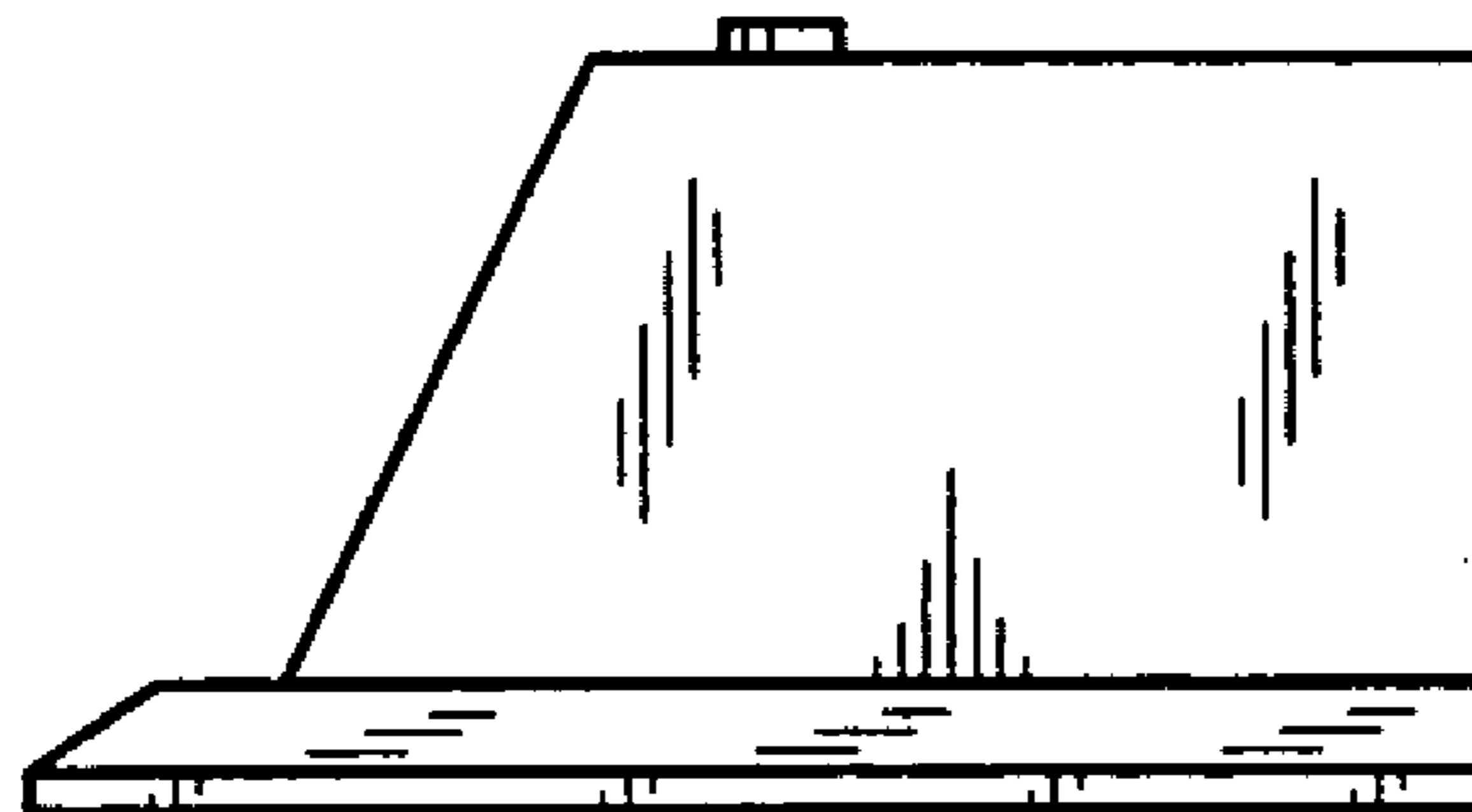


FIG. 5



**FIG. 6**



**FIG. 7**