



US00D589924S

(12) **United States Design Patent**
Jung et al.

(10) **Patent No.:** **US D589,924 S**

(45) **Date of Patent:** **** Apr. 7, 2009**

(54) **MOBILE PHONE**

(75) Inventors: **Yun-Bin Jung**, Seoul (KR); **Beom-Ku Han**, Seoul (KR); **Chang-Soo Lee**, Incheon (KR)

(73) Assignee: **Samsung Electronics Co., Ltd.**, Suwon-Si (KR)

(**) Term: **14 Years**

(21) Appl. No.: **29/300,706**

(22) Filed: **Apr. 29, 2008**

(30) **Foreign Application Priority Data**

Dec. 7, 2007 (KR) 30-2007-0050844

(51) **LOC (9) Cl.** **14-03**

(52) **U.S. Cl.** **D14/138 AD**

(58) **Field of Classification Search** D14/137, D14/138 R, 138 AA, 138 AB, 138 AC, 138 AD, D14/138 C, 138 G, 147, 191, 218, 247-248, D14/341-347, 455, 496; D10/65, 78, 104; D13/168; D18/7; 455/556.1, 566, 575.1, 455/575.3; 345/169

See application file for complete search history.

(56) **References Cited**

U.S. PATENT DOCUMENTS

D525,609 S * 7/2006 Kim et al. D14/138 AB
D531,609 S * 11/2006 Kim et al. D14/138 AB
D548,713 S * 8/2007 Lee et al. D14/138 AD
D554,099 S * 10/2007 Kim et al. D14/138 AD
D555,134 S * 11/2007 Sung et al. D14/138 AC
D558,714 S * 1/2008 Kim et al. D14/138 AD
D558,720 S * 1/2008 Lee et al. D14/138 AD
D567,792 S * 4/2008 Park et al. D14/138 AD
D568,286 S * 5/2008 Suk et al. D14/138 G

D570,321 S * 6/2008 Choi et al. D14/138 AD
D571,234 S * 6/2008 Reeson et al. D10/65
D577,298 S * 9/2008 Reeson et al. D10/65
D578,098 S * 10/2008 Oh D14/138 AD
D578,500 S * 10/2008 Lee et al. D14/138 G
D578,503 S * 10/2008 Shin et al. D14/318 AD

(Continued)

OTHER PUBLICATIONS

HTC Touch HD, announced Sep. 2008, [online], [retrieved on Sep. 19, 2008]. Retrieved from Internet ,<URL: <http://www.gsmarena.com>>.*

(Continued)

Primary Examiner—Jeffrey D Asch
Assistant Examiner—Bridget L Eland

(74) *Attorney, Agent, or Firm*—Staas & Halsey LLP

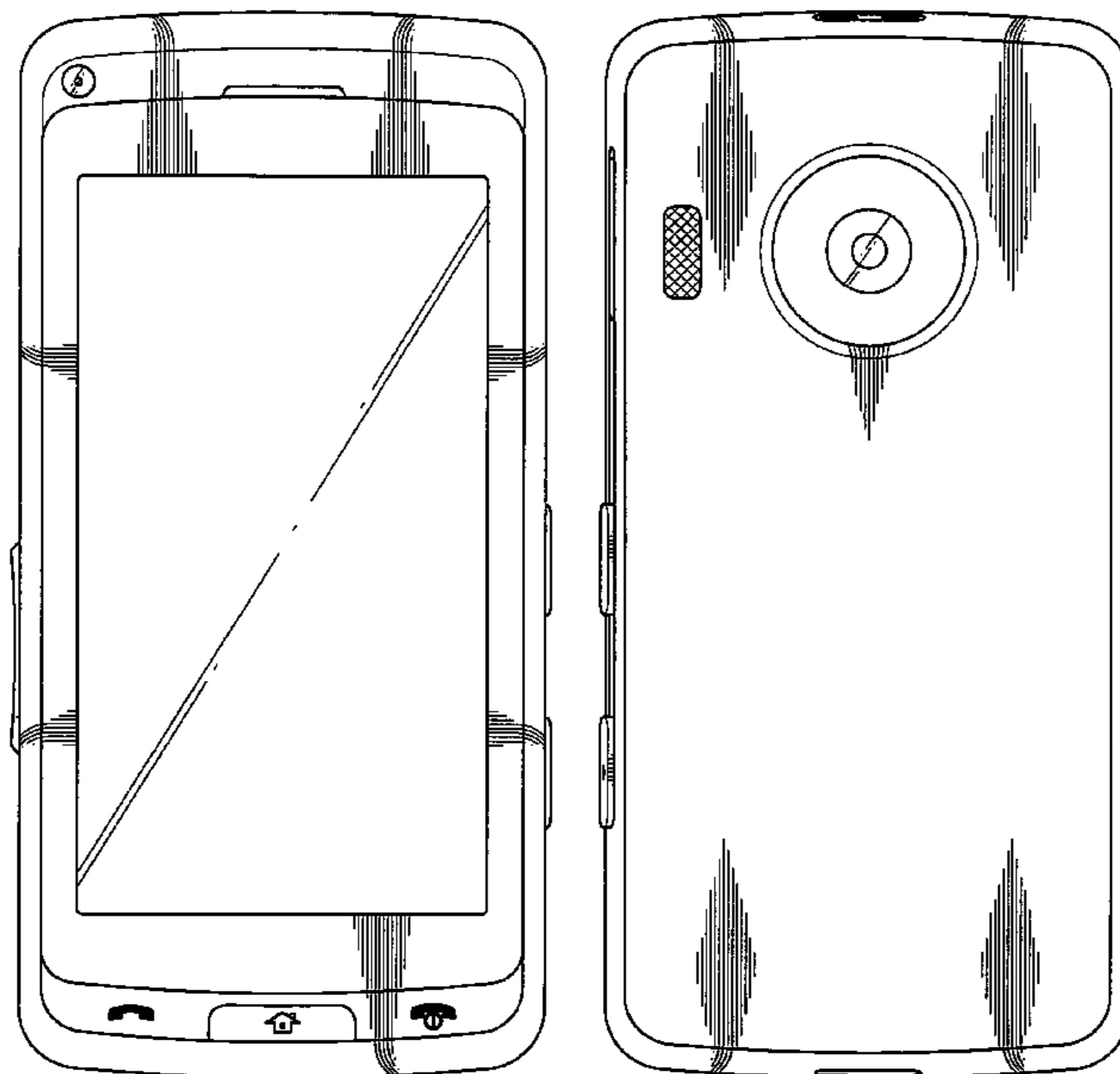
(57) **CLAIM**

The ornamental design for a mobile phone, as shown and described.

DESCRIPTION

FIG. 1 is a perspective view of a mobile phone;
FIG. 2 is a front view of the mobile phone of FIG. 1;
FIG. 3 is a rear view of the mobile phone of FIG. 1;
FIG. 4 is a left-side view of the mobile phone of FIG. 1;
FIG. 5 is a right-side view of the mobile phone of FIG. 1;
FIG. 6 is a top plan view of the mobile phone of FIG. 1;
FIG. 7 is a bottom plan view of the mobile phone of FIG. 1;
FIG. 8 is an open perspective view of the mobile phone of FIG. 1; and,
FIG. 9 is a front open view of the mobile phone of FIG. 1.

1 Claim, 7 Drawing Sheets



U.S. PATENT DOCUMENTS

D578,985 S * 10/2008 Kim et al. D14/138 R
D579,437 S * 10/2008 Yoon D14/138 R
D579,898 S * 11/2008 Lee et al. D14/138 R
D580,396 S * 11/2008 Kang D14/138 R
2005/0250532 A1 * 11/2005 Hwang et al. 455/550.1
2007/0072659 A1 * 3/2007 Ryu 455/575.3
2007/0103443 A1 * 5/2007 Park et al. 345/169
2007/0232368 A1 * 10/2007 Feightner et al. 455/575.1
2008/0004085 A1 * 1/2008 Jung et al. 455/566
2008/0076480 A1 * 3/2008 Jeong et al. 455/566
2008/0132301 A1 * 6/2008 Kim et al. 455/575.3

OTHER PUBLICATIONS

LG U900, announced Apr. 2006, [online], [retrieved on Feb. 20, 2007]. Retrieved from Internet ,<URL: <http://www.gsmarena.com>>.*

LG KF700, announced Feb. 2008, [online], [retrieved on Mar. 21, 2008 and May 14, 2008]. Retrieved from Internet ,<URL: <http://www.gsmarena.com>>.*

LG CU915Vu, announced Mar. 2008, [online], [retrieved on May 14, 2008]. Retrieved from Internet ,<URL: <http://www.gsmarena.com>>.*

Samsung P930, announced Dec. 2006, [online], [retrieved on Feb. 8, 2007]. Retrieved from Internet ,<URL: <http://www.gsmarena.com>>.*

Samsung F520, announced Feb. 2007, [online], [retrieved on Feb. 16, 2007]. Retrieved from Internet ,<URL: <http://www.gsmarena.com>>.*

Samsung F490, announced Jan. 2008, [online], [retrieved on Jan. 18, 2008]. Retrieved from Internet ,<URL: <http://www.gsmarena.com>>.*

Samsung A867 Eternity, announced Nov. 2008, [online], [retrieved on Nov. 18, 2008]. Retrieved from Internet ,<URL: <http://www.gsmarena.com>>.*

* cited by examiner

FIG. 1

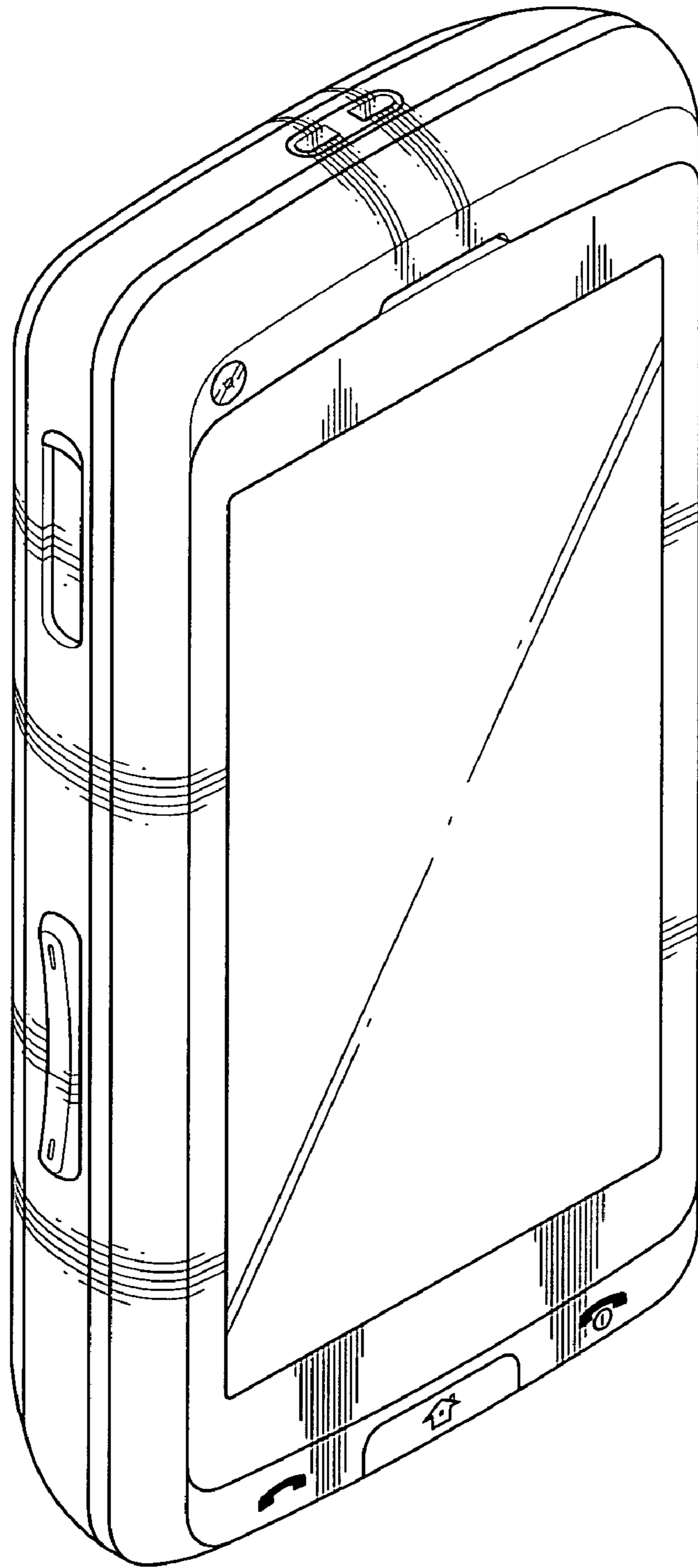


FIG. 2

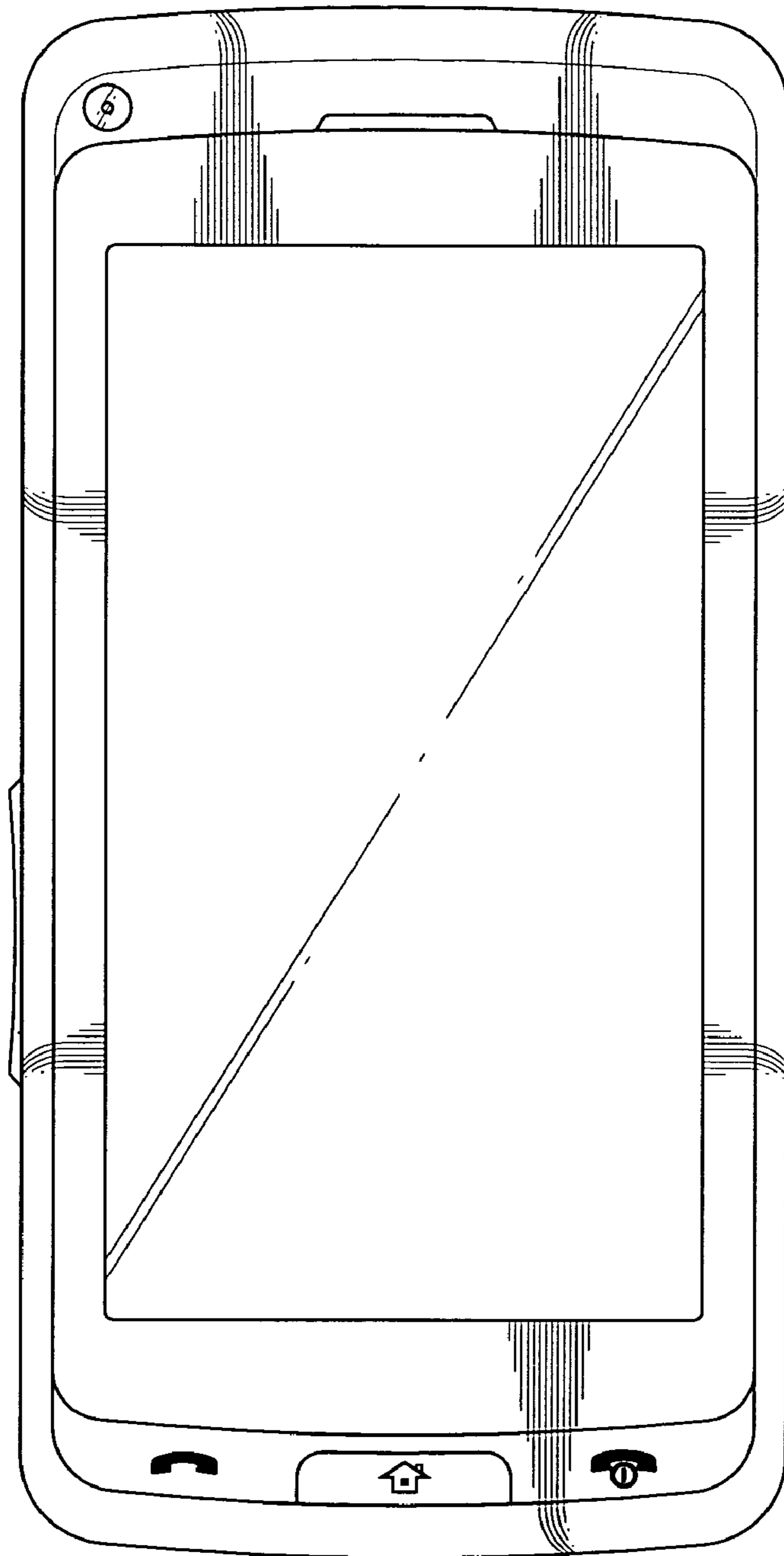


FIG. 3

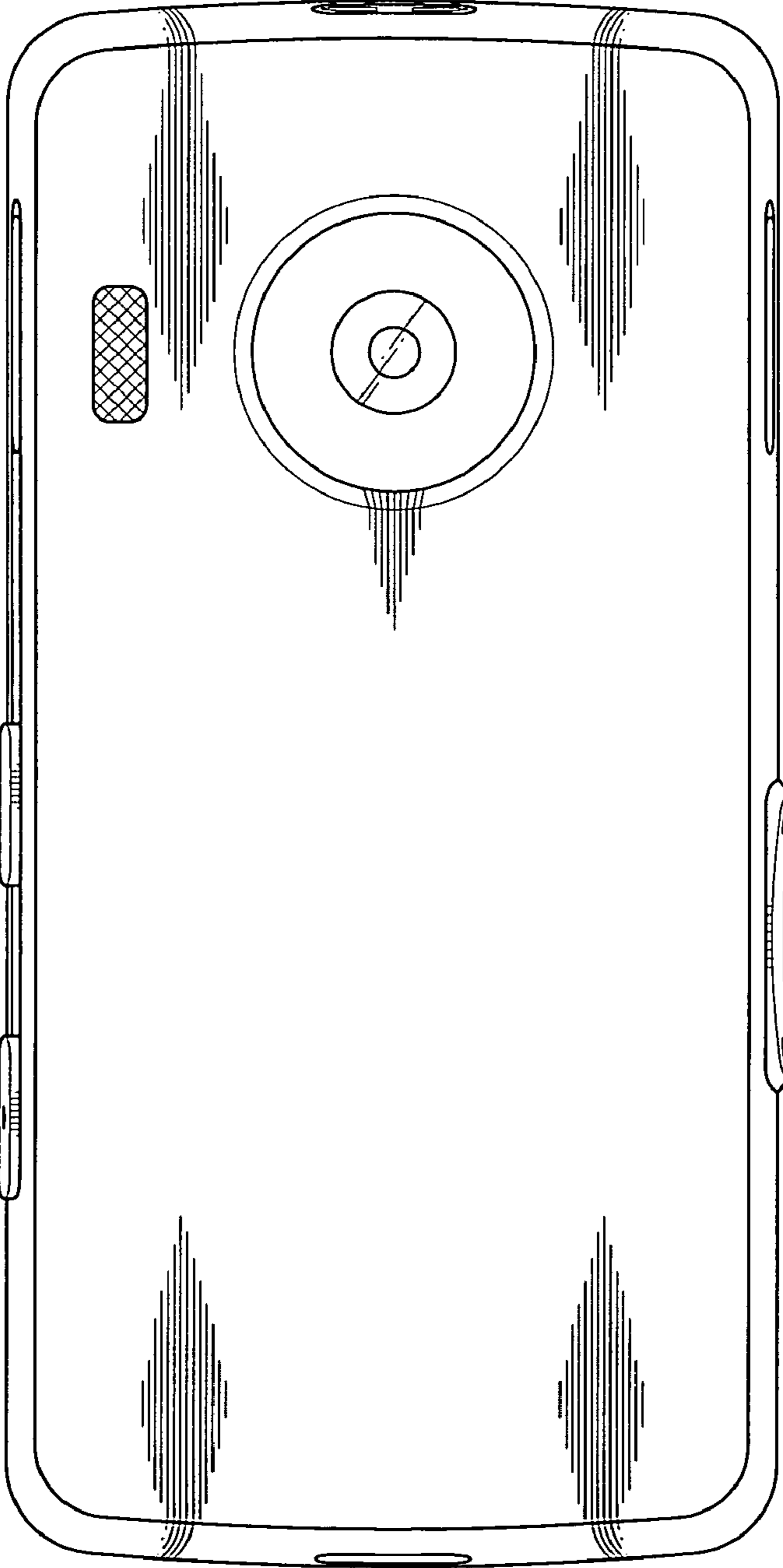


FIG. 4

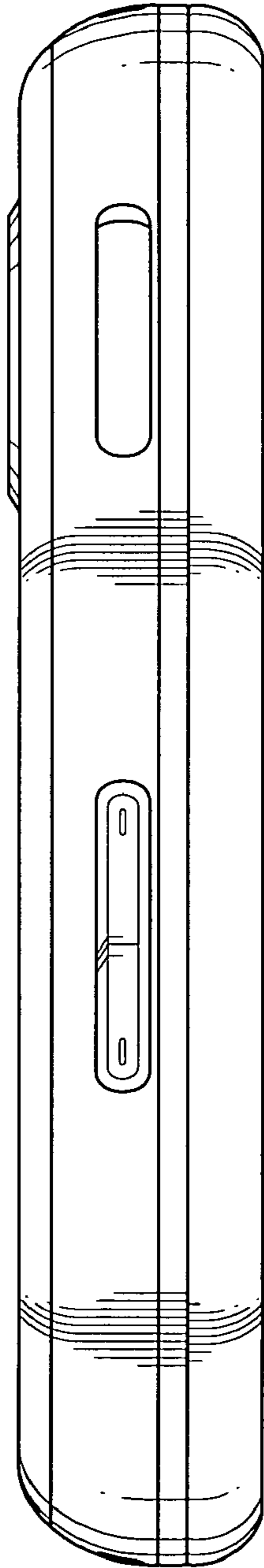


FIG. 5

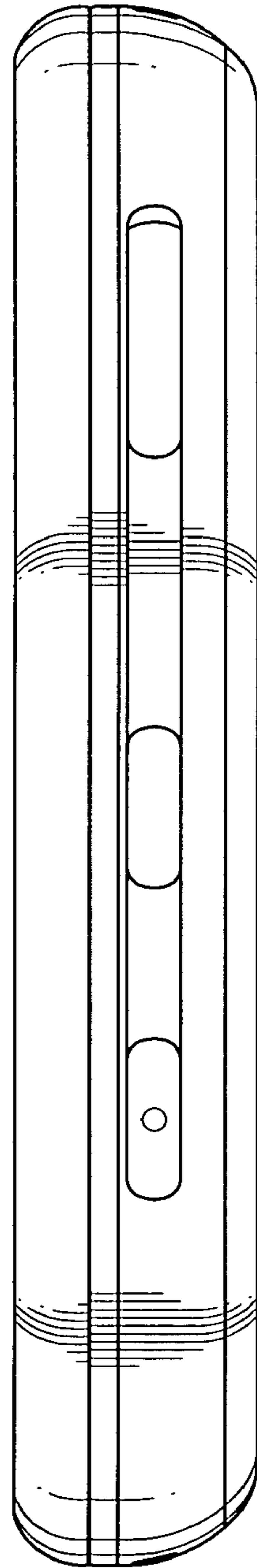


FIG. 6

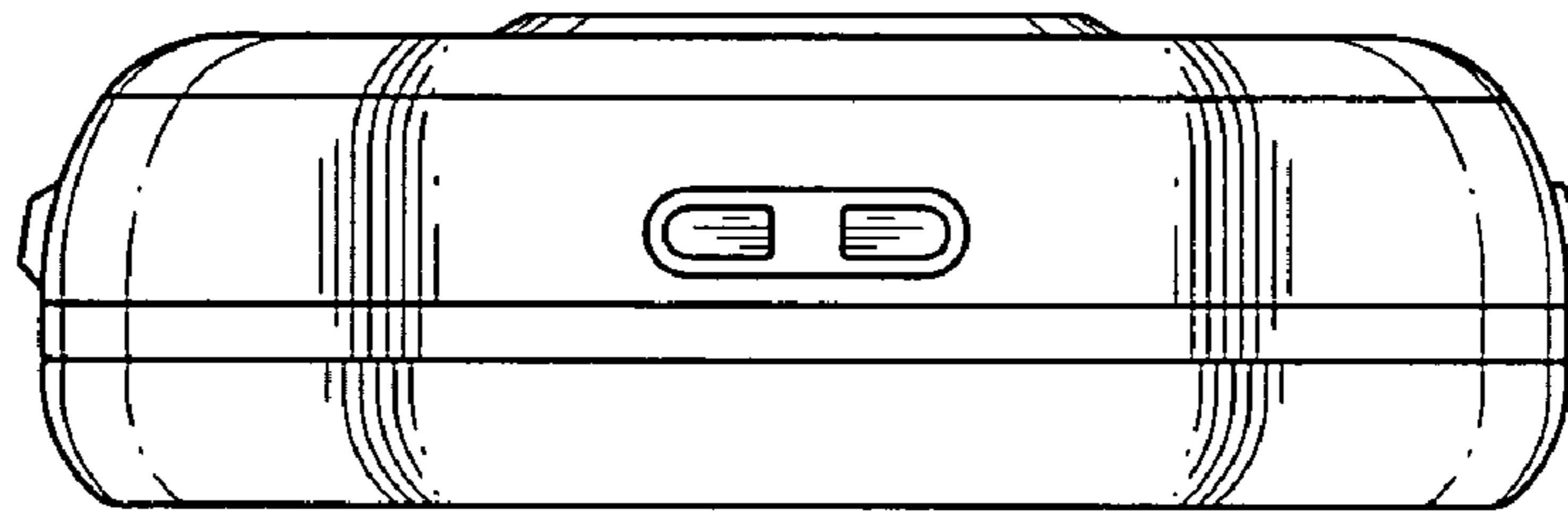


FIG. 7

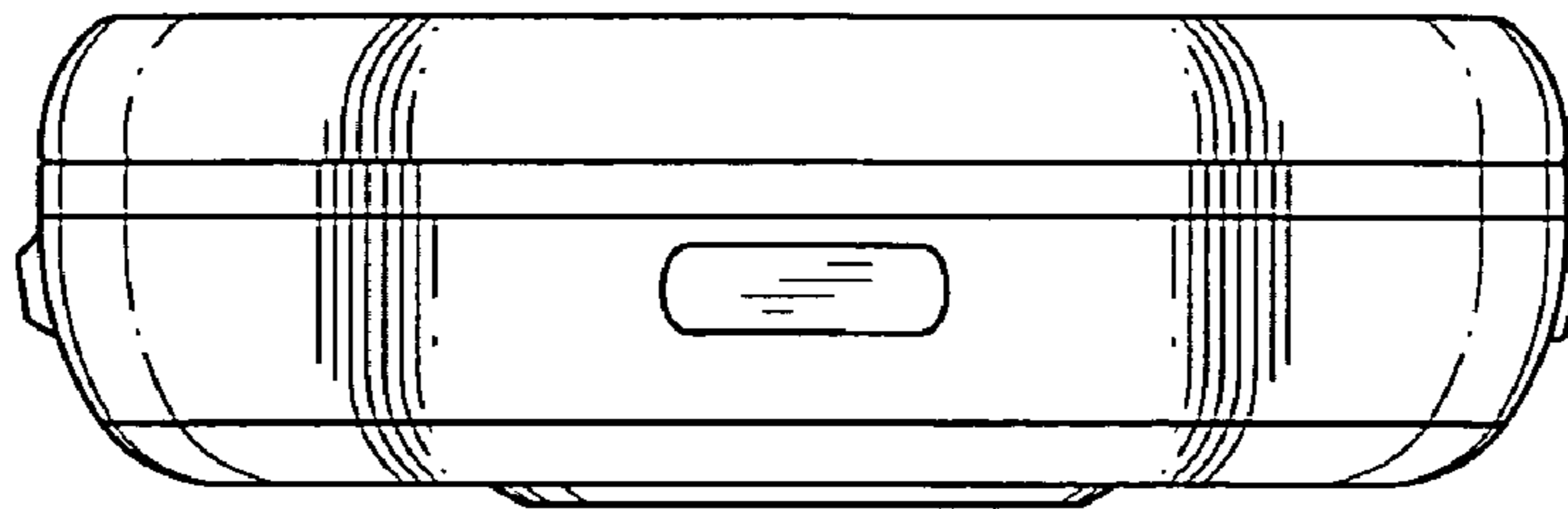


FIG. 8

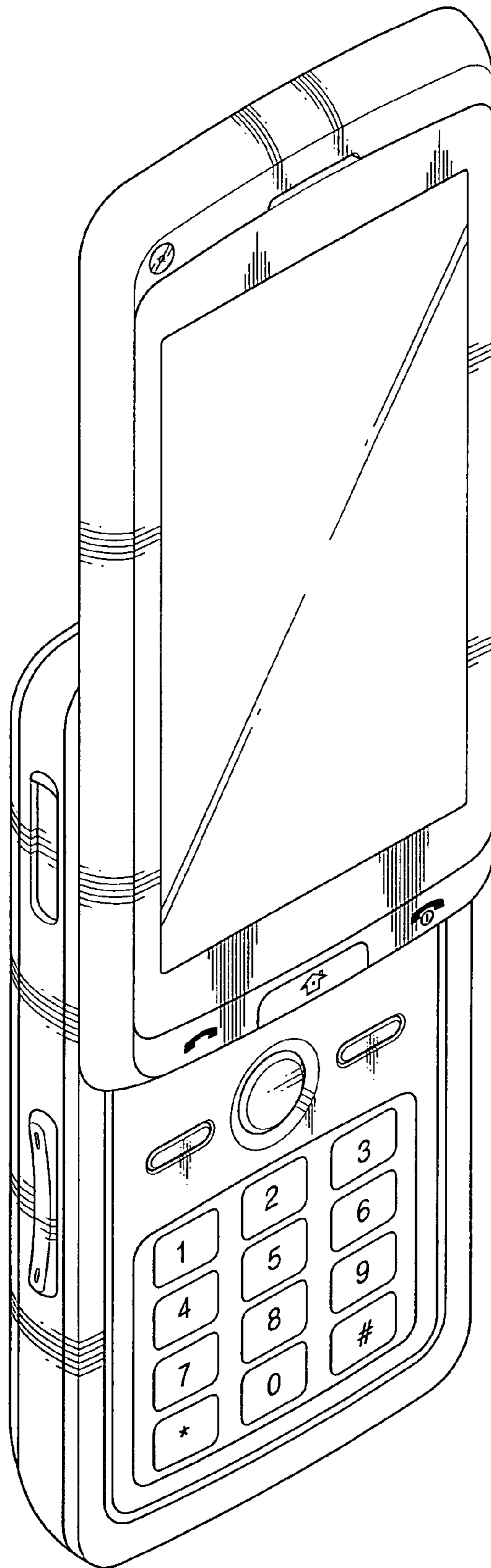


FIG.9

