

US00D589921S

(12) **United States Design Patent**
He Wei

(10) **Patent No.:** **US D589,921 S**
(45) **Date of Patent:** **** Apr. 7, 2009**

(54) **HANDSET**

(75) Inventor: **Jones He Wei**, Beijing (CN)

(73) Assignee: **Nokia Corporation**, Espoo (FI)

(**) Term: **14 Years**

(21) Appl. No.: **29/296,608**

(22) Filed: **Oct. 24, 2007**

(30) **Foreign Application Priority Data**

Apr. 25, 2007 (FI) M20070085

(51) **LOC (9) Cl.** **14-03**

(52) **U.S. Cl.** **D14/138 AB**

(58) **Field of Classification Search** D14/138,
D14/496, 341-347; 455/575.3, 575.1

See application file for complete search history.

(56) **References Cited**

U.S. PATENT DOCUMENTS

D477,296 S *	7/2003	Minamide	D14/138 AB
D496,016 S *	9/2004	Hoo	D14/138 AB
D500,016 S *	12/2004	Kim	D14/138 AB
D521,478 S *	5/2006	Lee et al.	D14/138 AB
D523,411 S *	6/2006	Kim et al.	D14/138 AB
D536,322 S *	2/2007	Kim et al.	D14/138 AB
D536,686 S *	2/2007	Miyata	D14/138 AB
D537,428 S *	2/2007	Fahlgren	D14/138 AB
D537,429 S *	2/2007	Fahlgren	D14/138 AB
D546,796 S *	7/2007	Ahn et al.	D14/138 AB
D551,200 S *	9/2007	Escorcia et al.	D14/138 AB
D556,164 S *	11/2007	Dry et al.	D14/138 AB
D556,717 S *	12/2007	Song et al.	D14/138 AB
D559,214 S *	1/2008	Salmi	D14/138 AB
7,334,296 B2 *	2/2008	Park	16/330
D564,481 S *	3/2008	Su	D14/138 AB
D564,489 S *	3/2008	Hong et al.	D14/138 AB
D565,009 S *	3/2008	Kim et al.	D14/138 AB
D565,529 S *	4/2008	Dry et al.	D14/138 AB
D565,530 S *	4/2008	Asabu	D14/138 AB
D566,084 S *	4/2008	Oh et al.	D14/138 AB
D568,850 S *	5/2008	Lyles	D14/138 AB

D569,361 S *	5/2008	Park	D14/138 AB
D569,831 S *	5/2008	Chung et al.	D14/138 AB
D575,755 S *	8/2008	Kim et al.	D14/138
D576,586 S *	9/2008	Song et al.	D14/138 R

OTHER PUBLICATIONS

Nokia 2760 telephone, announced May 2007, [online], [site visited Sep. 23, 2008]. Available from Internet ,<URL: <http://www.gsmarena.com>>.*

Nokia 2660 telephone, announced May 2007, [online], [site visited Sep. 23, 2008]. Available from Internet ,<URL: <http://www.gsmarena.com>>.*

(Continued)

Primary Examiner—Jeffrey D Asch

(74) *Attorney, Agent, or Firm*—Banner & Witcoff, Ltd.

(57) **CLAIM**

The ornamental design for a handset, as shown and described.

DESCRIPTION

FIG. 1 is a bottom plan view of a handset showing my new design;

FIG. 2 is a right side view thereof;

FIG. 3 is a front view thereof;

FIG. 4 is a left side view thereof;

FIG. 5 is a top plan view thereof;

FIG. 6 is a rear view thereof;

FIG. 7 is a perspective front view thereof;

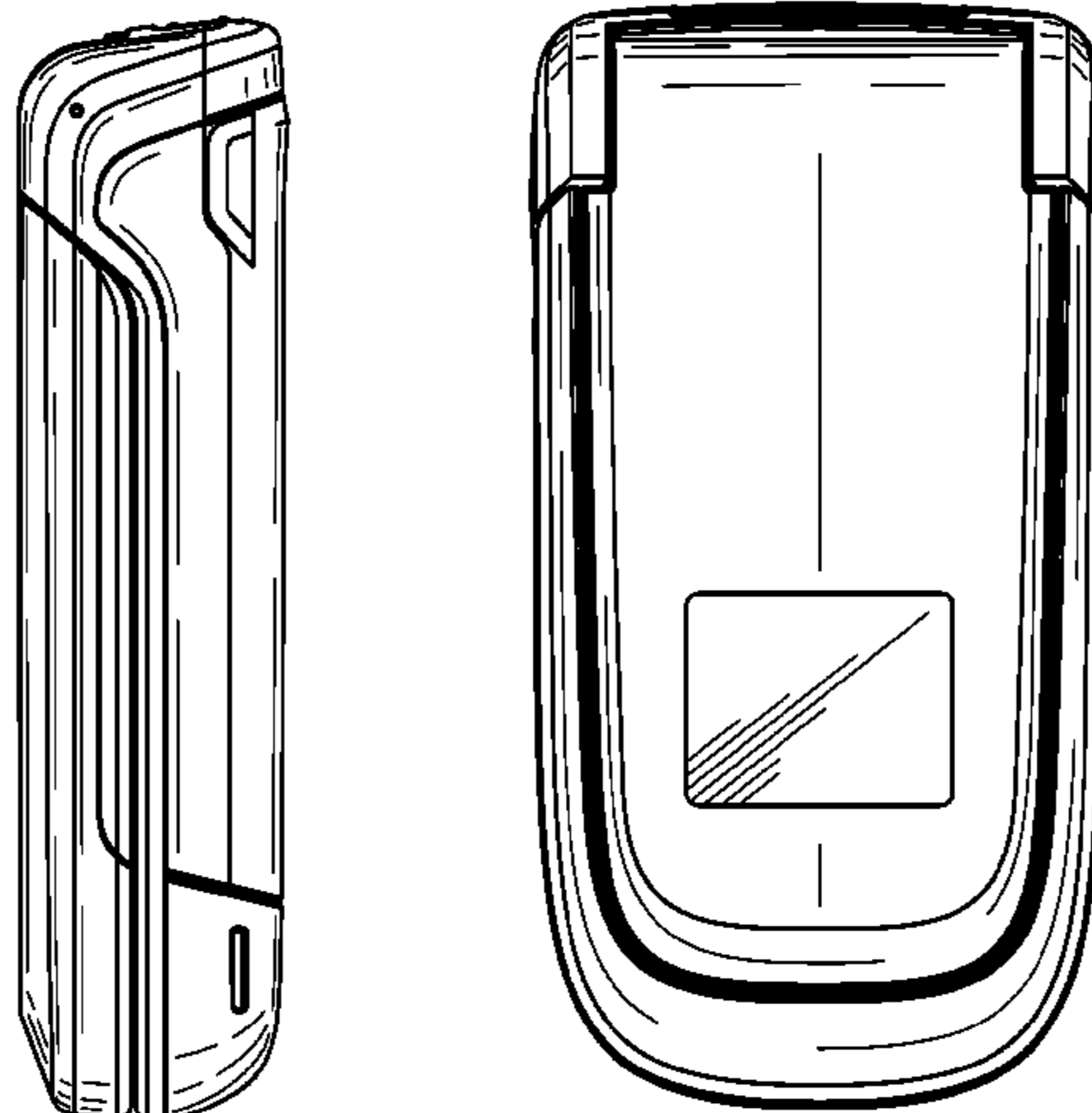
FIG. 8 is a perspective rear view thereof;

FIG. 9 is a front view of the handset of FIGS. 1-8 showing my new design in an open, in-use position; and,

FIG. 10 is a perspective front view thereof.

The generally rectangular region located on the lower half of the front cover in FIGS. 3 and 7, and the generally rectangular region located on the inside of the front cover of FIGS. 9 and 10, both represent display screens.

1 Claim, 5 Drawing Sheets



OTHER PUBLICATIONS

Nokia 6101 telephone, announced 1st quarter 2005, [online], [site visited Sep. 23, 2008]. Available from Internet ,<URL: <http://www.gsmarena.com>>.*

BenQ-Siemens EF91 telephone, announced Feb. 2006, [online], [site visited Sep. 23, 2008]. Available from Internet ,<URL: <http://www.gsmarena.com>>.*

Sony-Ericsson Z310 telephone, announced Dec. 2006, [online], [site visited Sep. 23, 2008]. Available from Internet ,<URL: <http://www.gsmarena.com>>.*

Philips 855 telephone, announced 2nd quarter 2004, [online], [site visited Sep. 23, 2008]. Available from Internet ,<URL: <http://www.gsmarena.com>>.*

NEC N840 telephone, announced 4th quarter 2004, [online], [site visited Sep. 23, 2008]. Available from Internet ,<URL: <http://www.gsmarena.com>>.*

NEC N400i telephone, announced Mar. 2004, [online], [site visited Sep. 23, 2008]. Available from Internet ,<URL: <http://www.gsmarena.com>>.*

Nokia Model # 6060, Nokia Corporation, 3 color sheets of photographs, disclosed on or about Jun. 2005.

Nokia Model # 6085, Nokia Corporation, 2 color sheets of photographs, disclosed on or about Sep. 2006.

Nokia Model # 6086, Nokia Corporation, 1 color sheet of photographs, disclosed on or about Nov. 2006.

Nokia Model # 6125, Nokia Corporation, 3 color sheets of photographs, disclosed on or about Jan. 2006.

Nokia Model # 6126, Nokia Corporation, 1 color sheet of photographs, disclosed on or about Feb. 2006.

Nokia Model # 6131, Nokia Corporation, 2 color sheets of photographs, disclosed on or about Feb. 2006.

Nokia Model # 6133, Nokia Corporation, 1 color sheet of photographs, disclosed on or about Oct. 2006.

* cited by examiner

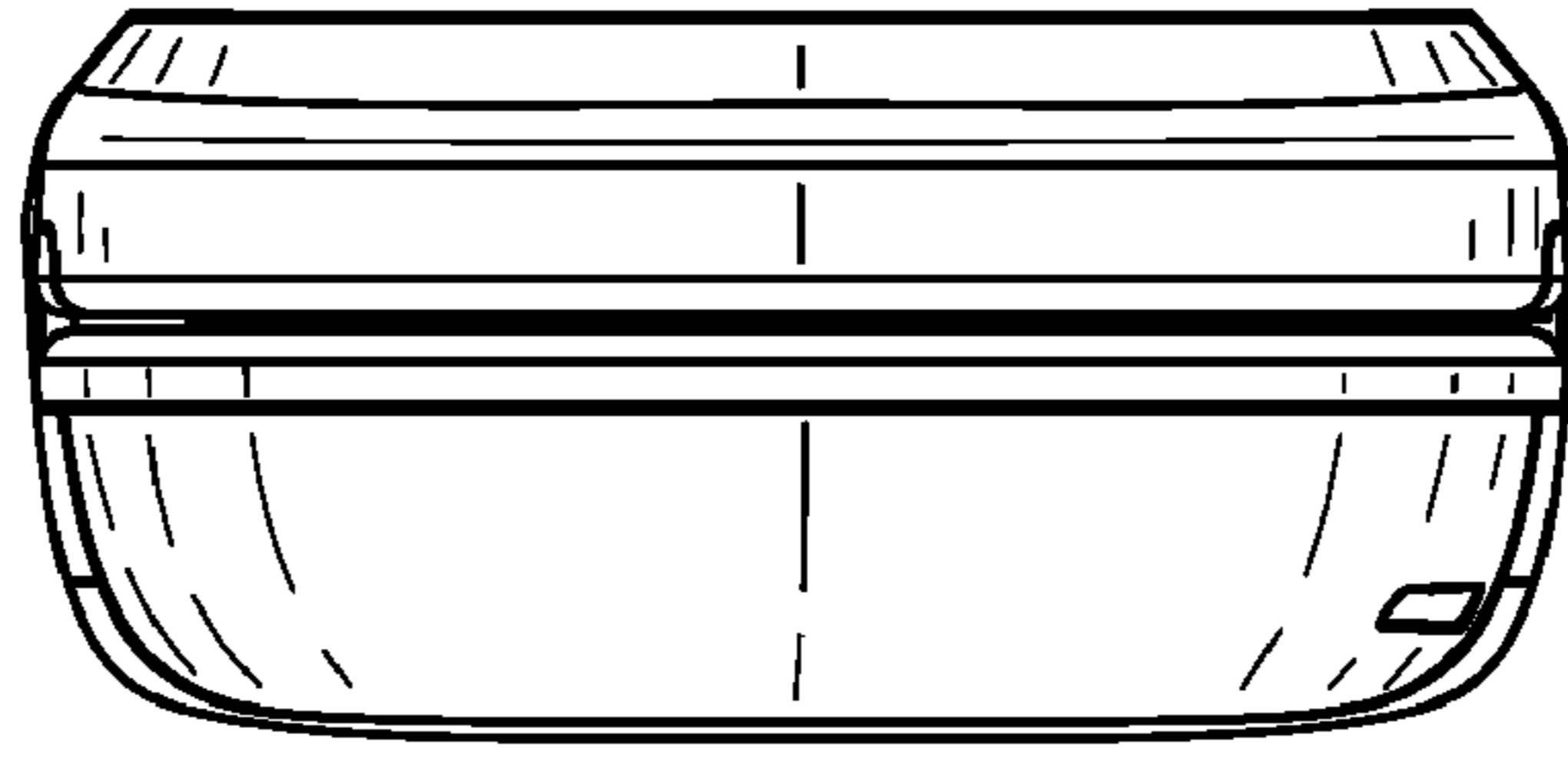


FIG. 1

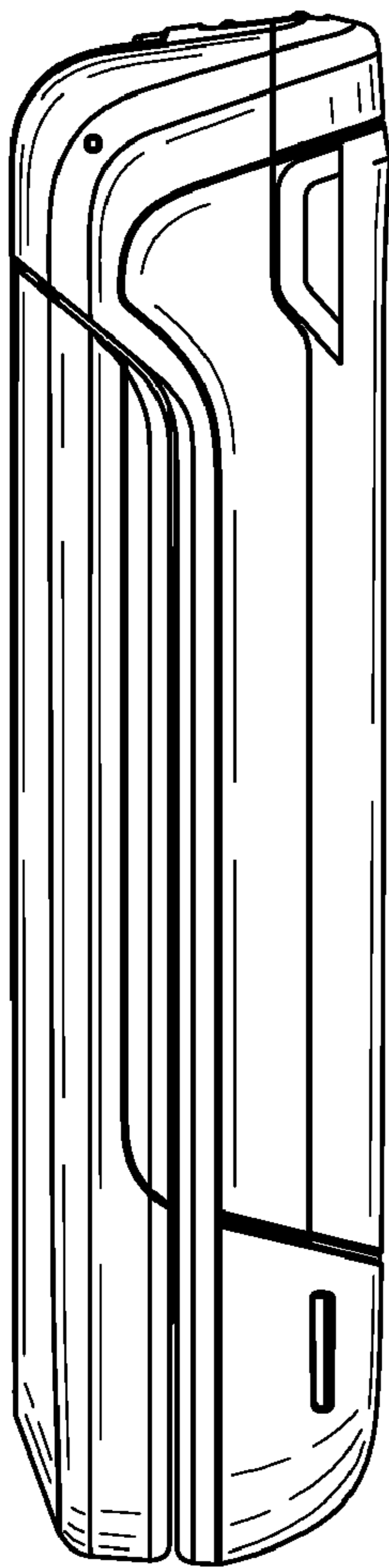


FIG. 2

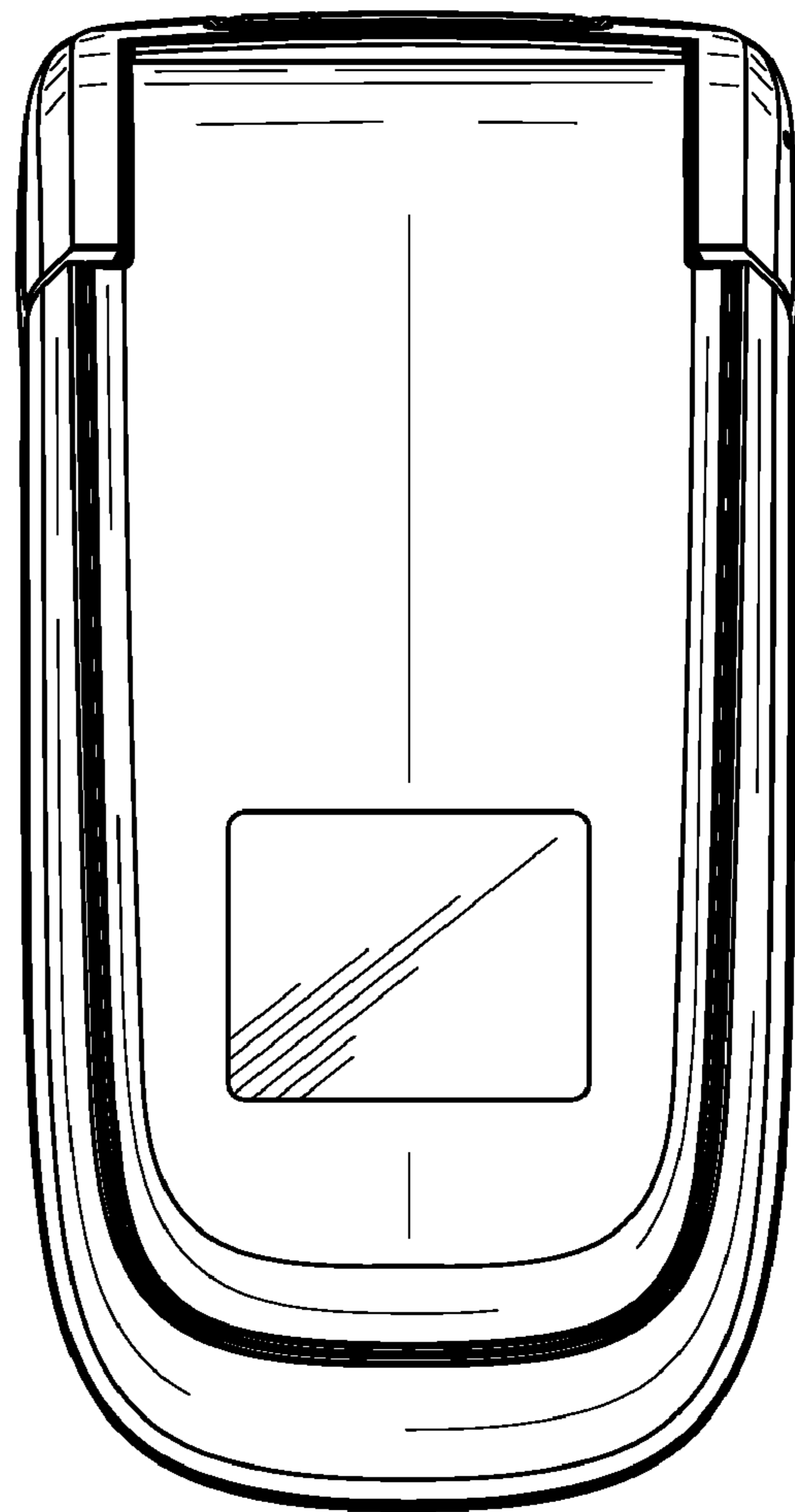


FIG. 3

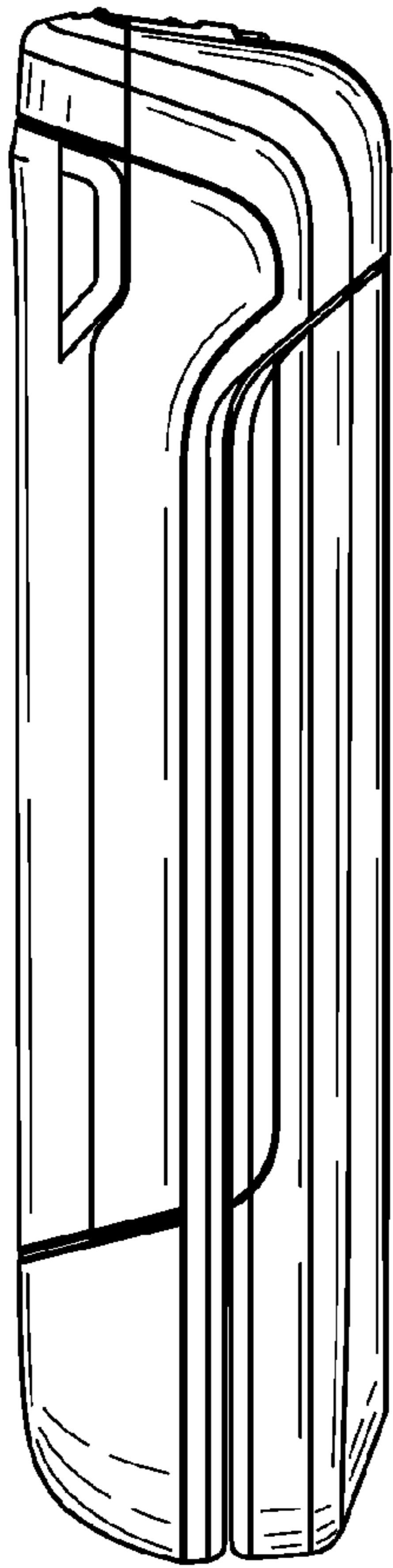


FIG. 4

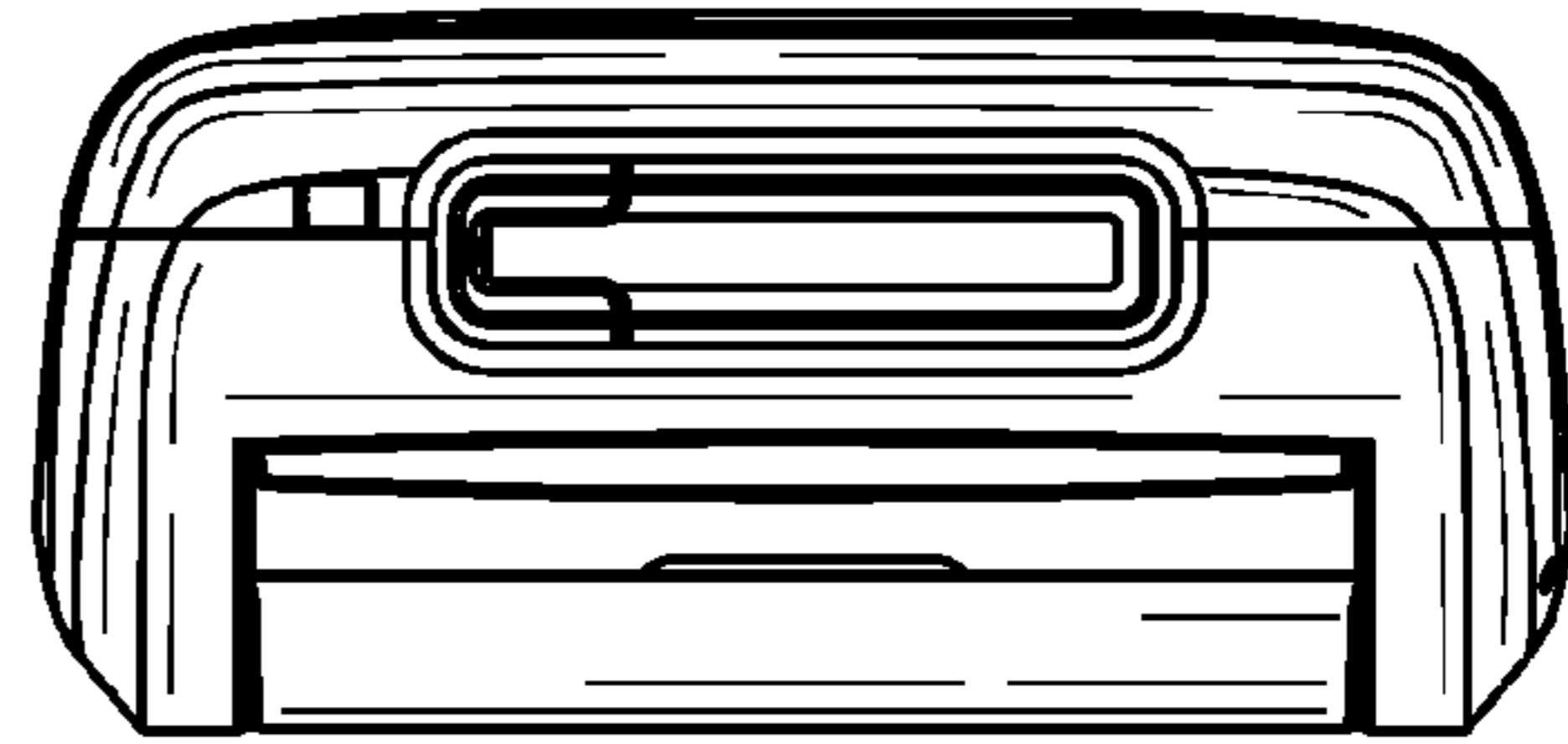


FIG. 5

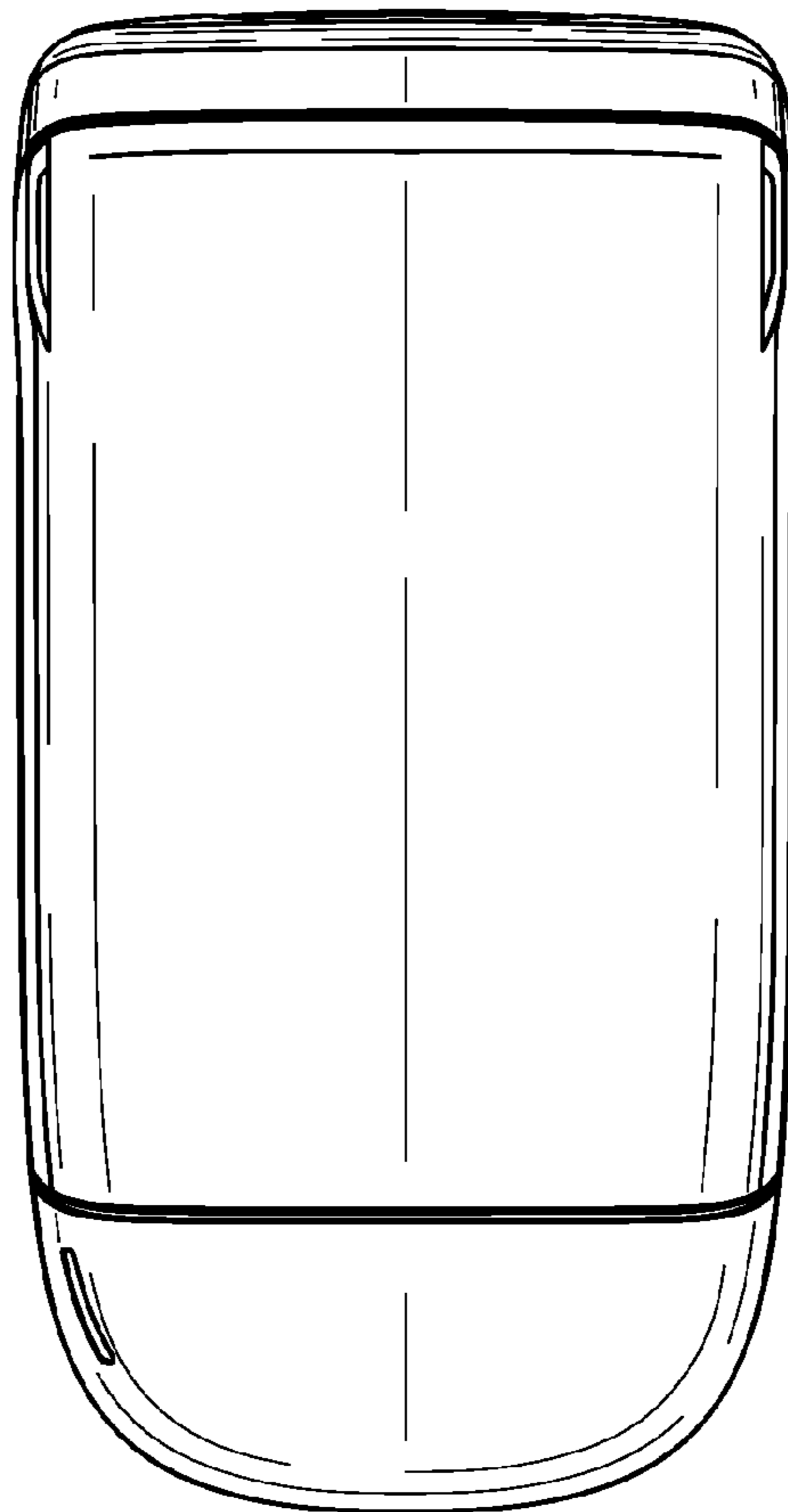


FIG. 6

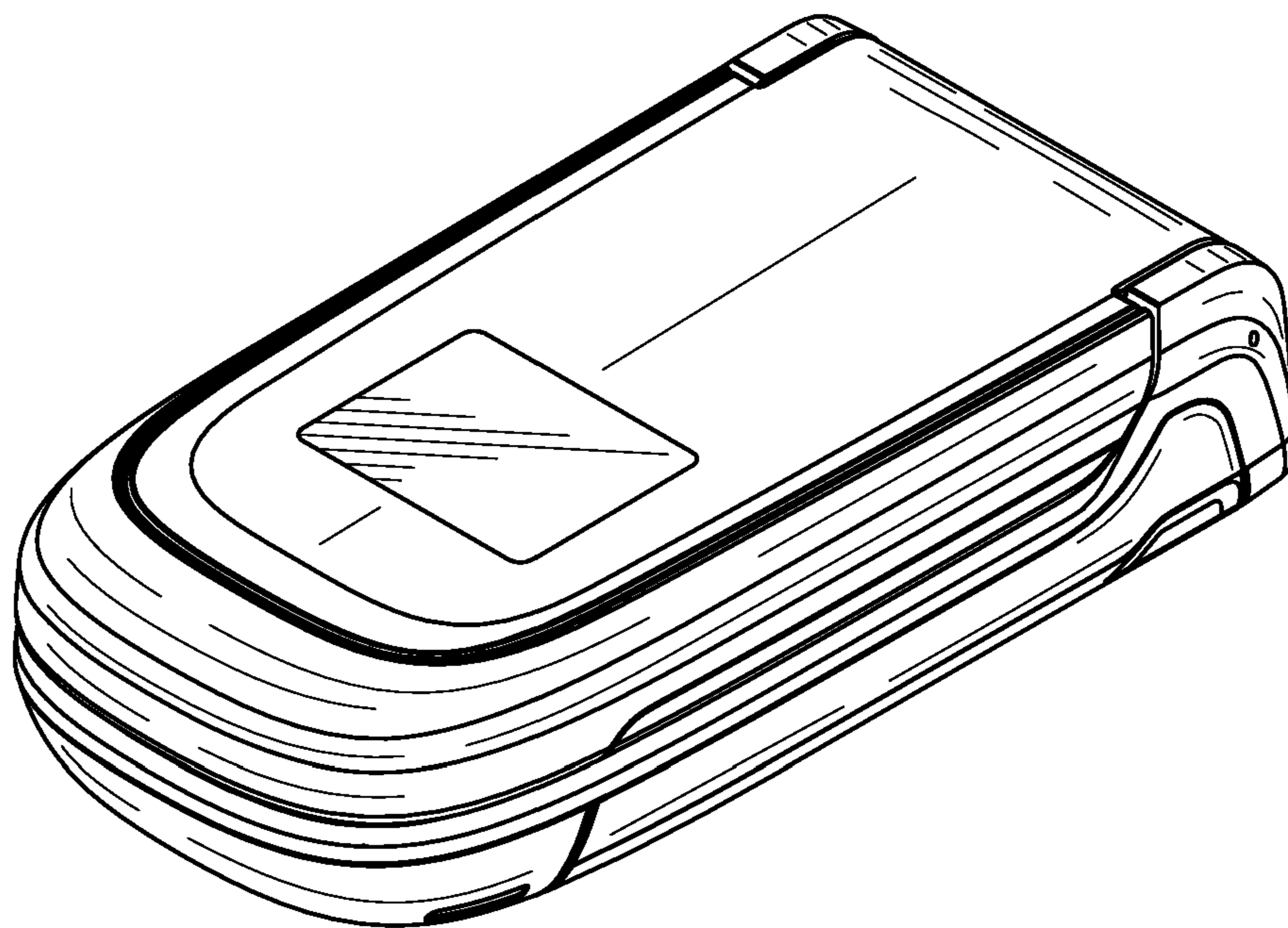


FIG. 7

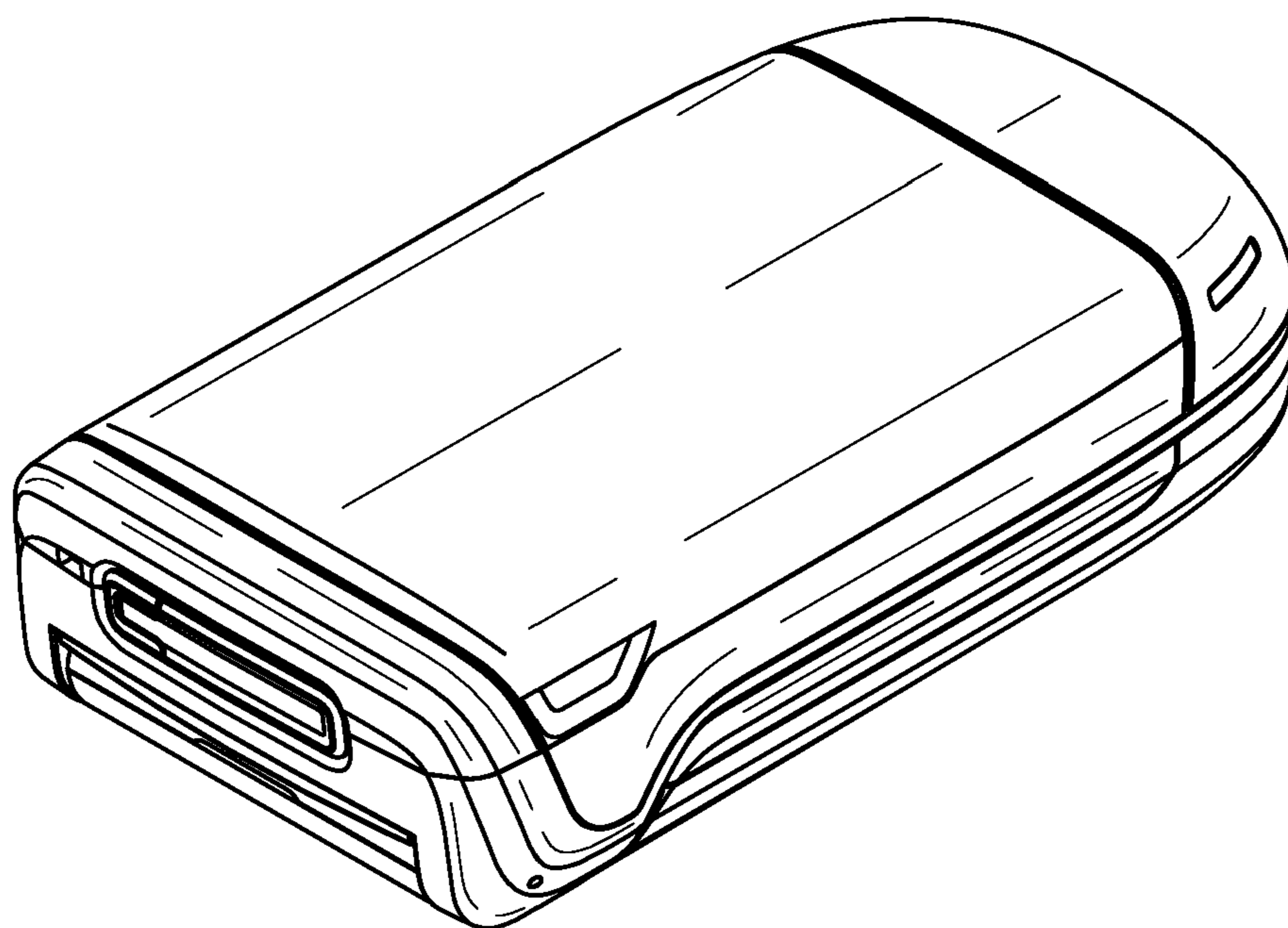


FIG. 8

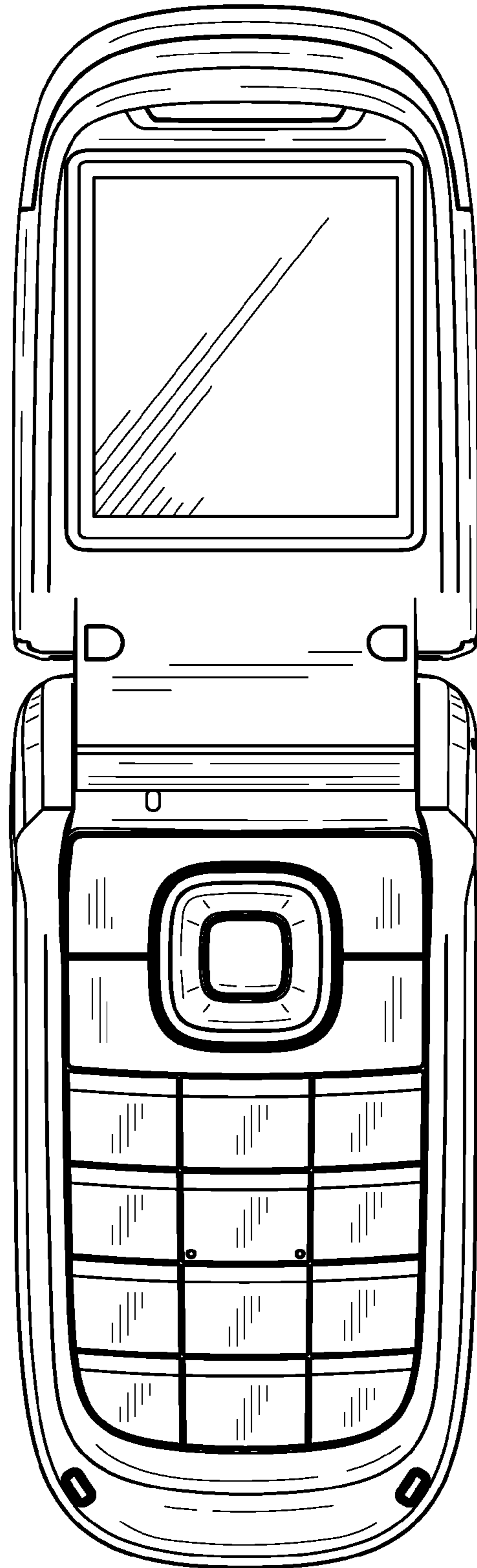


FIG. 9



FIG. 10