



US00D589918S

(12) **United States Design Patent**
Arai et al.

(10) **Patent No.:** **US D589,918 S**

(45) **Date of Patent:** **** Apr. 7, 2009**

(54) **TELEVISION RECEIVER**

(75) Inventors: **Miki Arai**, Chiyoda-Ku (JP); **Takahiro Yamaguchi**, Chiyoda-Ku (JP)

(73) Assignee: **Mitsubishi Electric Corporation**, Tokyo (JP)

(**) Term: **14 Years**

(21) Appl. No.: **29/318,211**

(22) Filed: **May 15, 2008**

(30) **Foreign Application Priority Data**

Dec. 20, 2007 (JP) 2007-035024

(51) **LOC (9) Cl.** **14-03**

(52) **U.S. Cl.** **D14/126**

(58) **Field of Classification Search** D14/125-134, D14/239, 371, 136, 374-377, 440, 450, 448, D14/336, 342; 312/7.2; 348/836, 838, 180, 348/184, 325, 739; 341/12; 248/917-924, 248/465; 345/104, 133, 156, 168, 87, 173; 720/605, 669, 600, 655; 369/99, 197; 455/344, 455/347; D21/329, 515, 577, 622, 333, 433, D21/448, 452, 450, 331; D6/477, 479; 273/148 B; 446/484, 175, 356; D10/15, 26

See application file for complete search history.

(56) **References Cited**

U.S. PATENT DOCUMENTS

D438,180 S * 2/2001 Izu et al. D14/126
D543,164 S * 5/2007 Yang et al. D14/126
D565,520 S * 4/2008 Yoshimura et al. D14/126
D566,669 S * 4/2008 Ooshima et al. D14/126
D568,267 S * 5/2008 Takami et al. D14/126

D572,678 S * 7/2008 Fujiki D14/126
D572,679 S * 7/2008 Asanuma et al. D14/126
D577,344 S * 9/2008 Hacker et al. D14/126

* cited by examiner

Primary Examiner—Raphael Barkai

(74) *Attorney, Agent, or Firm*—Sughrue Mion, PLLC

(57) **CLAIM**

The ornamental design for a television receiver, as shown and described.

DESCRIPTION

FIG. 1 is a front, top and left side perspective view of a television receiver, showing our new design;

FIG. 2 is a front elevational view thereof;

FIG. 3 is a rear elevational view thereof;

FIG. 4 is a top plan view thereof;

FIG. 5 is a bottom plan view thereof;

FIG. 6 is a left side elevational view thereof;

FIG. 7 is a right side elevational view thereof;

FIG. 8 is an enlarged cross-sectional view thereof; taken along line 8—8 of FIG. 2, with the internal system omitted;

FIG. 9 is an enlarged partial view thereof; taken along line 9—9 of FIG. 8;

FIG. 10 is an enlarged partial view thereof; taken along line 10—10 of FIG. 2;

FIG. 11 is an enlarged partial perspective view thereof; and, FIG. 12 is a reference view showing the state in use.

The broken lines shown in FIG. 12 are for illustrative purposes only and form no part of the claimed design.

1 Claim, 6 Drawing Sheets

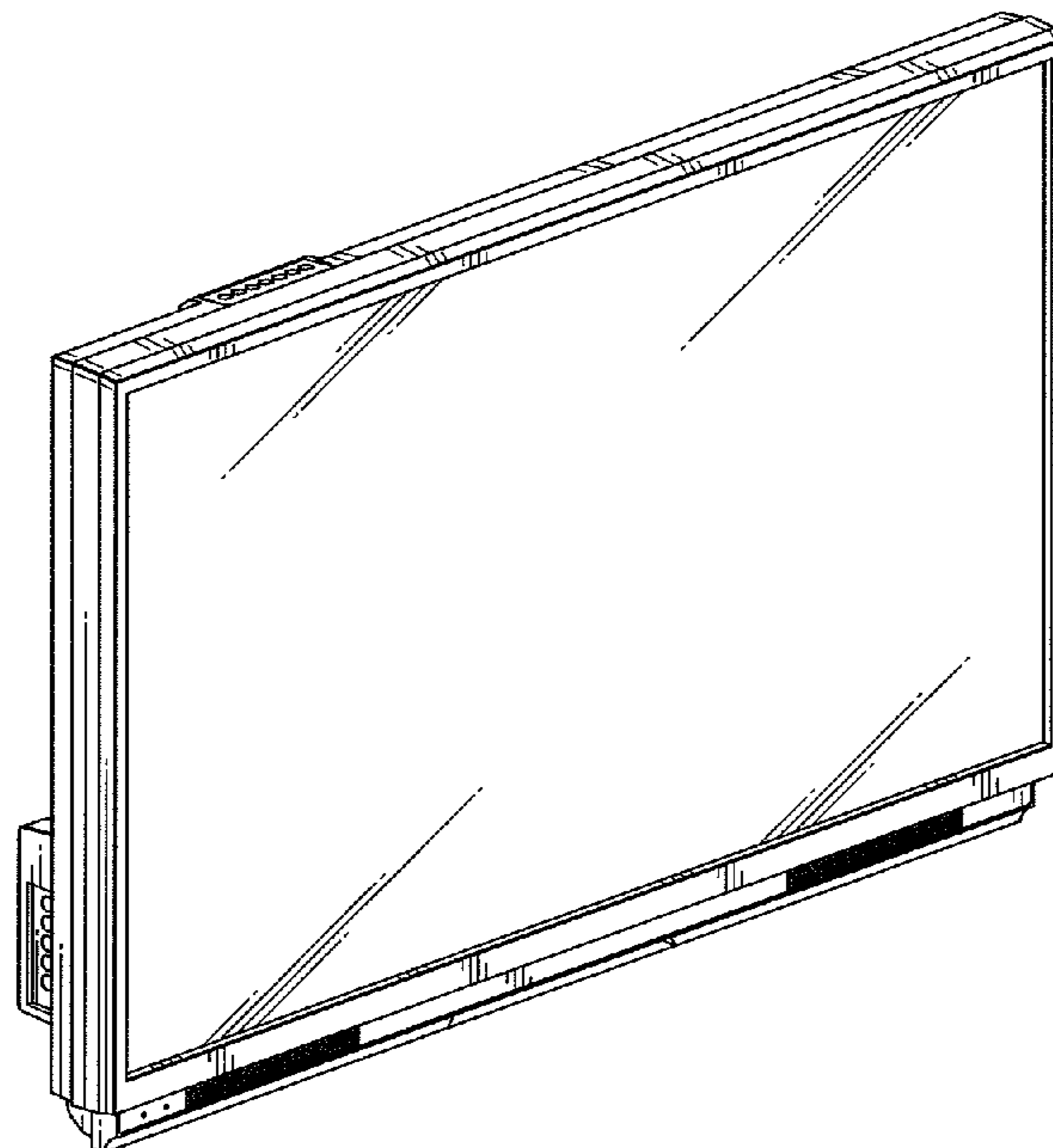


FIG. 1

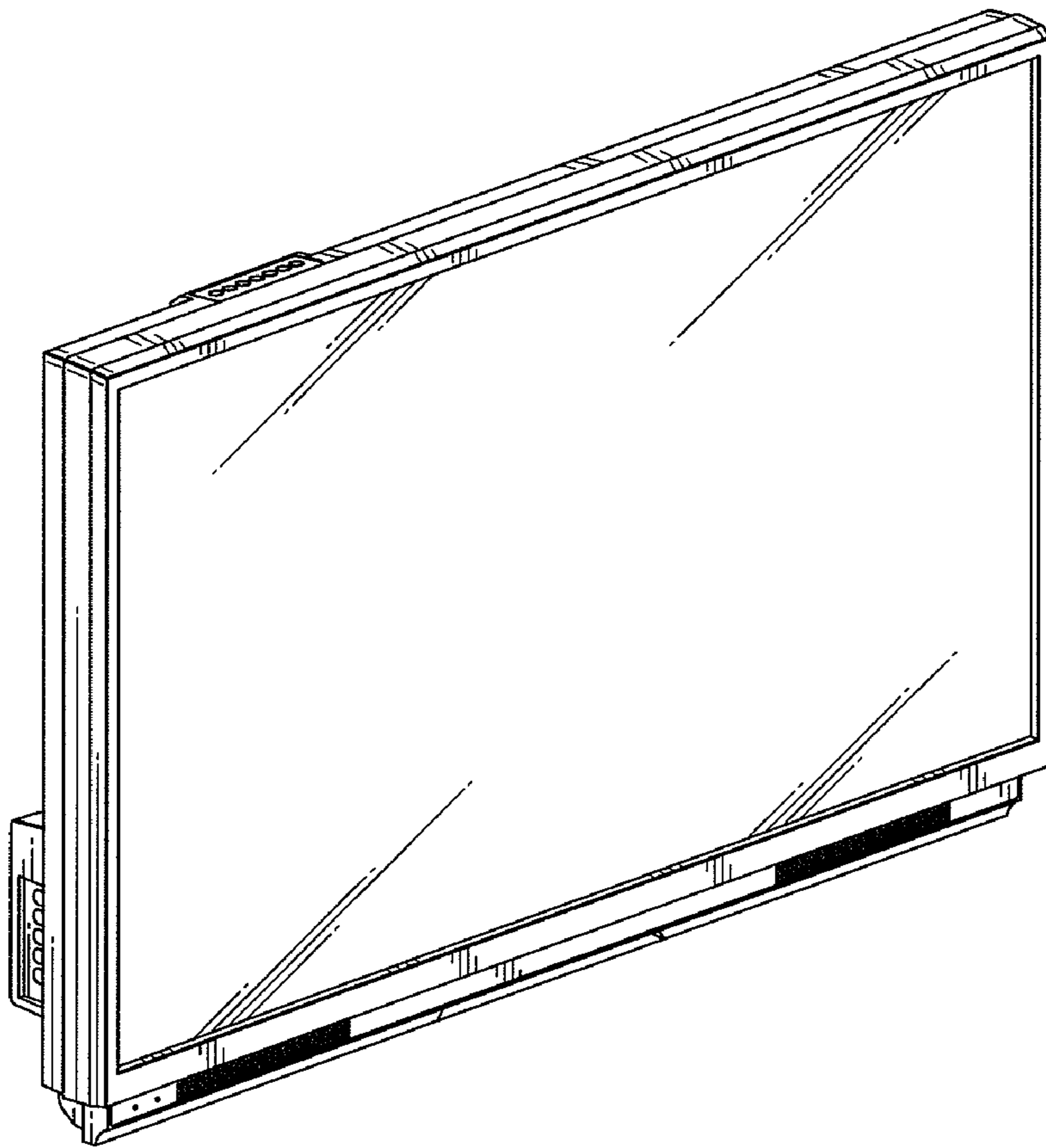


FIG.2

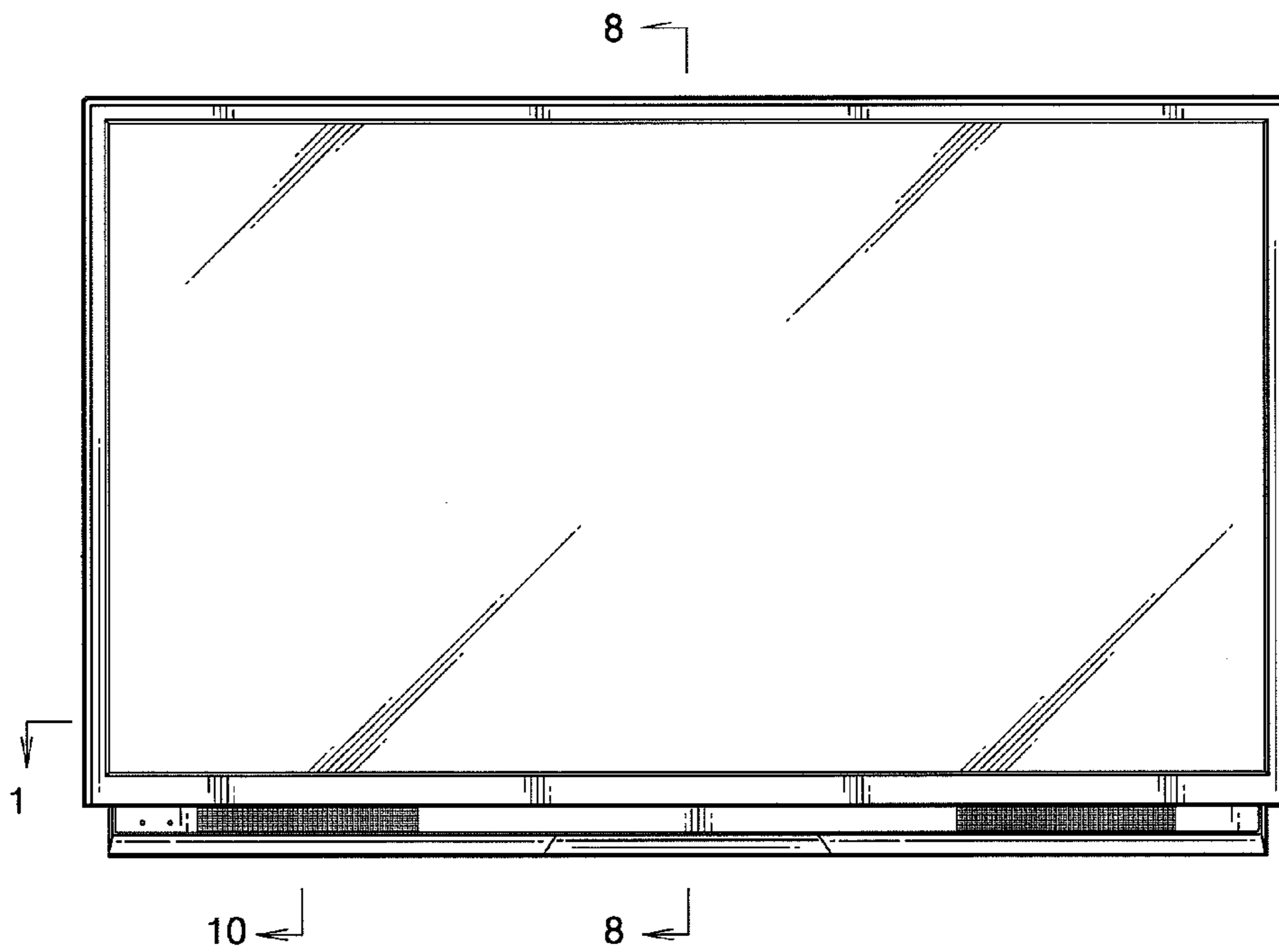


FIG.3

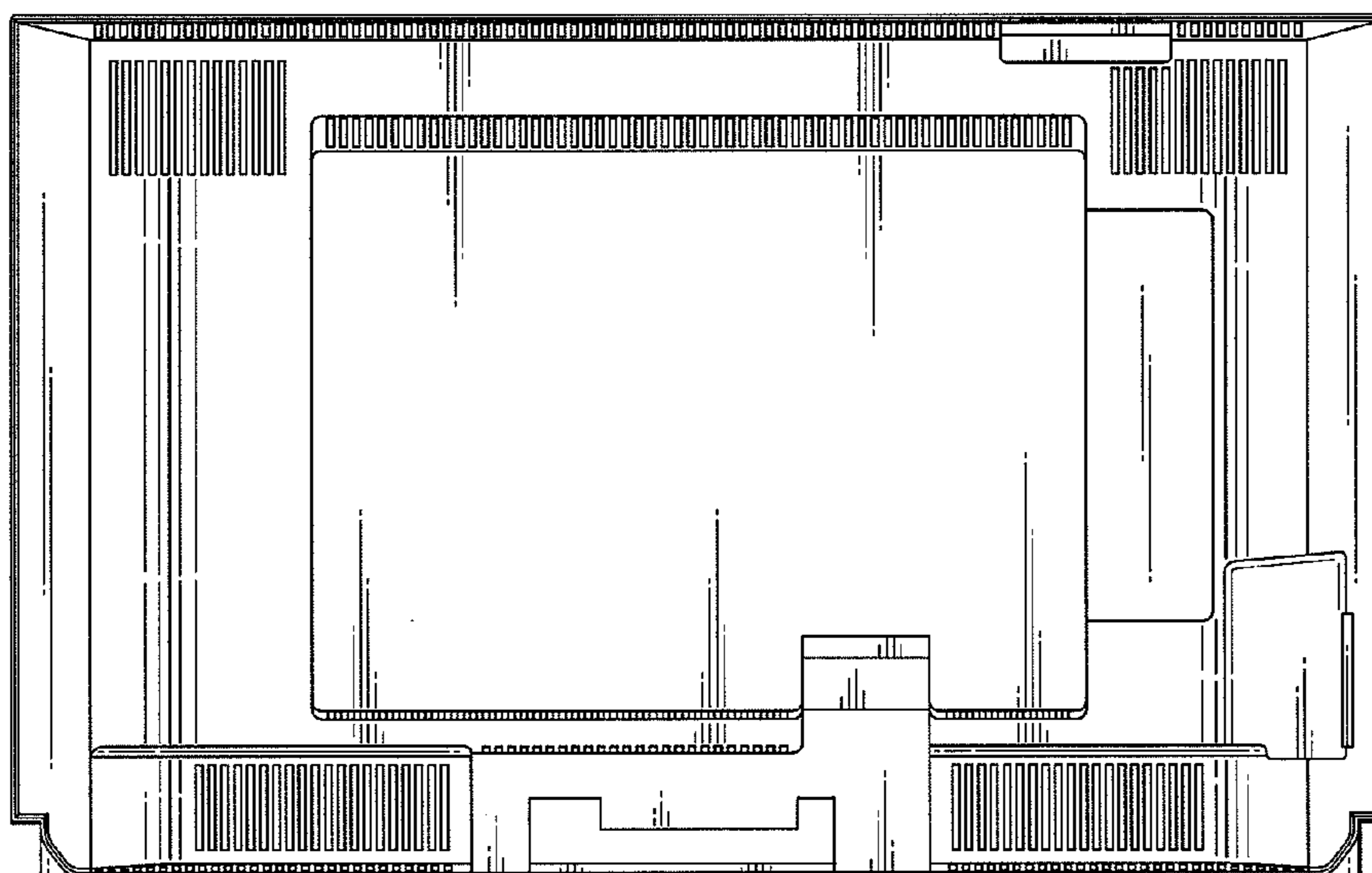


FIG.4

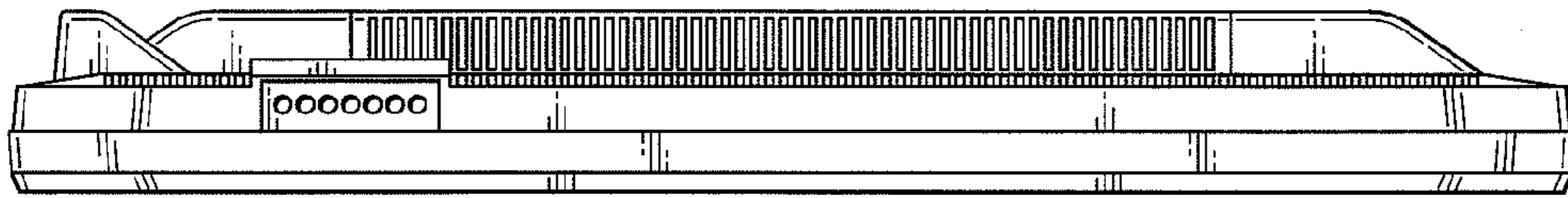


FIG.5

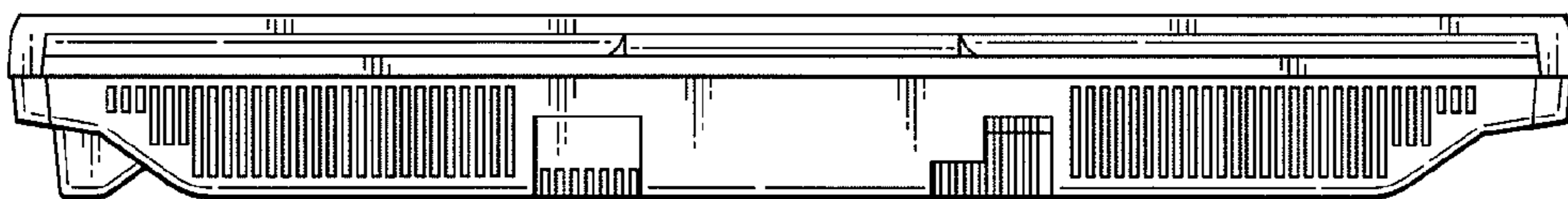


FIG.6

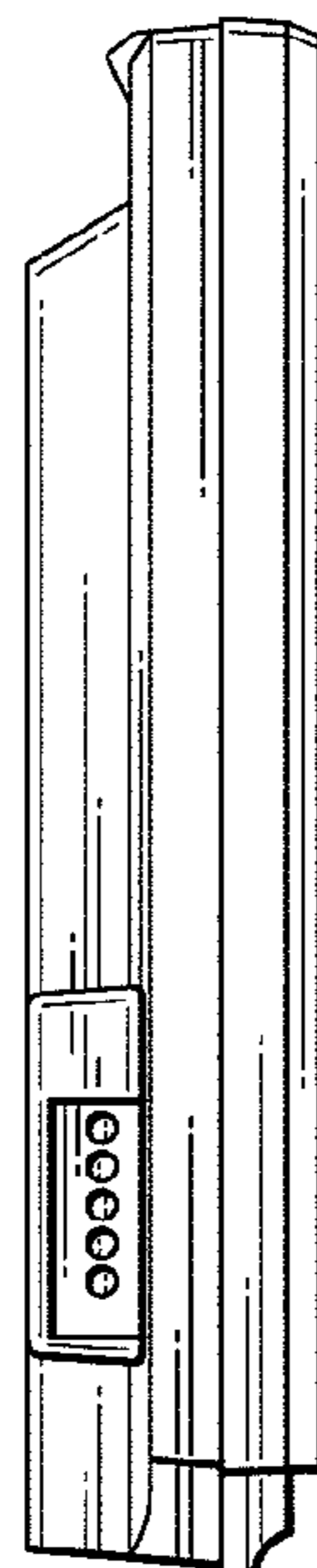


FIG.7

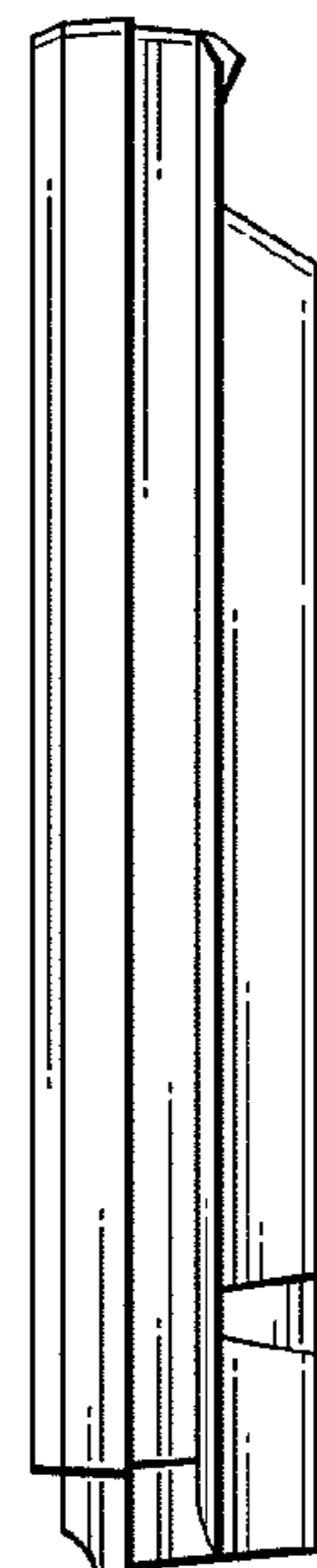


FIG. 8

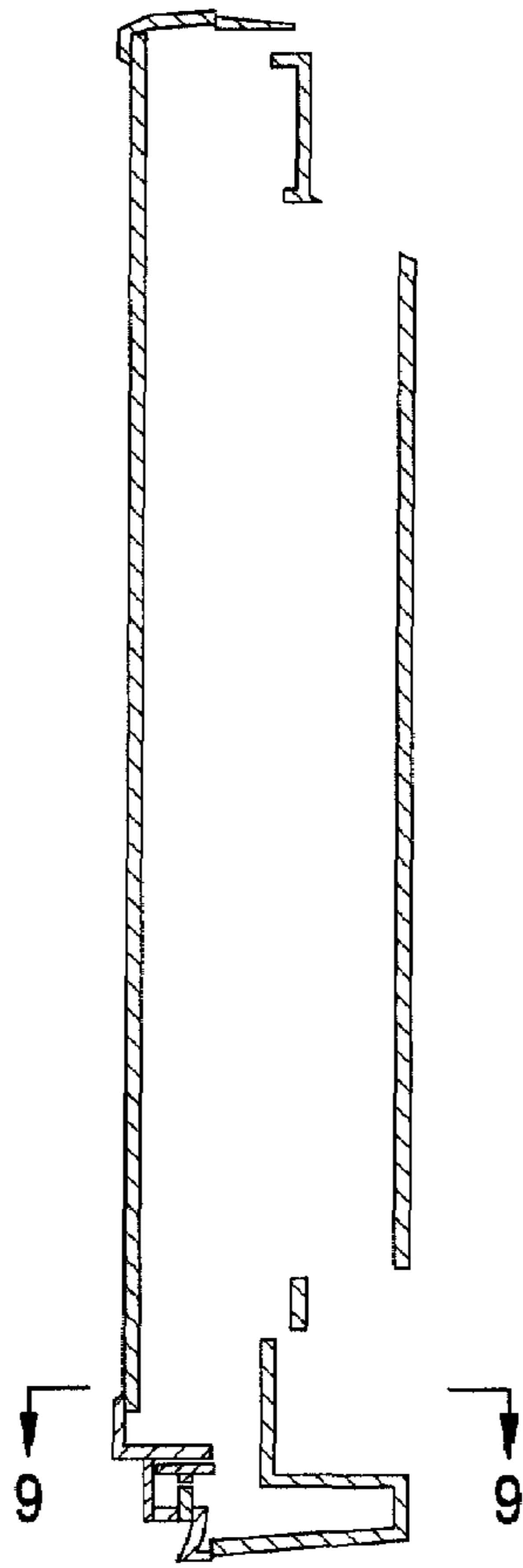


FIG. 9

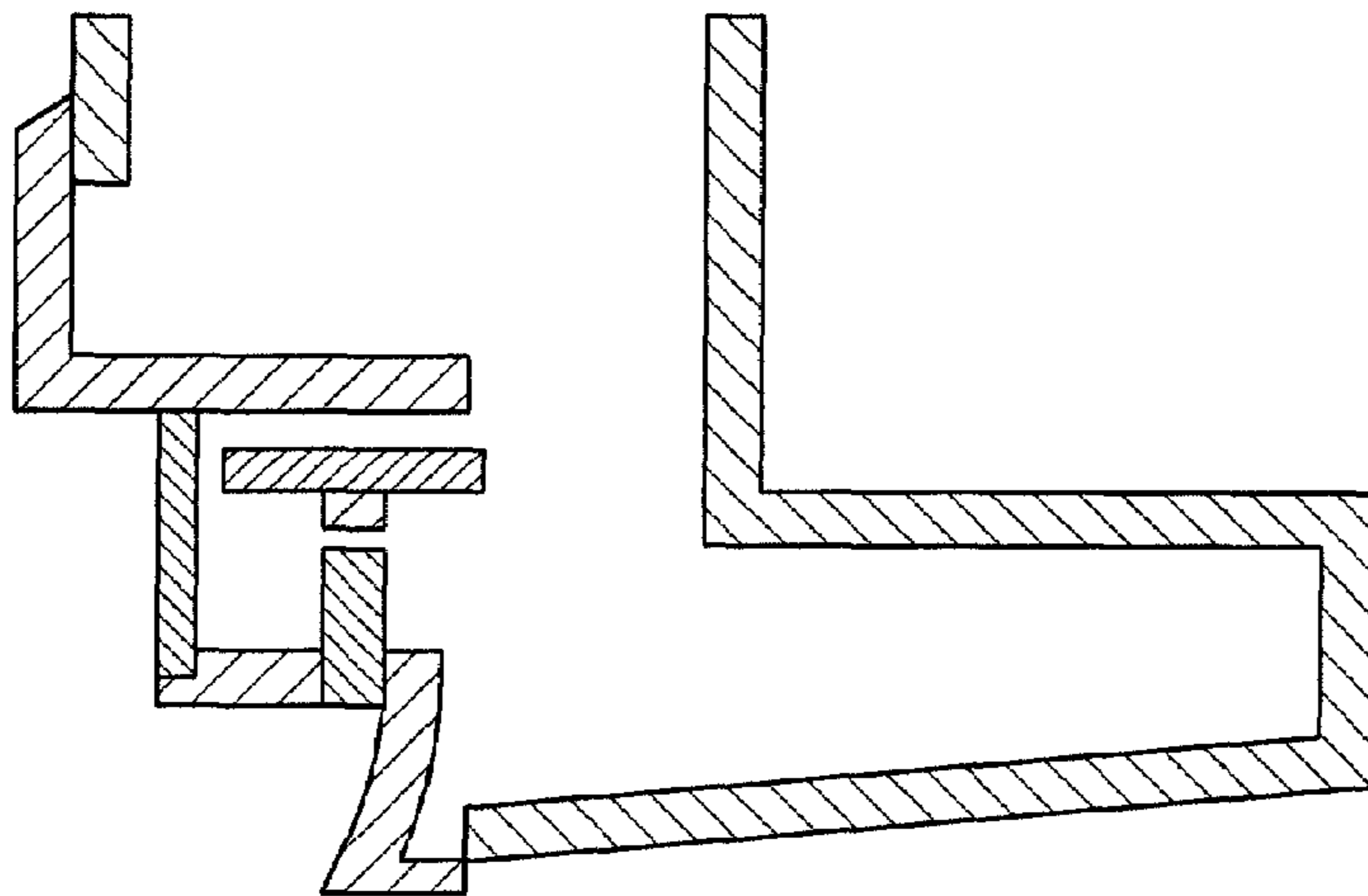


FIG.10

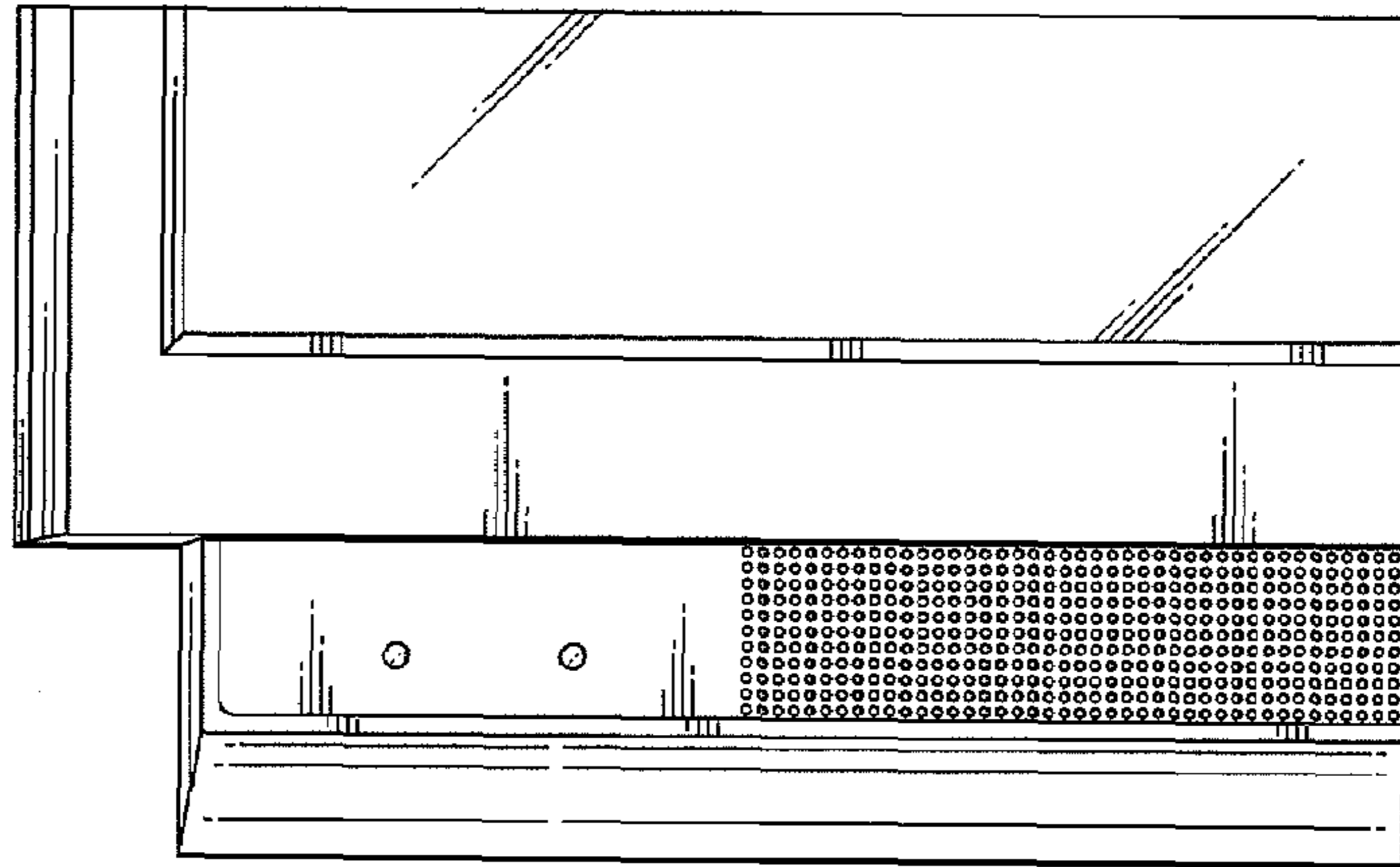


FIG.11

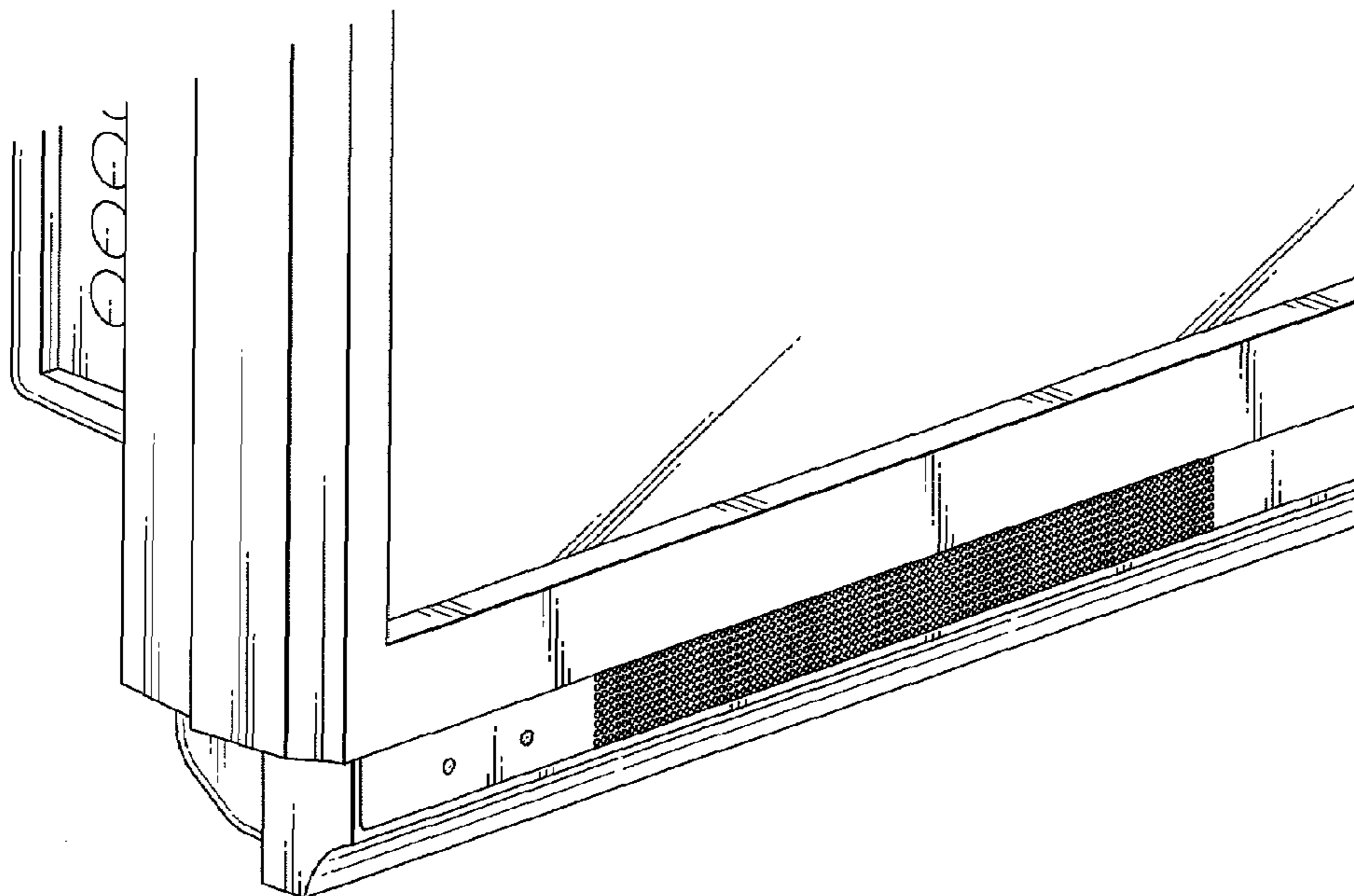


FIG. 12

