

US00D589917S

(12) **United States Design Patent**  
**Kaneko et al.**

(10) **Patent No.:** **US D589,917 S**

(45) **Date of Patent:** **\*\* Apr. 7, 2009**

(54) **LIQUID CRYSTAL TELEVISION**

(75) Inventors: **Takuji Kaneko**, Daito (JP); **Toshio Asada**, Osaka (JP)

(73) Assignee: **Funai Electric Company Limited.**, Osaka (JP)

(\*\*) Term: **14 Years**

(21) Appl. No.: **29/318,147**

(22) Filed: **May 14, 2008**

(30) **Foreign Application Priority Data**

Jan. 22, 2008 (JP) ..... 2008-001120

(51) **LOC (9) Cl.** ..... **14-03**

(52) **U.S. Cl.** ..... **D14/126**

(58) **Field of Classification Search** ..... D14/125-134, D14/239, 371, 136, 374-377, 440, 450, 448, D14/336, 342; 312/7.2; 348/836, 838, 180, 348/184, 325, 739; 341/12; 248/917-924, 248/465; 345/104, 133, 156, 168, 87, 173; 720/605, 669, 600, 655; 369/99, 197; D21/329, D21/515, 577, 622, 333, 433, 448, 452, 450, D21/331; D6/477, 479; 273/148 B; 446/484, 446/175, 356; D10/15, 26

See application file for complete search history.

(56) **References Cited**

**U.S. PATENT DOCUMENTS**

D456,788 S \* 5/2002 Haney et al. .... D14/126

D567,200 S \* 4/2008 Rieu Piquet ..... D14/126

D567,201 S \* 4/2008 Profit ..... D14/126

D572,679 S \* 7/2008 Asanuma et al. .... D14/126

D572,684 S \* 7/2008 Suzuki et al. .... D14/126

D574,343 S \* 8/2008 Olivet ..... D14/126

\* cited by examiner

*Primary Examiner*—Raphael Barkai

(74) *Attorney, Agent, or Firm*—Sughrue Mion, PLLC

(57) **CLAIM**

The ornamental design for a liquid crystal television, as shown and described.

**DESCRIPTION**

FIG. 1 is a front perspective view of the liquid crystal television of the present invention;

FIG. 2 is a front view thereof;

FIG. 3 is a rear view thereof;

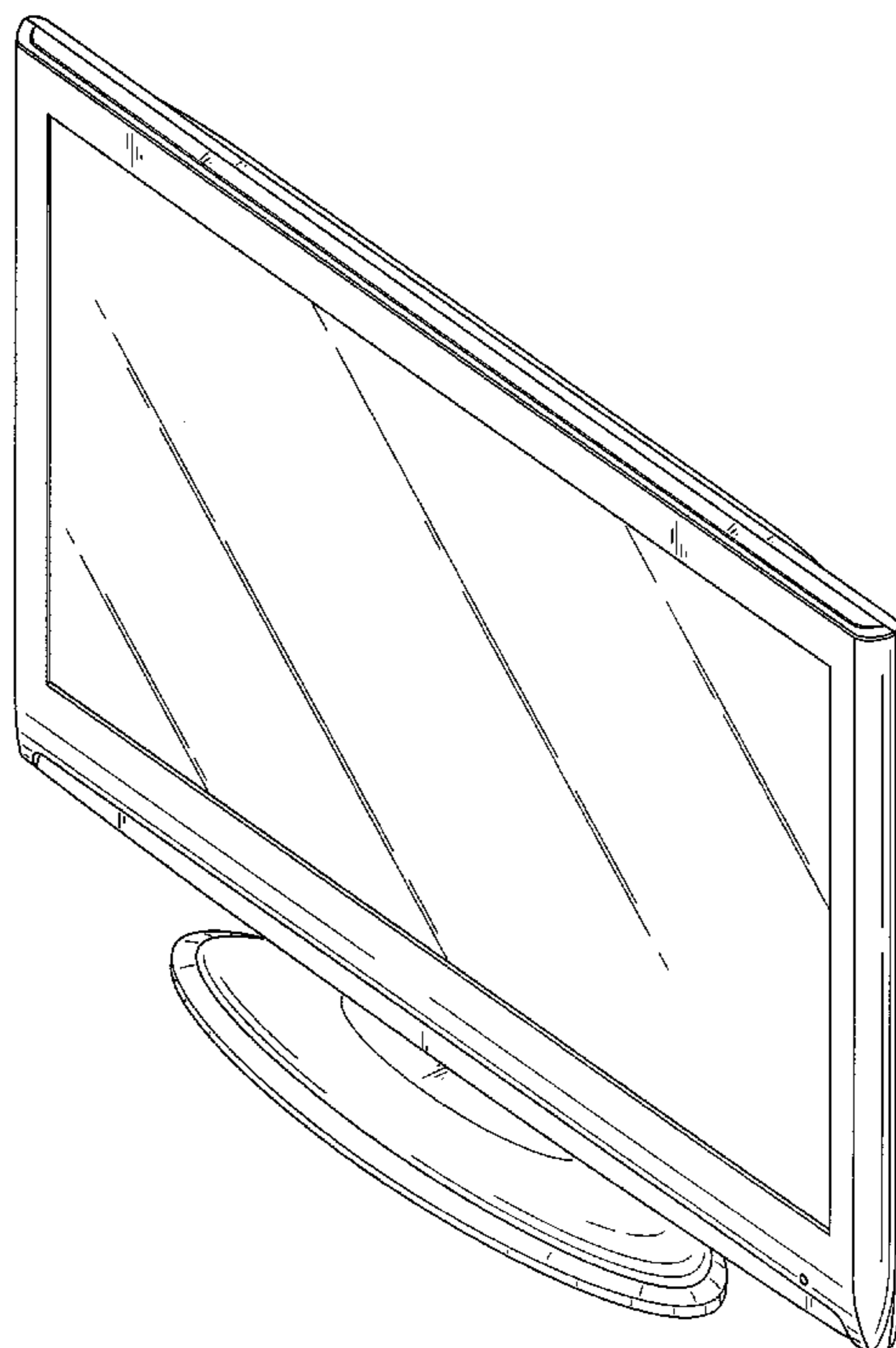
FIG. 4 is a first side view thereof;

FIG. 5 is a second side view thereof;

FIG. 6 is a top view thereof; and,

FIG. 7 is a bottom view thereof.

**1 Claim, 6 Drawing Sheets**



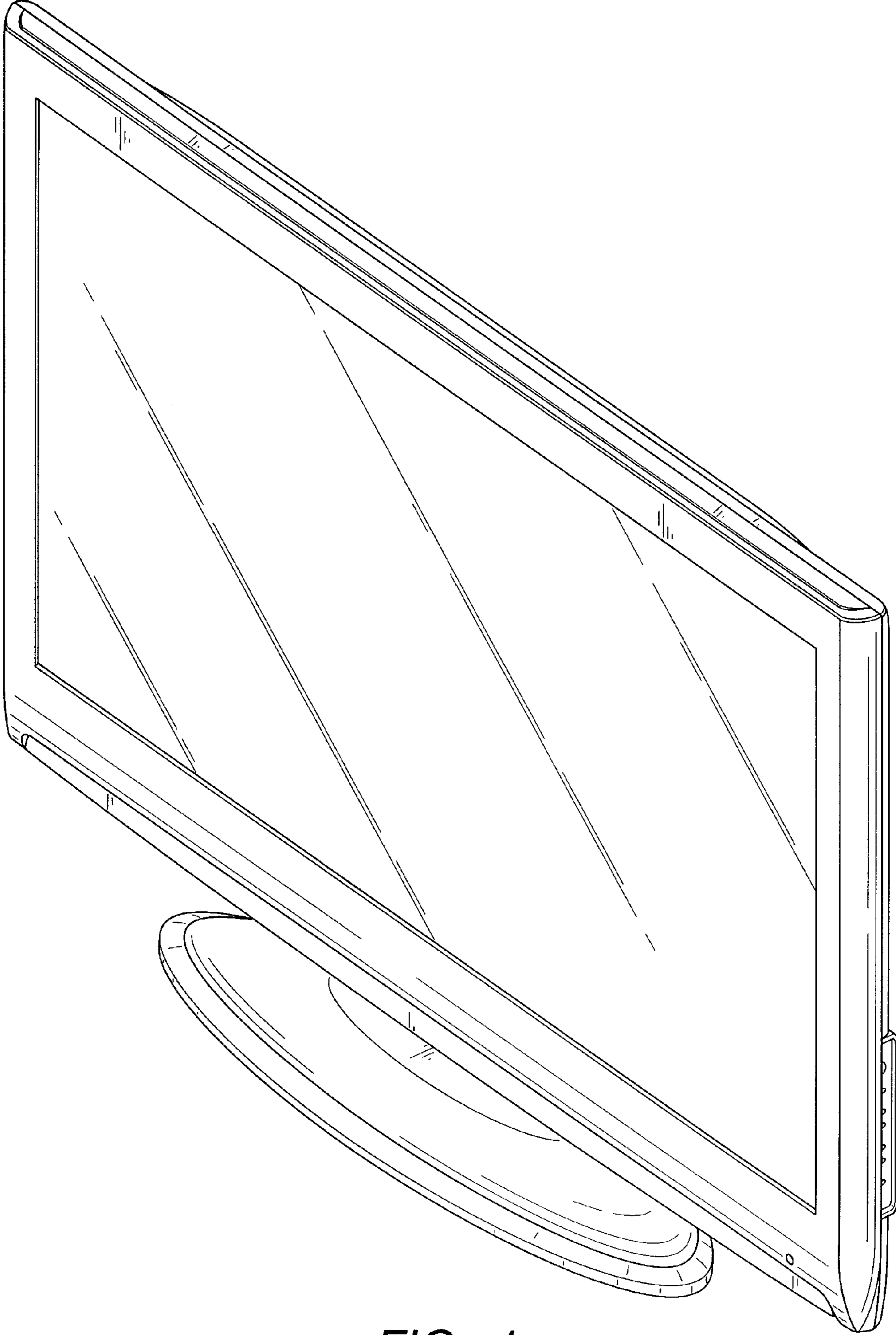


FIG. 1

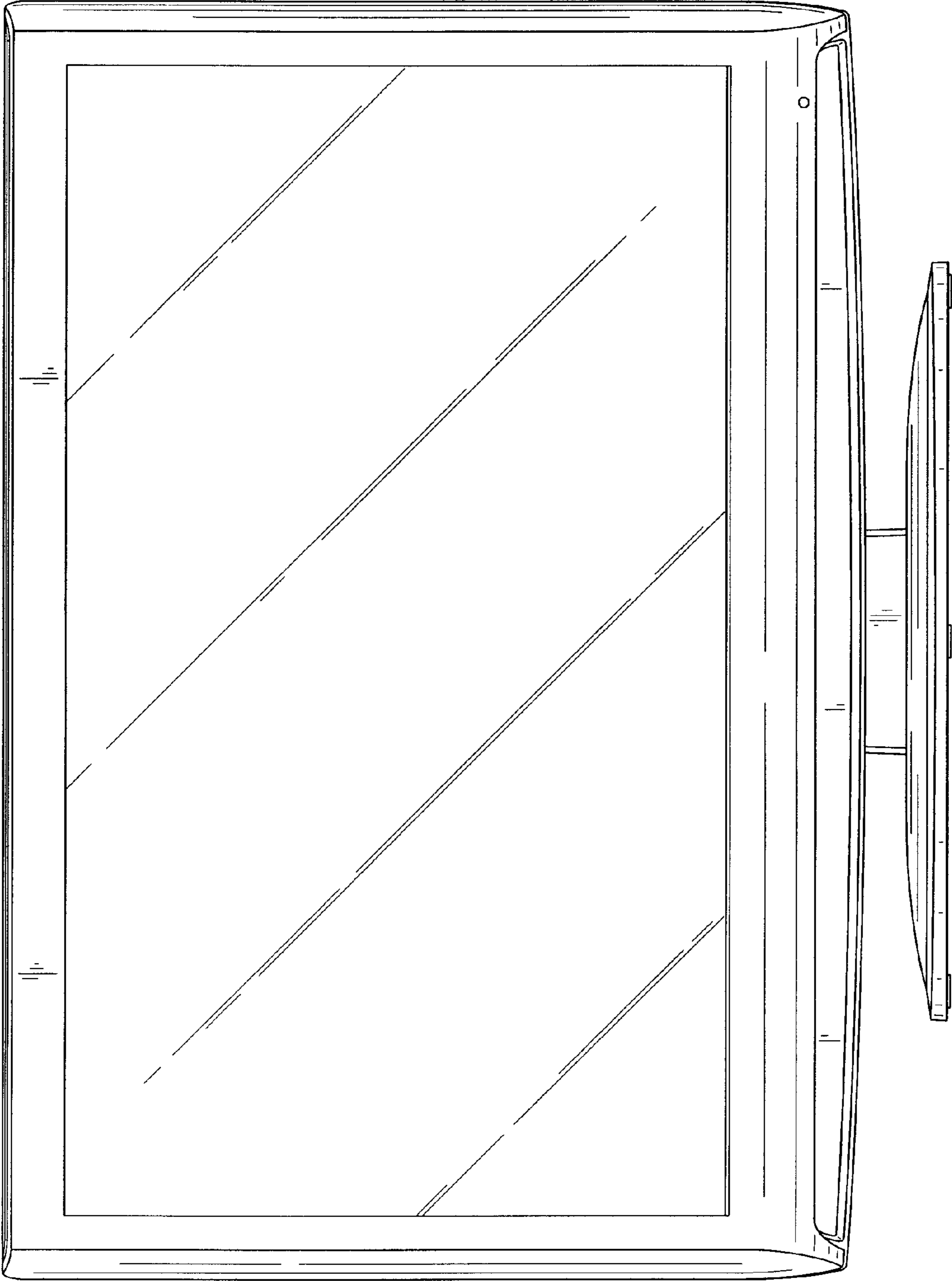


FIG. 2

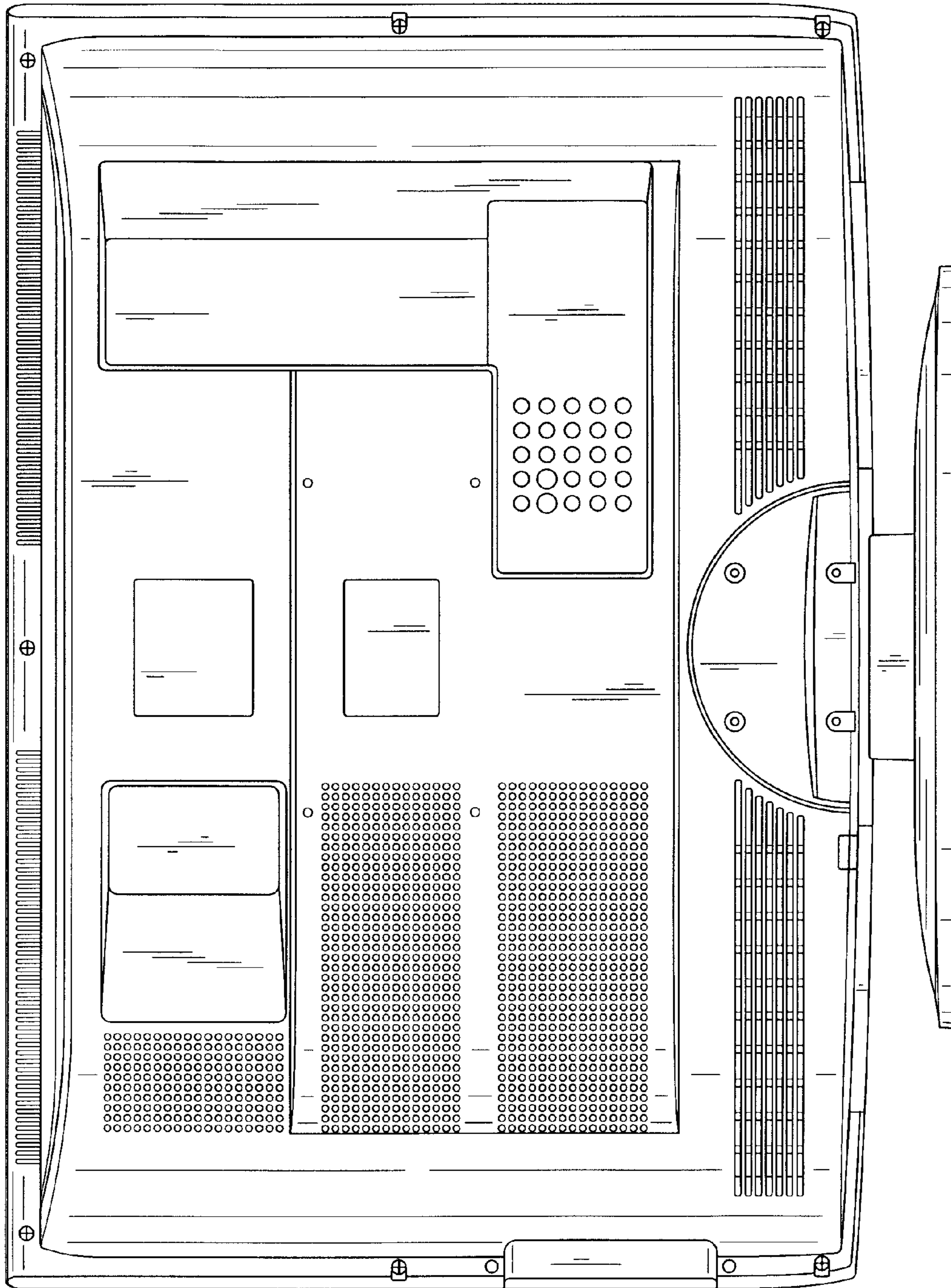
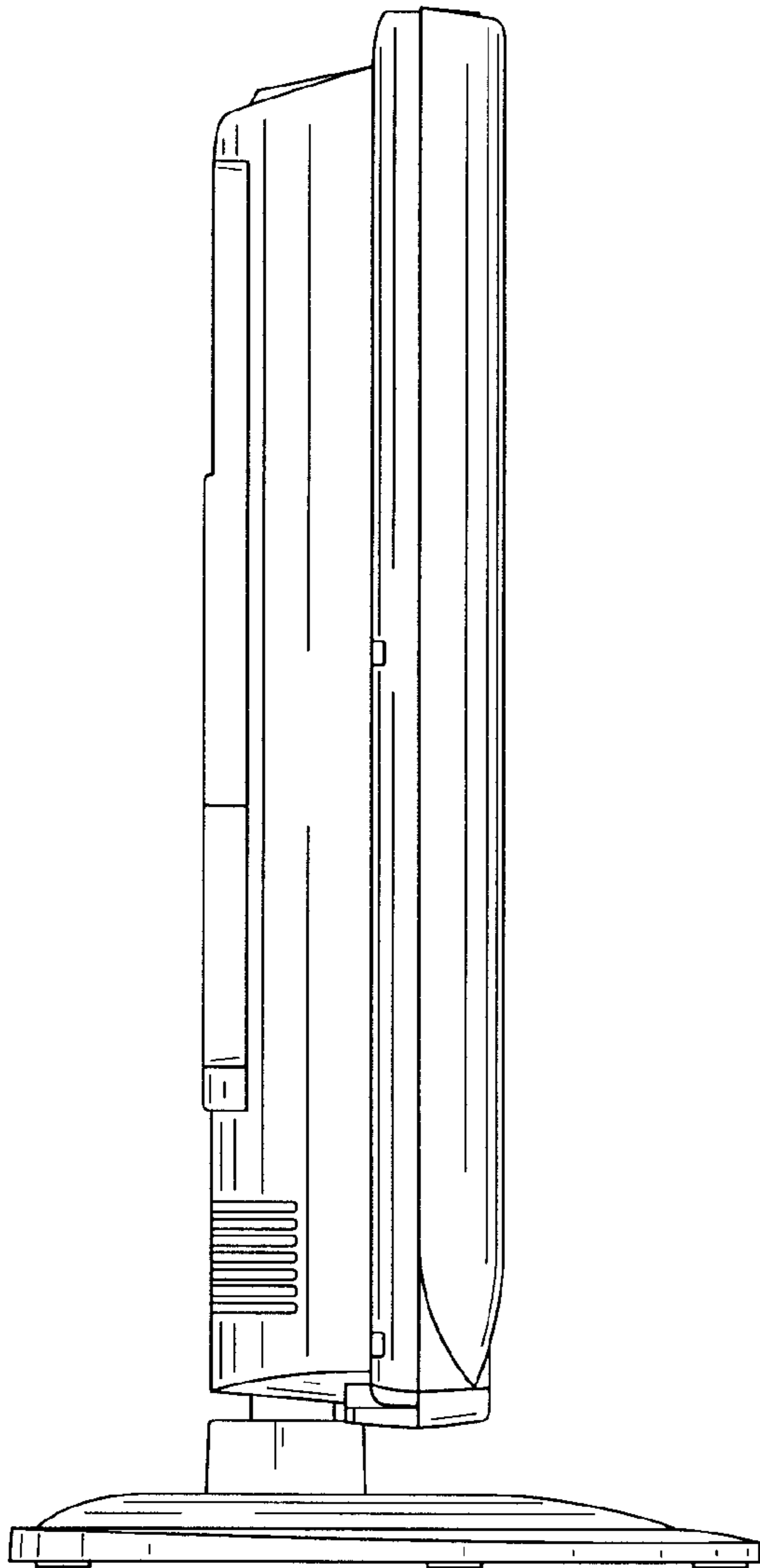
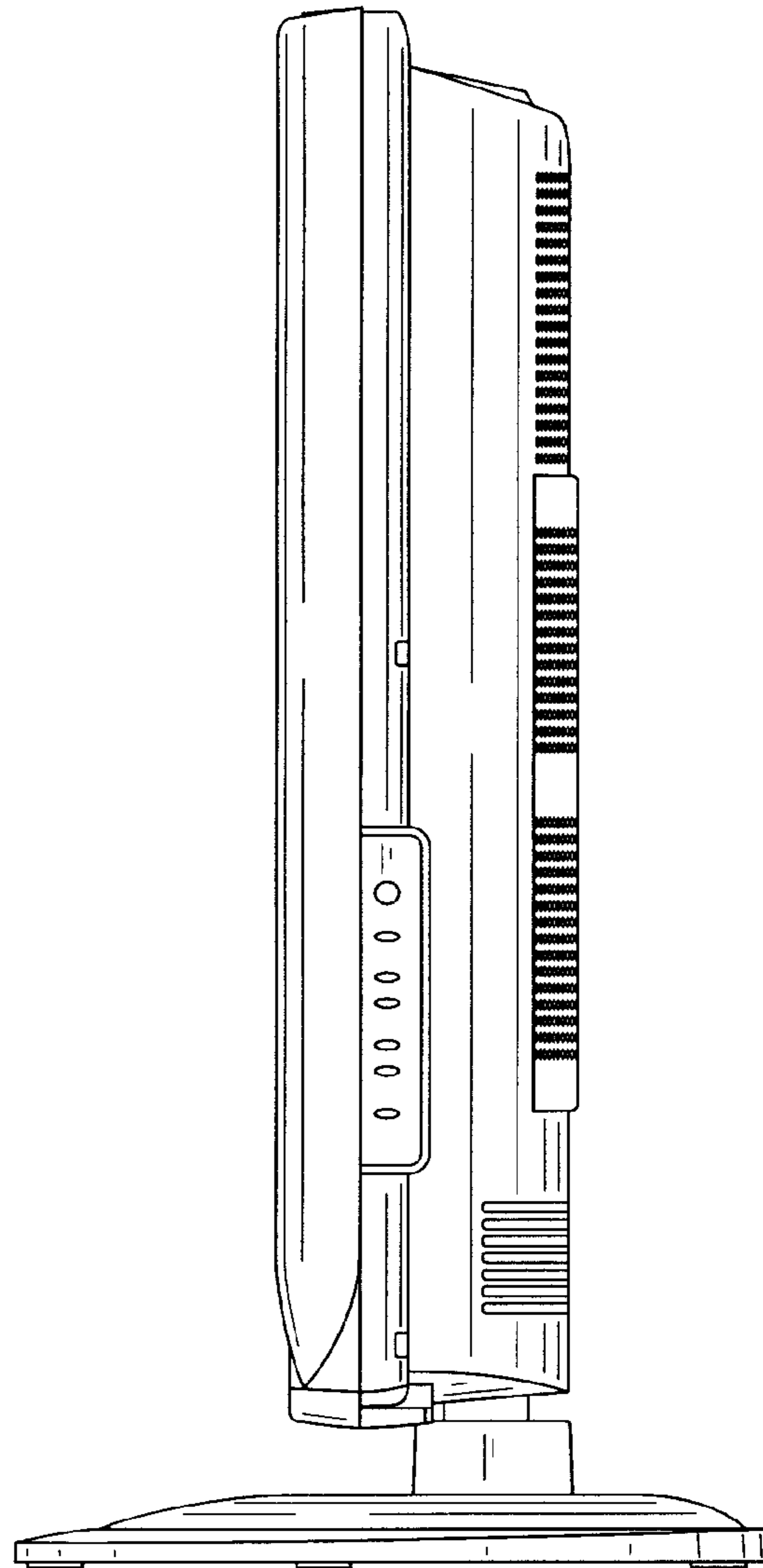


FIG. 3



*FIG. 4*



*FIG. 5*

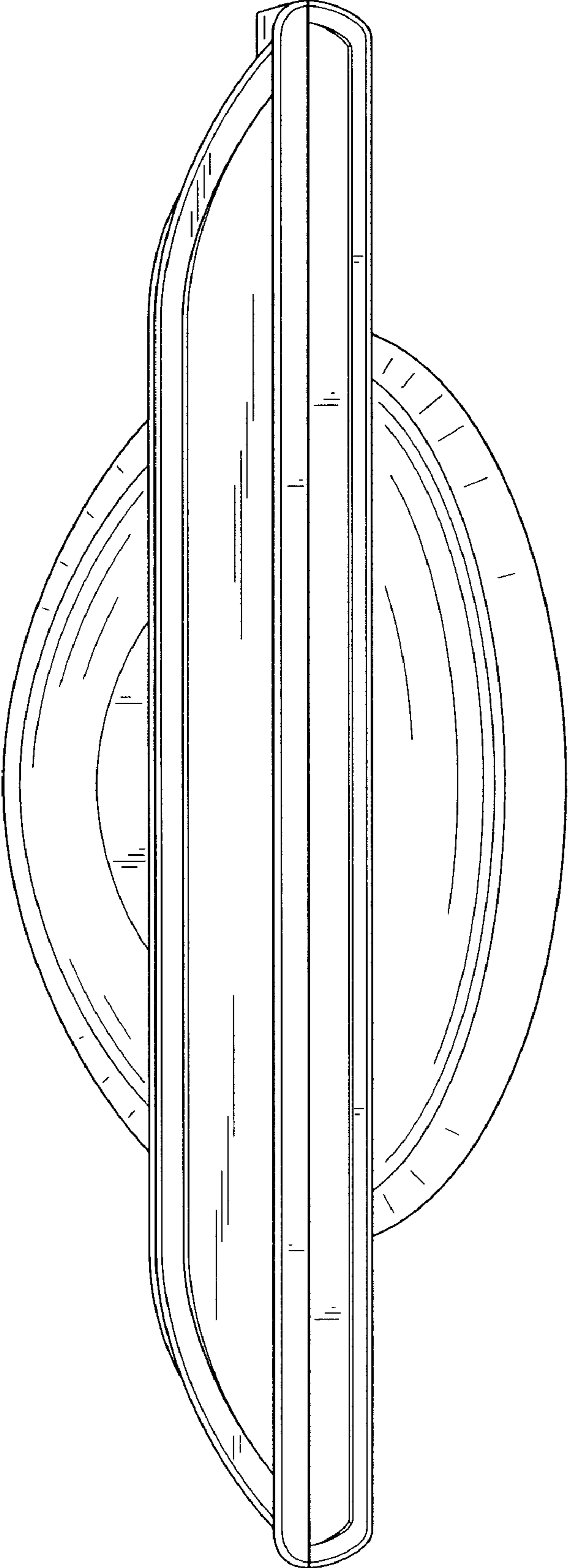


FIG. 6

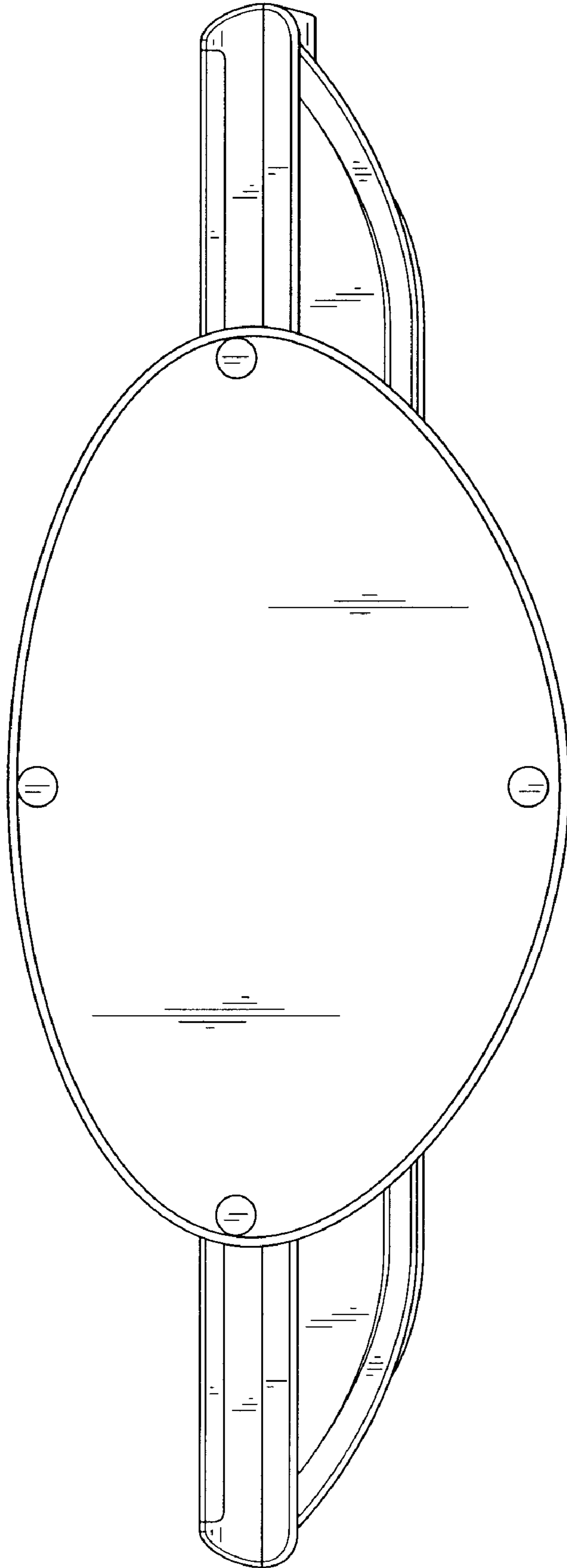


FIG. 7