



US00D589913S

(12) **United States Design Patent**  
**Pan et al.**

(10) **Patent No.:** **US D589,913 S**  
(45) **Date of Patent:** **\*\* Apr. 7, 2009**

(54) **FRONT BEZEL OF DIGITAL MEDIA ADAPTER**

D572,714 S \* 7/2008 Chen et al. .... D14/445  
D577,693 S \* 9/2008 King et al. .... D14/125  
D580,456 S \* 11/2008 Oh et al. .... D14/496

(75) Inventors: **Ning-Bo Pan**, Shenzhen (CN);  
**Hong-Jin Wu**, Shenzhen (CN);  
**Chun-Wen Wang**, Taipei Hsien (TW)

\* cited by examiner

*Primary Examiner*—Raphael Barkai  
*Assistant Examiner*—Randall H Gholson

(73) Assignee: **Hon Hai Precision Industry Co., Ltd.**,  
Tu-Cheng, Taipei Hsien (TW)

(74) *Attorney, Agent, or Firm*—D. Austin Bonderer

(\*\*) Term: **14 Years**

(57) **CLAIM**

(21) Appl. No.: **29/321,031**

The ornamental design for front bezel of digital media adapter, as shown and described.

(22) Filed: **Jul. 9, 2008**

**DESCRIPTION**

(51) **LOC (9) Cl.** ..... **14-03**

FIG. 1 is a perspective view of the design for the digital media adapter front bezel wherein broken lines illustrate environmental features;

(52) **U.S. Cl.** ..... **D14/125**

FIG. 2 is a front elevational view thereof;

(58) **Field of Classification Search** ..... D14/125–134,  
D14/239, 371, 136, 374–377; 312/7.2; 348/836,  
348/838, 180, 184, 325, 739; 341/12; 248/917–924,  
248/465, 123.11; 345/104, 133, 156, 168,  
345/87, 173, 169; 349/1, 2, 11, 62; 720/605,  
720/669, 600, 655, 99, 197; 455/344–347

FIG. 3 is a left side elevational view thereof;

FIG. 4 is a right side elevational view thereof;

FIG. 5 is a top plan view thereof;

FIG. 6 is a bottom plan view thereof; and,

See application file for complete search history.

FIG. 7 is a perspective view thereof being mounted to a digital media adapter case which is shown in broken lines for illustrative purposes only and forms no part of the claimed design.

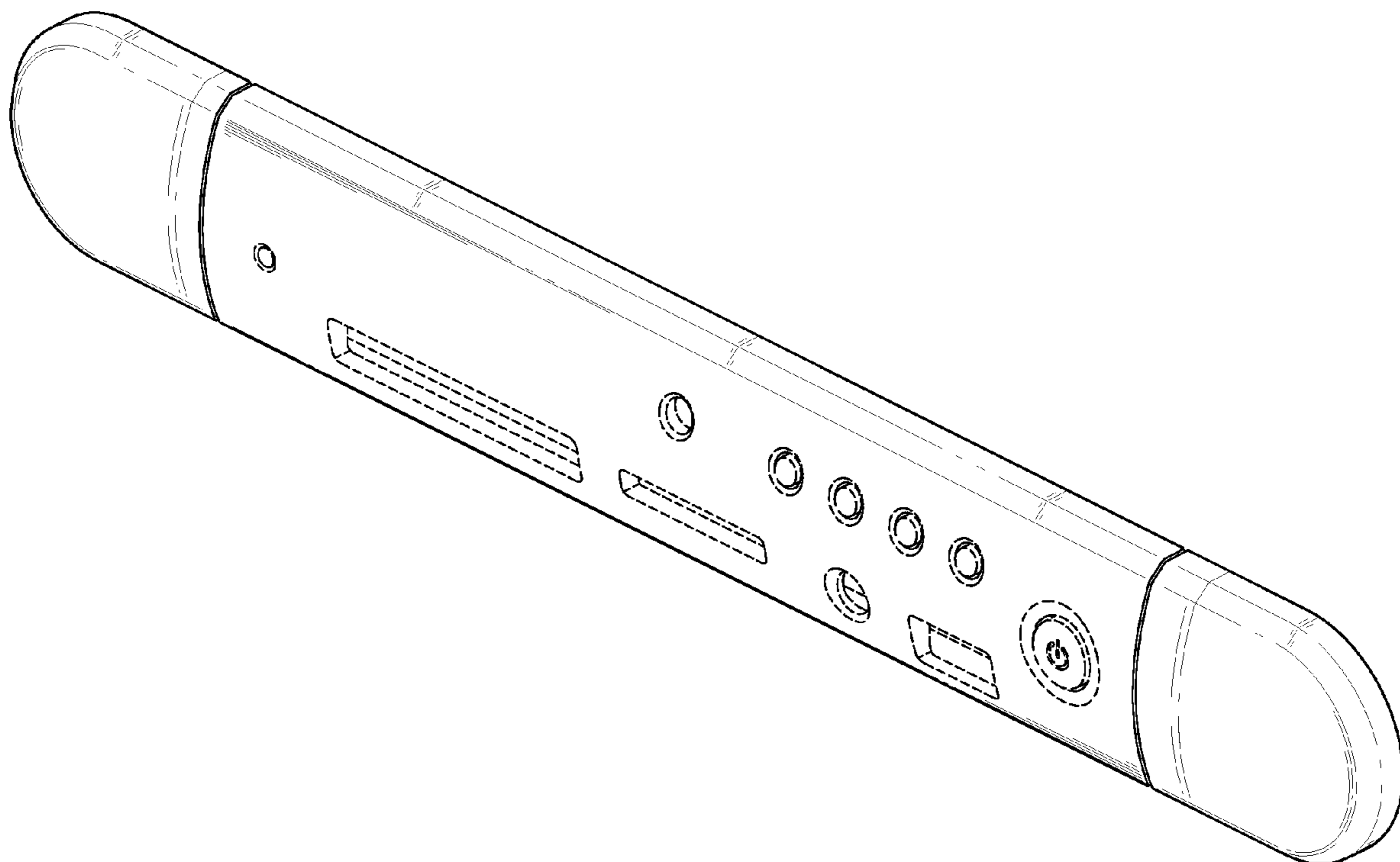
The broken line showing of front bezel of digital media adapter is for the purpose of illustrating environmental structures and forms no part of the claimed design.

(56) **References Cited**

U.S. PATENT DOCUMENTS

D490,796 S \* 6/2004 Allen ..... D14/507  
D526,331 S \* 8/2006 Lee ..... D14/203.7  
D542,242 S \* 5/2007 Mathews Reynolds et al. .. D14/  
125  
D556,705 S \* 12/2007 Reynolds et al. .... D14/125

**1 Claim, 7 Drawing Sheets**



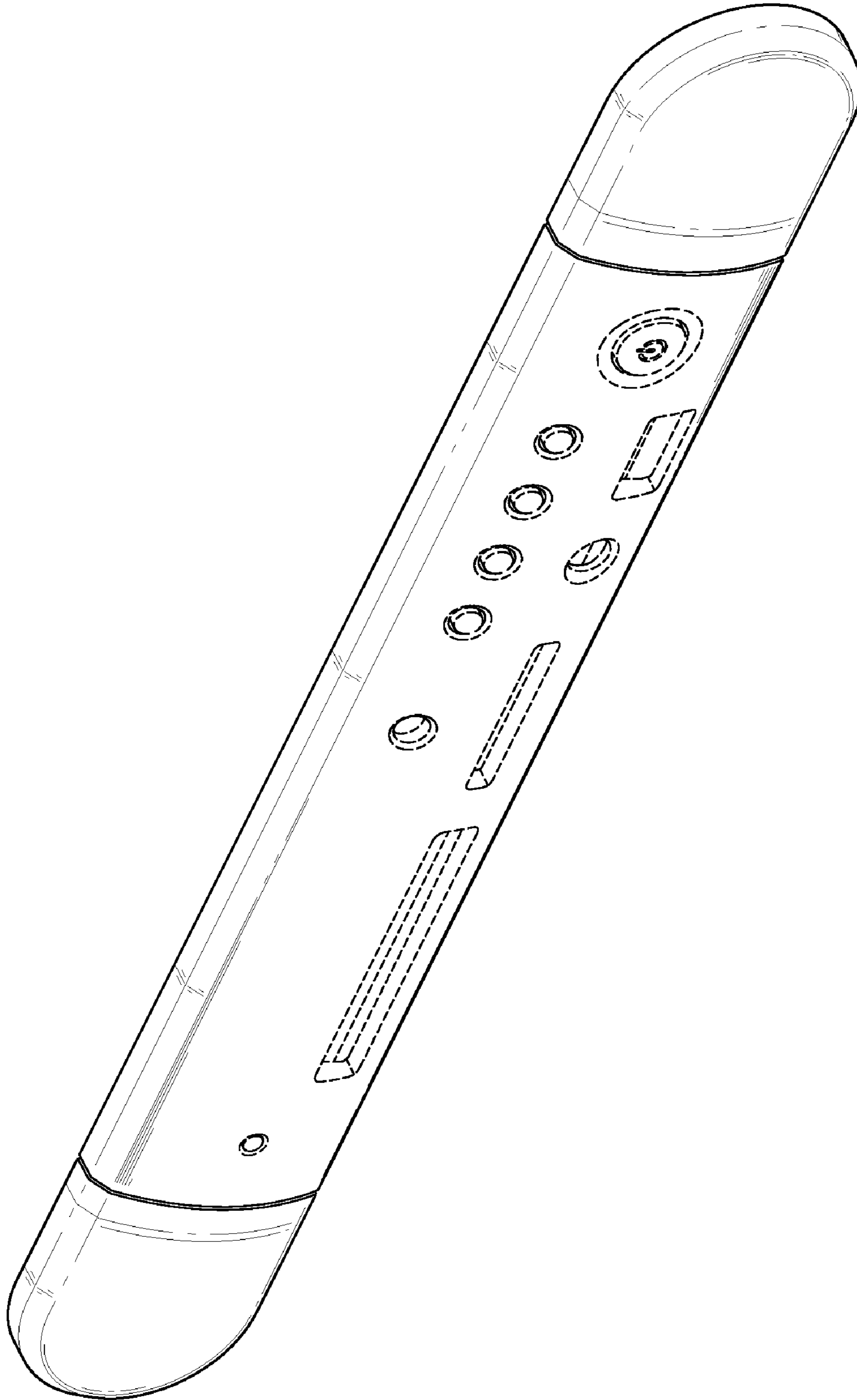


FIG. 1

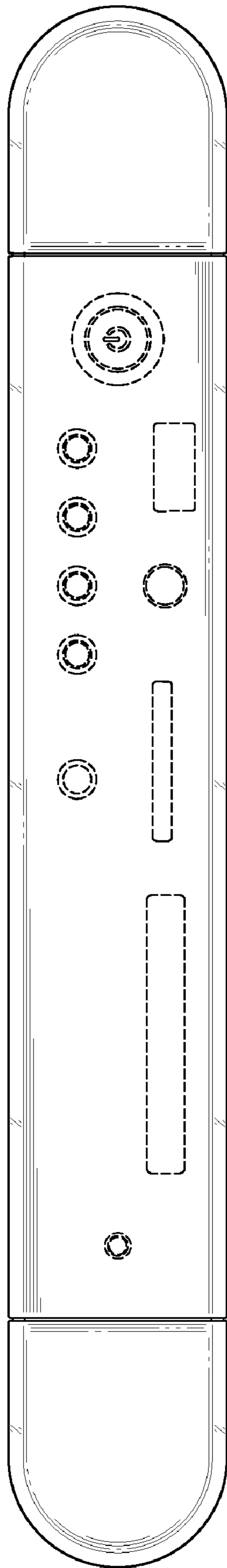


FIG. 2

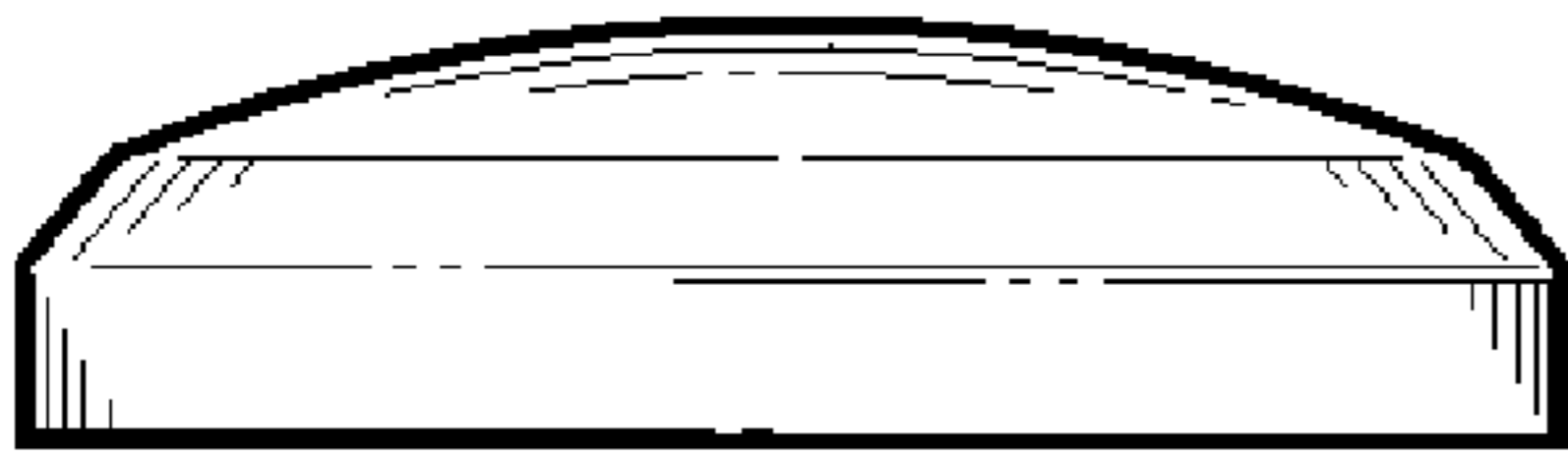


FIG. 3

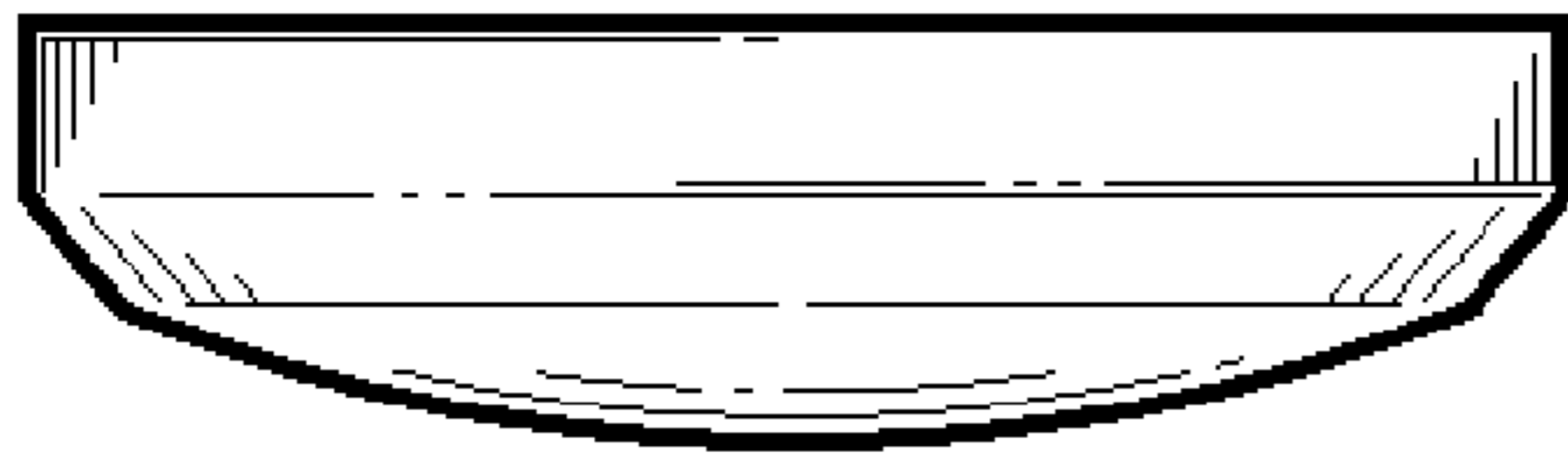


FIG. 4



FIG. 5

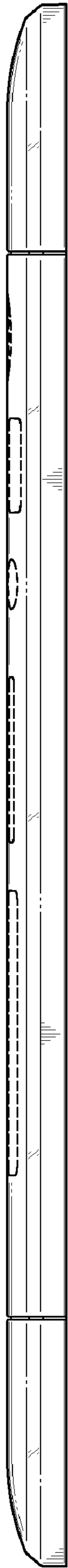


FIG. 6

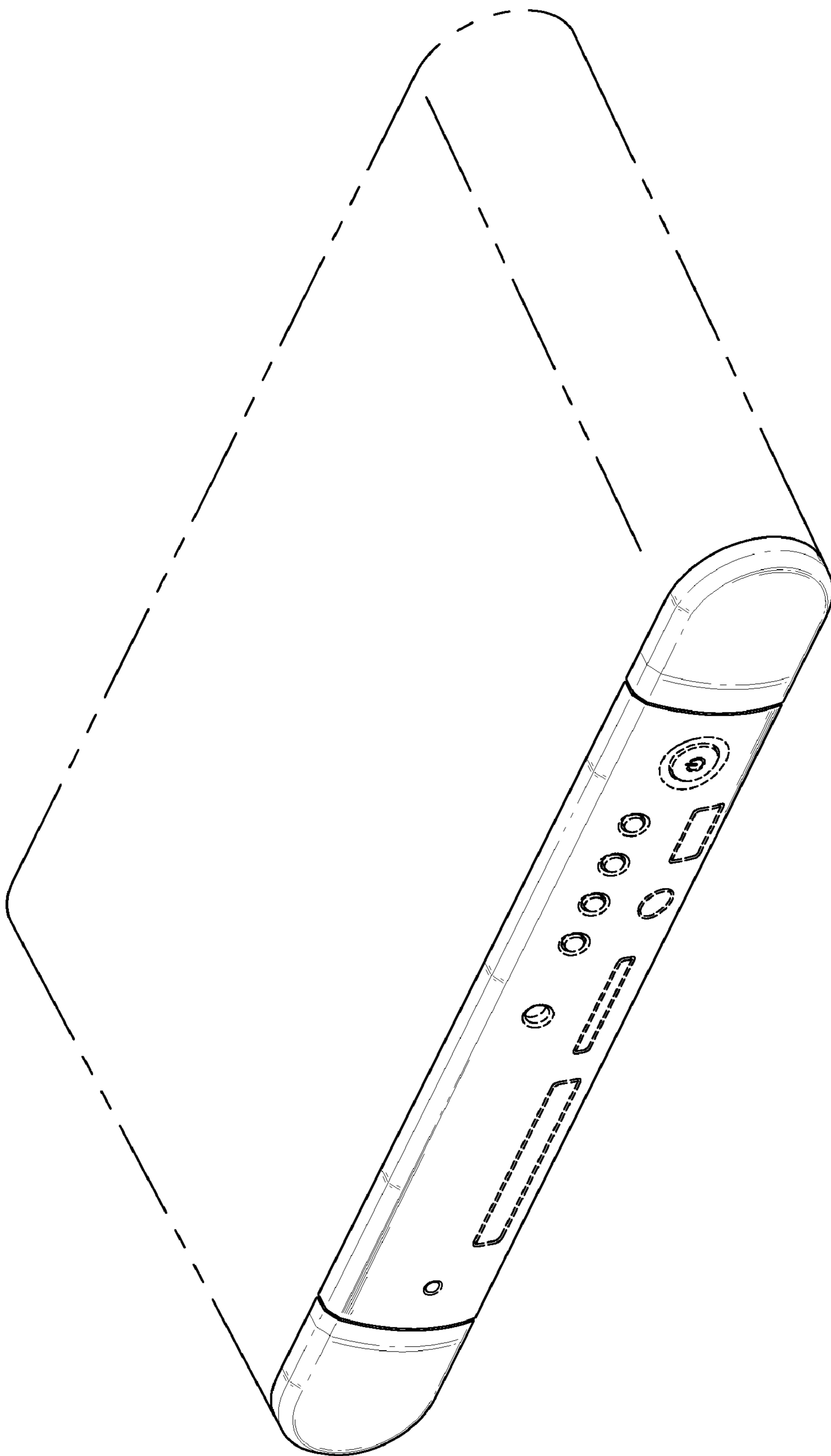


FIG. 7