



US00D589912S

(12) **United States Design Patent**
Ogasawara et al.

(10) **Patent No.:** **US D589,912 S**
(45) **Date of Patent:** **** Apr. 7, 2009**

(54) **WAFER HOLDING MEMBER**

(75) Inventors: **Ikuo Ogasawara**, Nirasaki (JP);
Munetoshi Nagasaka, Nirasaki (JP)

(73) Assignee: **Tokyo Electron Limited**, Tokyo (JP)

(**) Term: **14 Years**

(21) Appl. No.: **29/298,519**

(22) Filed: **Dec. 6, 2007**

(30) **Foreign Application Priority Data**

Jun. 6, 2007 (JP) 2007-15046

(51) **LOC (9) Cl.** **13-03**

(52) **U.S. Cl.** **D13/182**

(58) **Field of Classification Search** D13/182;
118/500, 725, 729; 414/217, 222.01, 416.03
See application file for complete search history.

(56) **References Cited**

U.S. PATENT DOCUMENTS

- 5,643,366 A * 7/1997 Somekh et al. 118/729
- 6,183,183 B1 * 2/2001 Goodwin et al. 414/217
- 6,190,114 B1 * 2/2001 Ogawa et al. 414/744.5
- 6,190,460 B1 * 2/2001 Hwang 118/729
- 6,405,610 B1 * 6/2002 Komatsu et al. 73/865.9
- D559,805 S * 1/2008 Hosaka D13/182
- 2001/0051088 A1 * 12/2001 Park et al. 414/416.03
- 2003/0169916 A1 * 9/2003 Hayashi et al. 382/145

2006/0120833 A1 * 6/2006 Bonora et al. 414/217

FOREIGN PATENT DOCUMENTS

KR 2007-00498810 5/2007

* cited by examiner

Primary Examiner—Selina Sikder

(74) *Attorney, Agent, or Firm*—Oblon, Spivak, McClelland,
Maier & Neustadt, P.C.

(57) **CLAIM**

The ornamental design for a wafer holding member or the like, as shown and described.

DESCRIPTION

FIG. 1 is a front elevational view of a wafer holding member or the like, showing our new design;

FIG. 2 is a rear elevational view thereof;

FIG. 3 is a top plan view thereof;

FIG. 4 is a bottom plan view thereof;

FIG. 5 is a right side elevational view thereof;

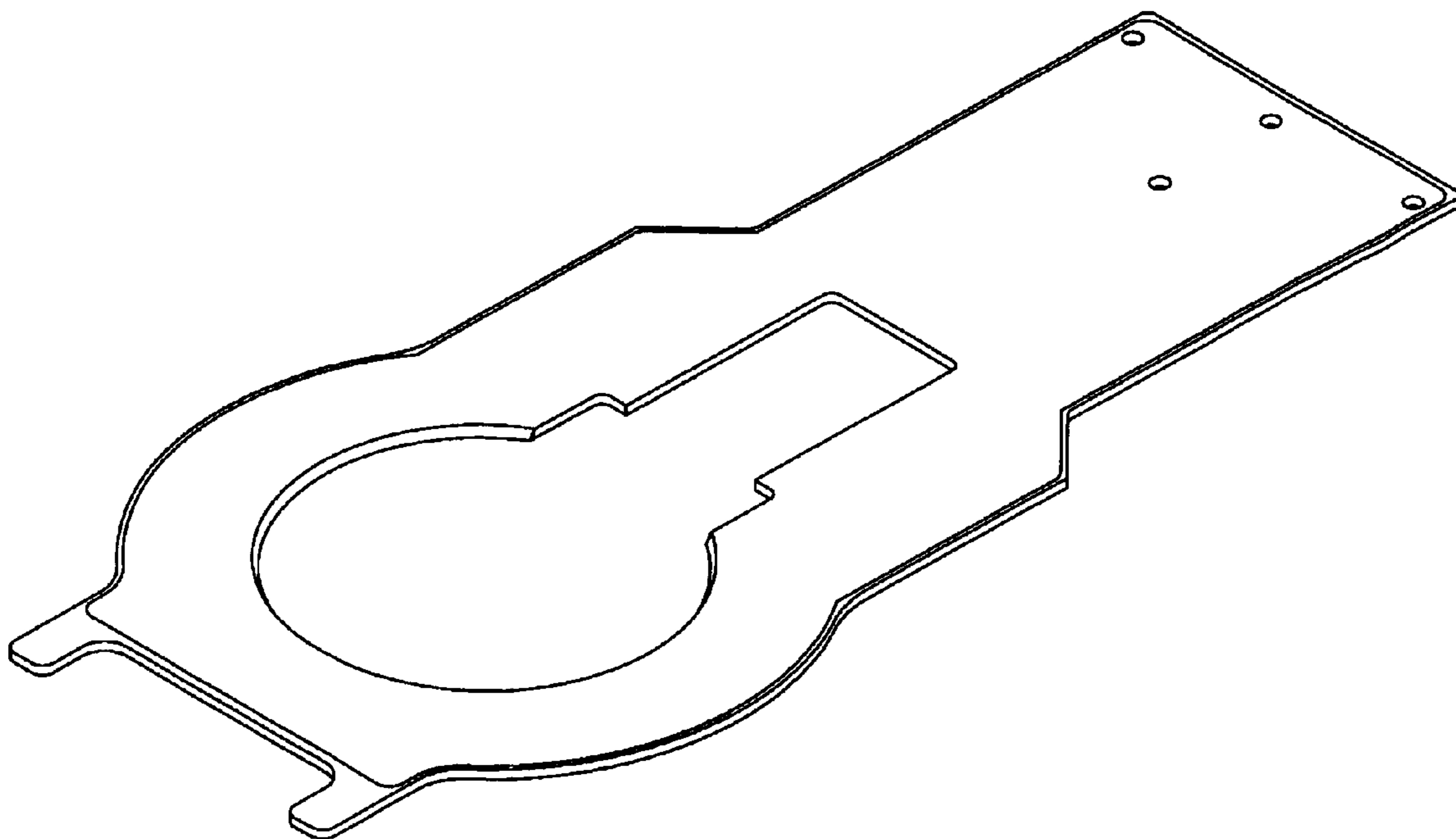
FIG. 6 is a left side elevational view thereof;

FIG. 7 is a top, front and right side perspective view thereof;

FIG. 8 is a bottom, front and left side perspective view thereof; and,

FIG. 9 is a cross-sectional view thereof taken along line 9—9 in FIG. 1.

1 Claim, 9 Drawing Sheets



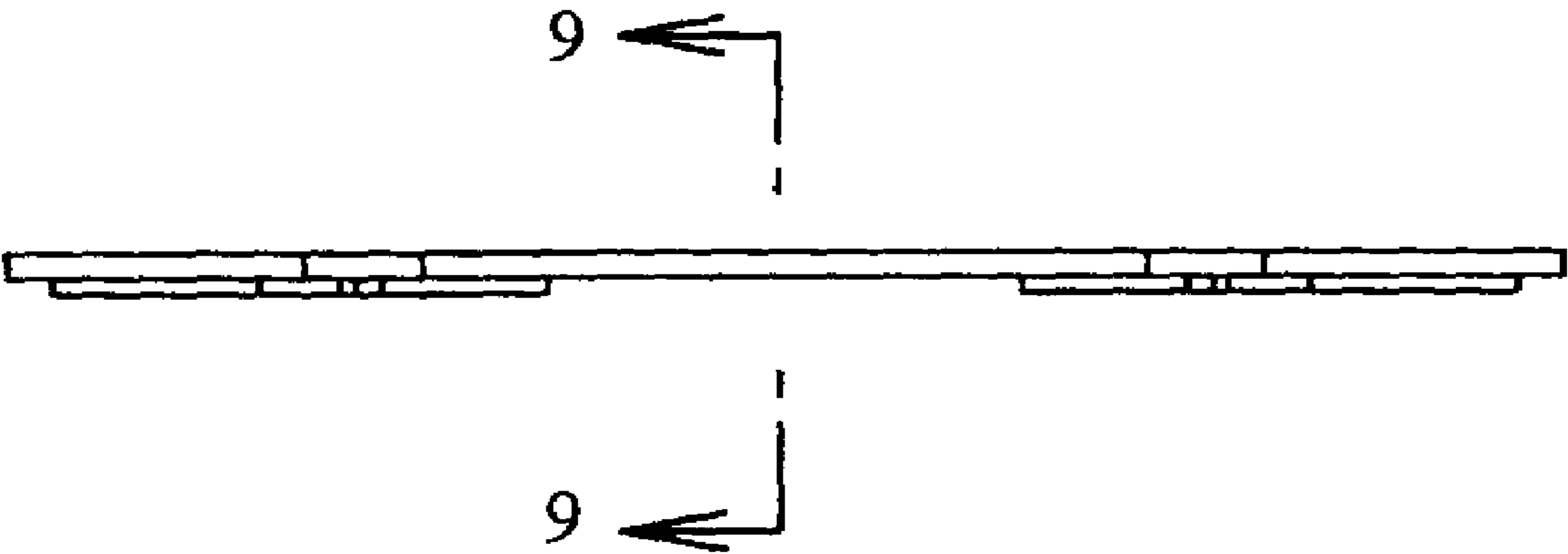


Fig. 1

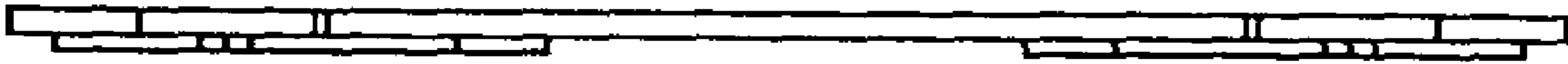


Fig. 2

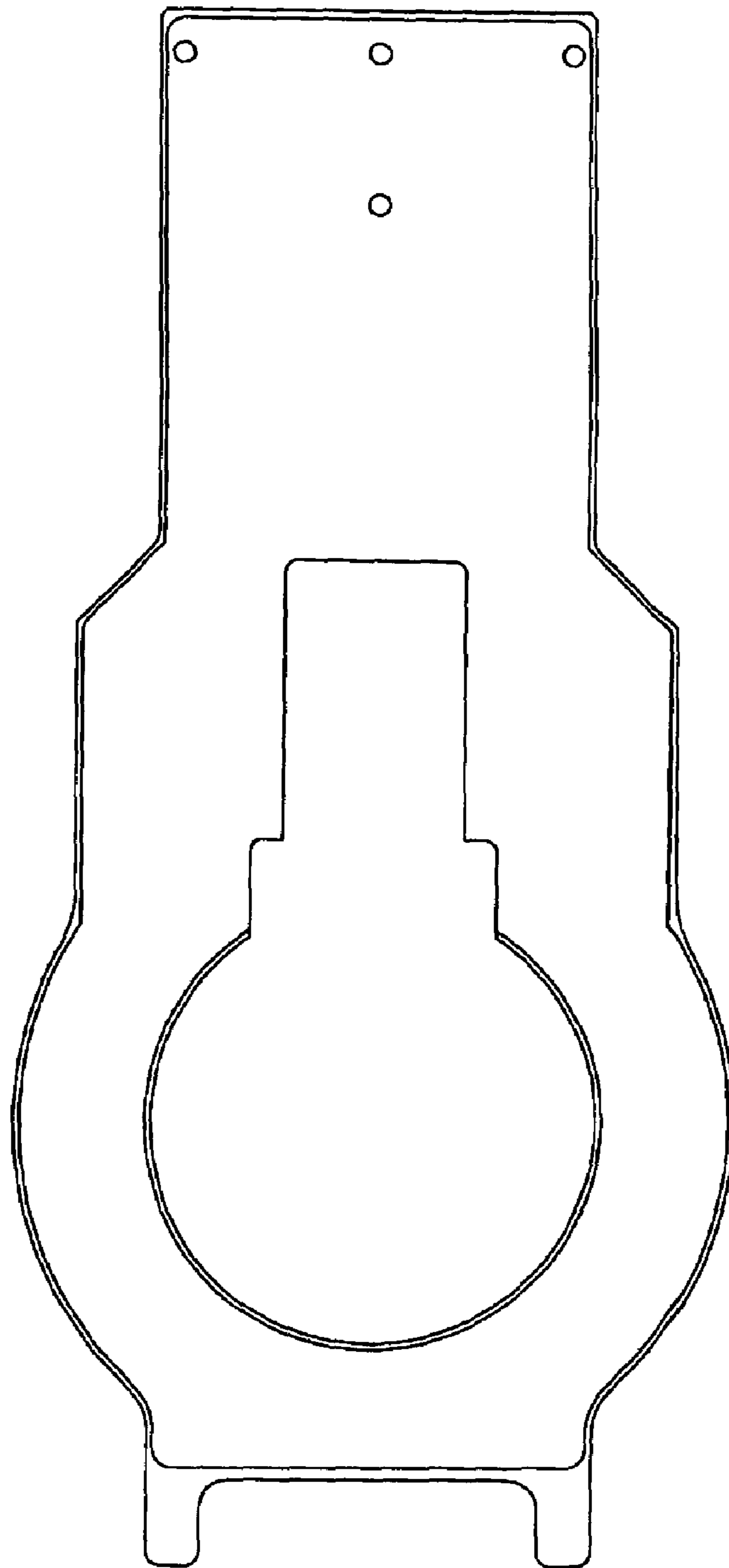


Fig. 3

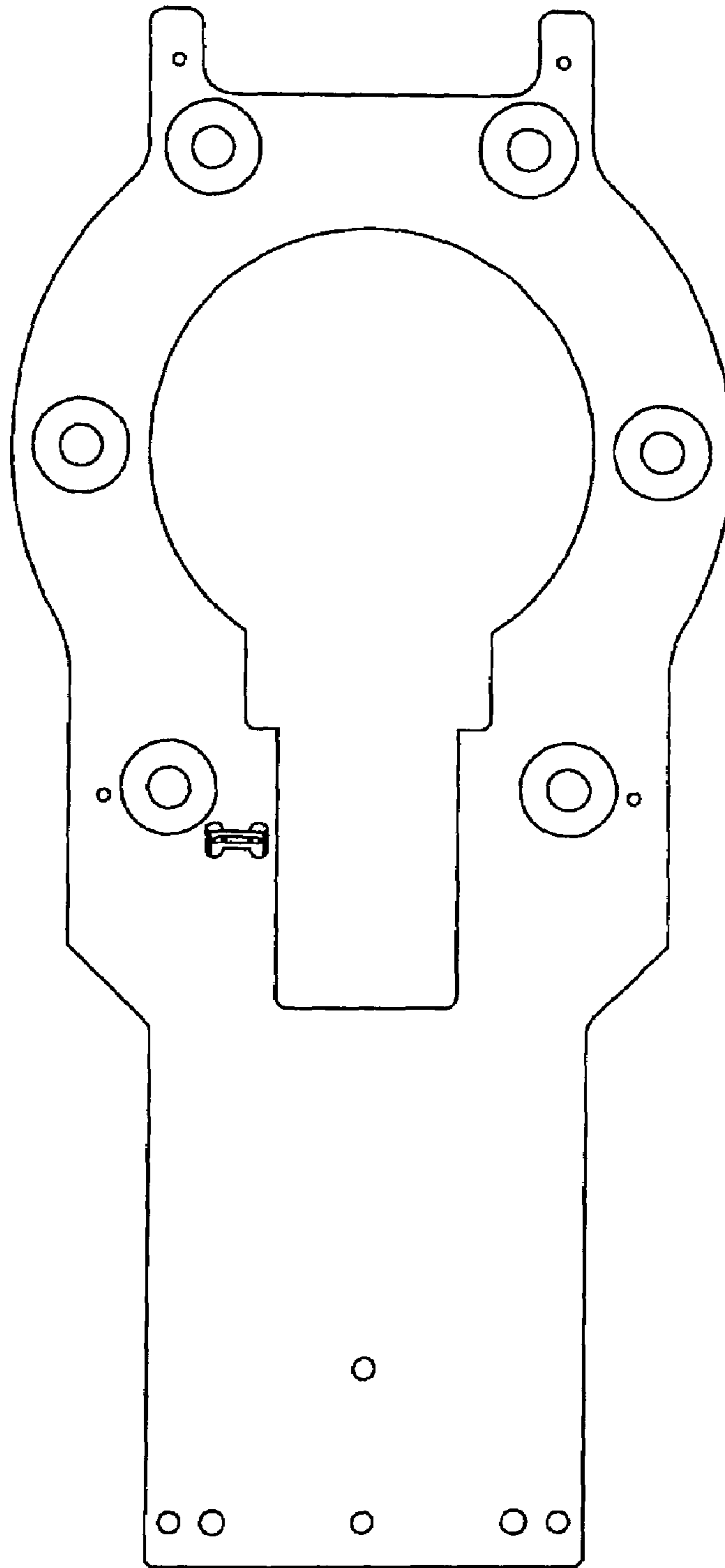


Fig. 4

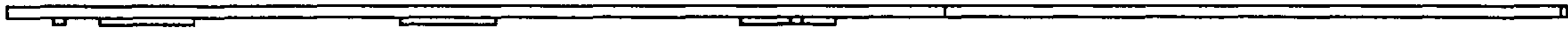


Fig. 5

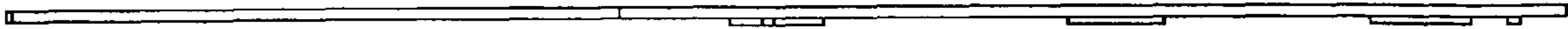


Fig. 6

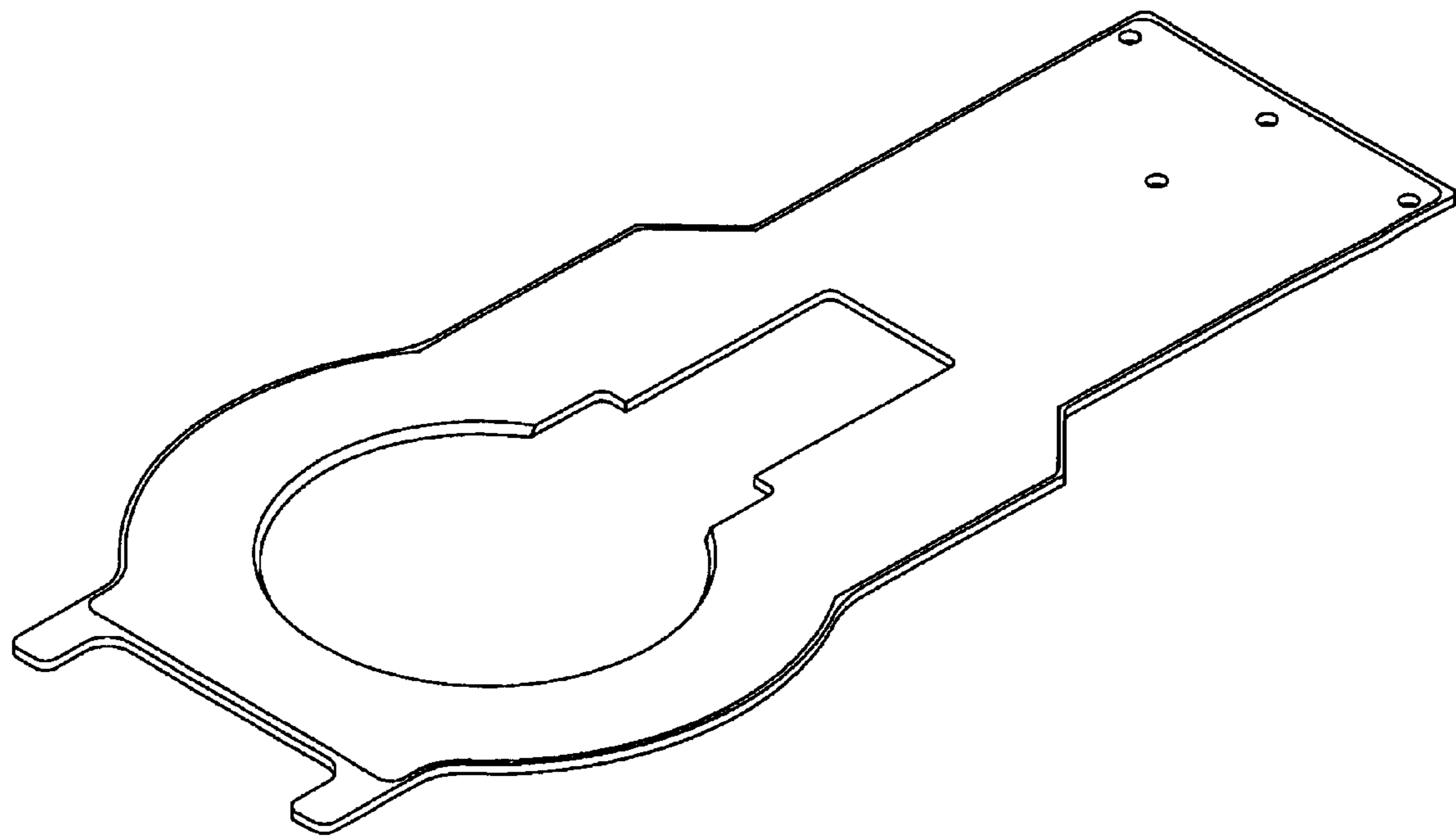


Fig. 7

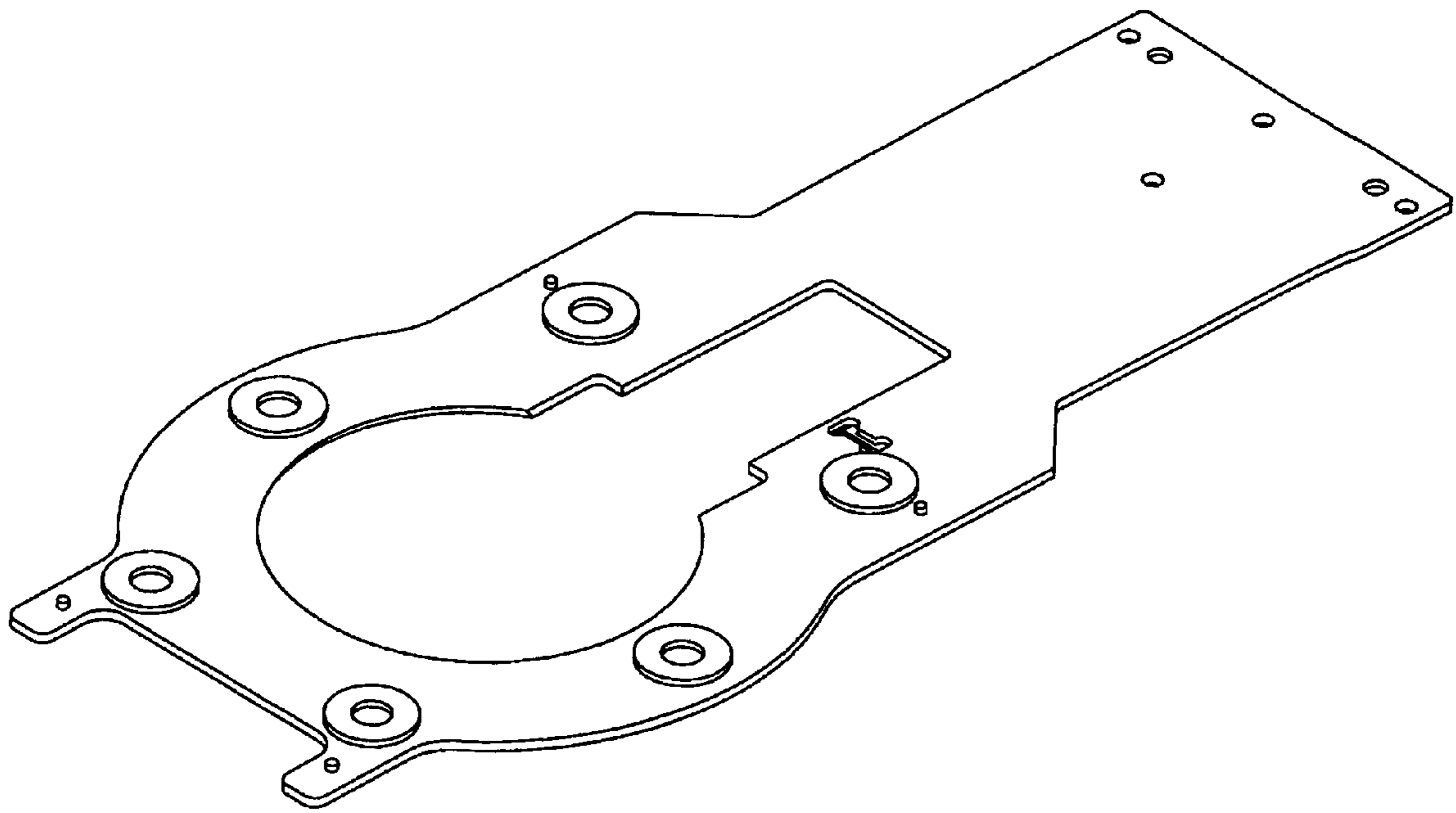


Fig. 8

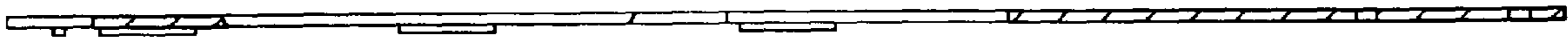


Fig. 9