



US00D589911S

(12) **United States Design Patent**  
**Lee et al.**

(10) **Patent No.:** **US D589,911 S**  
(45) **Date of Patent:** **\*\* Apr. 7, 2009**

(54) **LIGHT EMITTING DIODE (LED)**

(75) Inventors: **Kun-Chui Lee**, Chung-Ho (TW);  
**Chih-Li Yu**, Chung-Ho (TW)

(73) Assignee: **Bright View Electronics Co., Ltd.**,  
Taipei Hsien (TW)

(\*\*) Term: **14 Years**

(21) Appl. No.: **29/319,320**

(22) Filed: **Jun. 6, 2008**

(30) **Foreign Application Priority Data**

Mar. 18, 2008 (TW) ..... 097321581

(51) **LOC (9) Cl.** ..... **13-03**

(52) **U.S. Cl.** ..... **D13/180**

(58) **Field of Classification Search** ..... D13/180;  
D26/2; 257/79, 80, 81, 88, 89, 95, 98, 99,  
257/100; 313/483, 498, 500; 362/555, 800  
See application file for complete search history.

(56) **References Cited**

**U.S. PATENT DOCUMENTS**

D529,451 S \* 10/2006 Kim et al. .... D13/180

D531,141 S \* 10/2006 Tzeng ..... D13/180  
D566,054 S \* 4/2008 Kim et al. .... D13/180  
D566,663 S \* 4/2008 Yeh ..... D13/180  
2006/0055012 A1 \* 3/2006 Chen et al. .... 257/678

\* cited by examiner

*Primary Examiner*—Selina Sikder

(74) *Attorney, Agent, or Firm*—Guice Patents PLLC

(57) **CLAIM**

The ornamental design for light emitting diode (LED), as shown and described.

**DESCRIPTION**

FIG. 1 is a perspective view of light emitting diode (LED) showing my design;

FIG. 2 is another perspective view thereof;

FIG. 3 is a front side view thereof;

FIG. 4 is a left side view thereof;

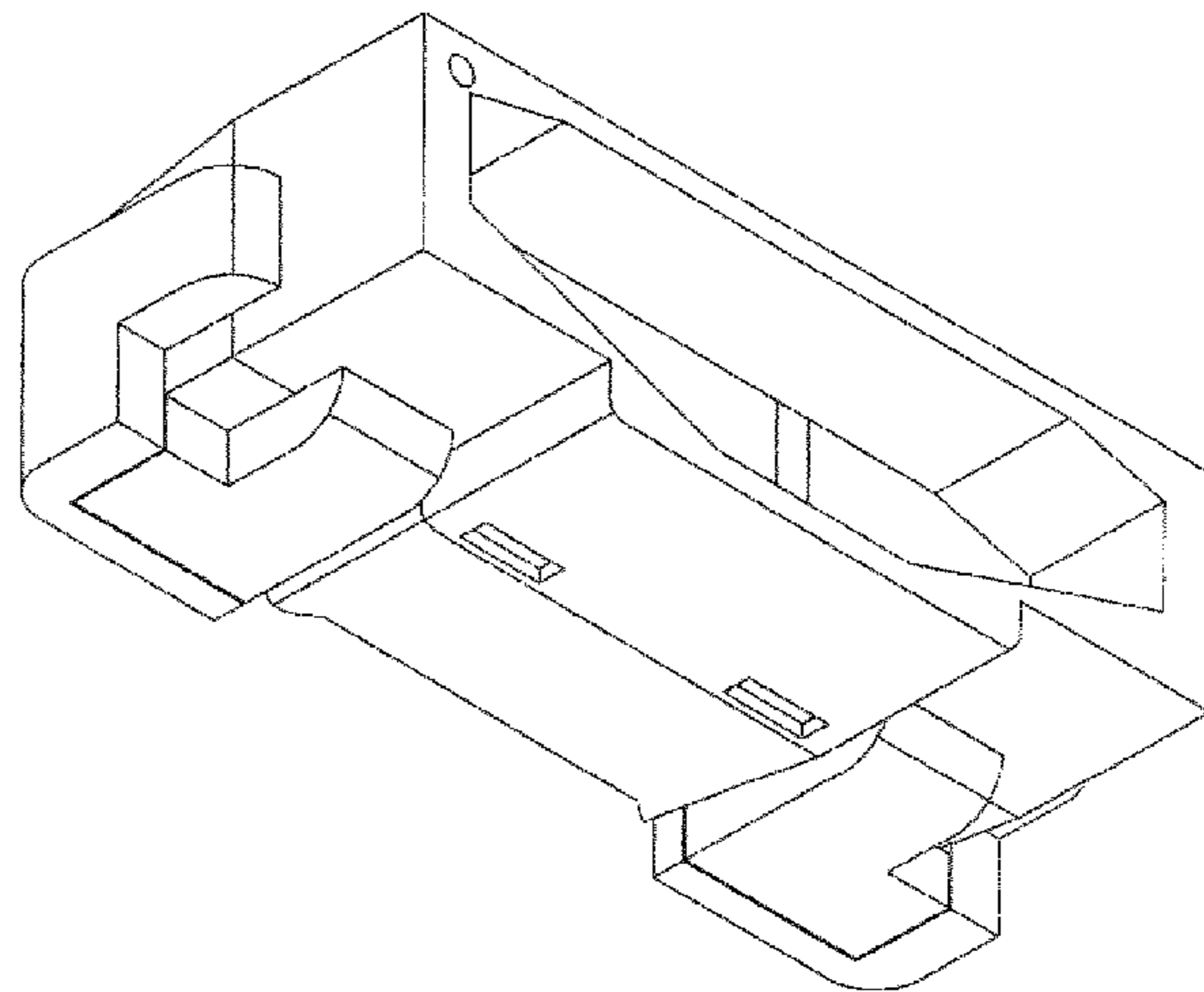
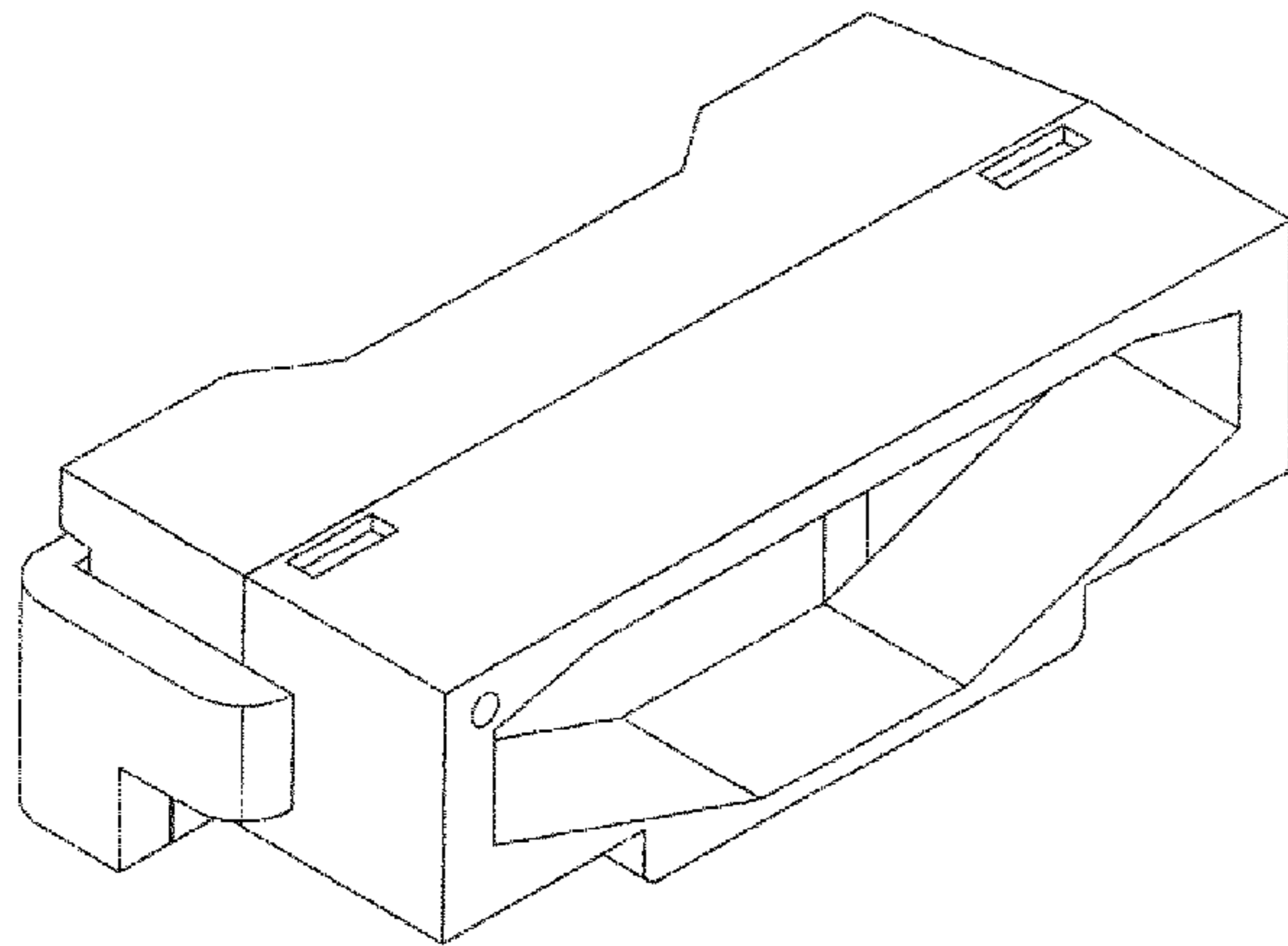
FIG. 5 is a top elevation view thereof;

FIG. 6 is a bottom elevation view thereof;

FIG. 7 is a back side view thereof; and,

FIG. 8 is a right side view thereof.

**1 Claim, 5 Drawing Sheets**



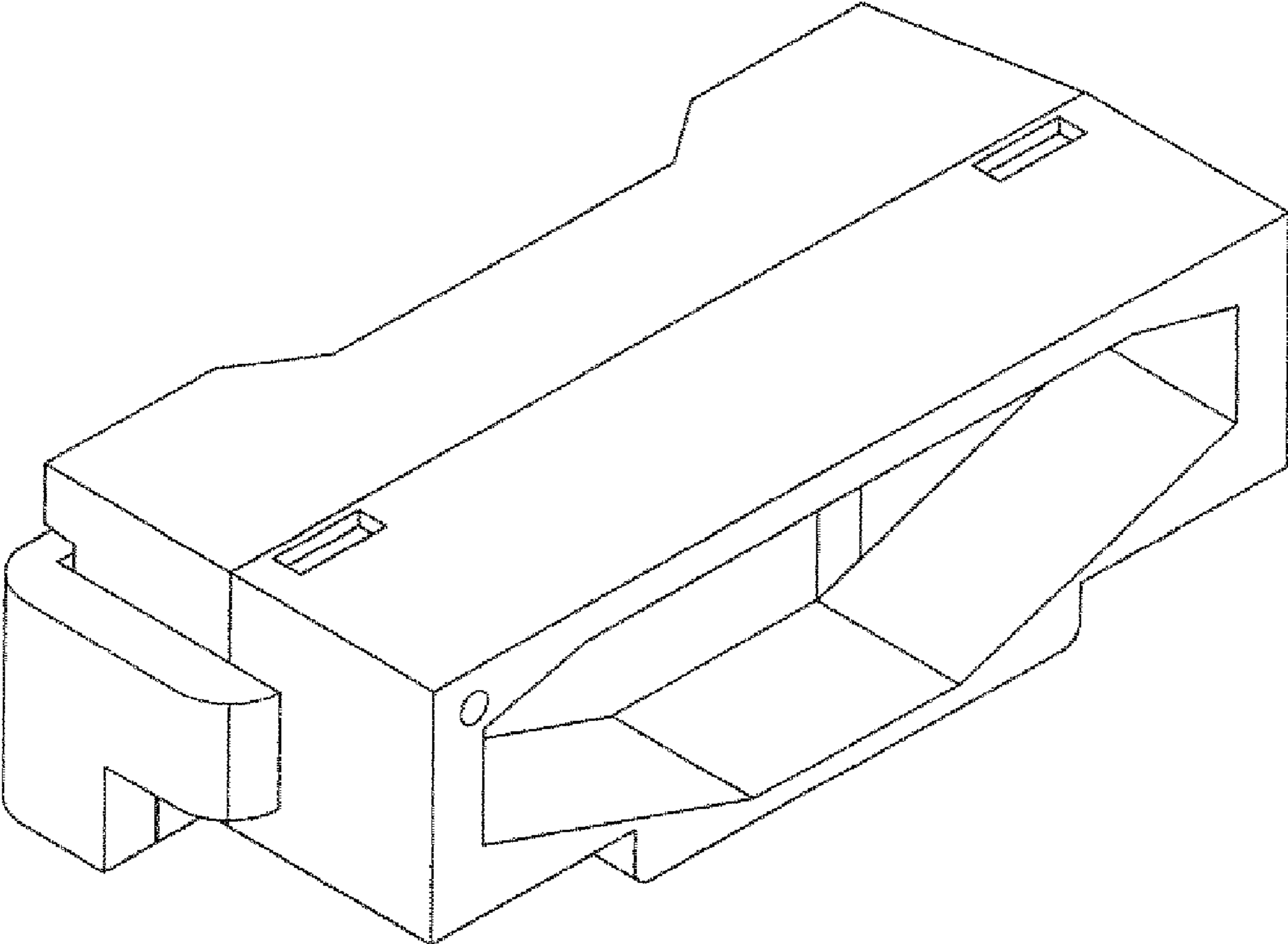


FIG. 1

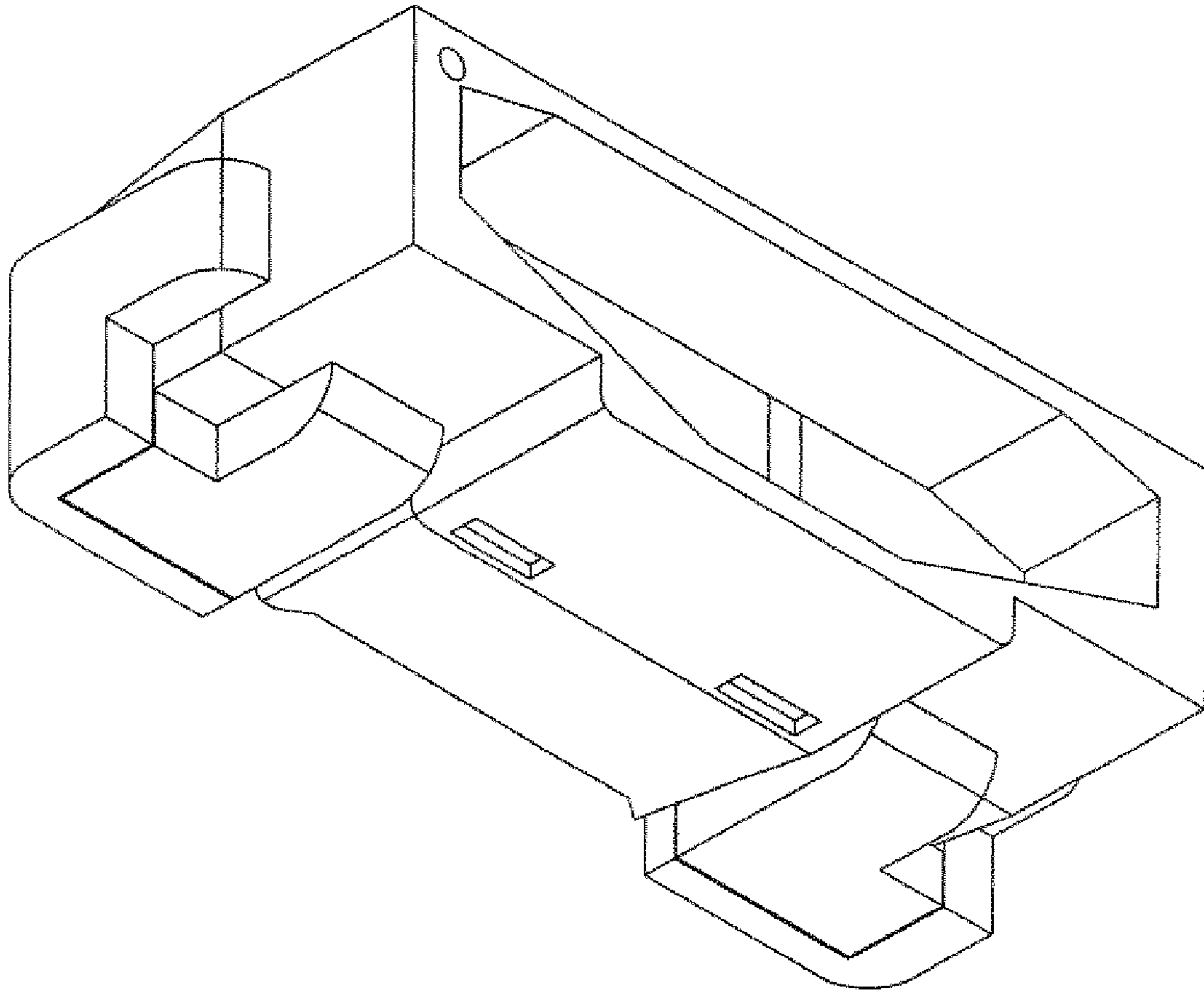


FIG. 2

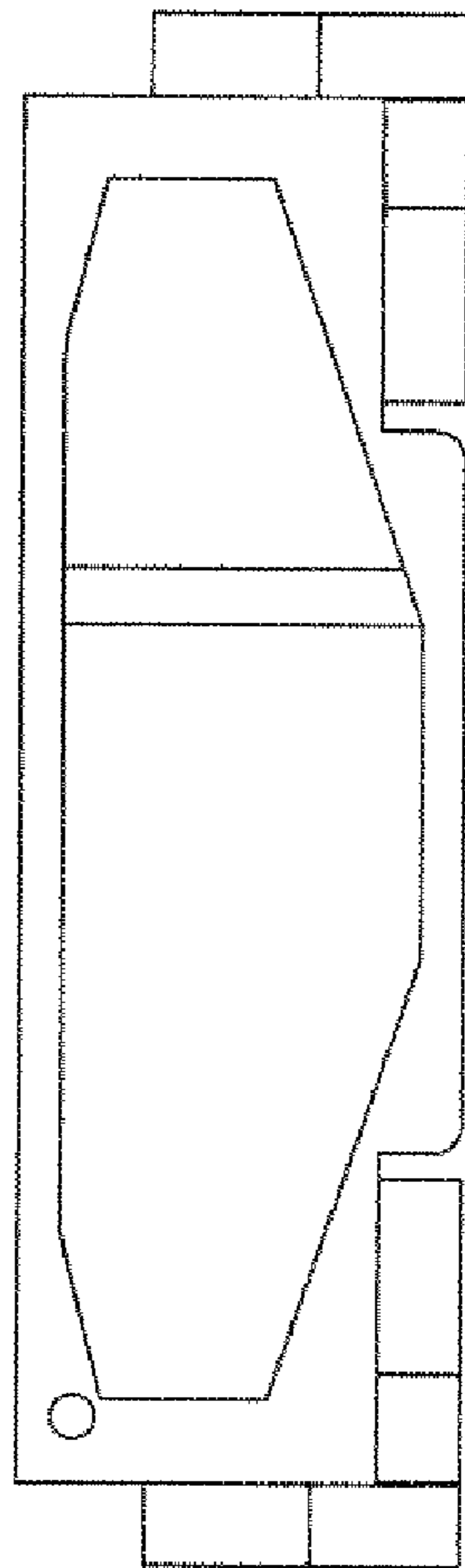


FIG. 3

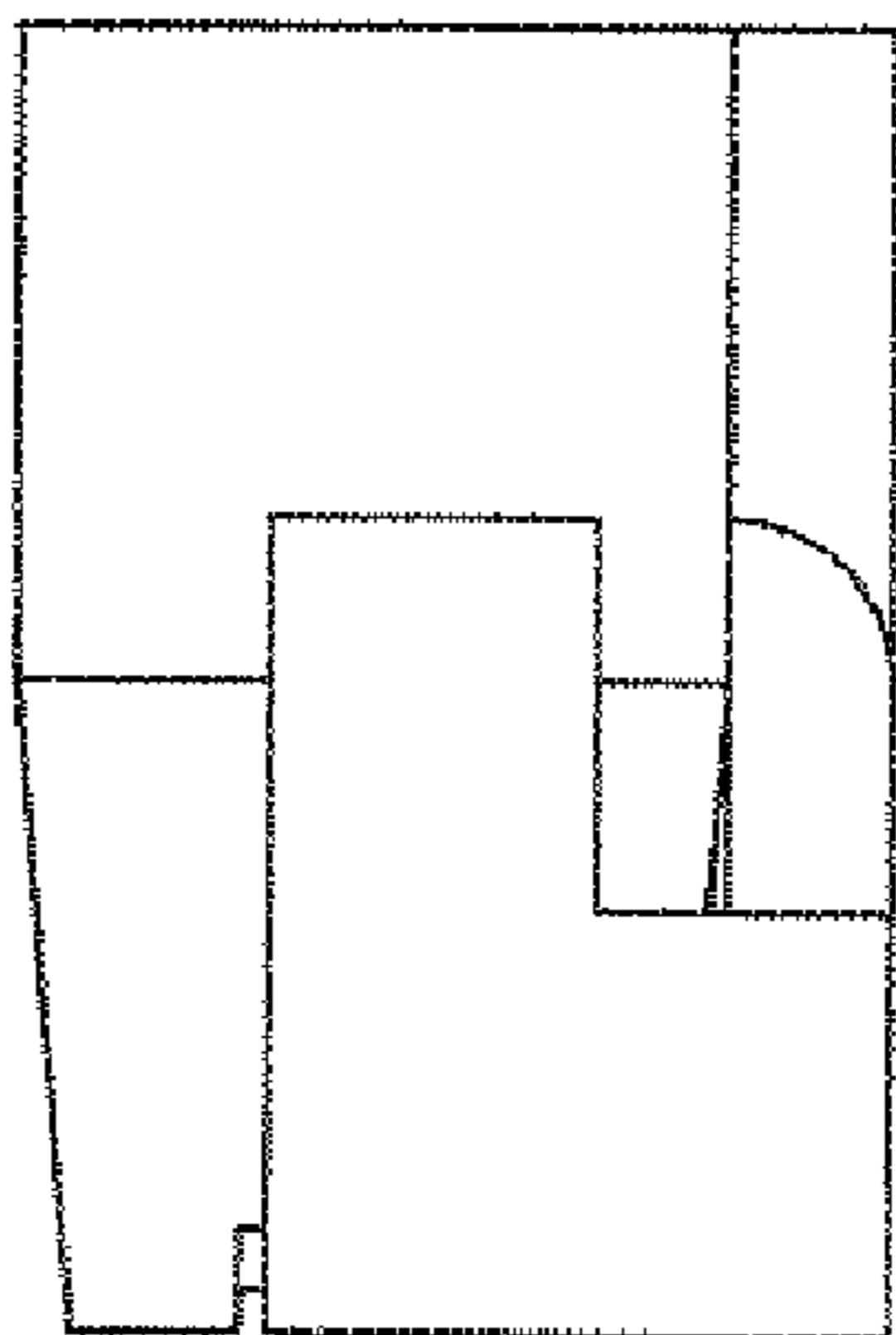


FIG. 4

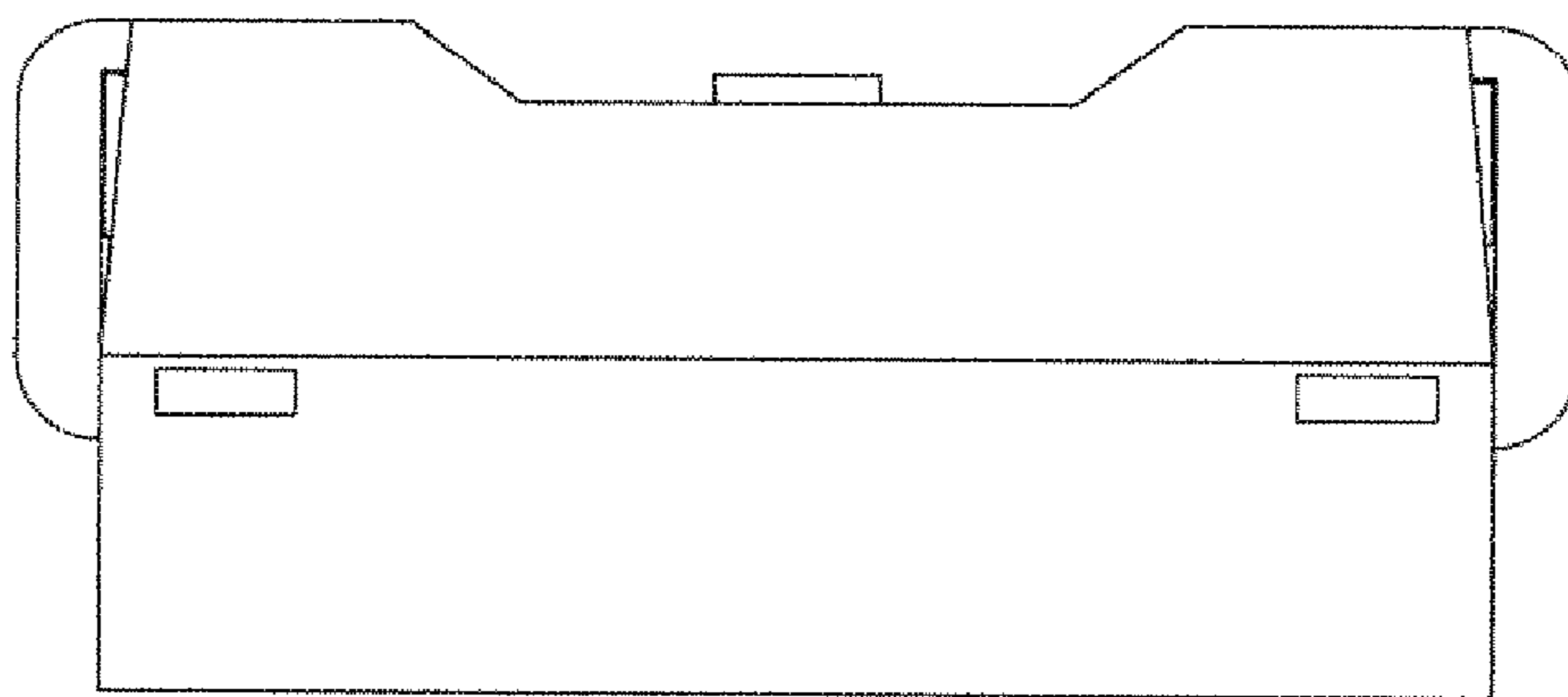


FIG. 5

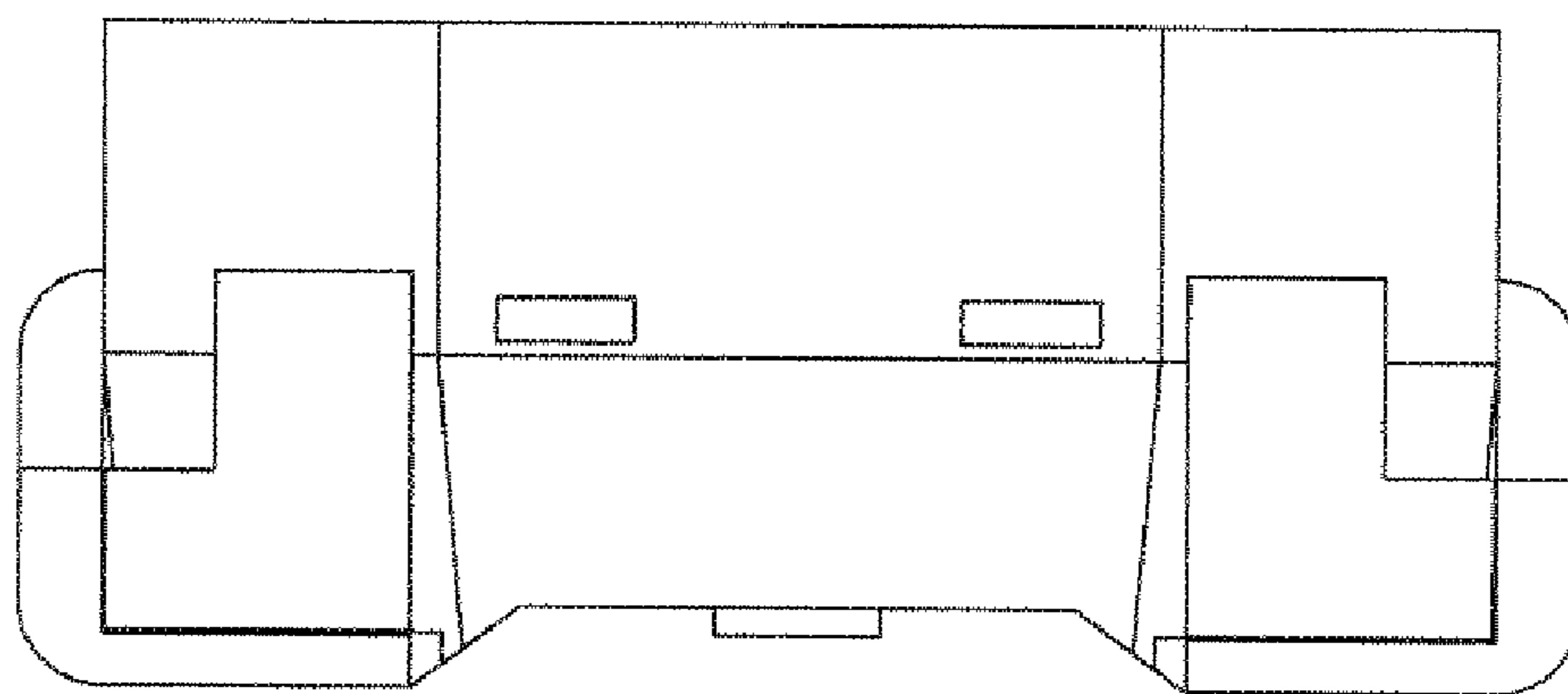


FIG. 6

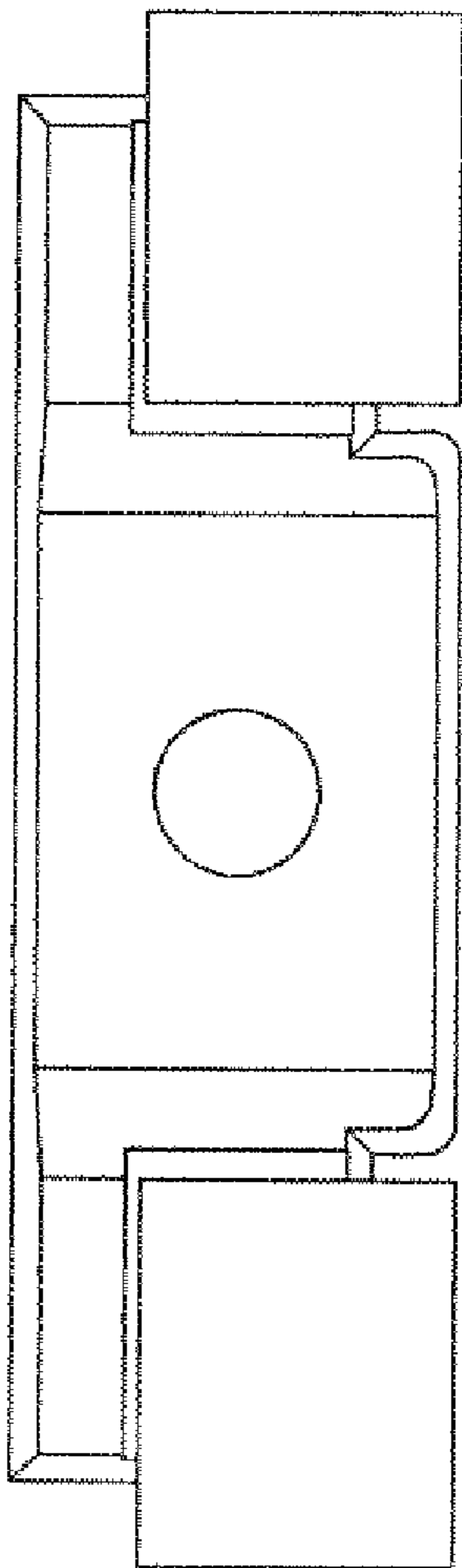


FIG. 7

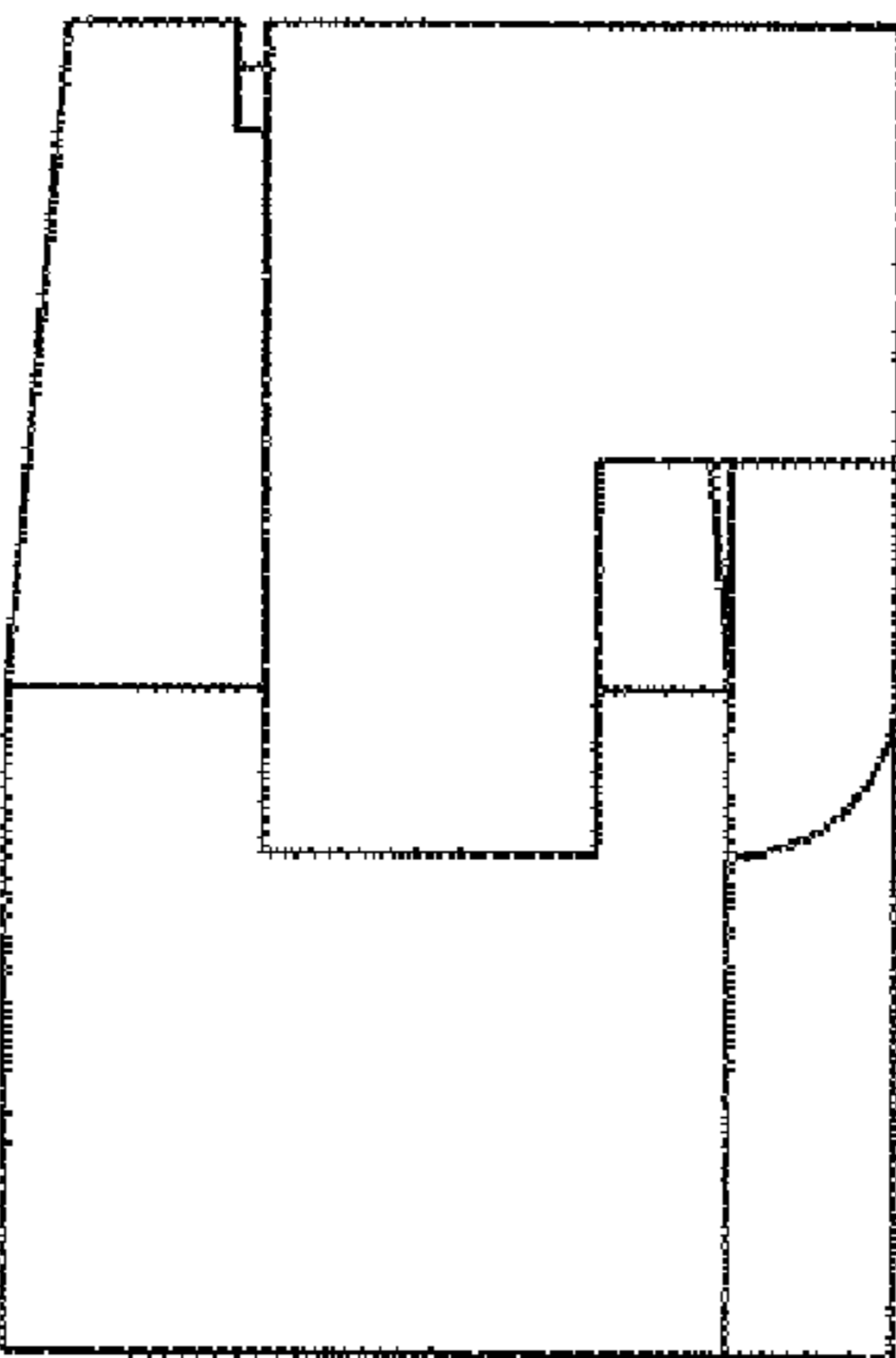


FIG. 8