



US00D589910S

(12) **United States Design Patent**
Kokubu et al.

(10) **Patent No.:** **US D589,910 S**

(45) **Date of Patent:** **** Apr. 7, 2009**

(54) **LIGHT EMITTING DIODE**

(75) Inventors: **Hideki Kokubu**, Aichi-ken (JP);
Toshimasa Hayashi, Aichi-ken (JP);
Michio Miyawaki, Hioki (JP)

(73) Assignees: **Toyoda Gosei Co., Ltd.**,
Nishikasugai-gun, Aichi-ken (JP);
Matsushita Electric Industrial Co., Ltd.,
Kadoma-shi, Osaka (JP)

(**) Term: **14 Years**

(21) Appl. No.: **29/309,124**

(22) Filed: **Jun. 25, 2008**

(30) **Foreign Application Priority Data**

Dec. 27, 2007 (JP) 2007-035949

(51) **LOC (9) Cl.** **13-03**

(52) **U.S. Cl.** **D13/180**

(58) **Field of Classification Search** D13/180;
D26/2; 257/79, 80, 81, 88, 89, 95, 98, 99,
257/100; 313/483, 498, 500; 362/555, 800
See application file for complete search history.

(56) **References Cited**

U.S. PATENT DOCUMENTS

D490,385 S * 5/2004 Ishida D13/180
D500,292 S * 12/2004 Ishida D13/180
D503,388 S * 3/2005 Ishida D13/180
D527,352 S * 8/2006 Wu et al. D13/180
D528,999 S * 9/2006 Cho et al. D13/180
D533,146 S * 12/2006 Wu et al. D13/180

D533,517 S * 12/2006 Kim et al. D13/180
2004/0046242 A1 * 3/2004 Asakawa 257/678

FOREIGN PATENT DOCUMENTS

JP 1095890 1/2001
JP 1171708 4/2003
JP 1288058 12/2006

* cited by examiner

Primary Examiner—Selina Sikder

(74) *Attorney, Agent, or Firm*—McGinn IP Law Group,
PLLC

(57) **CLAIM**

The ornamental design for a light emitting diode, as shown and described.

DESCRIPTION

FIG. 1 is a perspective view of top, front and left side of a light emitting diode showing our new design;

FIG. 2 is a perspective view of bottom, front and left side thereof;

FIG. 3 is a front view thereof;

FIG. 4 is a rear view thereof;

FIG. 5 is a left side view thereof;

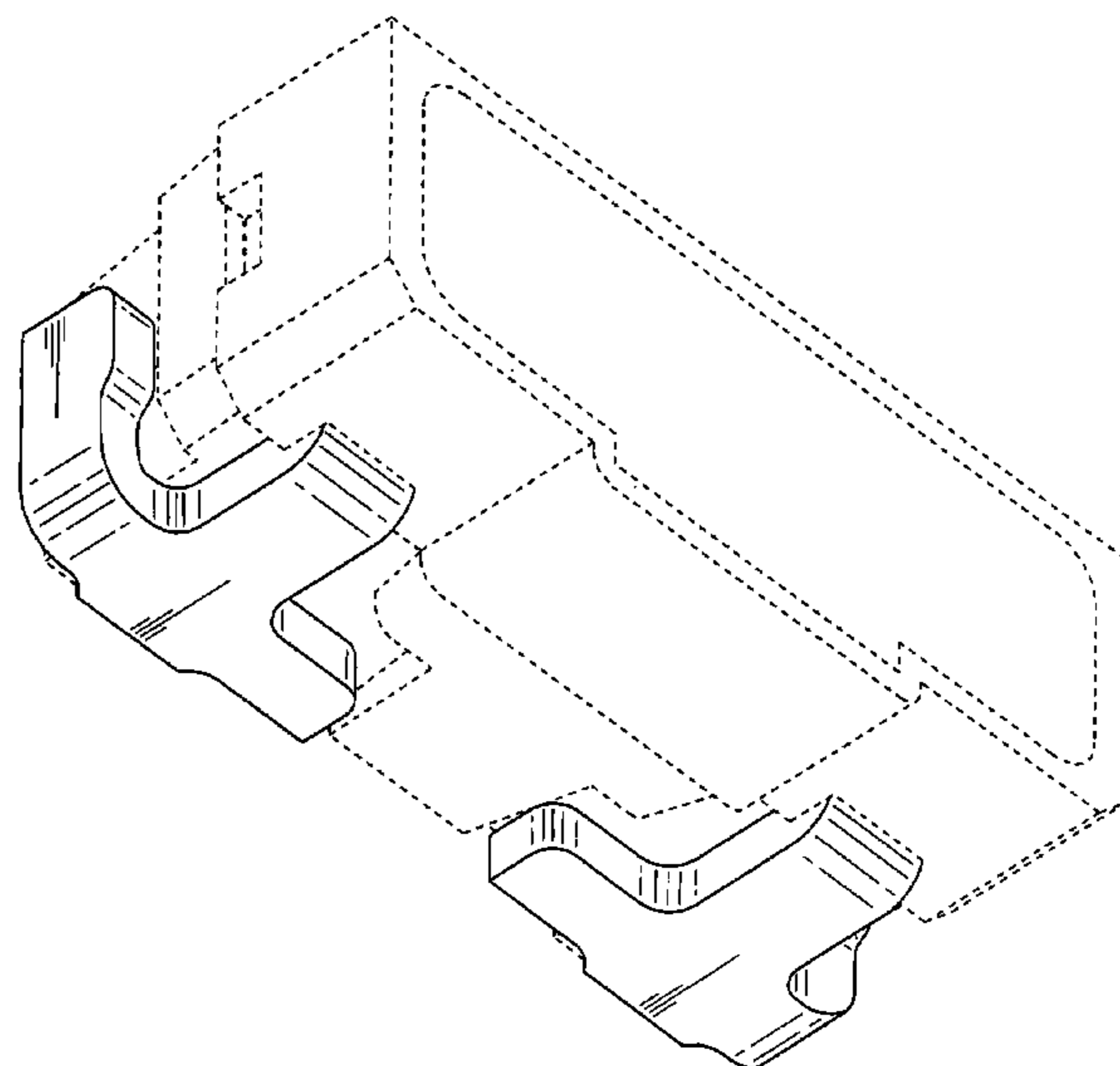
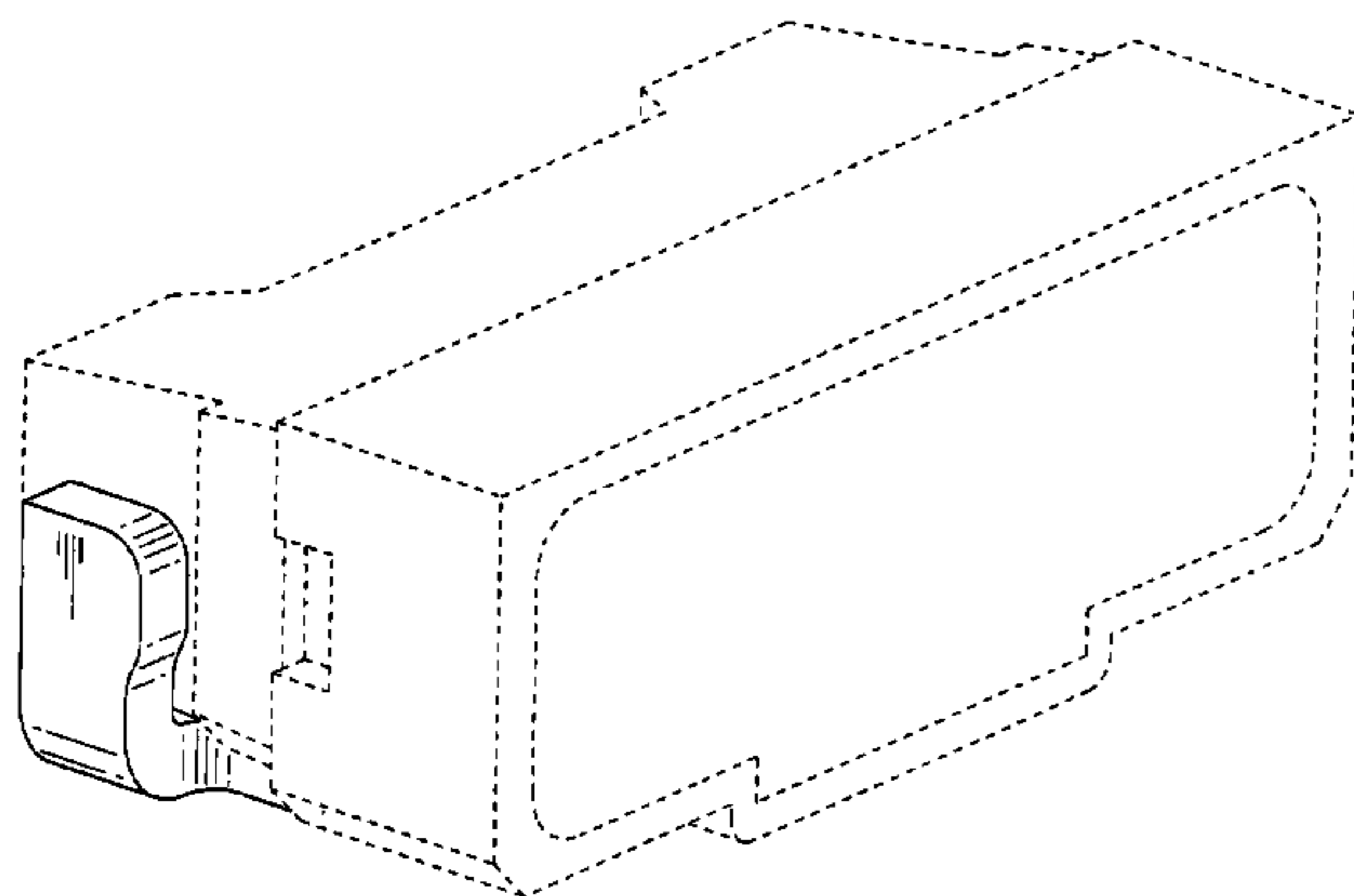
FIG. 6 is a right side view thereof;

FIG. 7 is a top plan view thereof; and,

FIG. 8 is a bottom view thereof.

The portions of the article in broken lines are shown for illustrative purposes only and form no part of the claimed design.

1 Claim, 6 Drawing Sheets



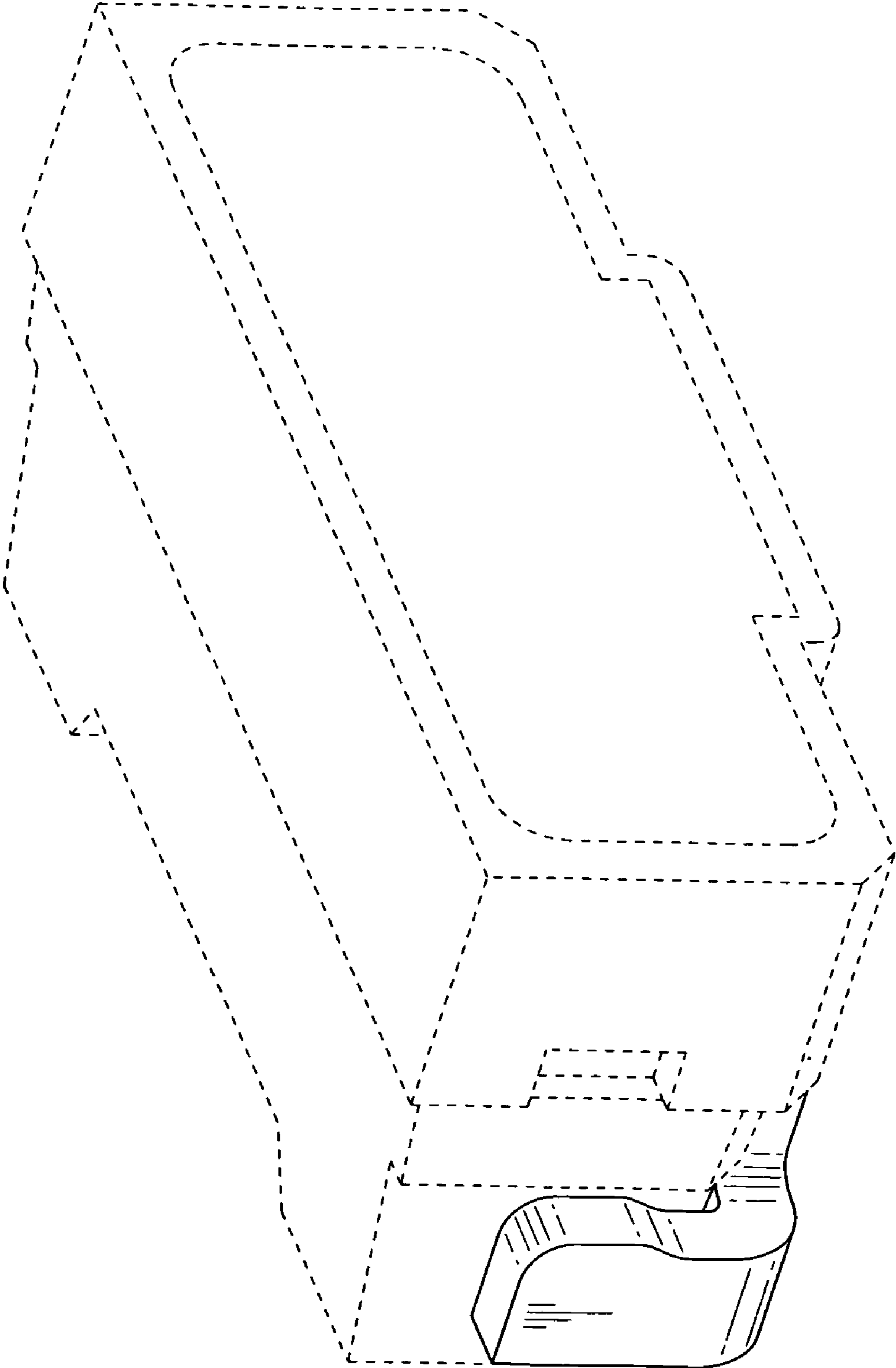


FIG. 1

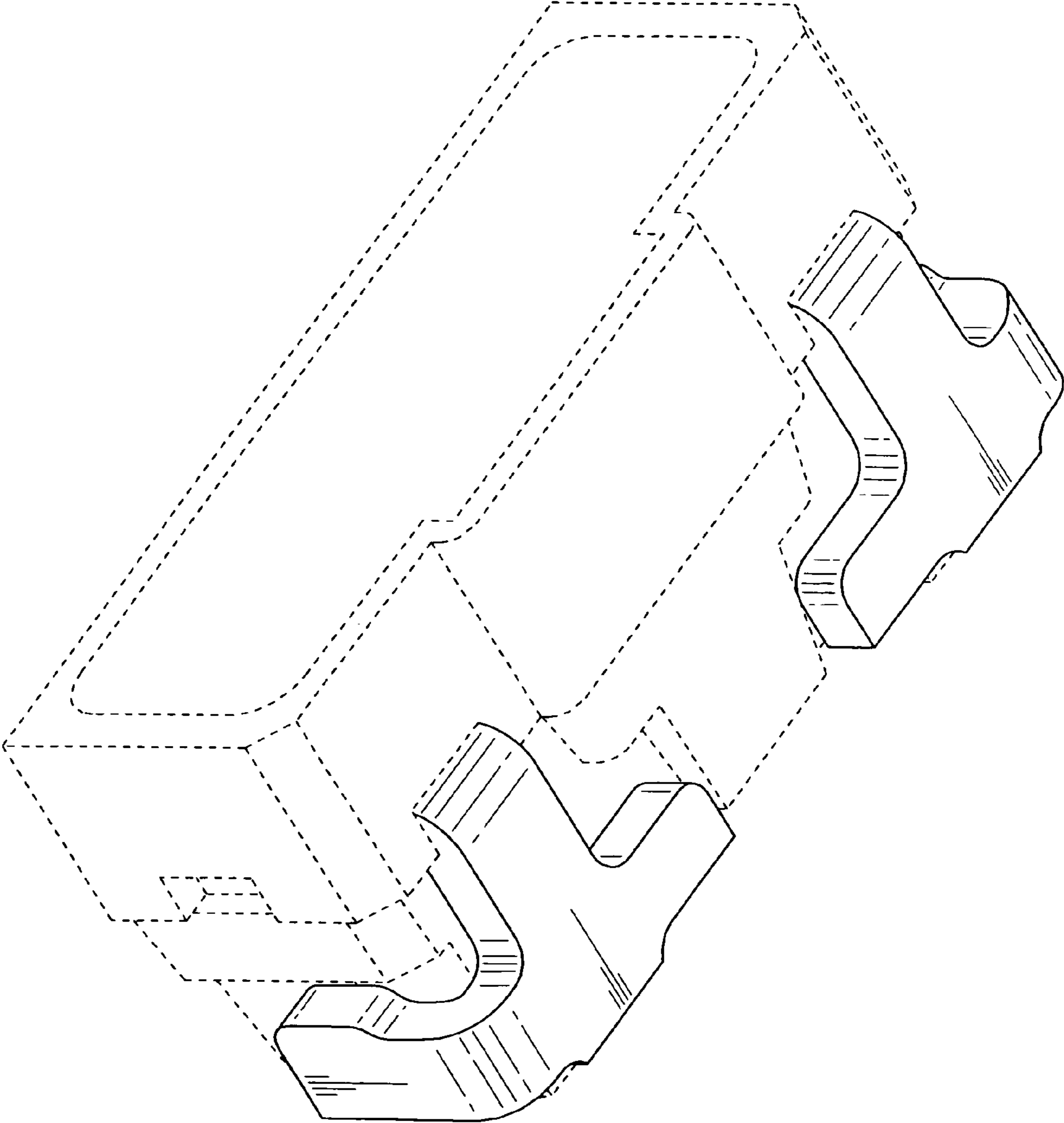


FIG. 2

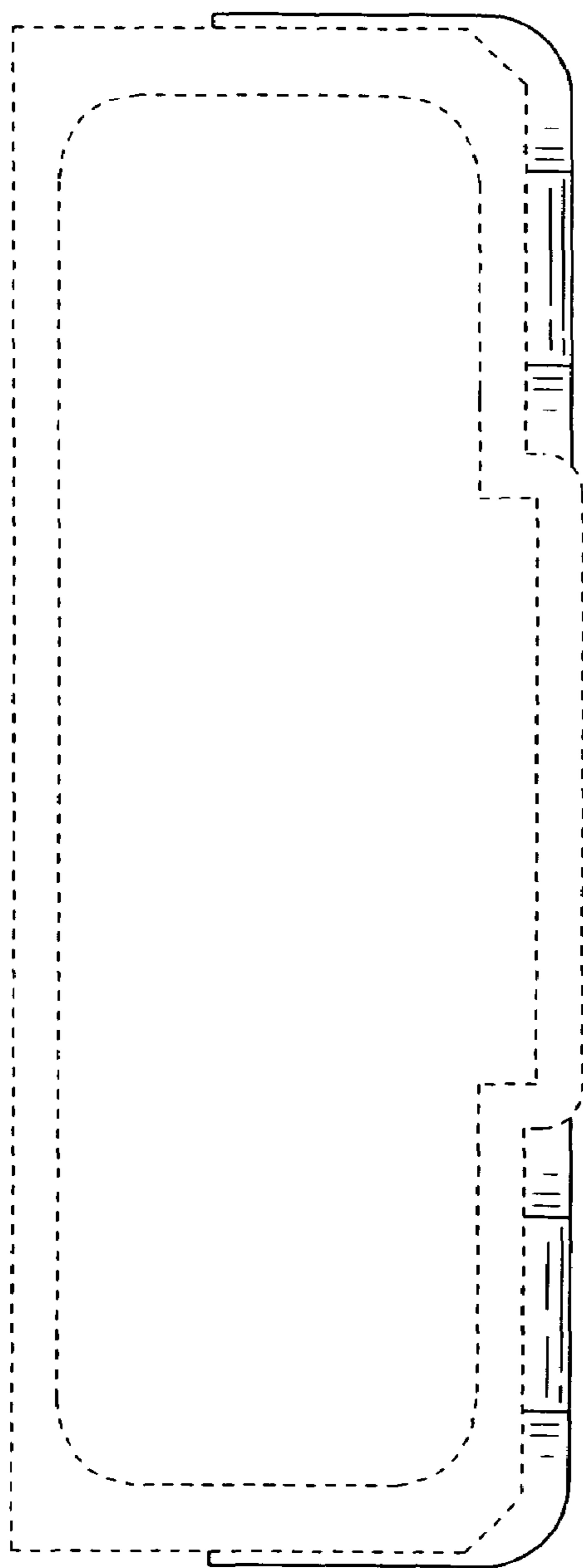


FIG. 3

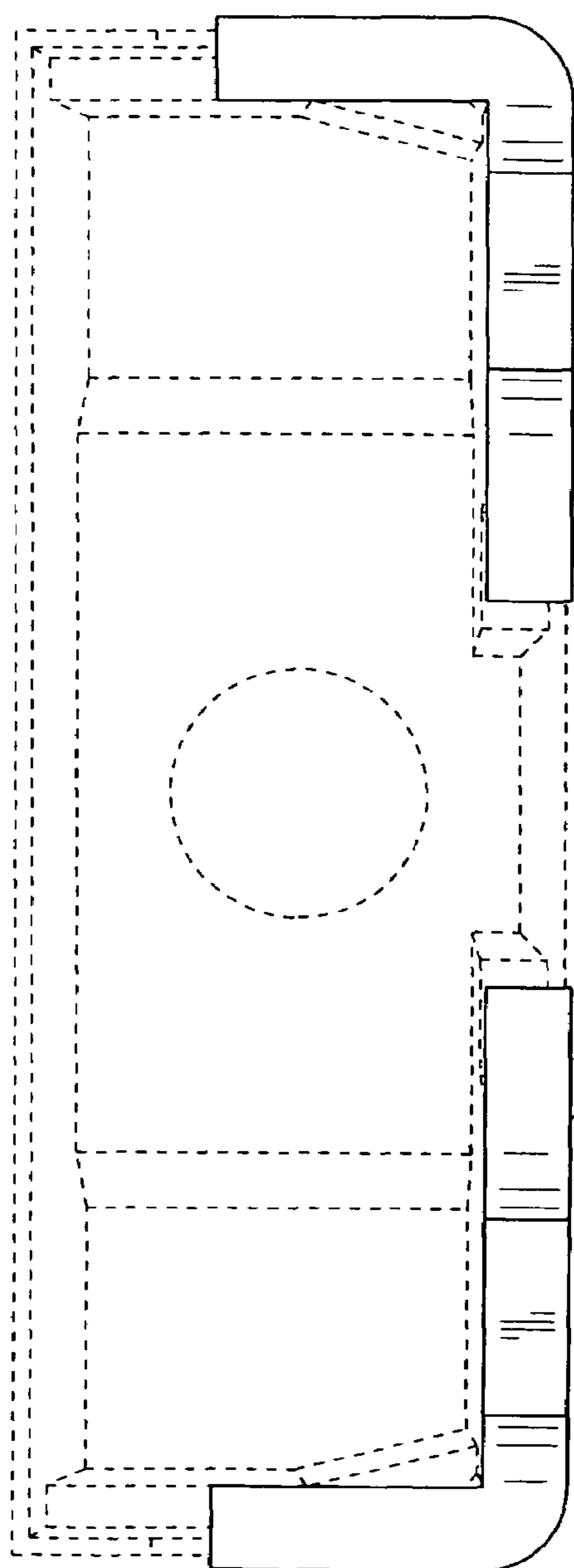


FIG. 4

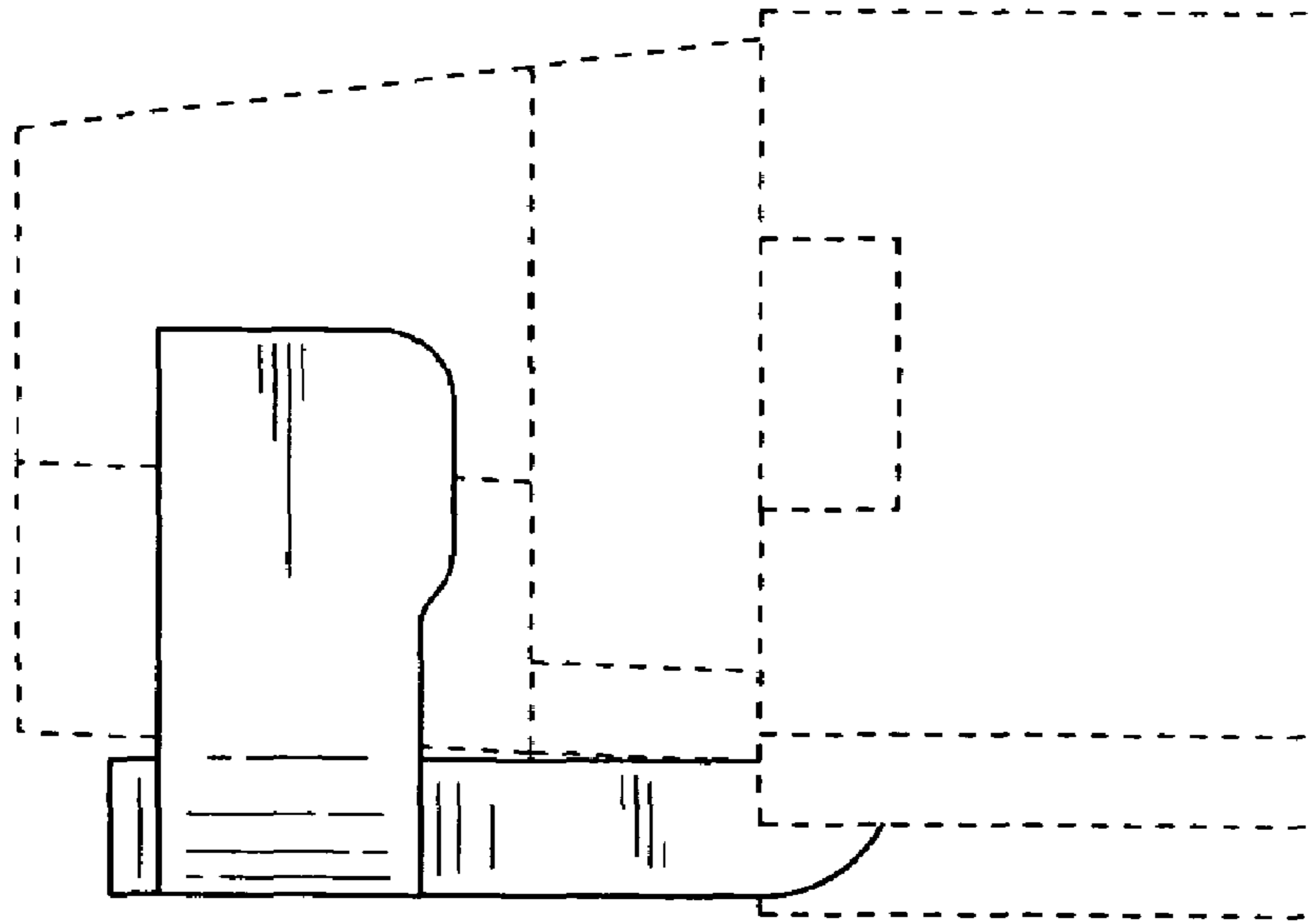


FIG. 5

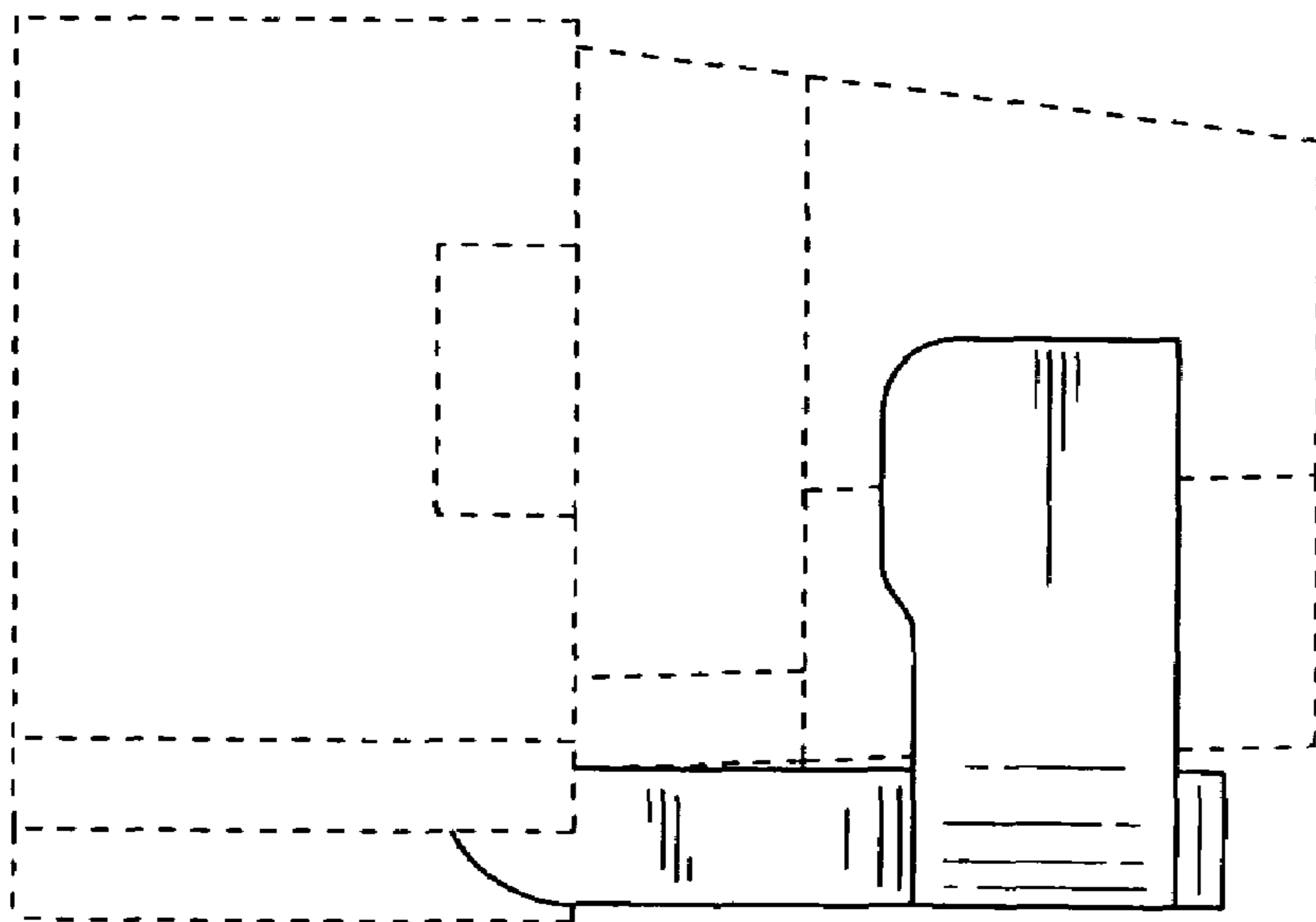


FIG. 6

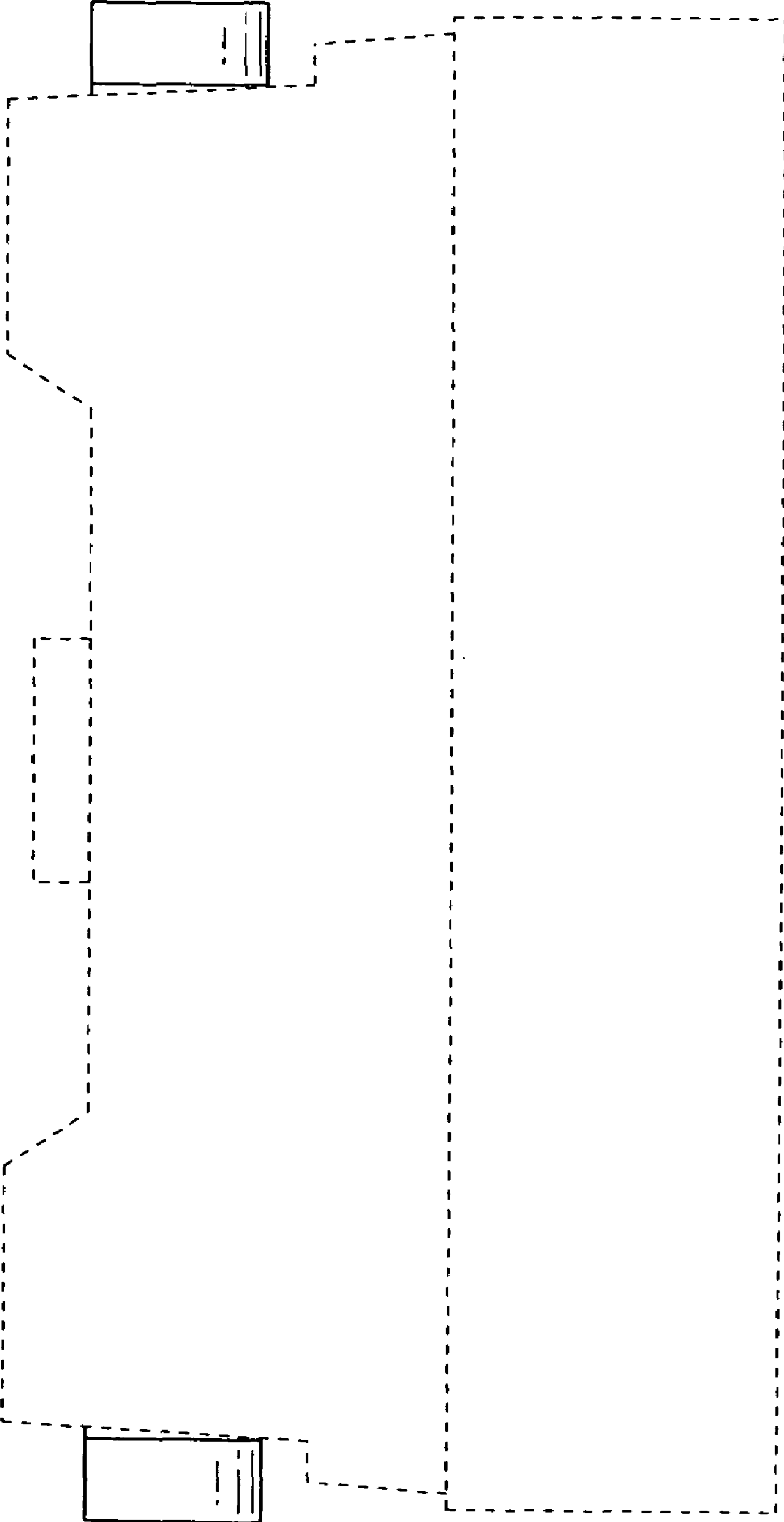


FIG. 7

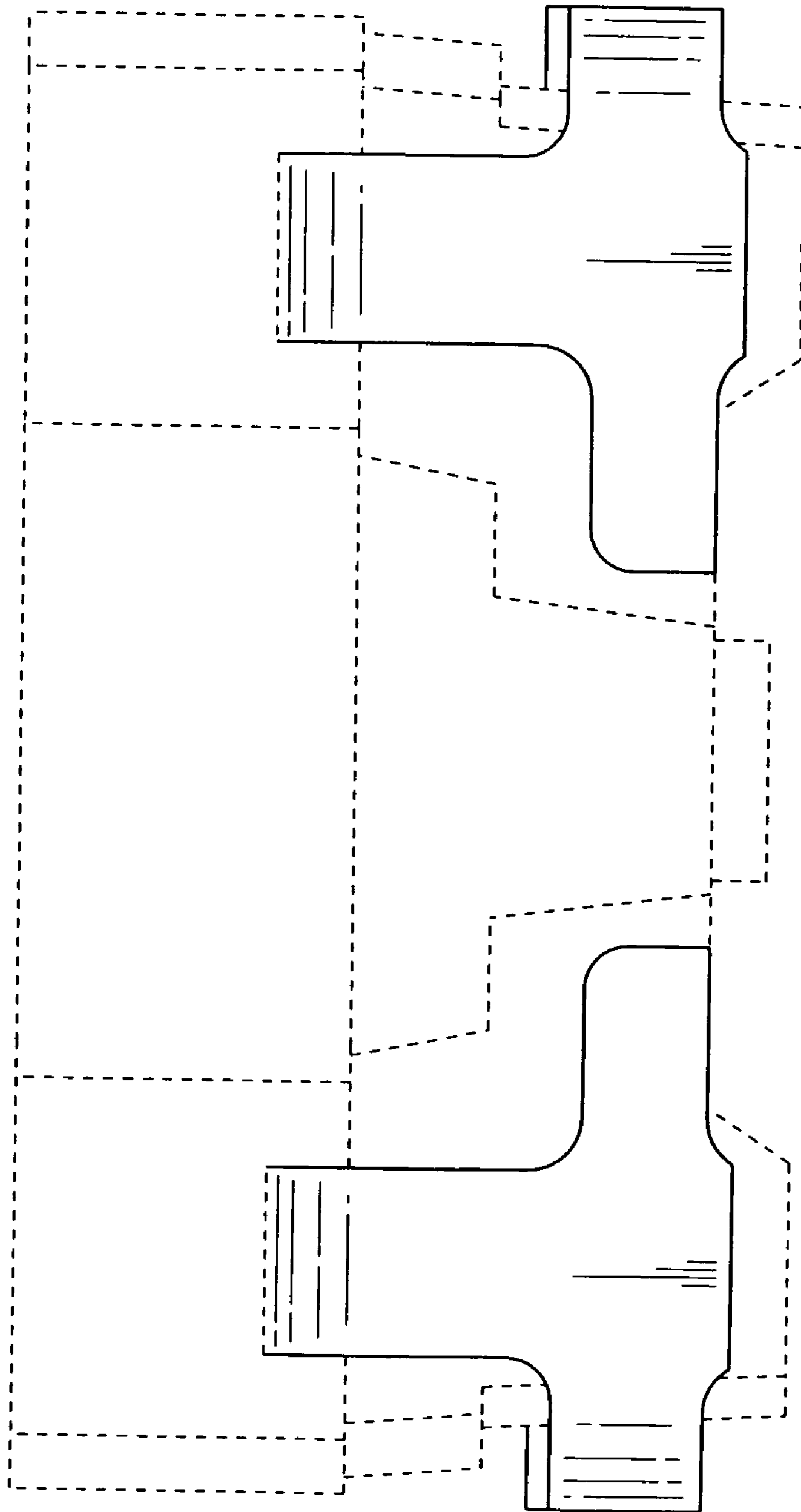


FIG. 8