

US00D589909S

(12) **United States Design Patent**
Kong

(10) **Patent No.:** **US D589,909 S**

(45) **Date of Patent:** **** Apr. 7, 2009**

(54) **LIGHT EMITTING DIODE**

(75) Inventor: **Sung Min Kong**, Gwangju (KR)

(73) Assignee: **LG Innotek Co., Ltd.**, Seoul (KR)

(**) Term: **14 Years**

(21) Appl. No.: **29/287,529**

(22) Filed: **Aug. 17, 2007**

(30) **Foreign Application Priority Data**

Apr. 19, 2007 (KR) 30-2007-0017169

(51) **LOC (9) Cl.** **13-03**

(52) **U.S. Cl.** **D13/180**

(58) **Field of Classification Search** D13/180;
D26/2; 257/79, 80, 81, 88, 89, 95, 98, 99,
257/100; 313/483, 498, 500; 362/555, 800
See application file for complete search history.

(56) **References Cited**

U.S. PATENT DOCUMENTS

D495,668	S	*	9/2004	Kim et al.	D13/180
D500,292	S	*	12/2004	Ishida	D13/180
6,953,952	B2	*	10/2005	Asakawa	257/103
D533,146	S	*	12/2006	Wu et al.	D13/180
D538,760	S	*	3/2007	Song et al.	D13/180
D550,170	S	*	9/2007	Yoon et al.	D13/180

D551,181	S	*	9/2007	Son	D13/180
D558,693	S	*	1/2008	Shin et al.	D13/180
2006/0023451	A1	*	2/2006	Han et al.	362/249
2006/0284203	A1	*	12/2006	Han et al.	257/98

* cited by examiner

Primary Examiner—Selina Sikder

(74) *Attorney, Agent, or Firm*—Birch, Stewart, Kolasch & Birch, LLP

(57) **CLAIM**

The ornamental design for a light emitting diode, as shown and described.

DESCRIPTION

FIG. 1 is a front, right perspective of the light emitting diode showing my new design;

FIG. 2 is a front view thereof;

FIG. 3 is a rear view thereof;

FIG. 4 is a left side view thereof;

FIG. 5 is a right side view thereof;

FIG. 6 is a top plan view thereof;

FIG. 7 is a bottom plan view thereof;

FIG. 8 is front, left perspective view thereof; and,

FIG. 9 is a rear, bottom perspective view thereof.

1 Claim, 4 Drawing Sheets

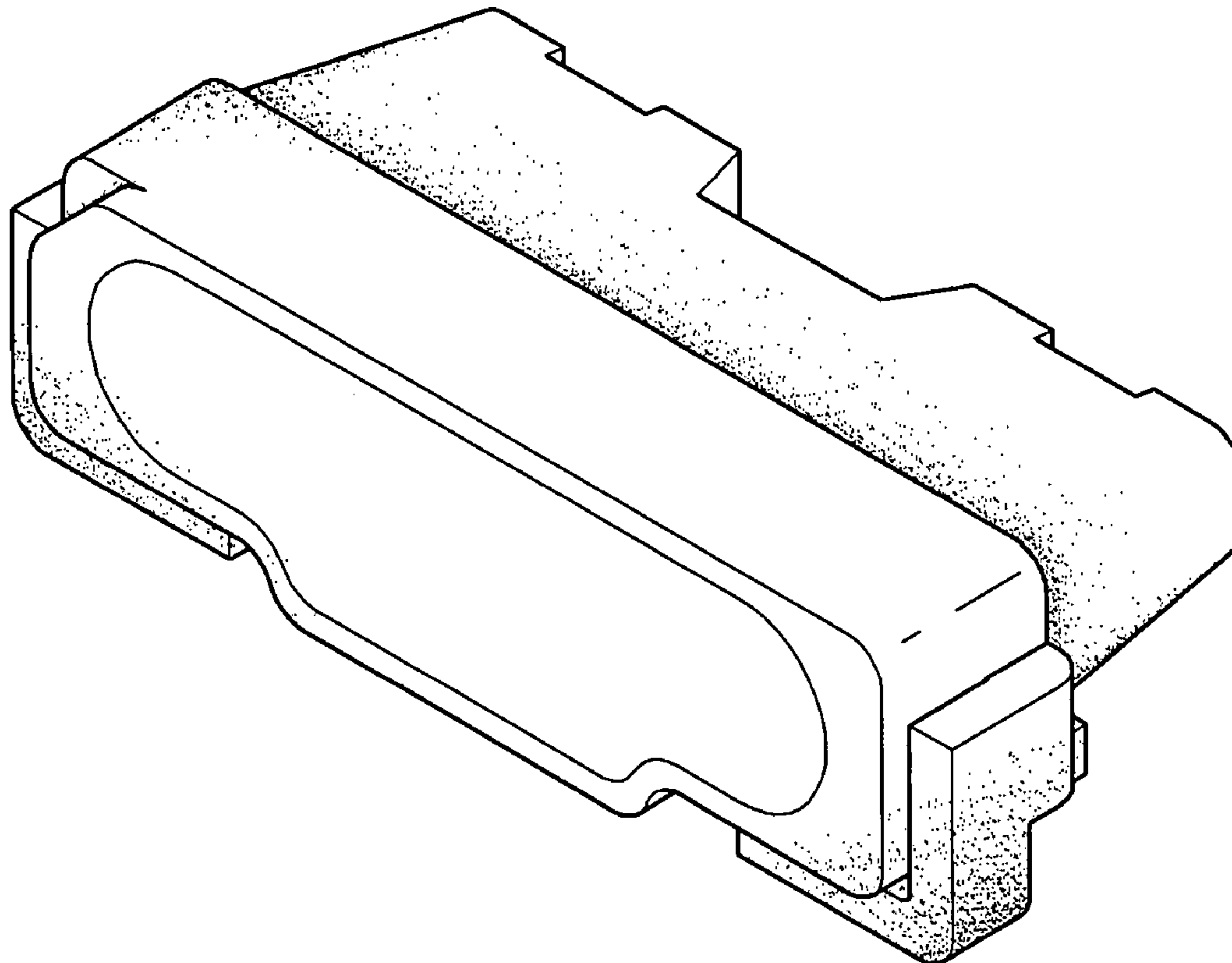


FIG. 1

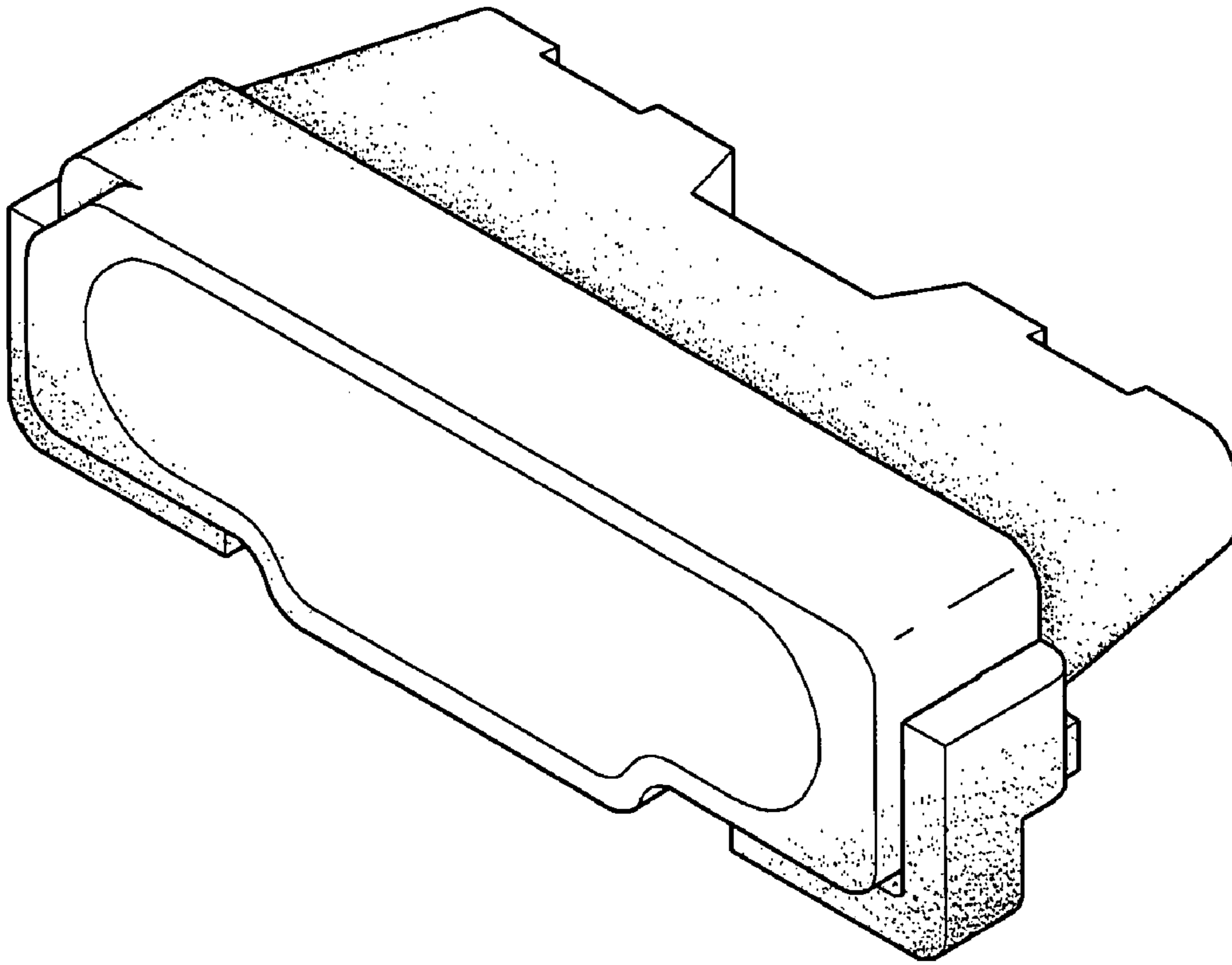


FIG. 2

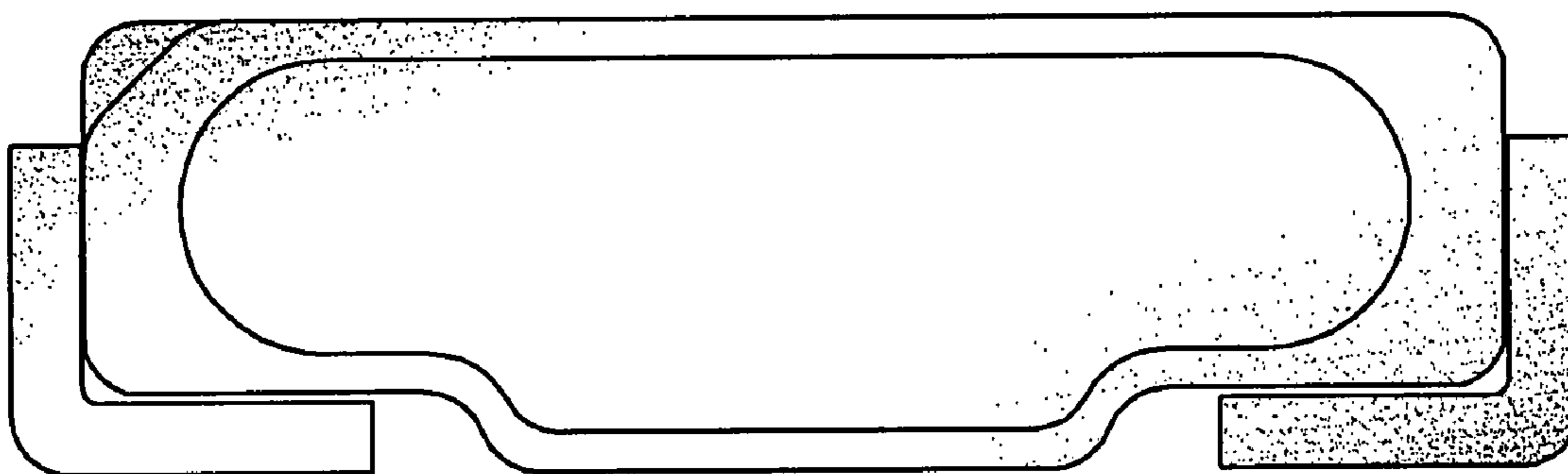


FIG. 3

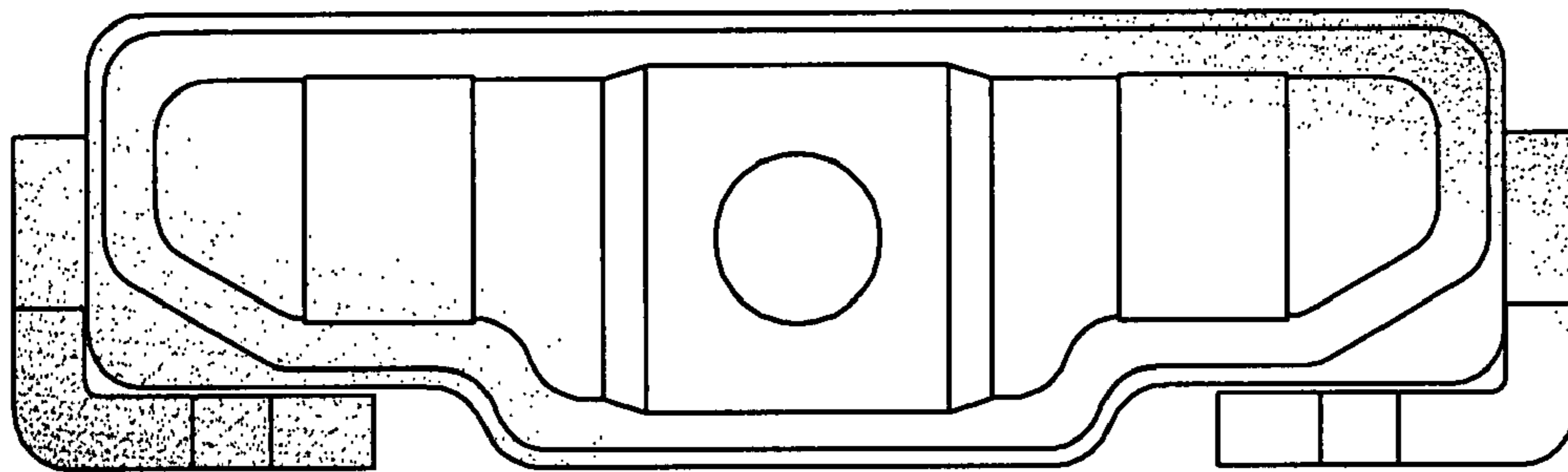


FIG. 4

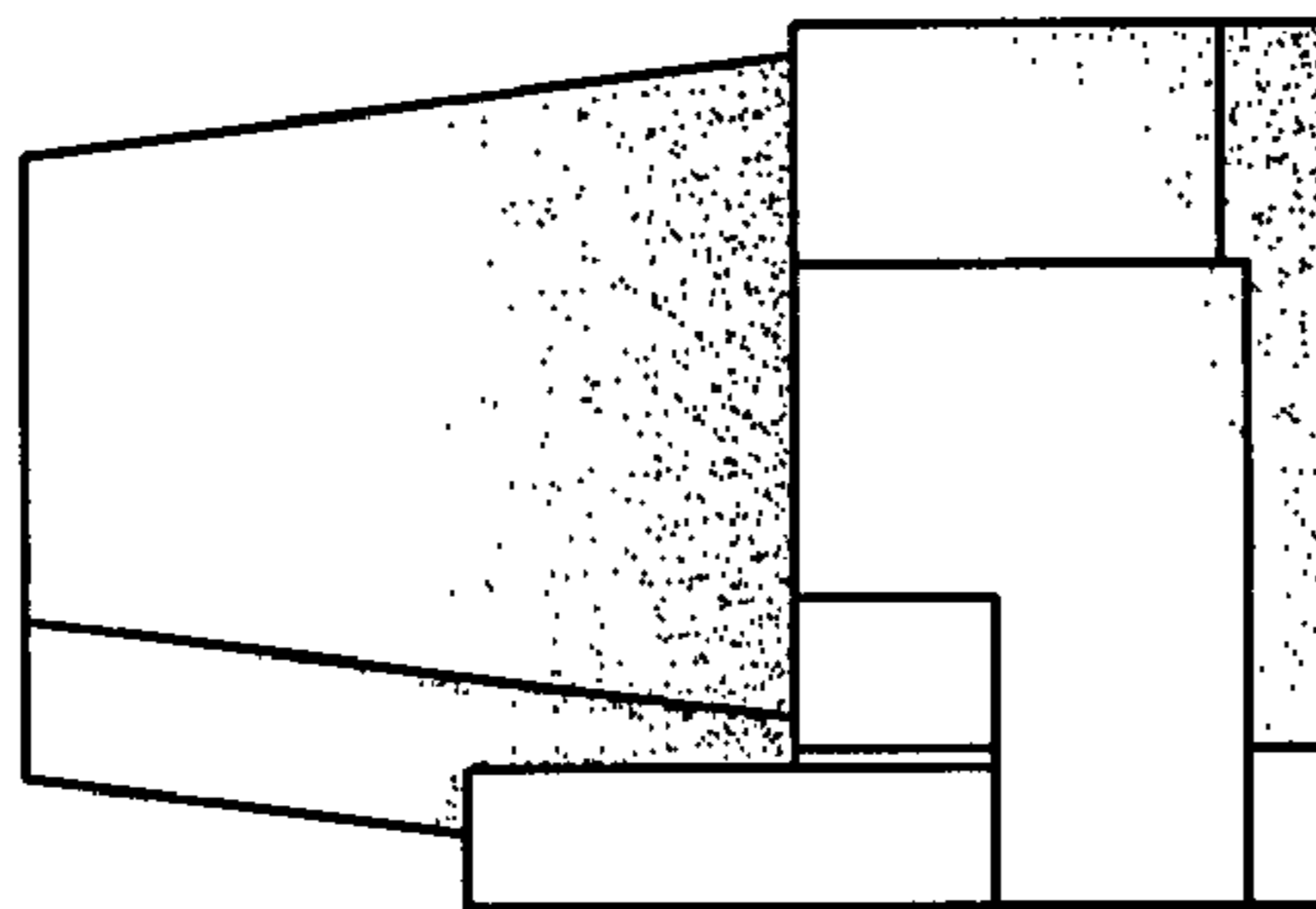


FIG. 5

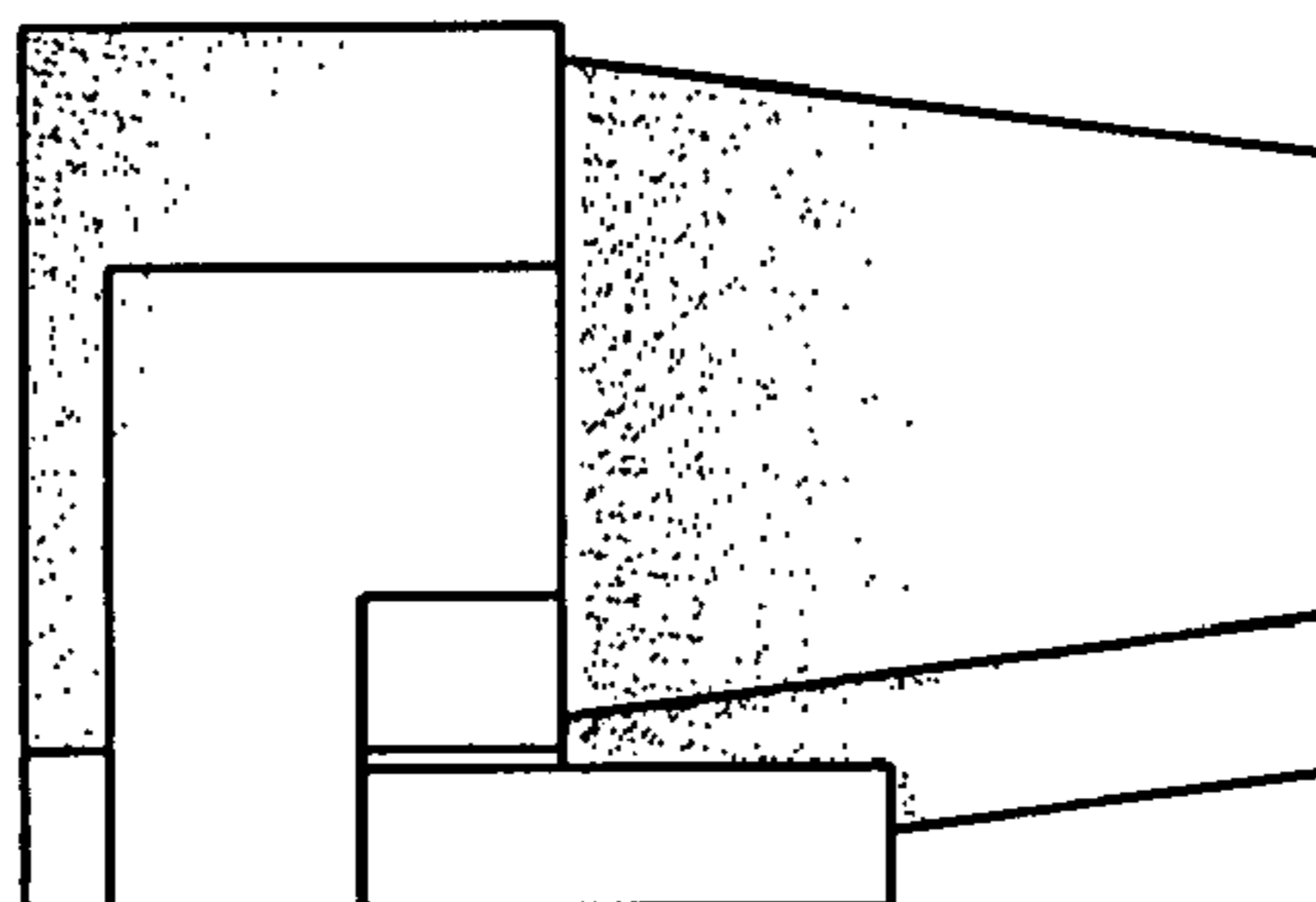


FIG. 6

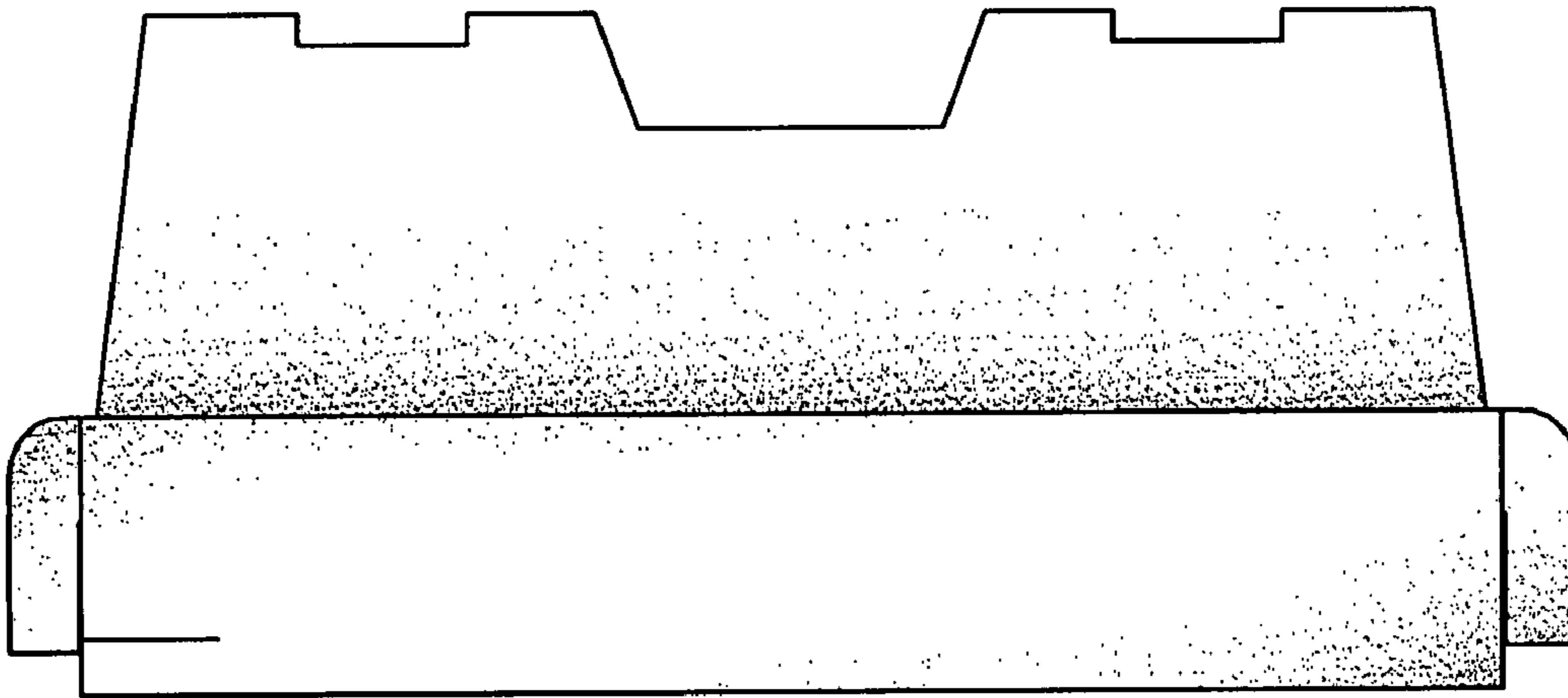


FIG. 7

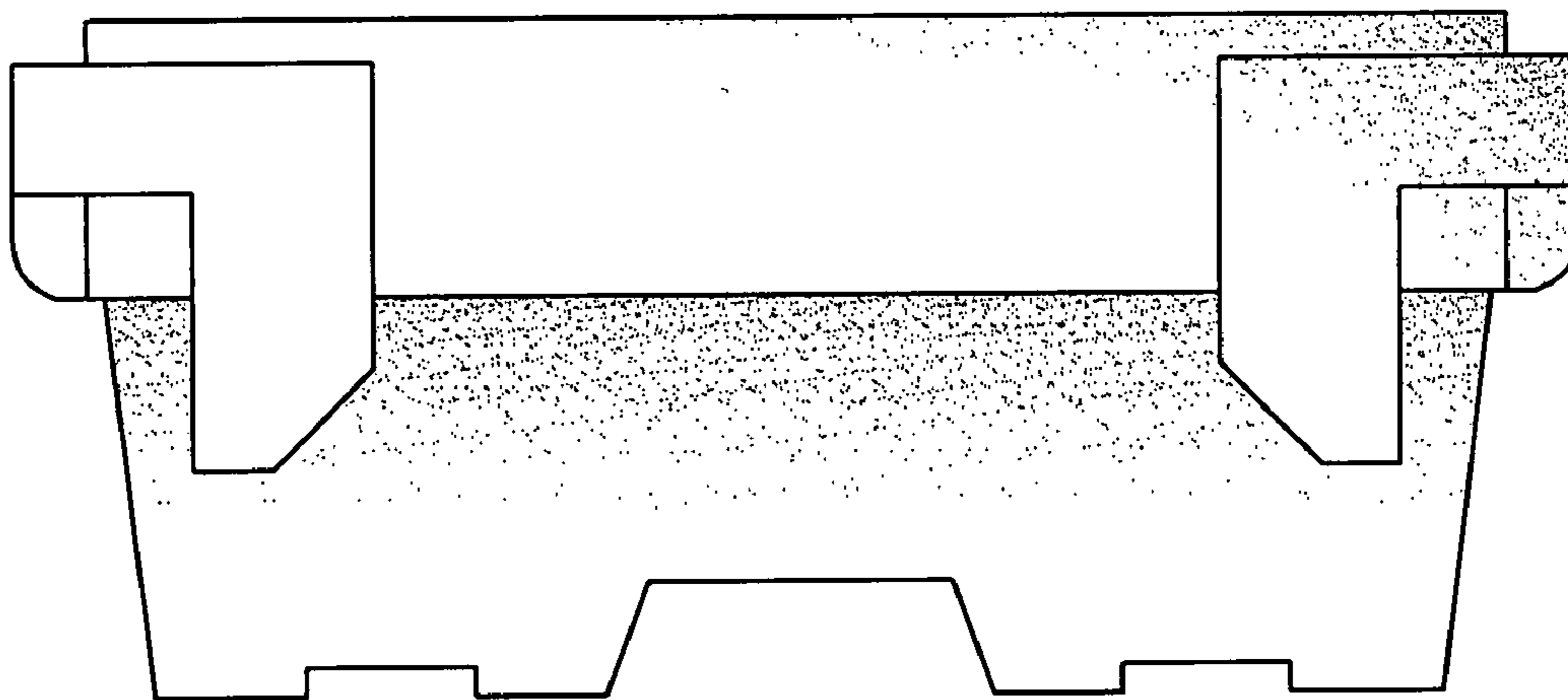


FIG. 8

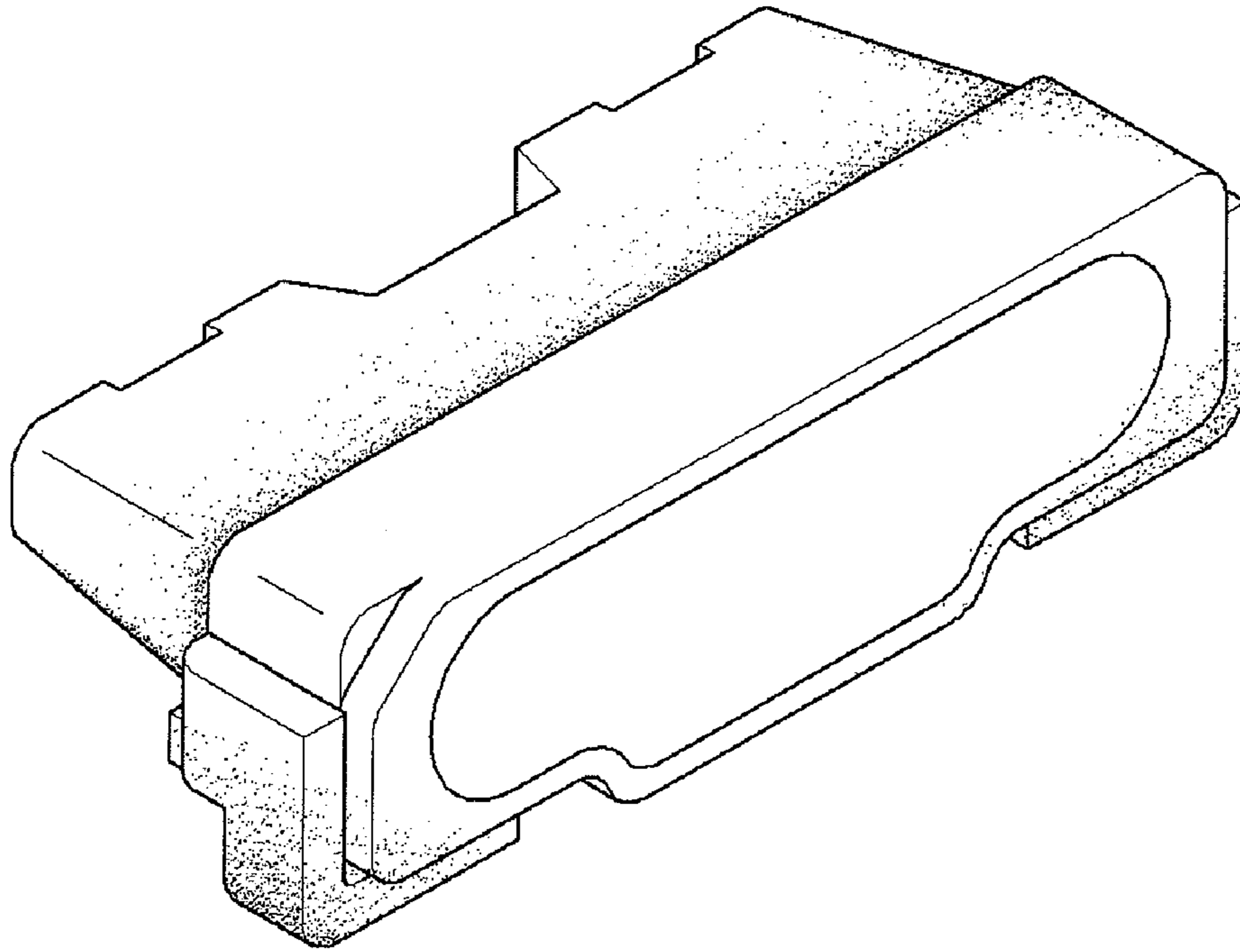


FIG. 9

