



US00D589908S

(12) **United States Design Patent**
Horng et al.

(10) **Patent No.:** **US D589,908 S**
(45) **Date of Patent:** **** Apr. 7, 2009**

(54) **MINI FAN CASING**

(75) Inventors: **Alex Horng**, Kaohsiung (TW); **Tso-Kuo Yin**, Kaohsiung (TW)

(73) Assignee: **Sunowearth Electric Machine Industry Co., Ltd.**, Kaoshiung (TW)

(**) Term: **14 Years**

(21) Appl. No.: **29/300,208**

(22) Filed: **Feb. 29, 2008**

| | | | |
|-------------------|---------|--------------------|-----------|
| 5,419,780 A | 5/1995 | Suski | |
| 5,484,262 A | 1/1996 | Thomas et al. | |
| 5,494,098 A | 2/1996 | Morosas | |
| 5,597,034 A | 1/1997 | Barker, III et al. | |
| 5,704,419 A | 1/1998 | Agonafer et al. | |
| 6,084,328 A * | 7/2000 | Yamashita et al. | 310/90 |
| 6,157,104 A * | 12/2000 | Yokozawa et al. | 310/58 |
| 6,309,190 B1 * | 10/2001 | Chen | 417/423.1 |
| 6,345,664 B1 | 2/2002 | Katsui | |
| 6,655,929 B2 | 12/2003 | Hsieh | |
| 7,021,906 B2 * | 4/2006 | Chang | 417/360 |
| 7,044,721 B2 * | 5/2006 | Horng et al. | 417/423.7 |
| 2003/0015311 A1 | 1/2003 | Lin et al. | |
| 2004/0124735 A1 * | 7/2004 | Hsiao | 310/257 |

* cited by examiner

Related U.S. Application Data

(63) Continuation-in-part of application No. 29/272,246, filed on Feb. 5, 2007.

Primary Examiner—Selina Sikder

(74) *Attorney, Agent, or Firm*—Bacon & Thomas, PLLC

(30) **Foreign Application Priority Data**

Dec. 25, 2006 (TW) 95307192

(57) **CLAIM**

The ornamental design for mini fan casing, as shown and described.

(51) **LOC (9) Cl.** **13-03**

(52) **U.S. Cl.** **D13/179**

(58) **Field of Classification Search** D13/179;
165/80.3, 104.33, 151, 122, 185; 257/706,
257/707, 718–722; 361/687, 695, 697, 700,
361/702, 704, 709, 710, 711, 719; 310/62,
310/63, 67 R; 415/176; 417/354, 423.15,
417/423.7; D23/370

See application file for complete search history.

DESCRIPTION

FIG. 1 is a perspective view of the mini fan casing in accordance with the claimed design;

FIG. 2 is a front elevation view thereof;

FIG. 3 is a rear elevation view thereof;

FIG. 4 is a left side elevation view thereof;

FIG. 5 is a right side elevation view thereof;

FIG. 6 is a top plan view thereof; and,

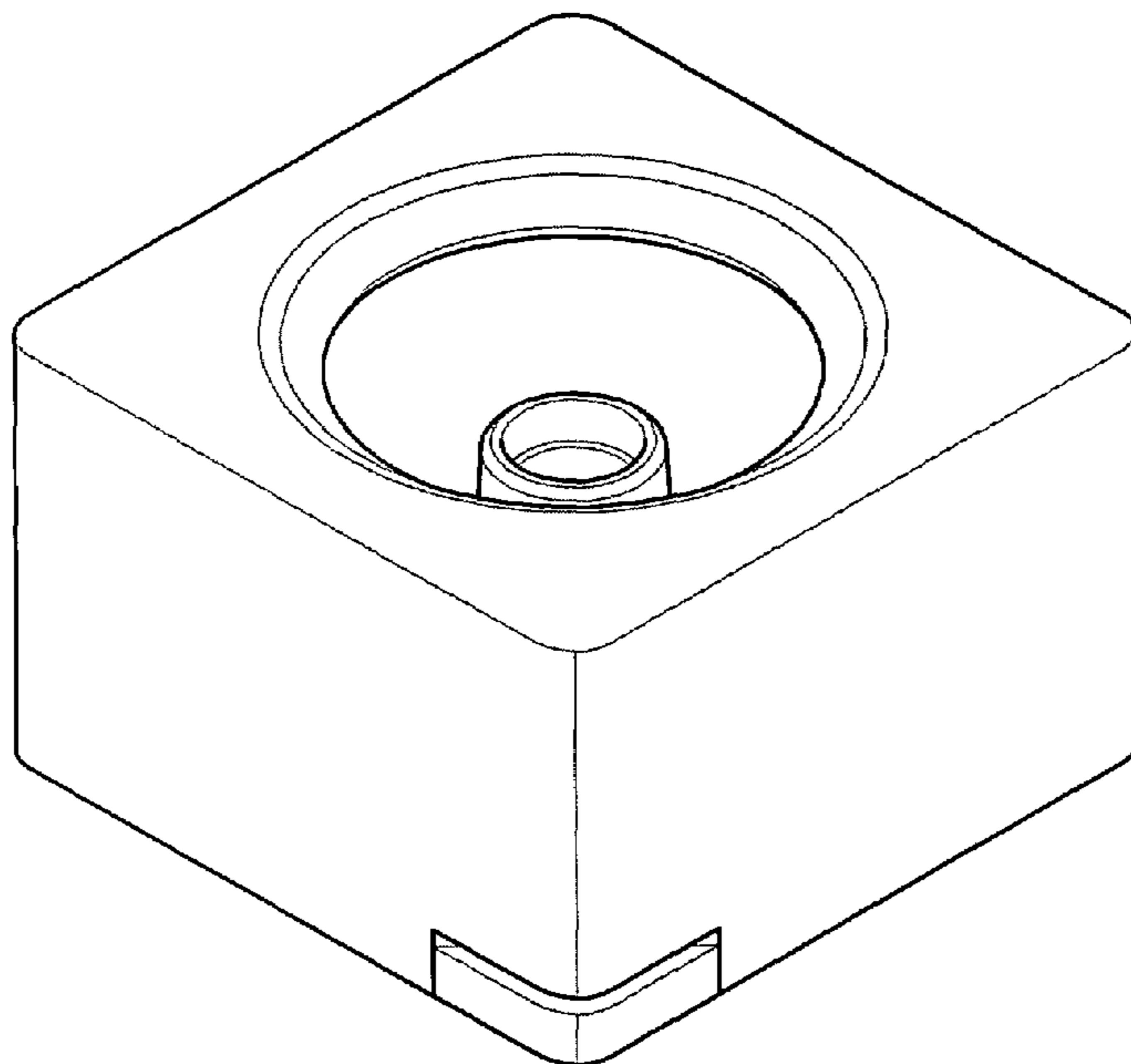
FIG. 7 is a bottom plan view thereof wherein the broken lines define portions of the mini fan casing that form no part of the claimed design.

(56) **References Cited**

U.S. PATENT DOCUMENTS

| | | |
|-------------|--------|---------------|
| 5,297,617 A | 3/1994 | Herbert |
| D356,777 S | 3/1995 | Katsui et al. |
| D357,900 S | 5/1995 | Katsui et al. |

1 Claim, 4 Drawing Sheets



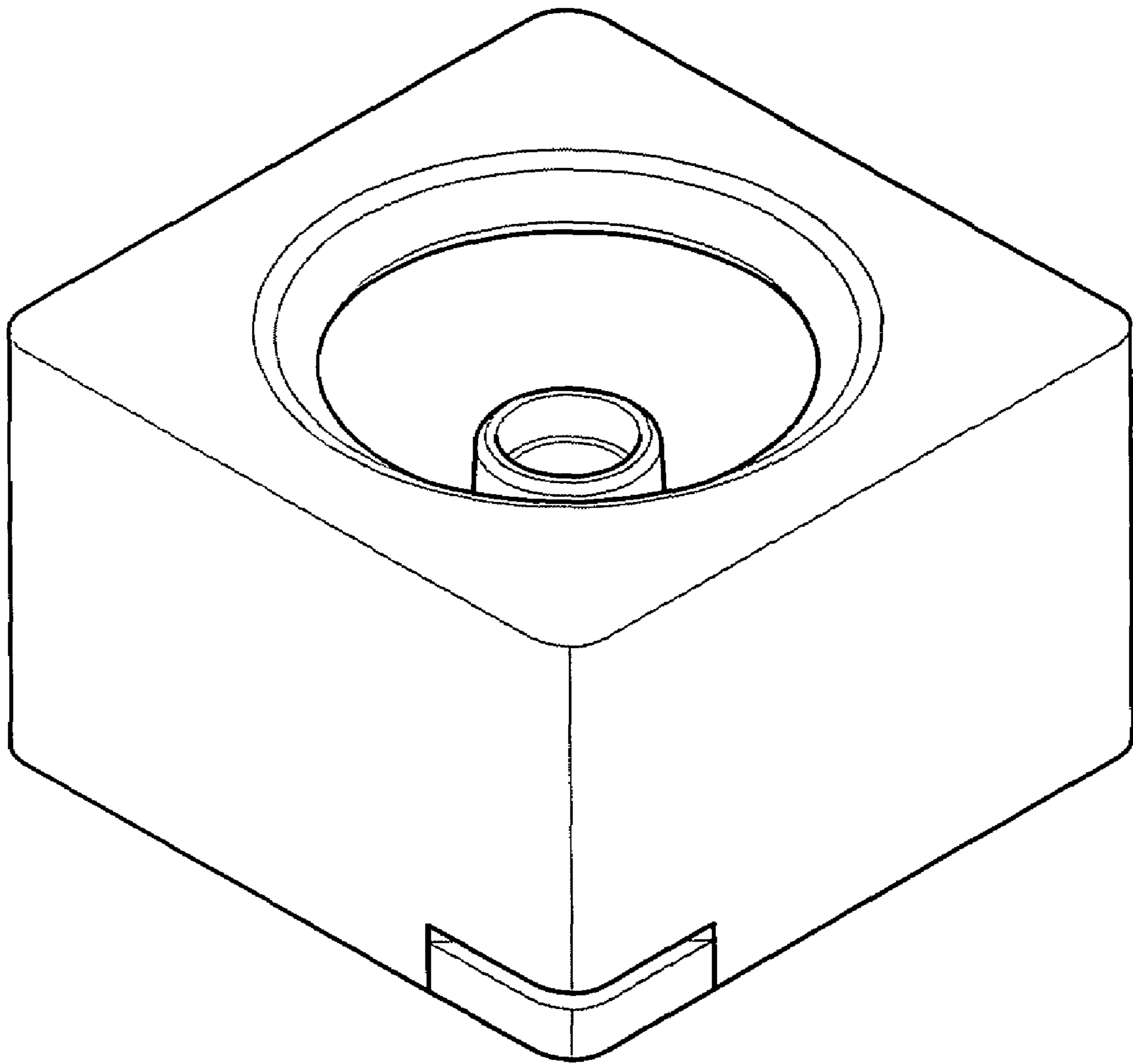


FIG. 1

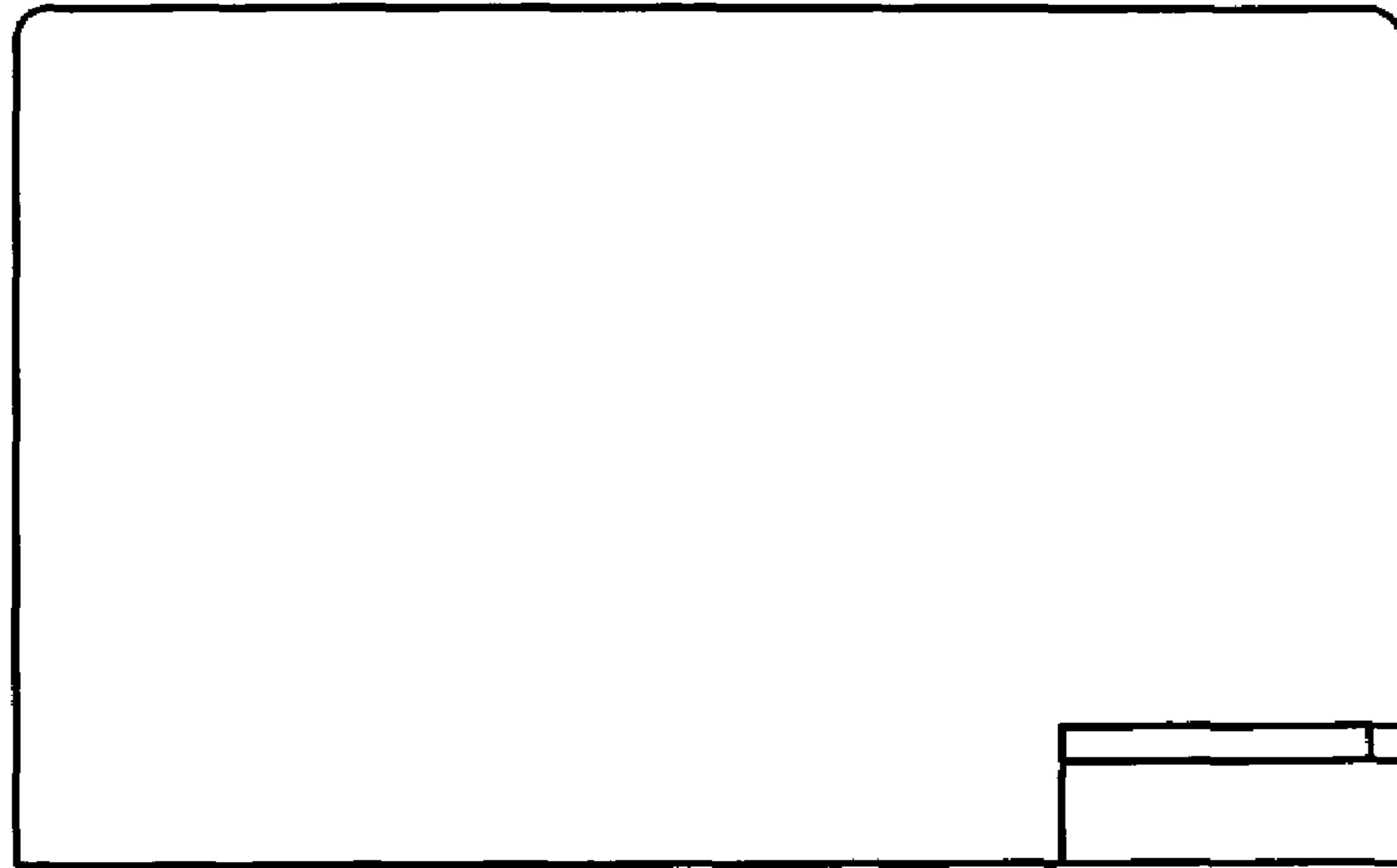


FIG. 2

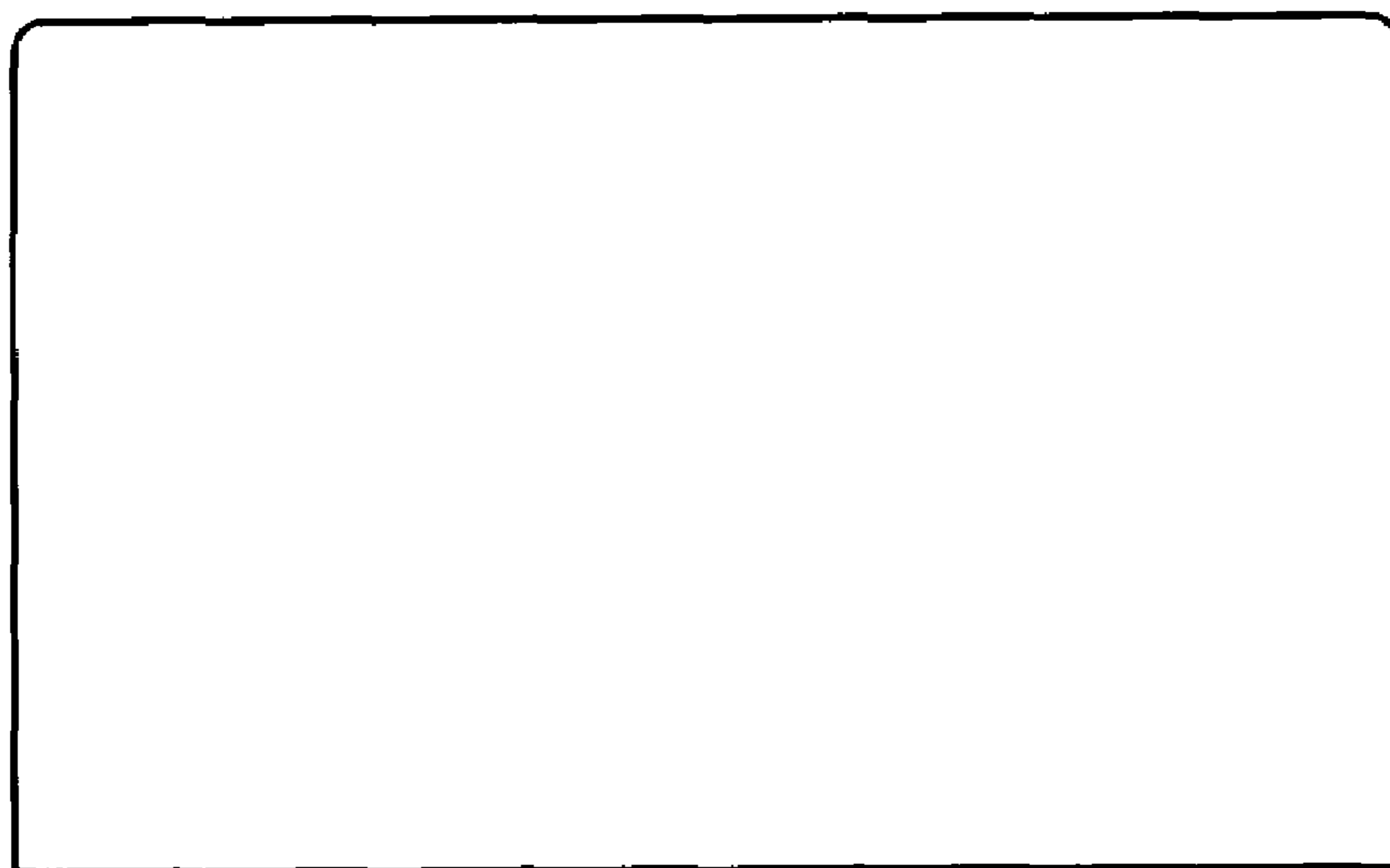


FIG. 3

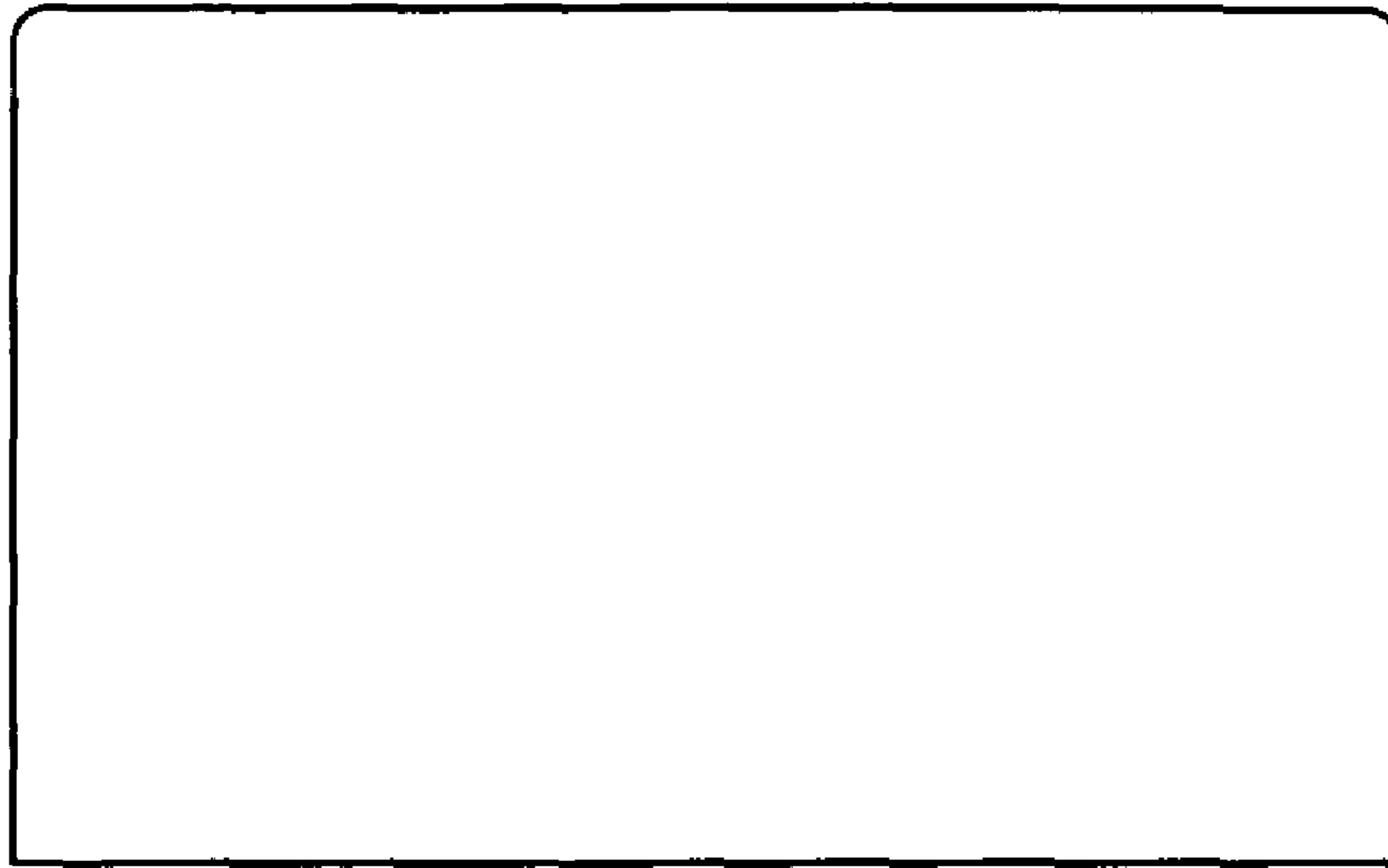


FIG. 4

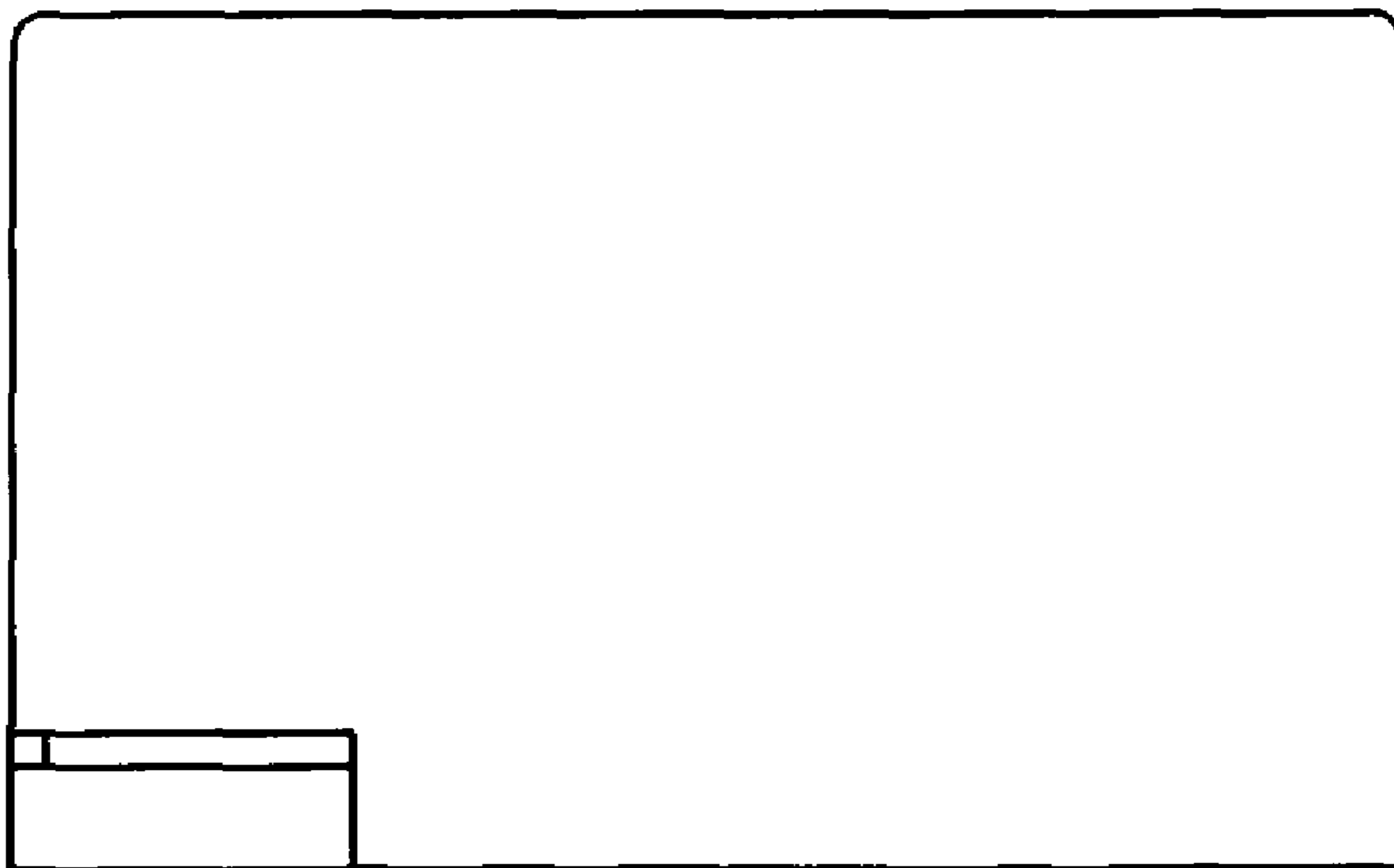


FIG. 5

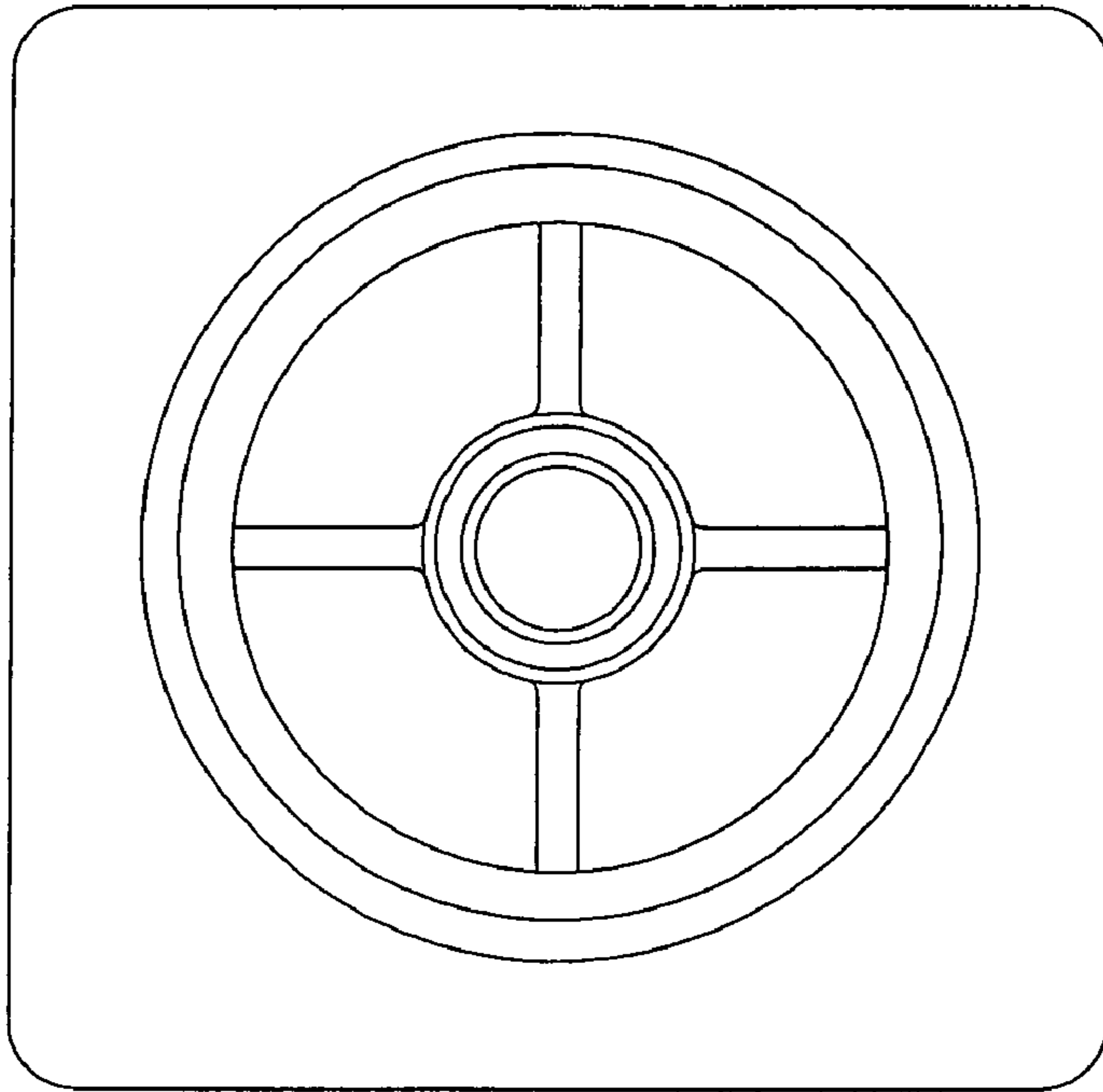


FIG. 6

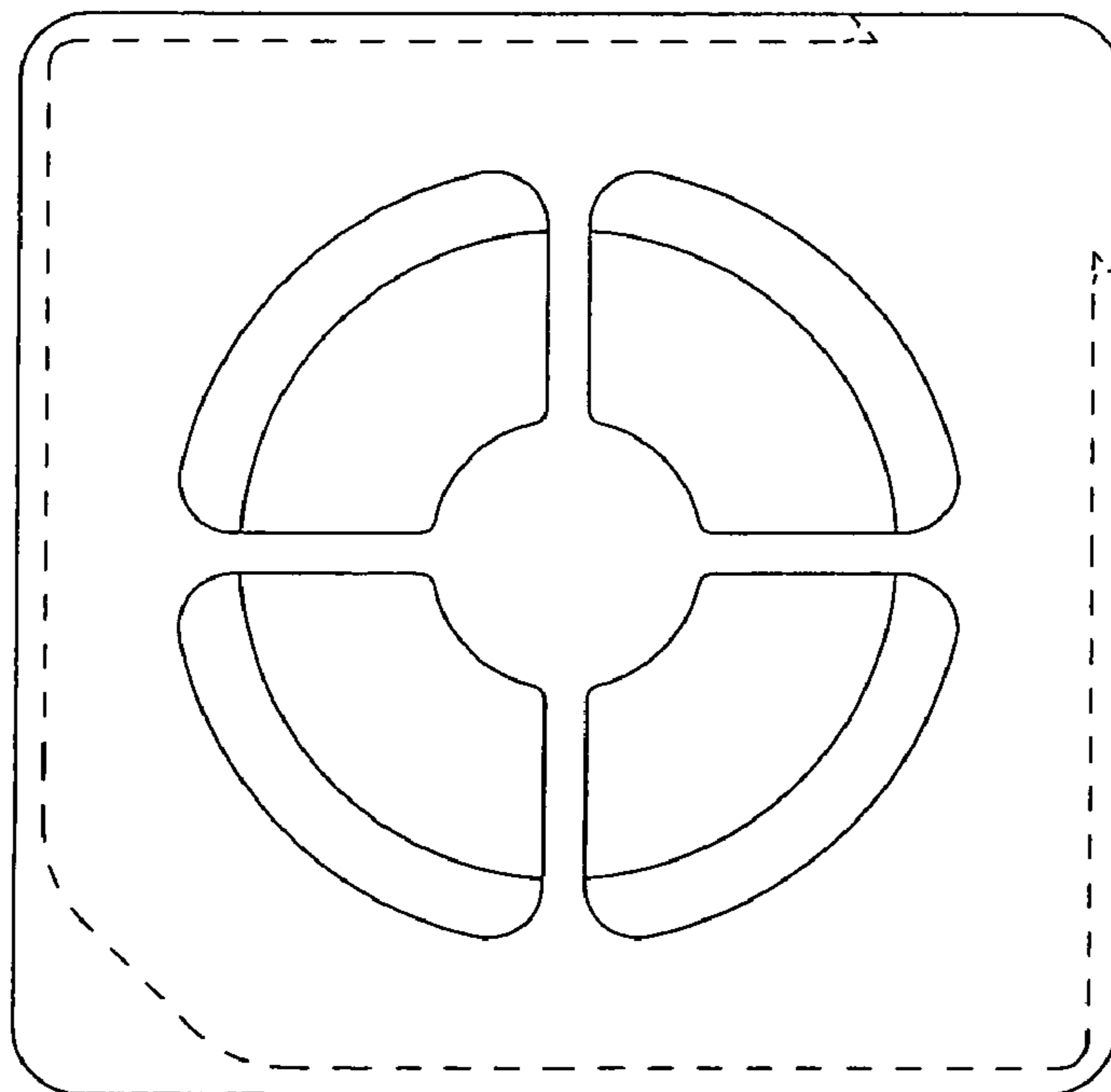


FIG. 7