



US00D589905S

(12) **United States Design Patent**
Lin et al.

(10) **Patent No.:** **US D589,905 S**
(45) **Date of Patent:** **** Apr. 7, 2009**

(54) **ACTUATOR BOX WITH A CONTROLLING KEY**

(75) Inventors: **Yu-Jian Lin**, Taichung (TW);
Cheng-Han Tsai, Taichung (TW)

(73) Assignee: **Hiwin Mikrosystem Corp.**, Taichung (TW)

(**) Term: **14 Years**

(21) Appl. No.: **29/275,380**

(22) Filed: **Dec. 22, 2006**

(51) **LOC (9) Cl.** **14-03**

(52) **U.S. Cl.** **D13/168**

(58) **Field of Classification Search** D13/168;
D10/104, 106; D14/218, 247; 340/825.22,
340/825.24, 825.25, 825.31, 825.36, 825.69,
340/825.72; 341/20, 22, 23, 34, 176; 345/156,
345/158, 169; 348/734; 455/92, 95, 100,
455/128, 151.1–151.4, 352–355; 463/39;
700/17, 19, 20, 65, 83; 318/16, 120

See application file for complete search history.

(56) **References Cited**

U.S. PATENT DOCUMENTS

D253,234 S * 10/1979 Cooke D13/168
D266,501 S * 10/1982 Stefanik D13/168
D362,660 S * 9/1995 Fromson D13/168
5,544,376 A * 8/1996 Fromson 5/618

5,926,002 A * 7/1999 Cavanaugh et al. 318/672
6,008,598 A * 12/1999 Luff et al. 318/16
6,106,576 A * 8/2000 Fromson 318/16
6,351,678 B1 * 2/2002 Borders 700/83
D493,149 S * 7/2004 Murtaugh et al. D13/168
D524,253 S * 7/2006 Maeyama et al. D13/168
D548,703 S * 8/2007 Vendramini D13/168
D570,792 S * 6/2008 Leung D13/168

* cited by examiner

Primary Examiner—Selina Sikder

(74) *Attorney, Agent, or Firm*—Banger Shia

(57) **CLAIM**

The ornamental design for an actuator box with a controlling key, as shown and described.

DESCRIPTION

FIG. 1 is a perspective view of an actuator box with a controlling key showing our new design;

FIG. 2 is a front elevational view thereof,

FIG. 3 is a rear elevational view thereof,

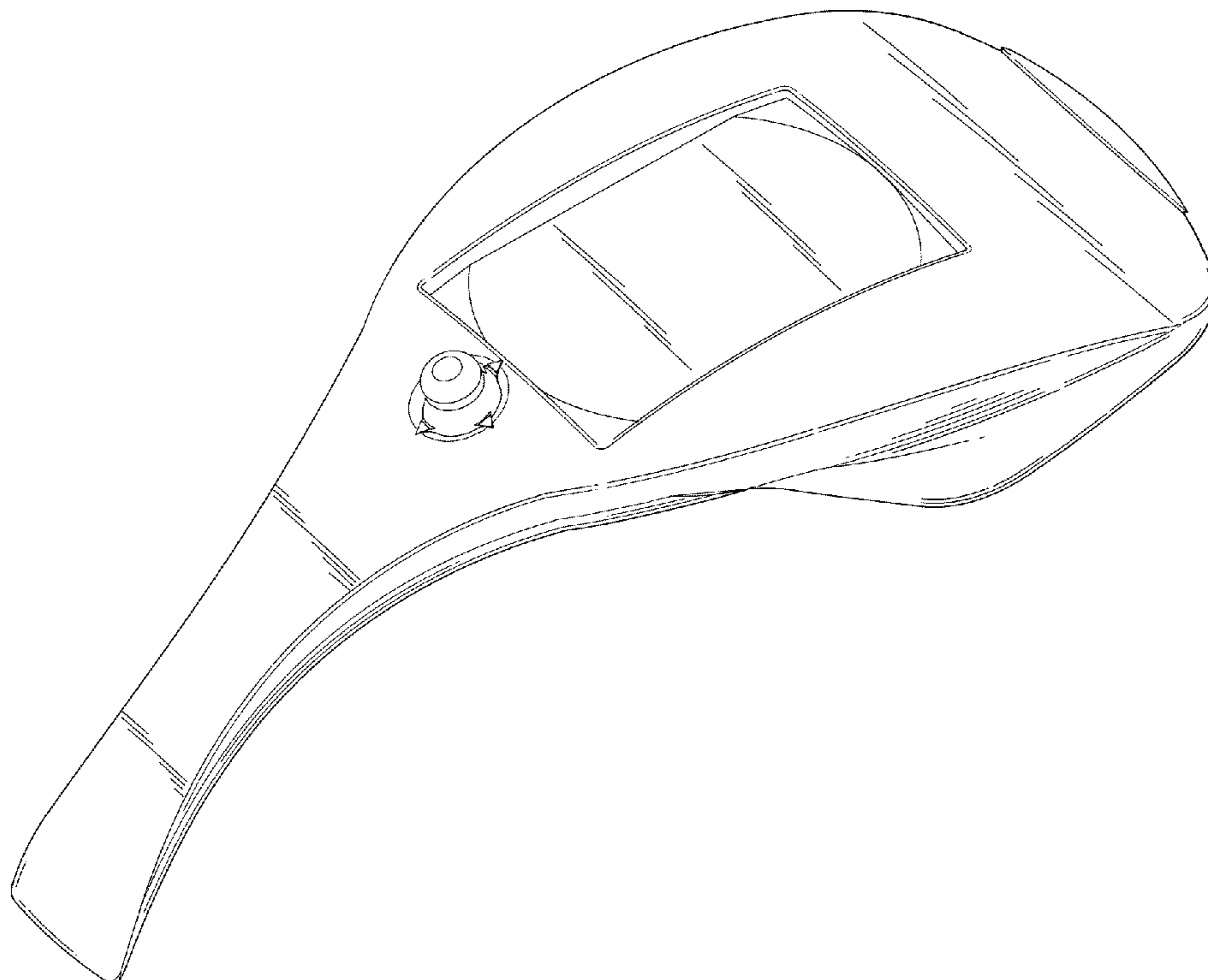
FIG. 4 is a left side elevational view thereof,

FIG. 5 is a right side elevational view thereof,

FIG. 6 is a top plan view thereof; and,

FIG. 7 is a bottom plan view wherein the broken lines define portions of the actuator box that form no part of the claimed design.

1 Claim, 7 Drawing Sheets



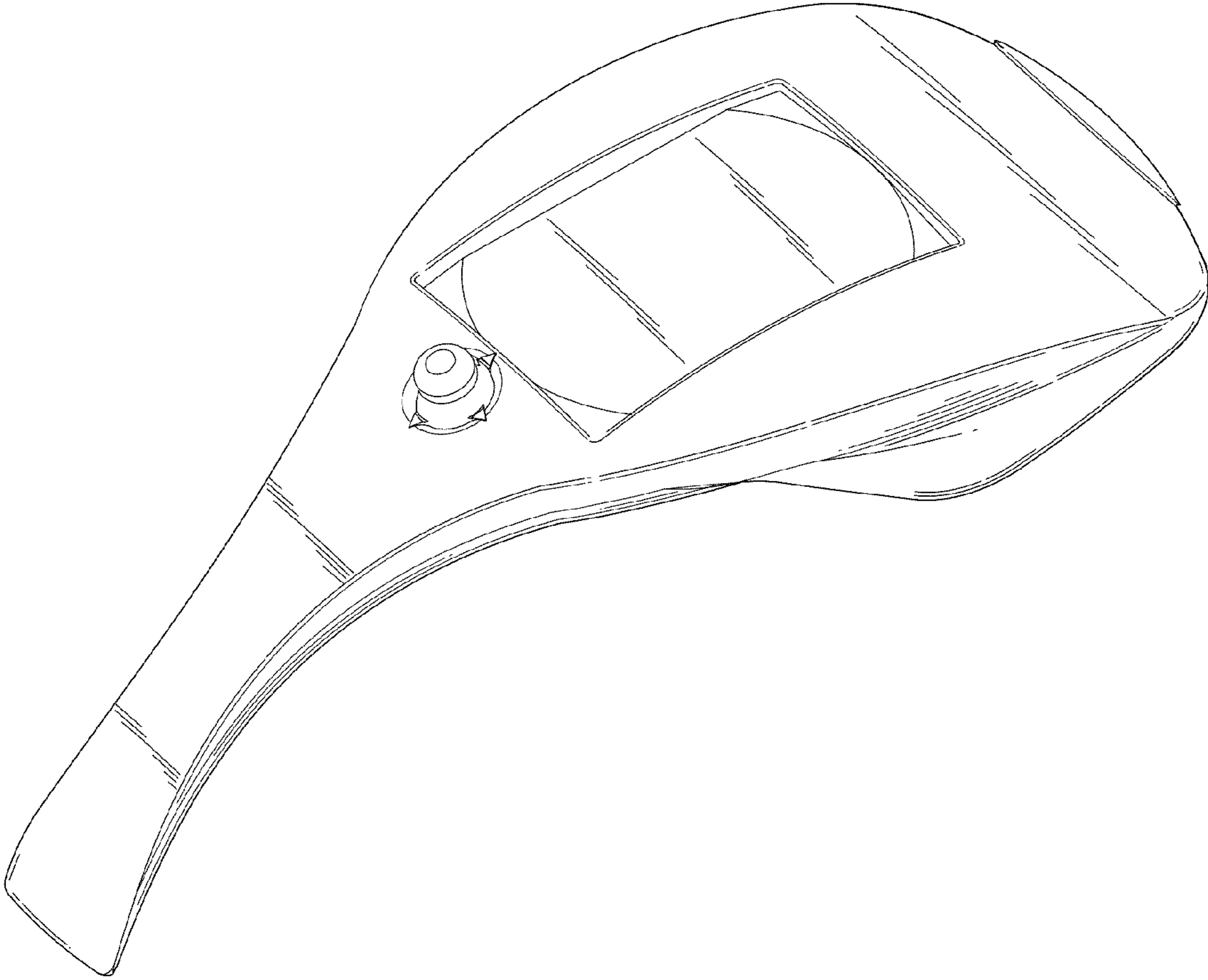


FIG. 1

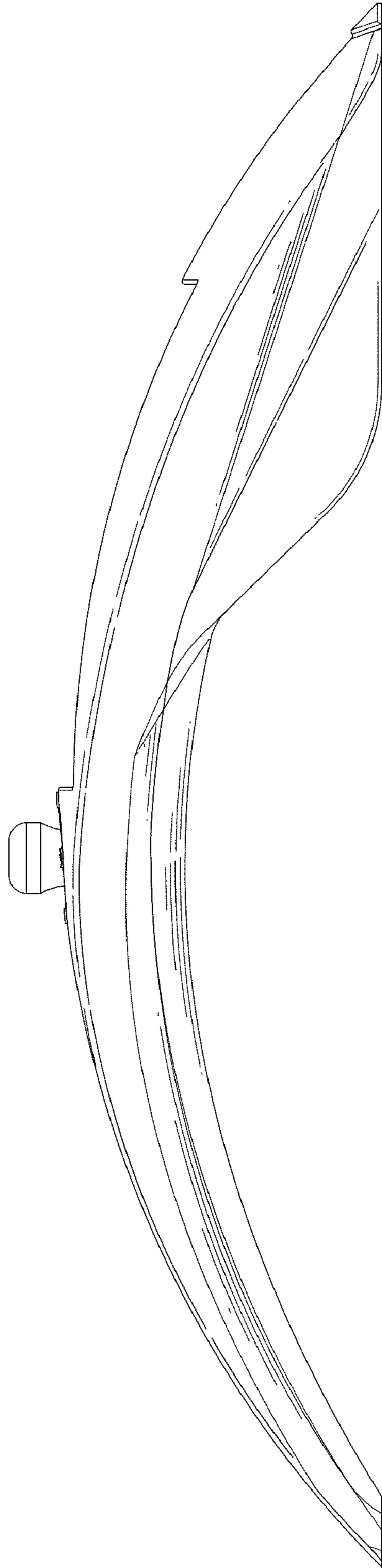


FIG. 2

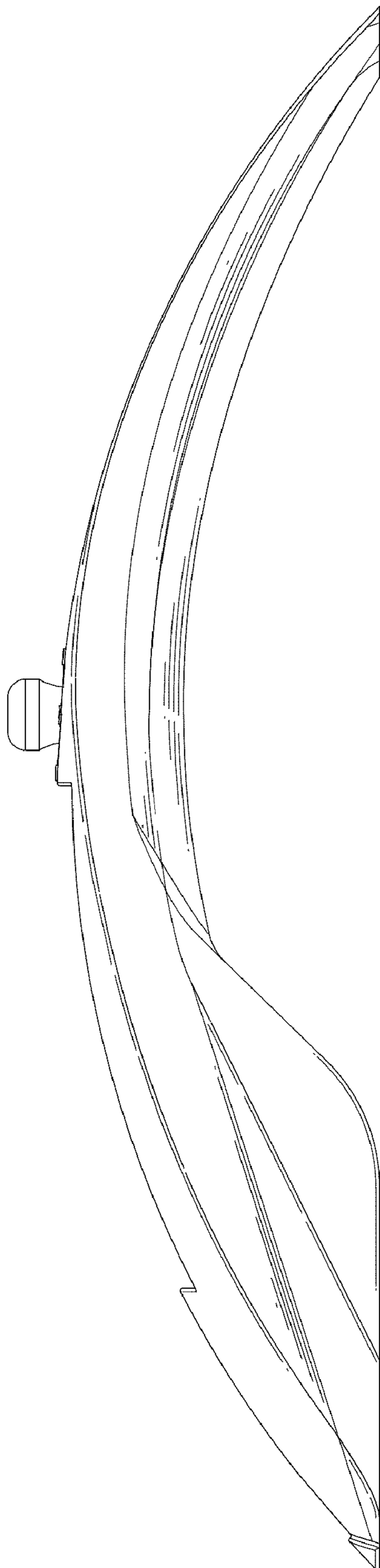


FIG. 3

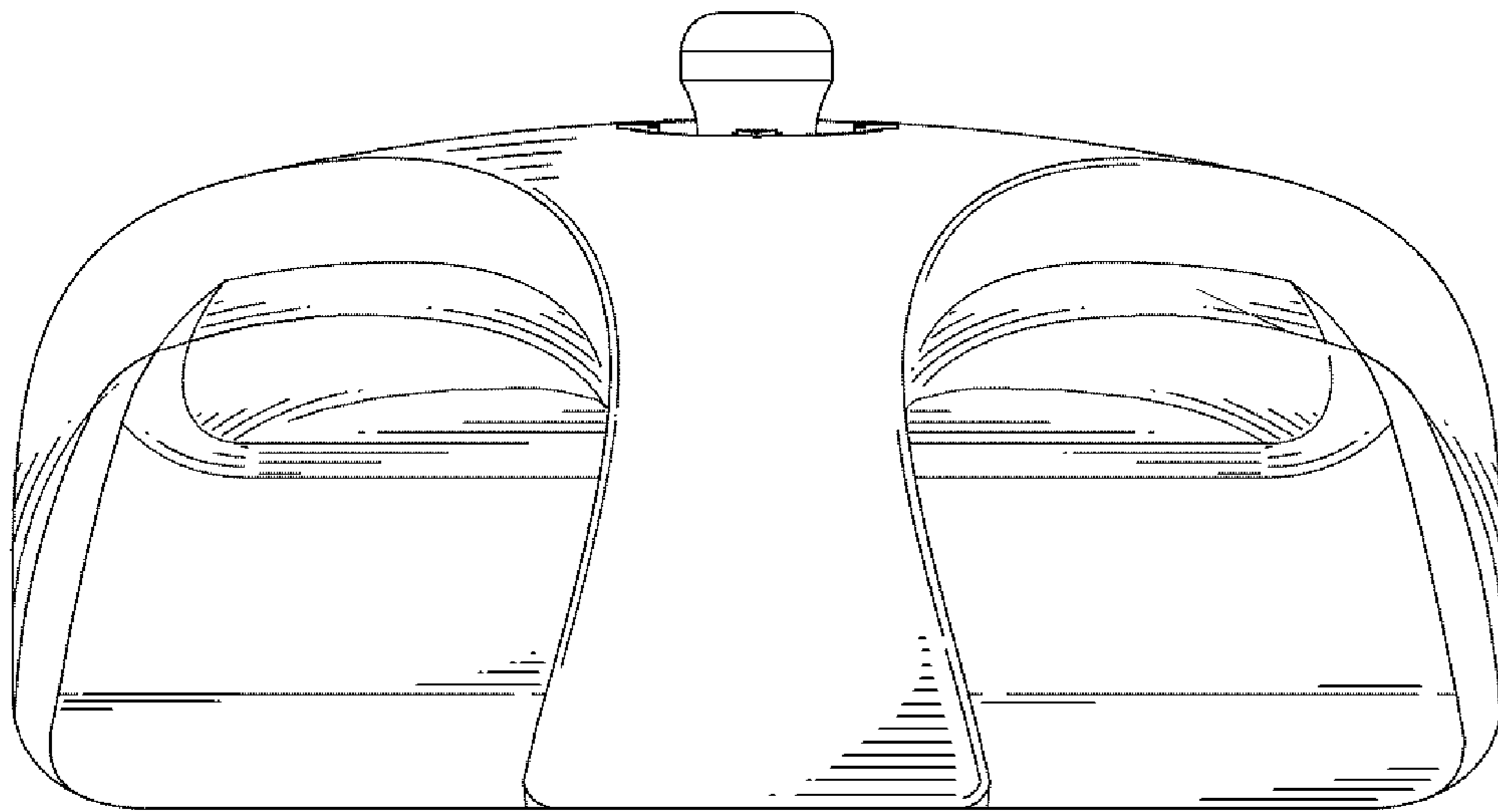


FIG. 4

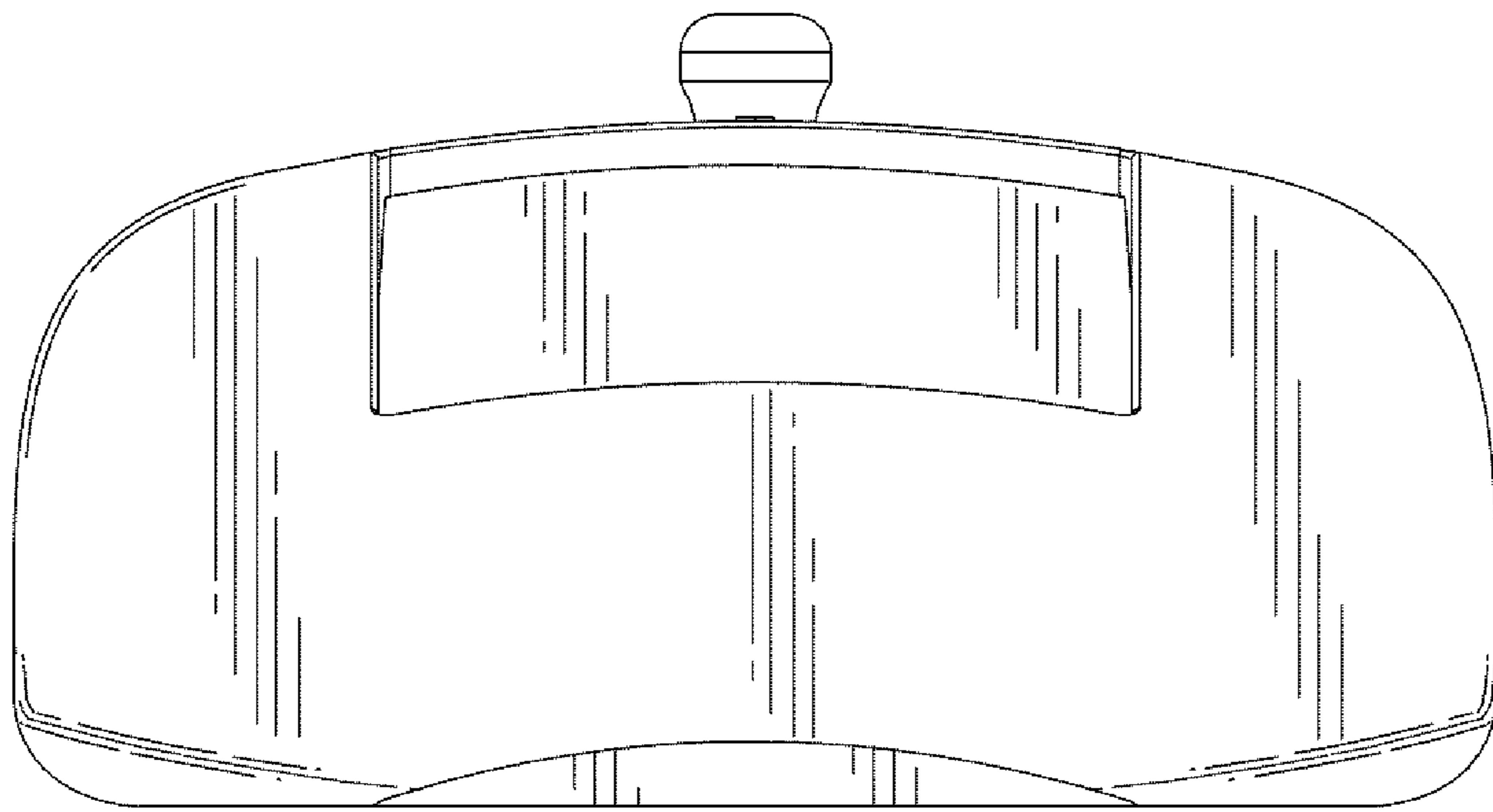


FIG. 5

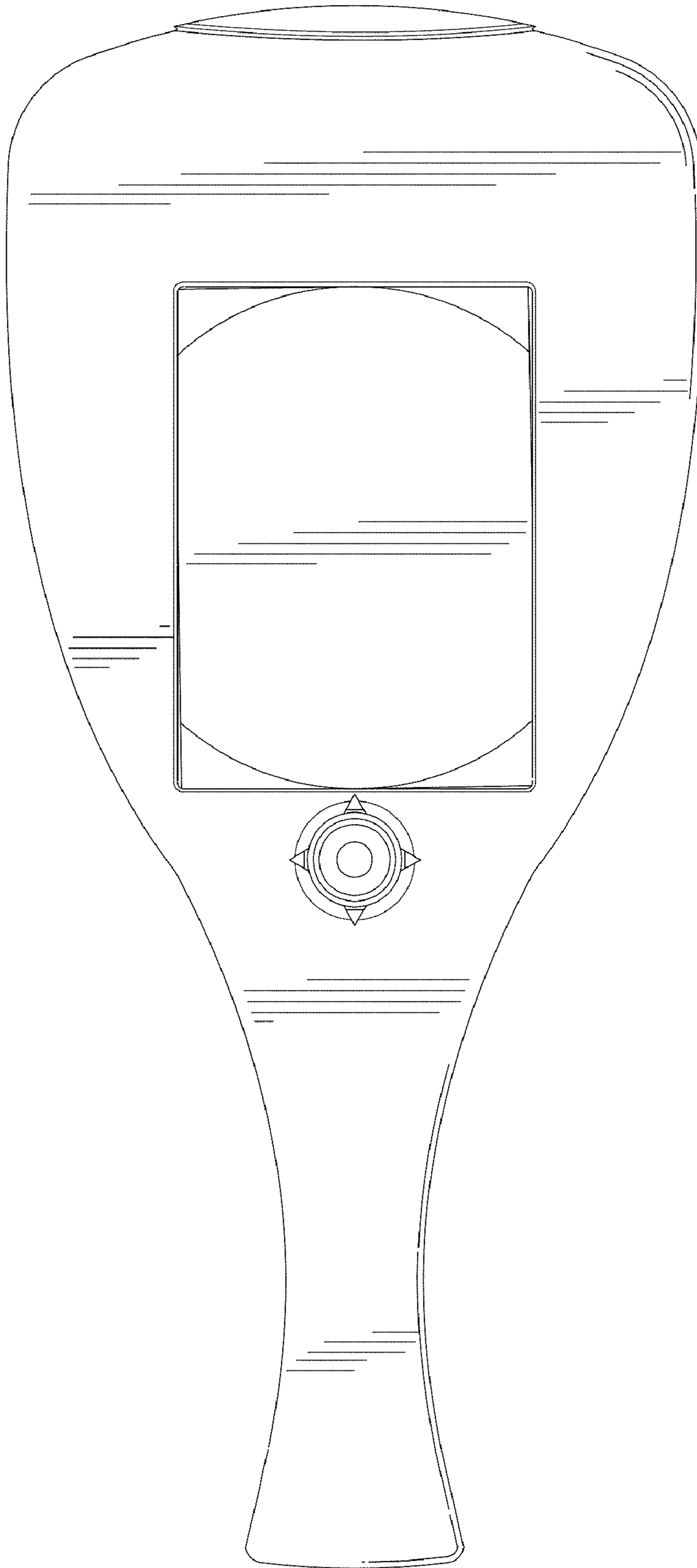


FIG. 6

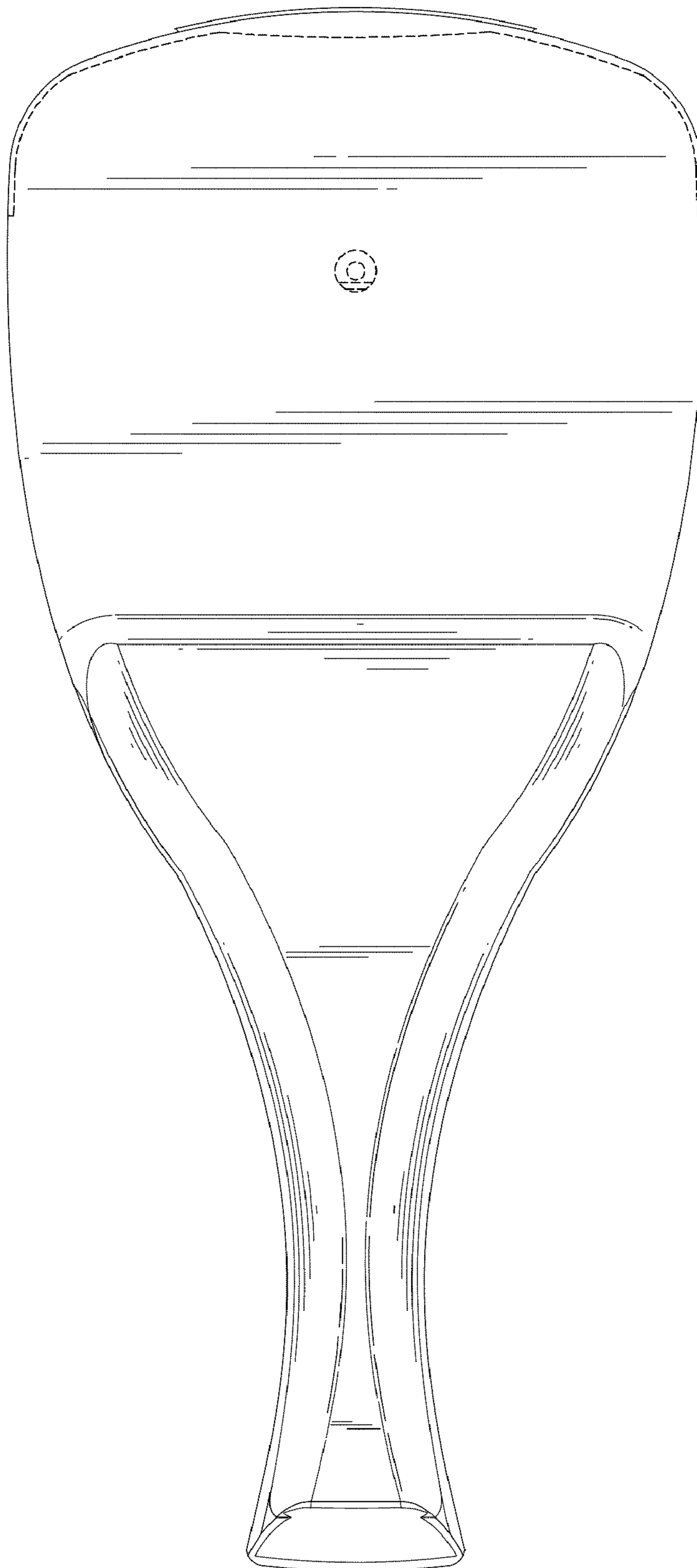


FIG. 7