



US00D589904S

(12) **United States Design Patent**
Yoshida et al.

(10) **Patent No.:** **US D589,904 S**
(45) **Date of Patent:** **** Apr. 7, 2009**

(54) **SWITCH**

(75) Inventors: **Haruo Yoshida**, Tokyo (JP); **Yuichi Kato**, Tokyo (JP); **Yosuke Sakai**, Tokyo (JP)

(73) Assignee: **SMK Corporation**, Tokyo (JP)

(**) Term: **14 Years**

(21) Appl. No.: **29/297,641**

(22) Filed: **Nov. 15, 2007**

(30) **Foreign Application Priority Data**

May 21, 2007 (JP) 2007-013340
May 21, 2007 (JP) 2007-013341
May 21, 2007 (JP) 2007-013342

(51) **LOC (9) Cl.** **13-03**

(52) **U.S. Cl.** **D13/158; D13/171**

(58) **Field of Classification Search** D13/158,
D13/169, 171, 174, 184, 199; 200/1 B, 5 A,
200/6 R, 293-297, 314, 315, 341, 344, 406,
200/513, 520, 523, 530

See application file for complete search history.

(56) **References Cited**

U.S. PATENT DOCUMENTS

5,245,147 A * 9/1993 Kobayashi 200/520
5,760,352 A * 6/1998 Ishihara et al. 200/16 D
D533,144 S * 12/2006 Asada D13/171

D535,617 S * 1/2007 Yoneyama et al. D13/133
D537,797 S * 3/2007 Yanai et al. D13/171
7,199,321 B1 * 4/2007 Huang 200/406
7,250,581 B2 * 7/2007 Asada 200/341
D565,513 S * 4/2008 Biondo et al. D13/174
D568,256 S * 5/2008 Asada D13/158

* cited by examiner

Primary Examiner—Daniel D Bui

Assistant Examiner—Thomas J Johannes

(74) *Attorney, Agent, or Firm*—Darby & Darby P.C.

(57) **CLAIM**

The ornamental design for switch, as shown and described.

DESCRIPTION

FIG. 1 is a front view of a switch, showing our new design;

FIG. 2 is a back view thereof;

FIG. 3 is a top view thereof;

FIG. 4 is a right side view thereof;

FIG. 5 is a left side view thereof;

FIG. 6 is a bottom view thereof;

FIG. 7 is a front right perspective view thereof; and,

FIG. 8 is a back left perspective view thereof.

The broken line showing of the interior of the switch in FIGS. 3, 4, 5, and 6 is included for the purpose of illustrating unclaimed detail and forms no part of the claimed design.

1 Claim, 5 Drawing Sheets

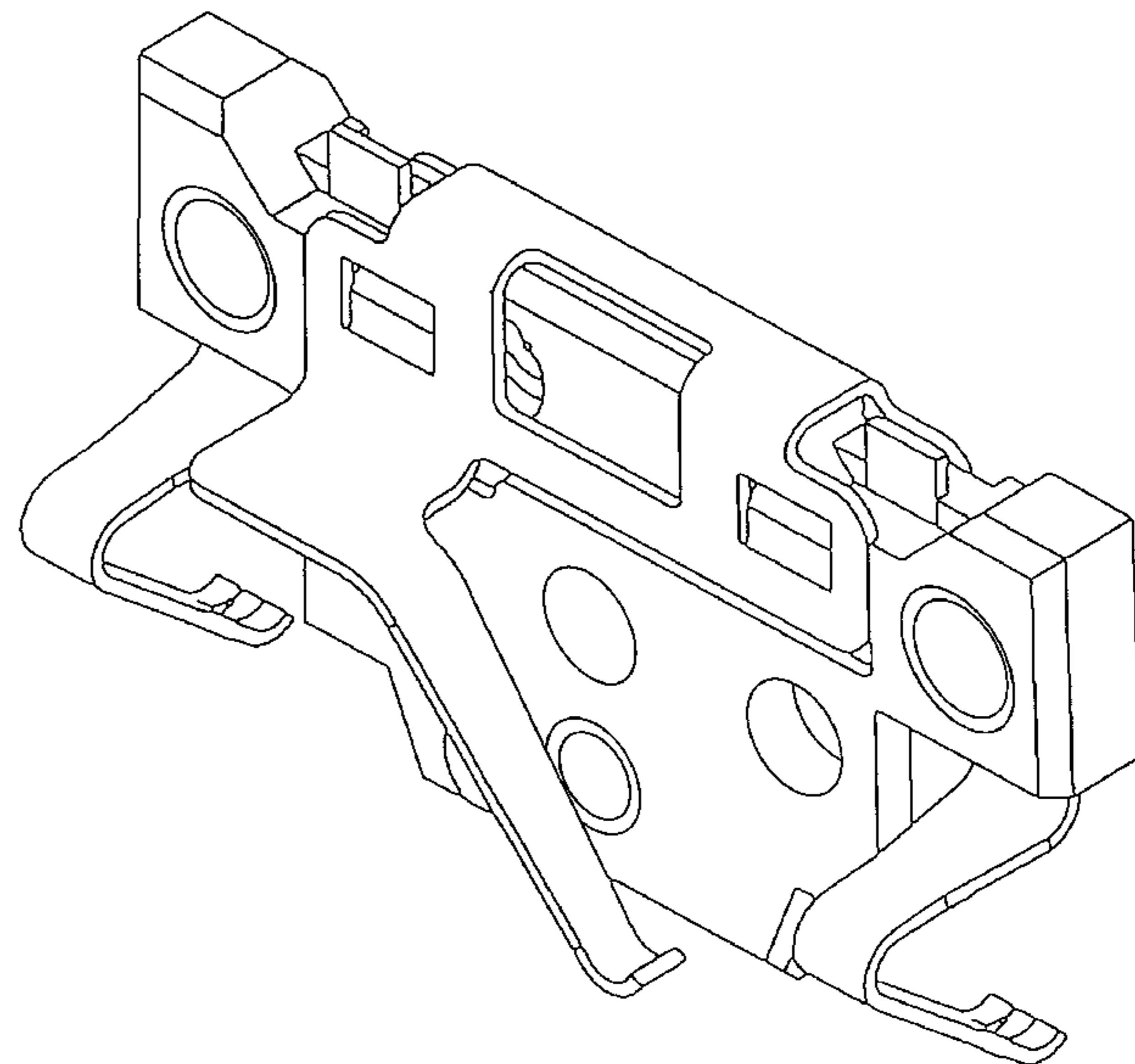
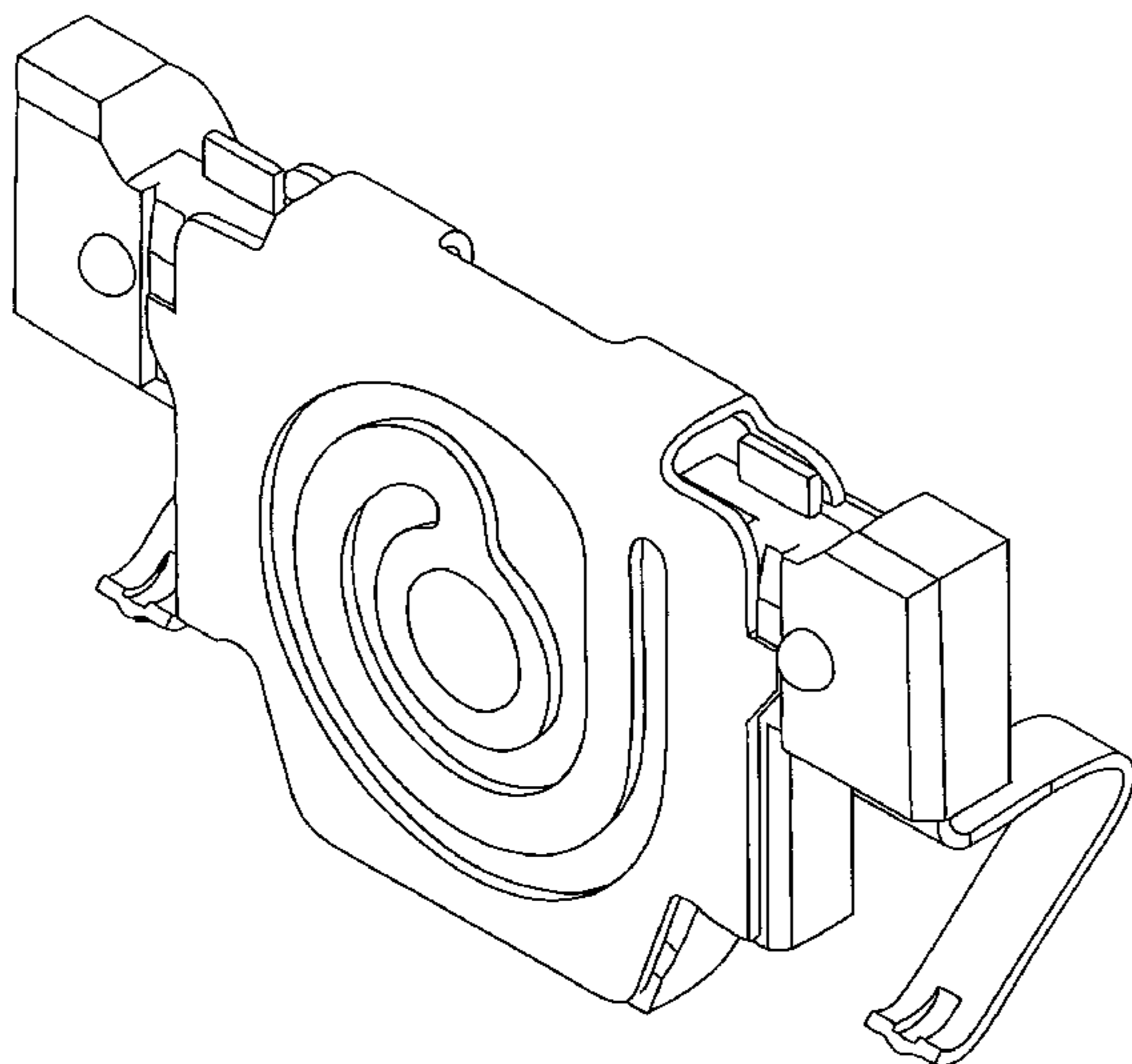


Fig. 1

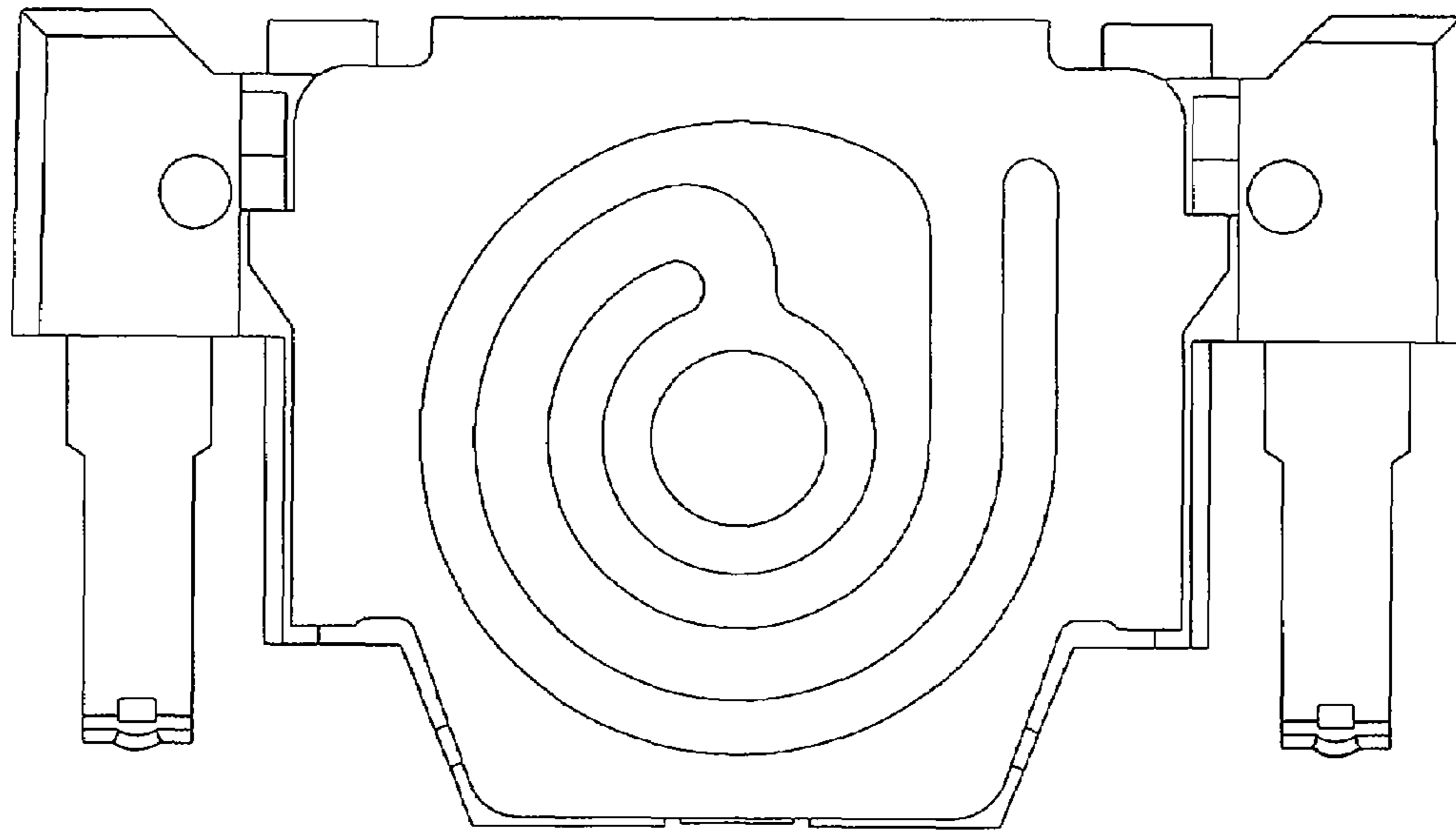
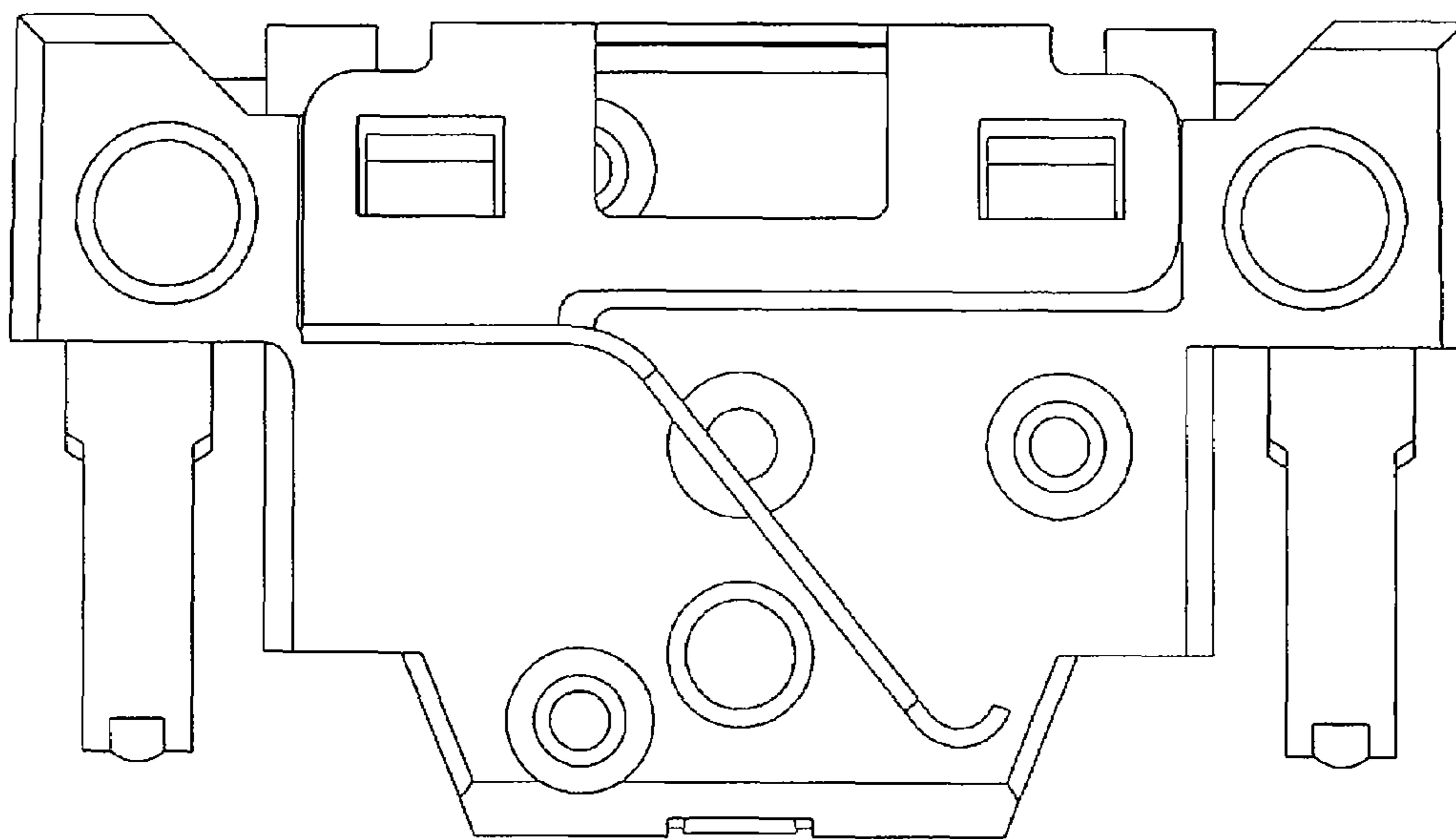


Fig. 2



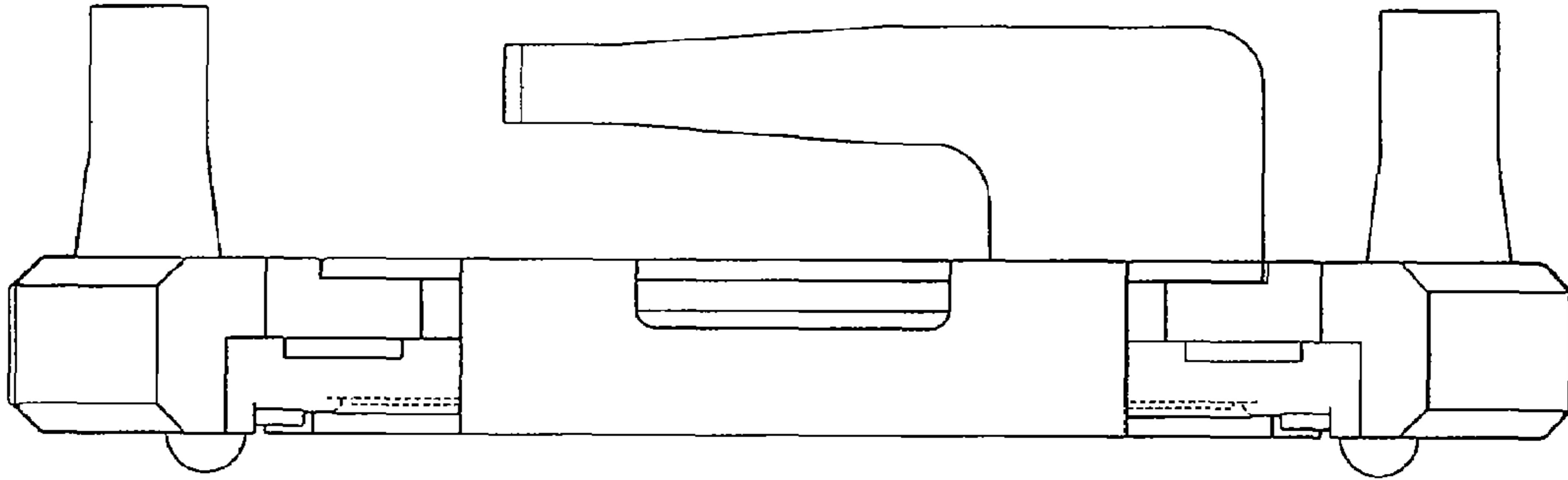


Fig. 3

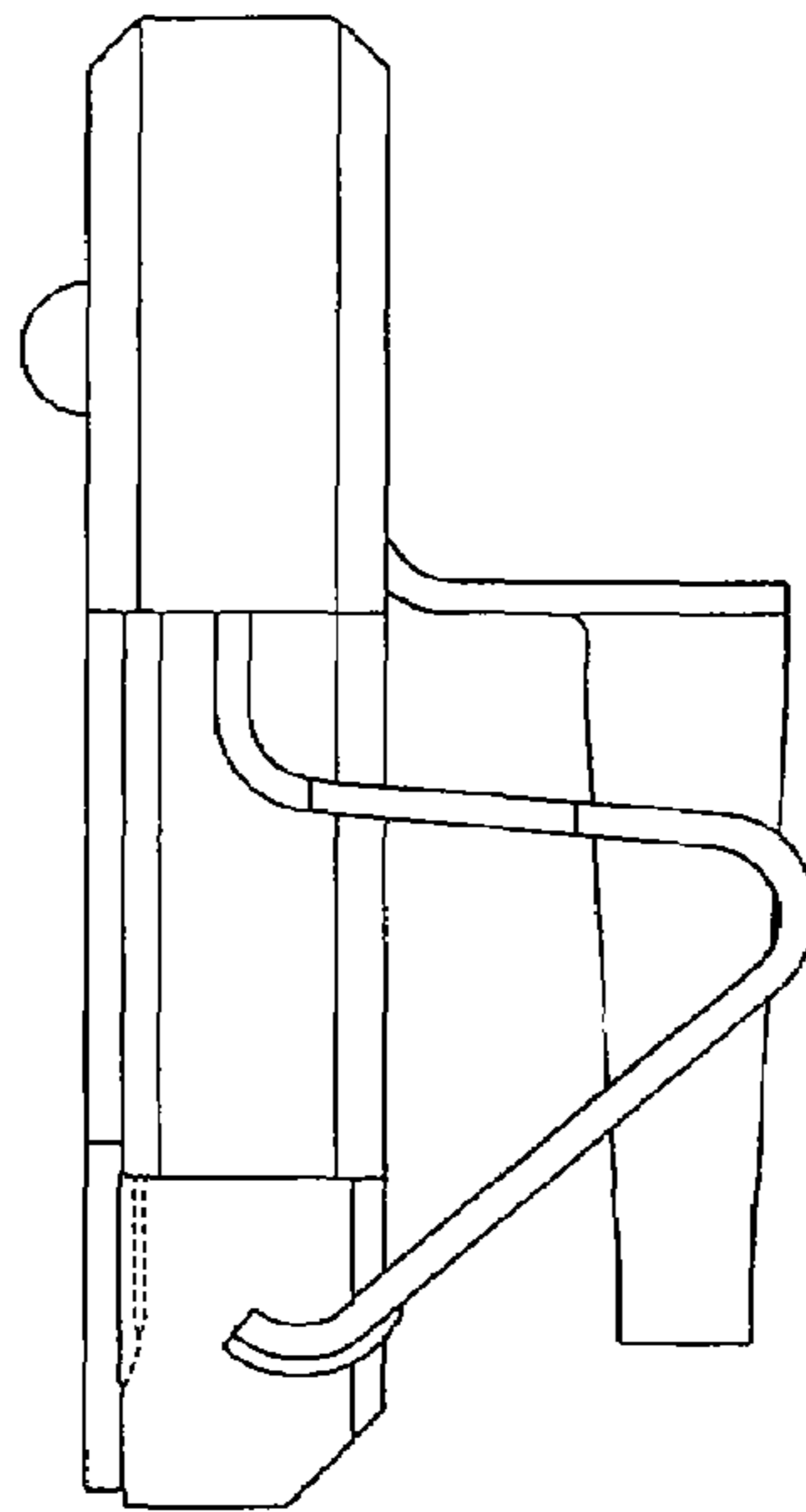


Fig. 4

Fig. 5

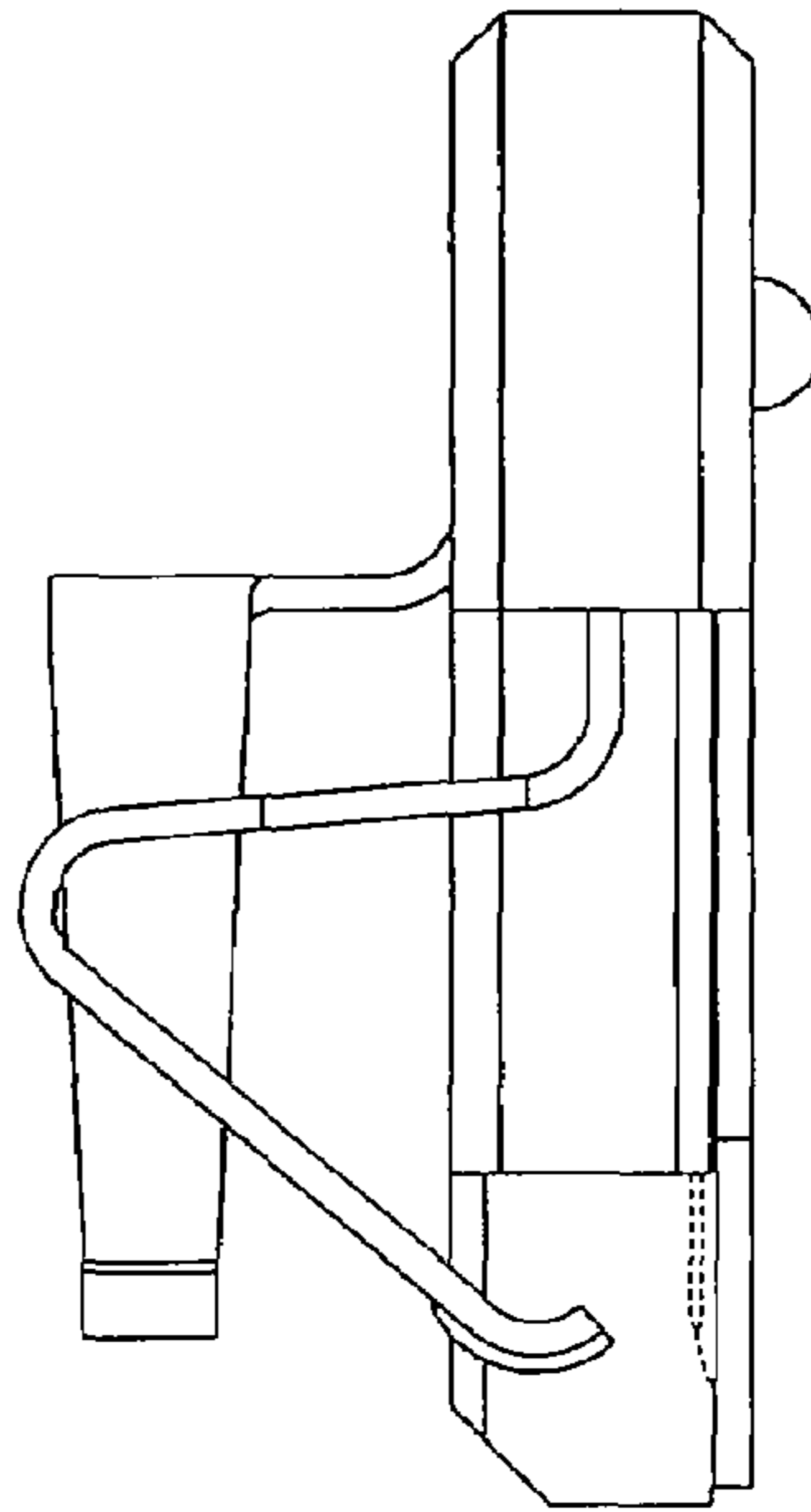


Fig. 6

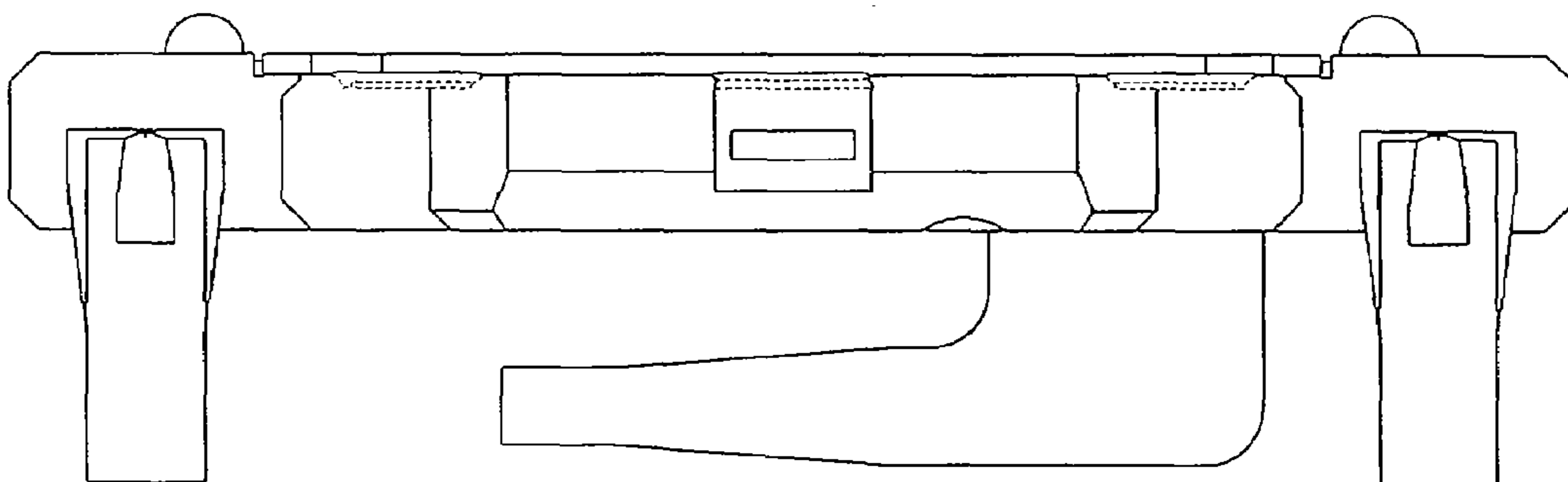


Fig. 7

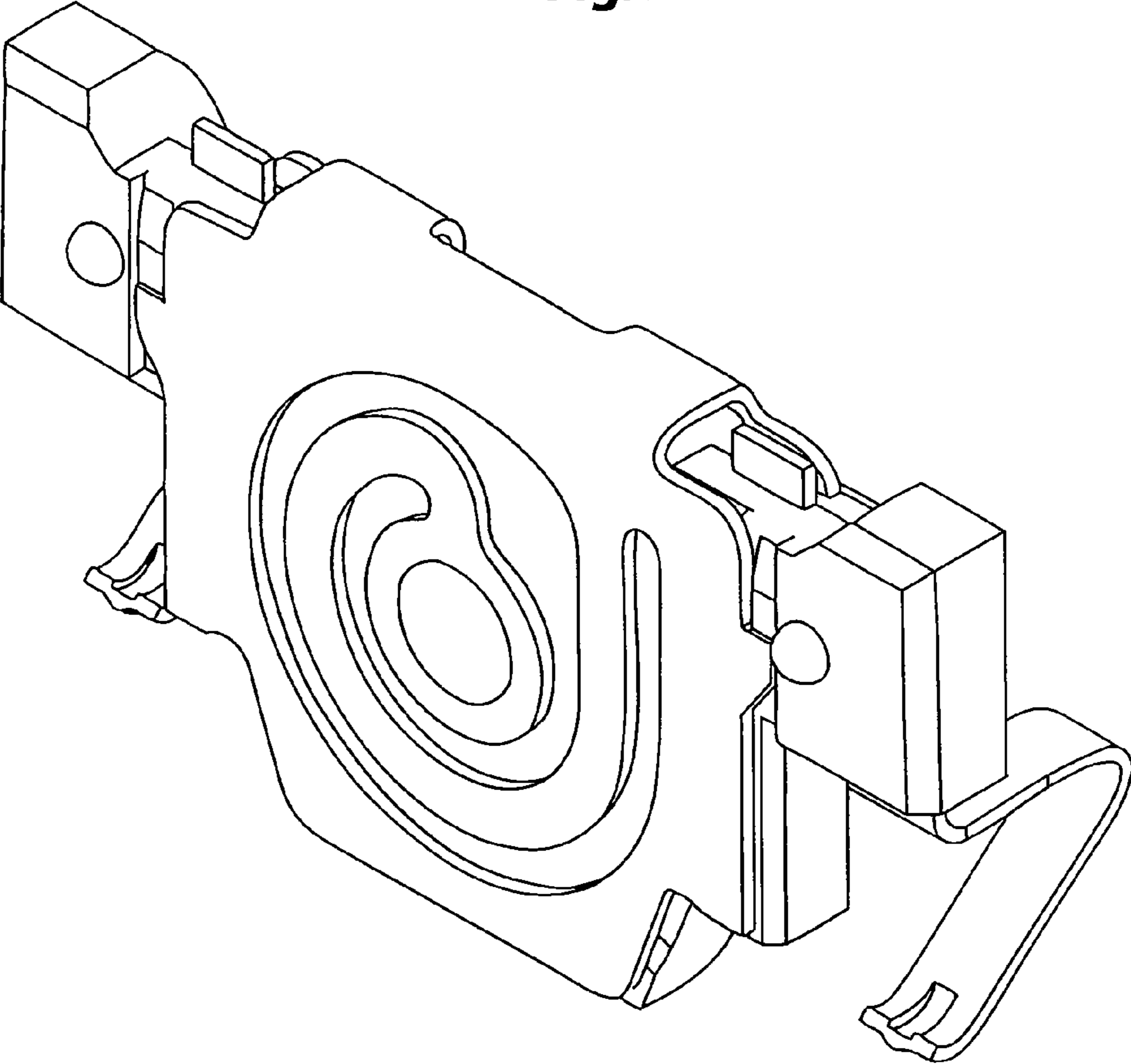


Fig. 8

