



US00D589903S

(12) **United States Design Patent**
Duan et al.

(10) **Patent No.:** **US D589,903 S**
(45) **Date of Patent:** **** Apr. 7, 2009**

(54) **CONNECTOR CONTACT**

(75) Inventors: **Li Yang Duan**, Tu-Cheng (TW); **Wei Hong Liao**, Tu-Cheng (TW); **Ming Chiang Chen**, Tu-Cheng (TW)

(73) Assignee: **Cheng Uei Precision Industry Co., Ltd.**, Taipei Hsien (TW)

(**) Term: **14 Years**

(21) Appl. No.: **29/309,478**

(22) Filed: **Aug. 22, 2008**

(51) **LOC (9) Cl.** **13-03**

(52) **U.S. Cl.** **D13/154; D13/149**

(58) **Field of Classification Search** D13/118-121, D13/133, 146-149, 154, 184, 199; 439/83, 439/108, 166, 500, 577, 630, 650, 660, 680, 439/700, 773.1, 845, 849-850, 862, 907
See application file for complete search history.

(56) **References Cited**

U.S. PATENT DOCUMENTS

D453,739 S * 2/2002 Lin D13/148
D478,315 S * 8/2003 Kondas D13/146
D504,665 S * 5/2005 Lai et al. D13/154

D516,039 S * 2/2006 Lei et al. D13/154
D554,589 S * 11/2007 Kondas D13/149
D572,191 S * 7/2008 Chen et al. D13/120
D582,348 S * 12/2008 Shiu D13/154
2007/0243458 A1 * 10/2007 Roehm et al. 429/96

* cited by examiner

Primary Examiner—Jennifer Rivard

Assistant Examiner—Rosemary K Tarcza

(74) *Attorney, Agent, or Firm*—Rosenberg, Klein & Lee

(57) **CLAIM**

The ornamental design for a connector contact, as shown and described.

DESCRIPTION

FIG. 1 is a perspective view of a connector contact showing our new design;

FIG. 2 is a front elevational view thereof;

FIG. 3 is a rear elevational view thereof;

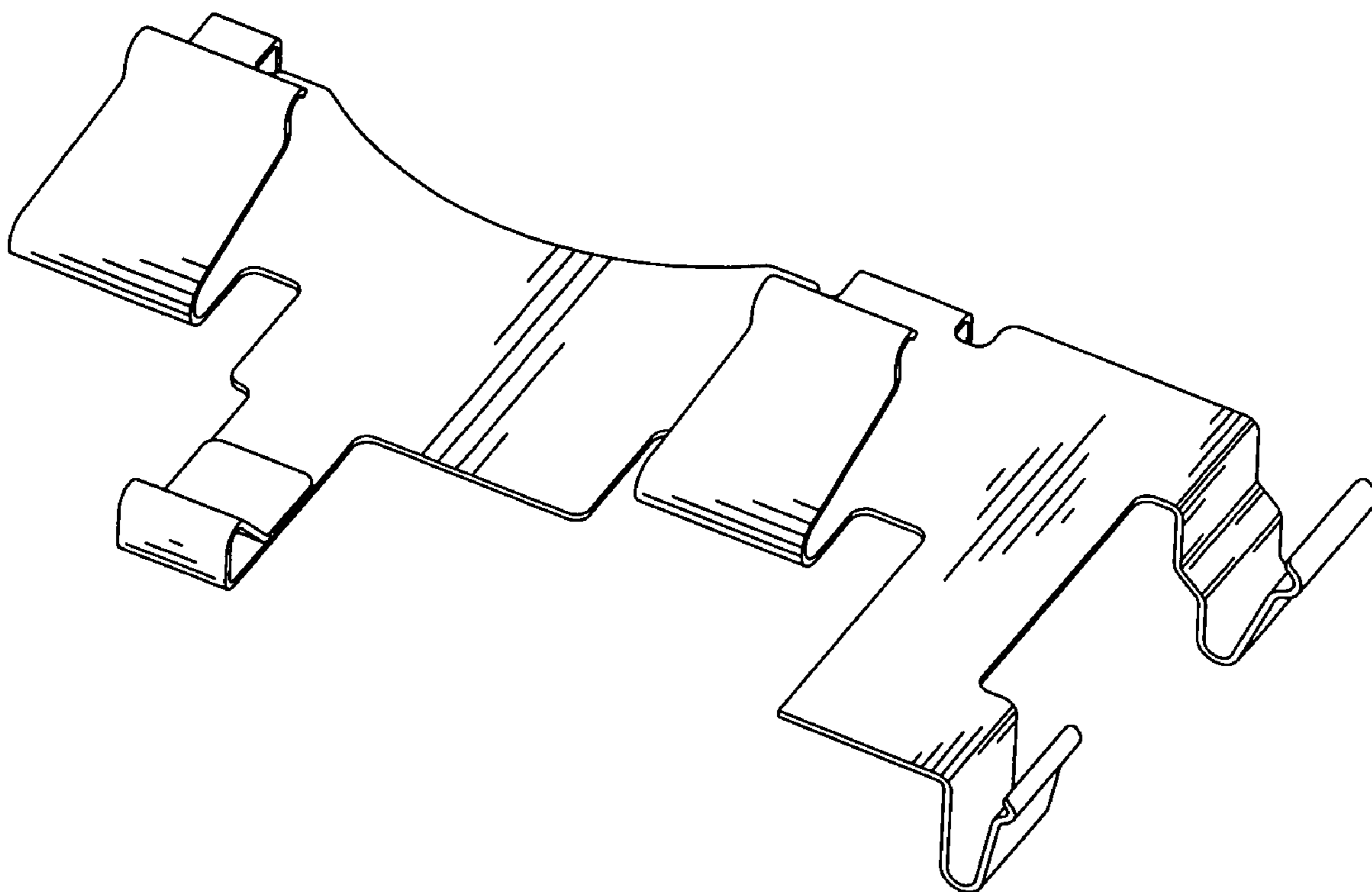
FIG. 4 is a left side elevational view thereof;

FIG. 5 is a right side elevational view thereof;

FIG. 6 is a top plan view thereof; and,

FIG. 7 is a bottom plan view thereof.

1 Claim, 7 Drawing Sheets



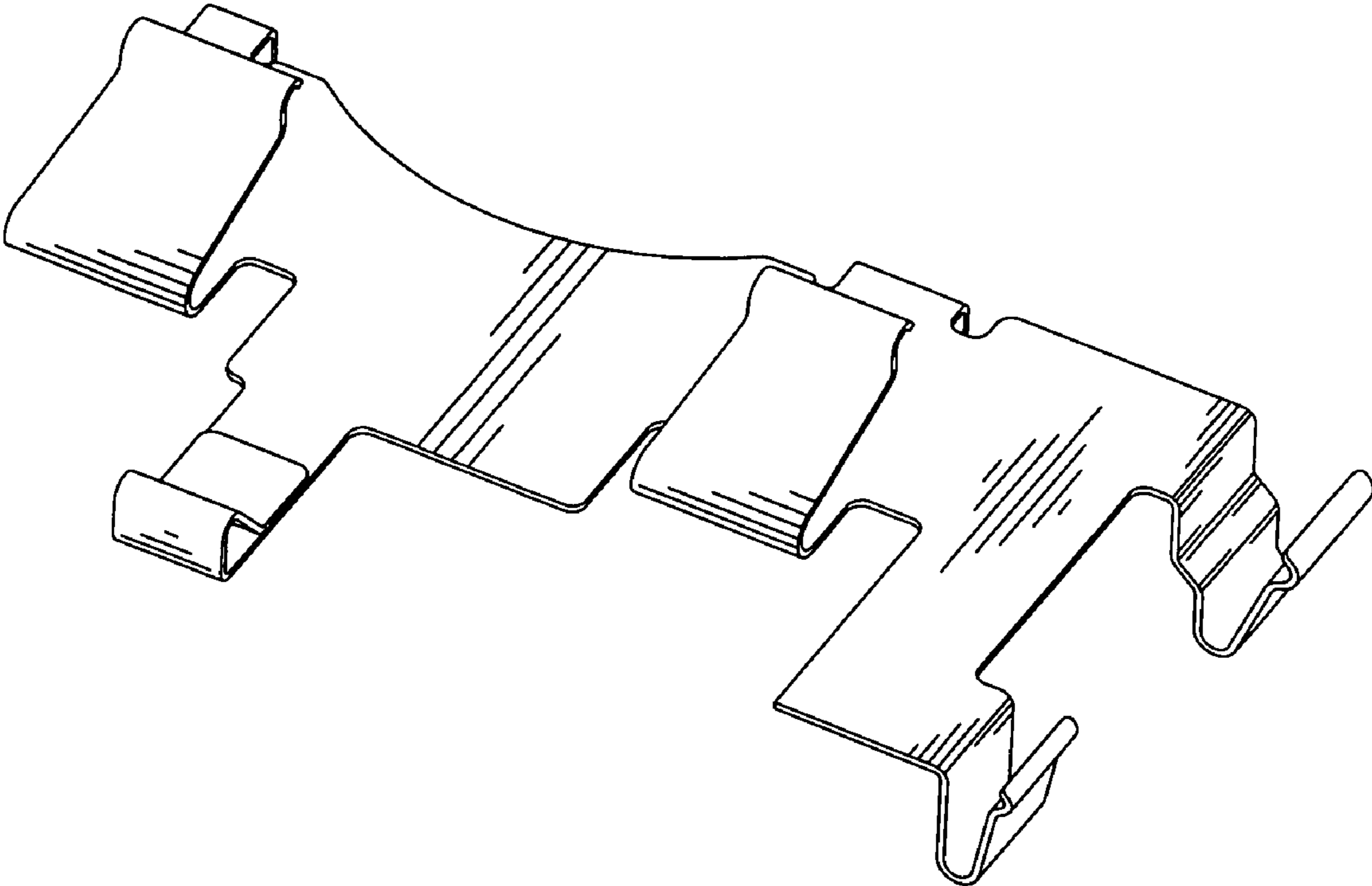


FIG. 1

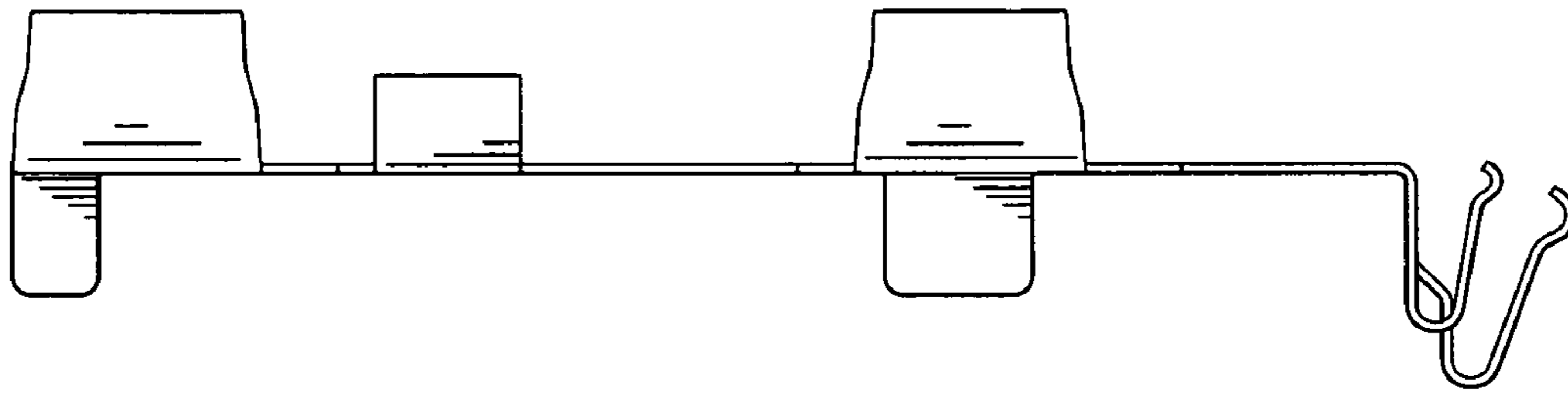


FIG. 2

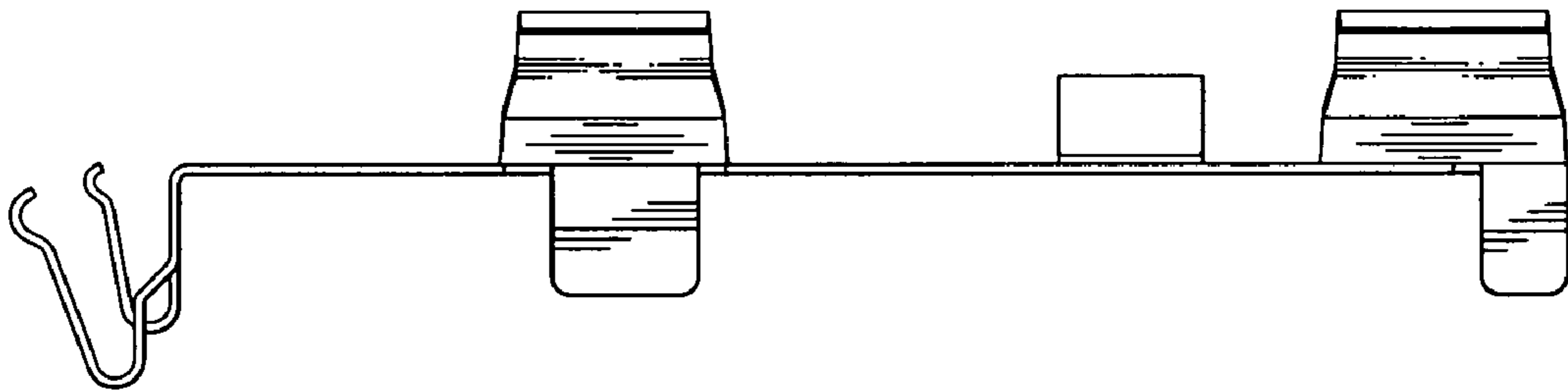


FIG. 3

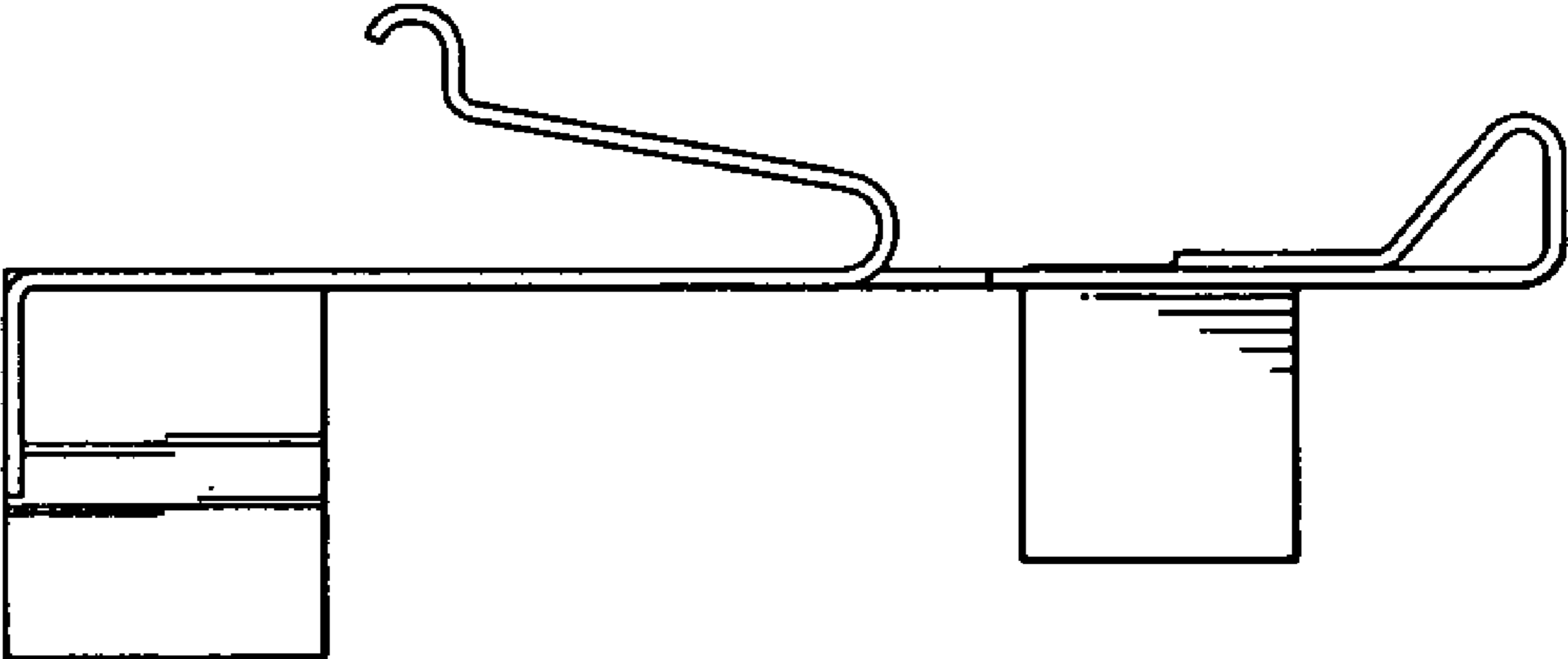


FIG. 4

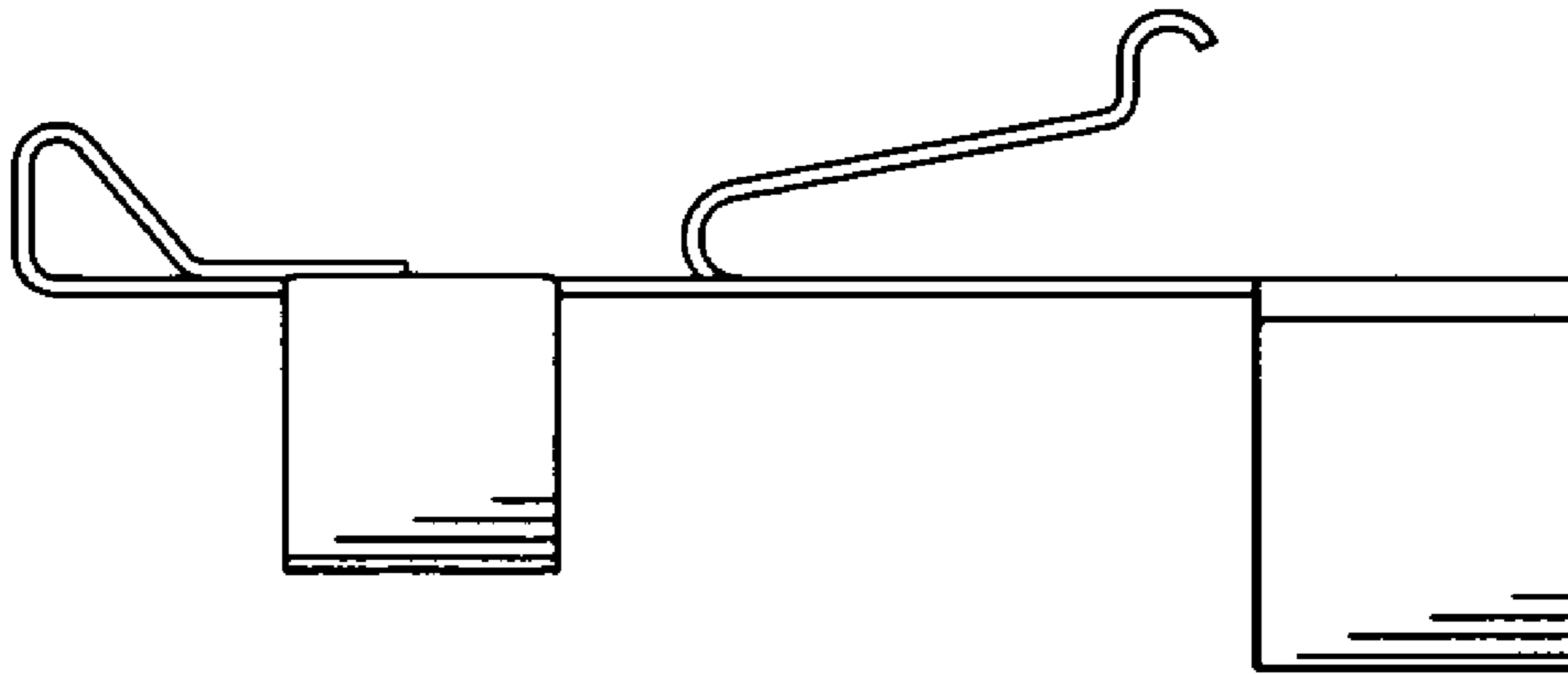


FIG. 5

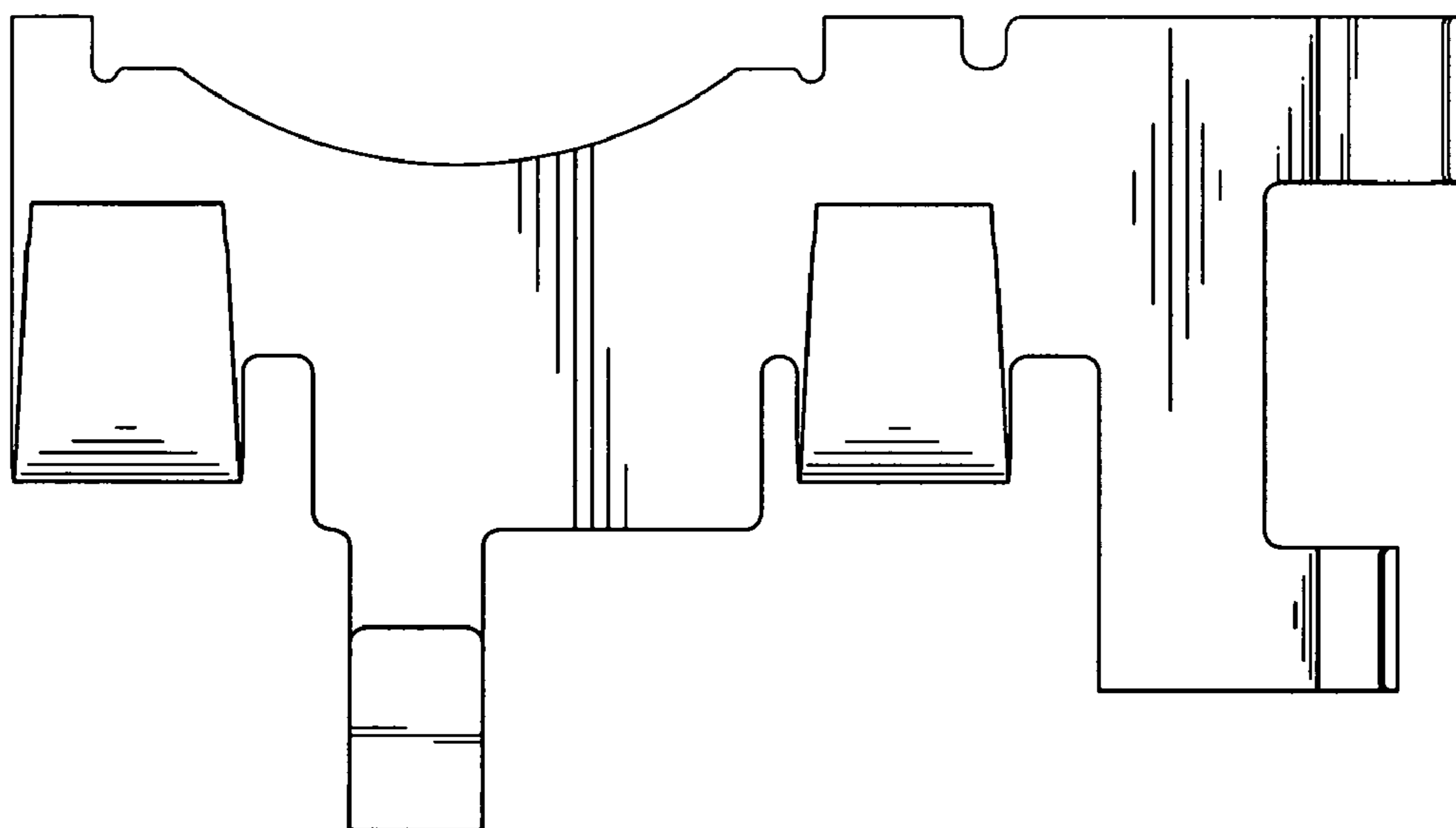


FIG. 6

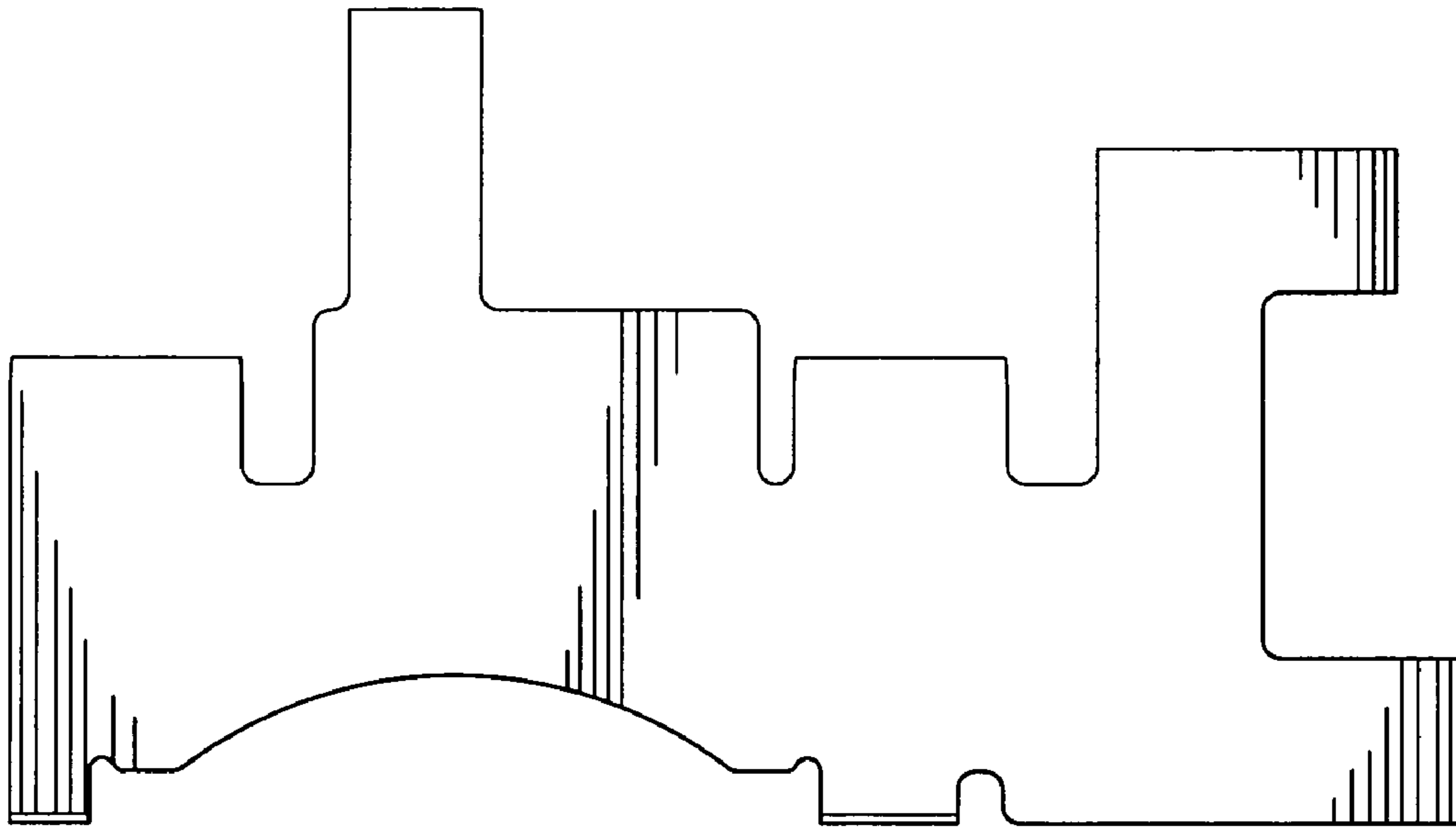


FIG. 7