



US00D589895S

(12) **United States Design Patent**
Yuan et al.

(10) **Patent No.:** **US D589,895 S**
(45) **Date of Patent:** **** Apr. 7, 2009**

(54) **FPC CONNECTOR**

(75) Inventors: **Sheng Tsung Yuan**, Tu-Cheng (TW);
Yung Chi Peng, Tu-Cheng (TW)

(73) Assignee: **Cheng Uei Precision Industry Co., Ltd.**, Taipei Hsien (TW)

(**) Term: **14 Years**

(21) Appl. No.: **29/309,271**

(22) Filed: **Jul. 17, 2008**

(51) **LOC (9) Cl.** **13-03**

(52) **U.S. Cl.** **D13/147**

(58) **Field of Classification Search** D13/146-147,
D13/154, 184; D14/432-433, 435, 438;
439/79, 108, 291, 626, 629, 607-610
See application file for complete search history.

(56) **References Cited**

U.S. PATENT DOCUMENTS

D502,686 S *	3/2005	Chiu et al.	D13/147
D517,494 S *	3/2006	Ikenaga et al.	D13/147
D526,617 S *	8/2006	Yamane et al.	D13/147
D529,869 S *	10/2006	Lee et al.	D13/147

D543,507 S * 5/2007 Peng D13/147
2006/0105622 A1 * 5/2006 Nakano et al. 439/495

* cited by examiner

Primary Examiner—Daniel D Bui

(74) *Attorney, Agent, or Firm*—Rosenberg, Klein & Lee

(57) **CLAIM**

The ornamental design for a FPC connector, as shown and described.

DESCRIPTION

FIG. 1 is a perspective view of a FPC connector showing our new design;

FIG. 2 is a front elevational view thereof;

FIG. 3 is a rear elevational view thereof;

FIG. 4 is a left side elevational view thereof;

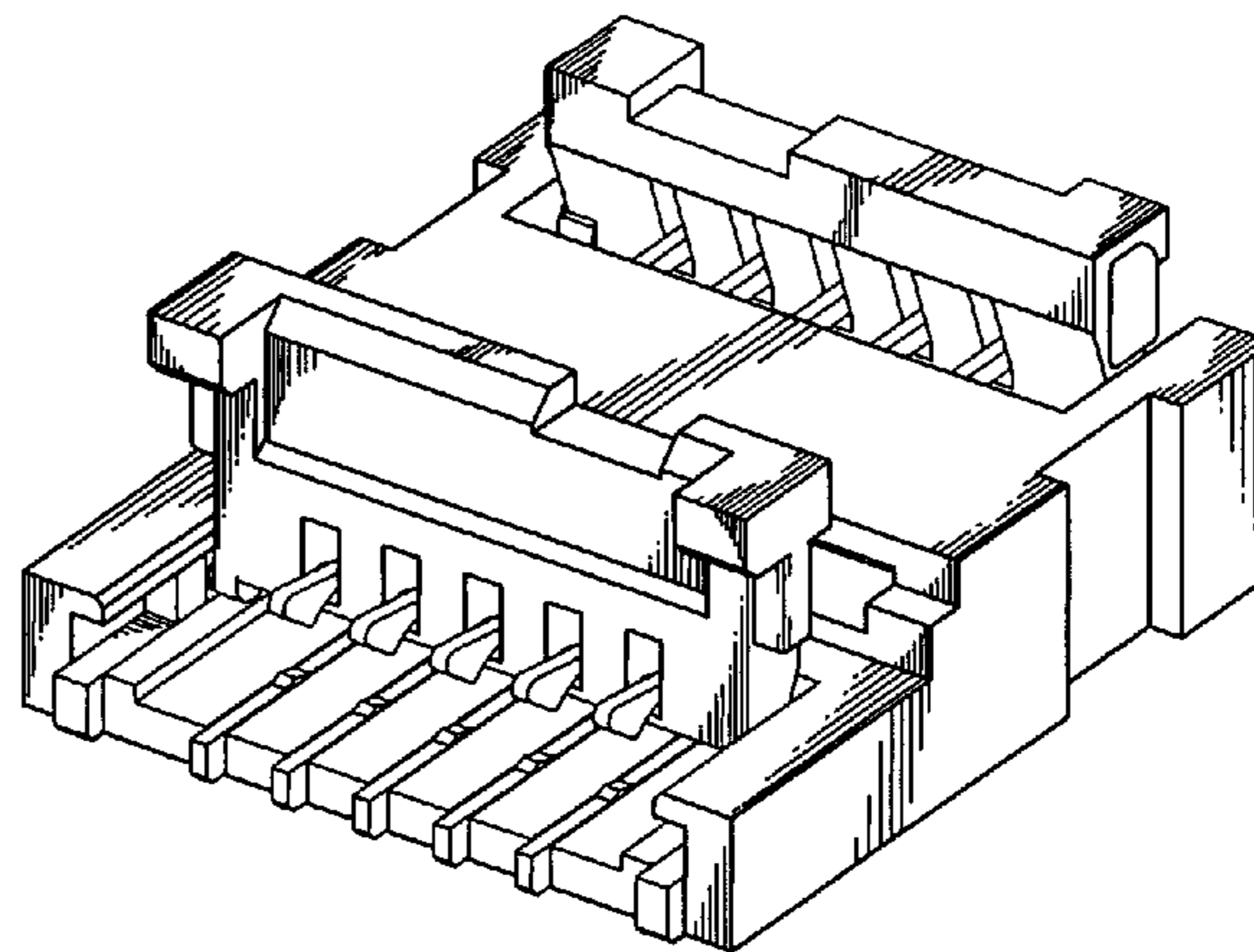
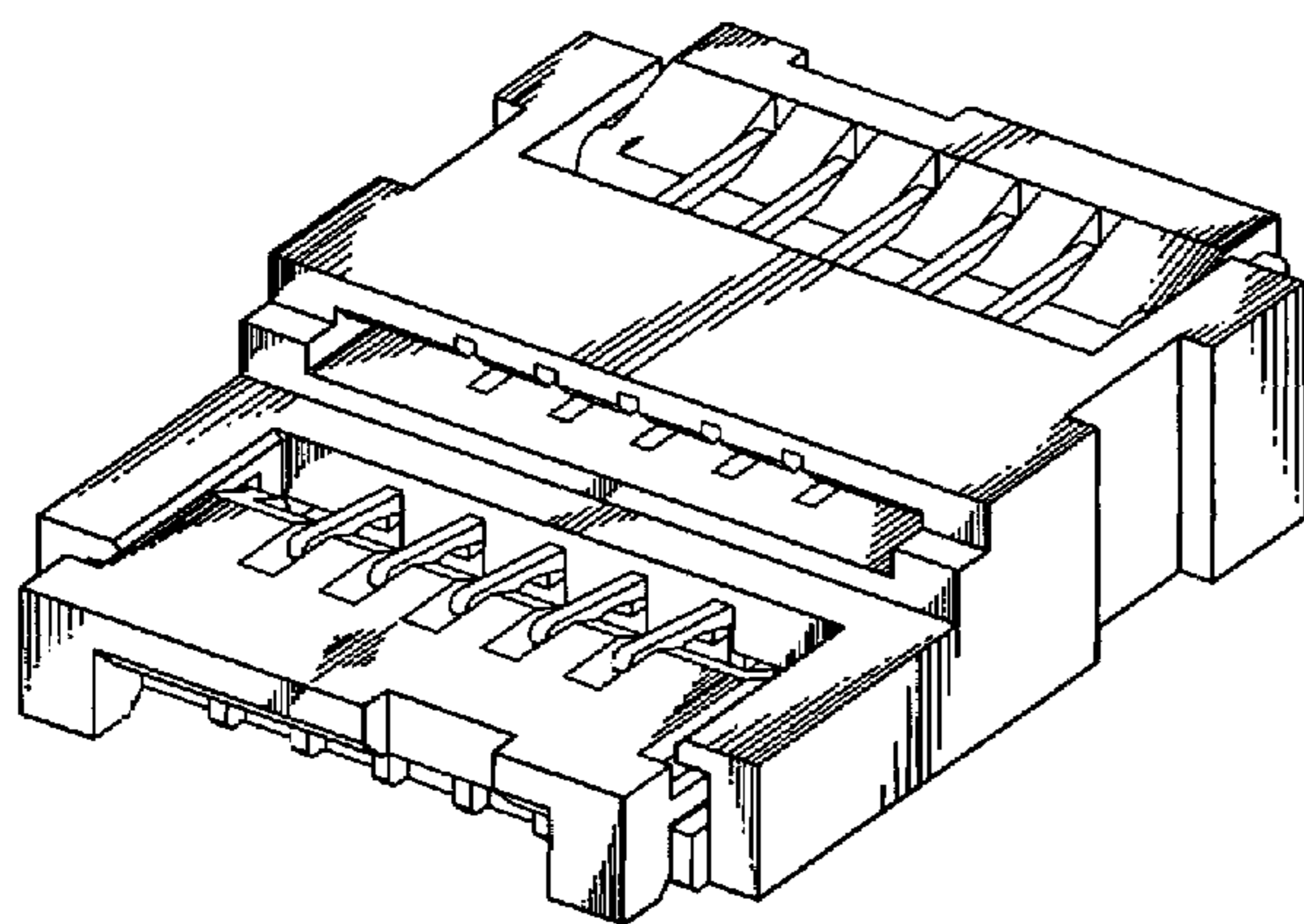
FIG. 5 is a right side elevational view thereof;

FIG. 6 is a top plan view thereof;

FIG. 7 is a bottom plan view thereof; and,

FIG. 8 is a perspective view showing the FPC connector in a using state.

1 Claim, 8 Drawing Sheets



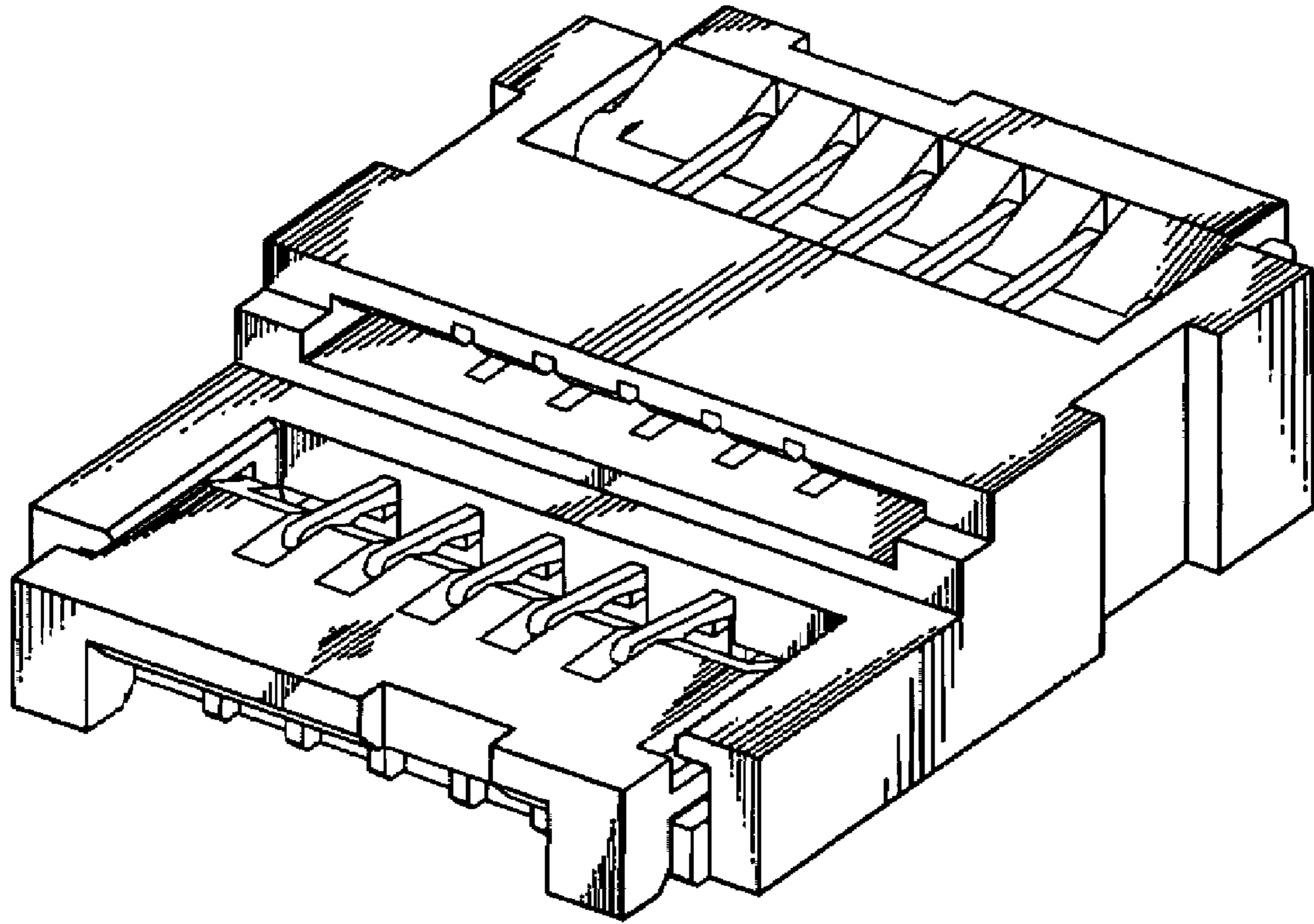


FIG. 1

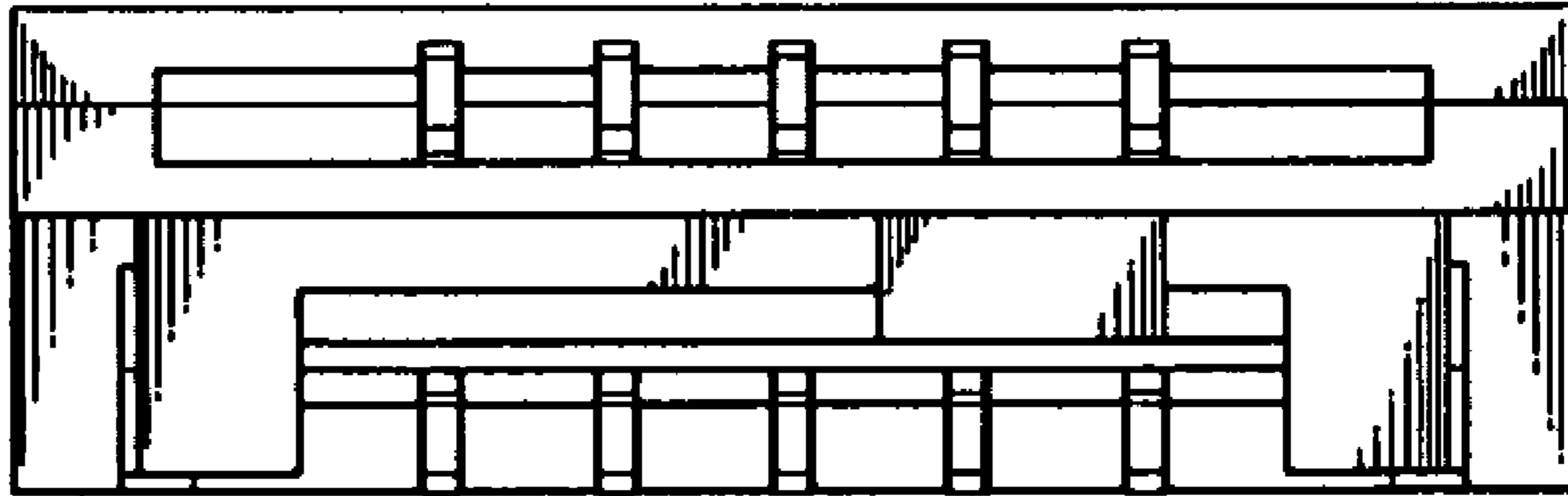


FIG. 2

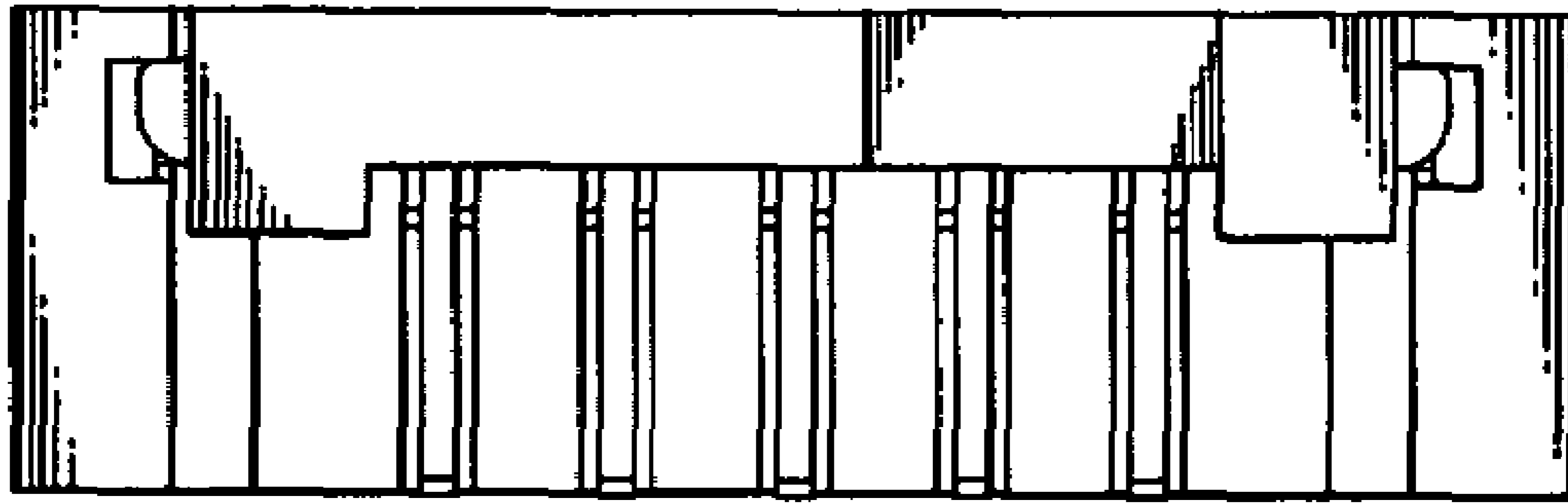


FIG. 3

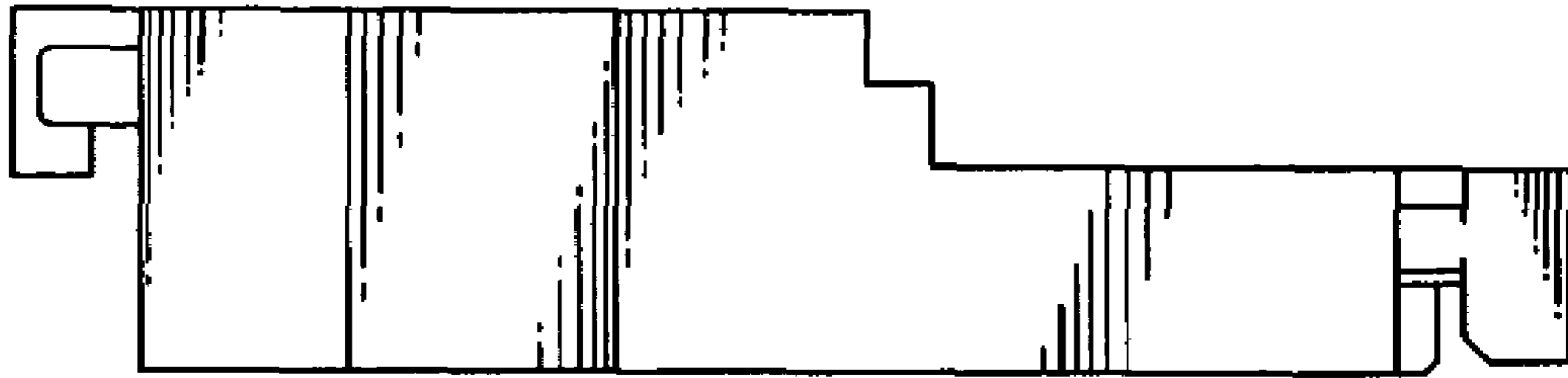


FIG. 4

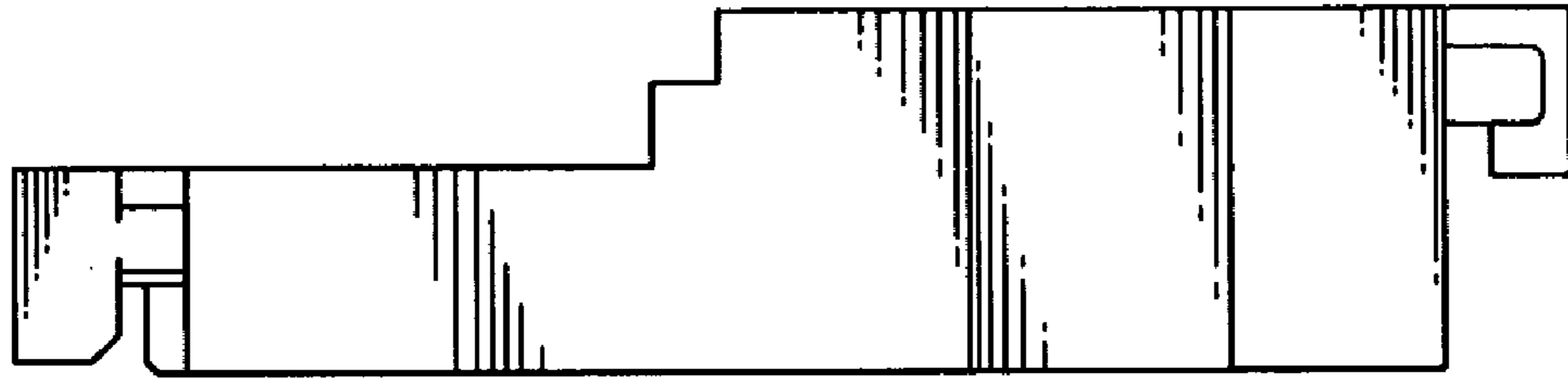


FIG. 5

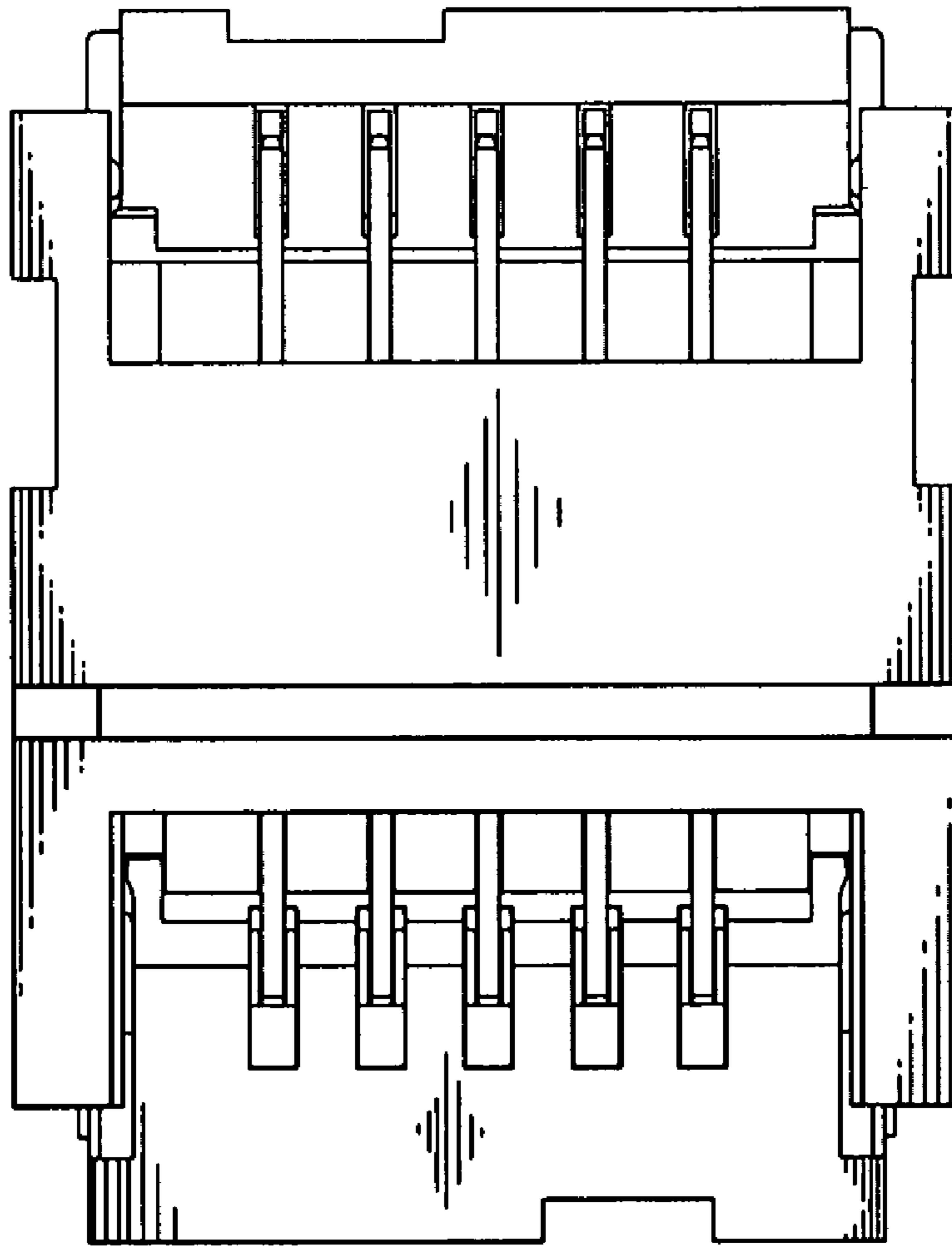


FIG. 6

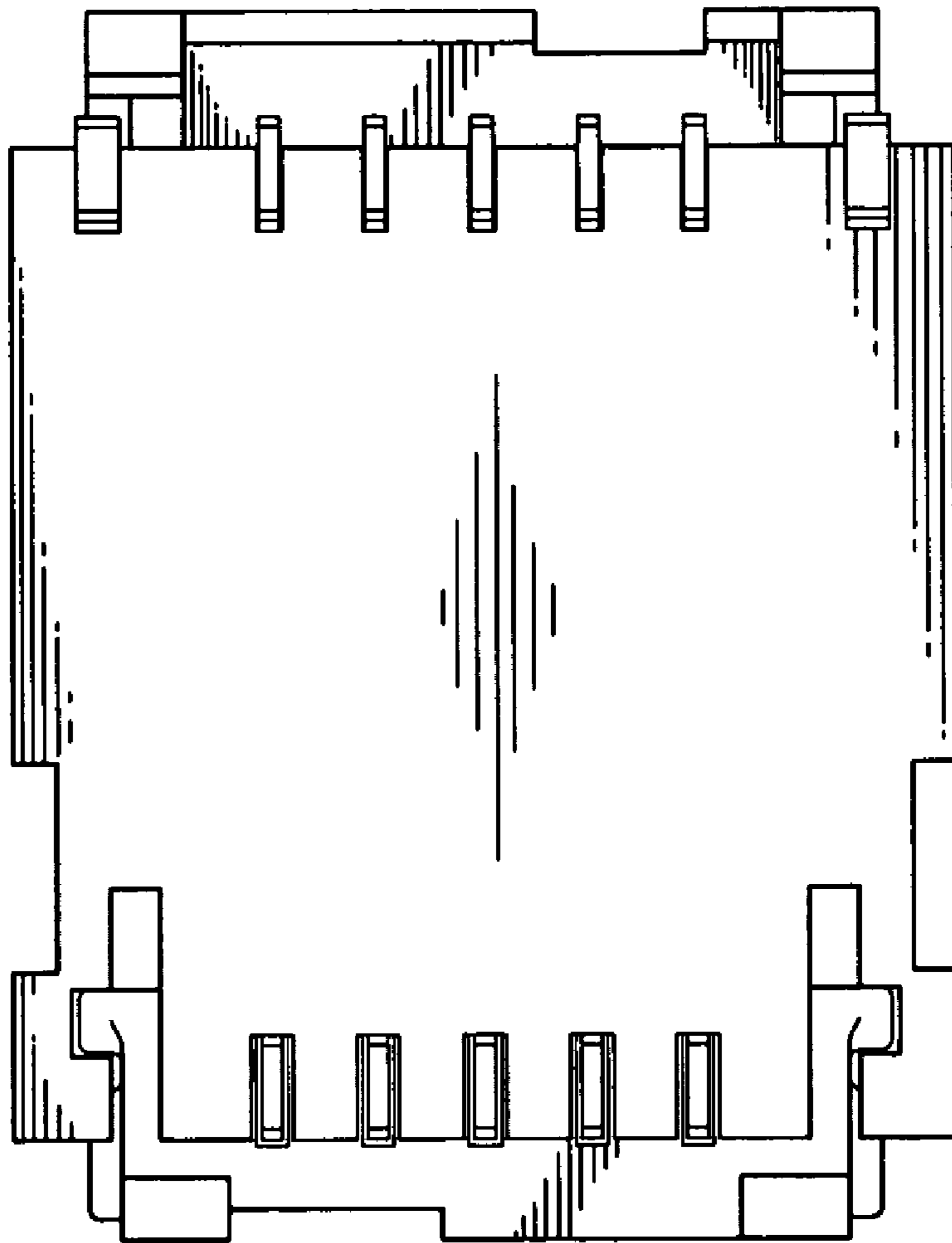


FIG. 7

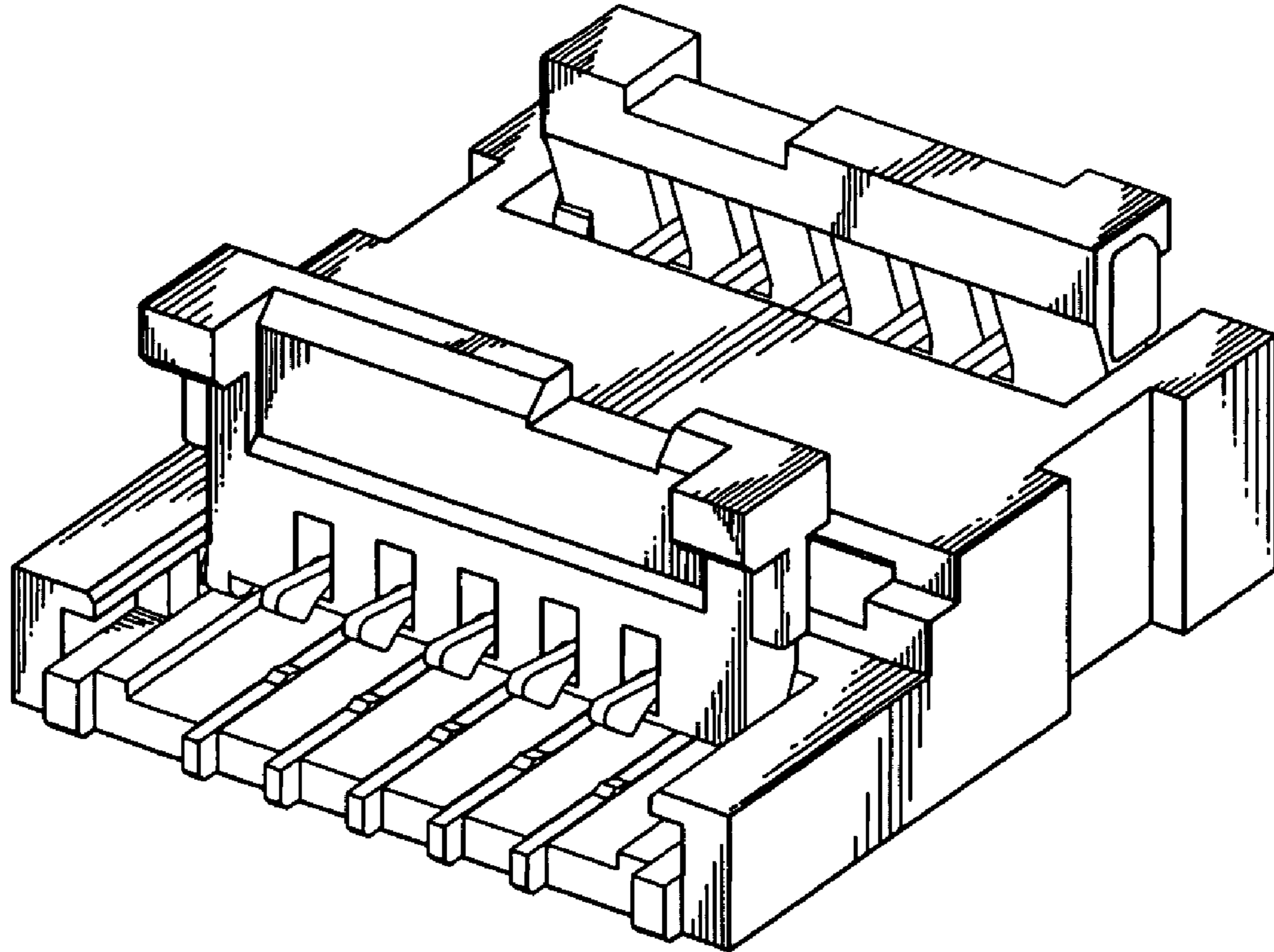


FIG. 8