



US00D589889S

(12) **United States Design Patent**
Wu et al.

(10) **Patent No.:** **US D589,889 S**

(45) **Date of Patent:** **** Apr. 7, 2009**

(54) **ELECTRICAL ADAPTER**

(75) Inventors: **Xiao-Gang Wu**, Kunshan (CN);
Ping-Sheng Su, Tu-Cheng (TW)

(73) Assignee: **Hon Hai Precision Ind. Co., Ltd.**,
Taipei Hsien (TW)

(**) Term: **14 Years**

(21) Appl. No.: **29/308,199**

(22) Filed: **Jun. 2, 2008**

(30) **Foreign Application Priority Data**

Dec. 6, 2007 (CN) 2007 3 0198814

(51) **LOC (9) Cl.** **13-03**

(52) **U.S. Cl.** **D13/147; D13/133**

(58) **Field of Classification Search** D13/110,
D13/123, 133, 146-147, 154, 184; D14/432,
D14/433, 435; 439/350, 352, 357-359, 362,
439/607-610, 660, 677, 680-682, 936

See application file for complete search history.

(56) **References Cited**

U.S. PATENT DOCUMENTS

D479,200 S * 9/2003 Liu et al. D13/147
D491,896 S * 6/2004 Yang et al. D13/147
D520,456 S * 5/2006 Kuo D13/147
D522,463 S * 6/2006 Novotney et al. D13/154

D525,206 S * 7/2006 Cheng et al. D13/147
2005/0124227 A1 * 6/2005 Liu et al. 439/680

* cited by examiner

Primary Examiner—Daniel D Bui

(74) *Attorney, Agent, or Firm*—Wei Te Chung

(57) **CLAIM**

The ornamental design for an electrical adapter, as shown described.

DESCRIPTION

FIG. 1 is a front, top and left side perspective view of an electrical adapter, showing our new design;

FIG. 2 is a front elevation view thereof;

FIG. 3 is a rear elevation view thereof;

FIG. 4 is a left side elevation view thereof;

FIG. 5 is a right side elevation view thereof;

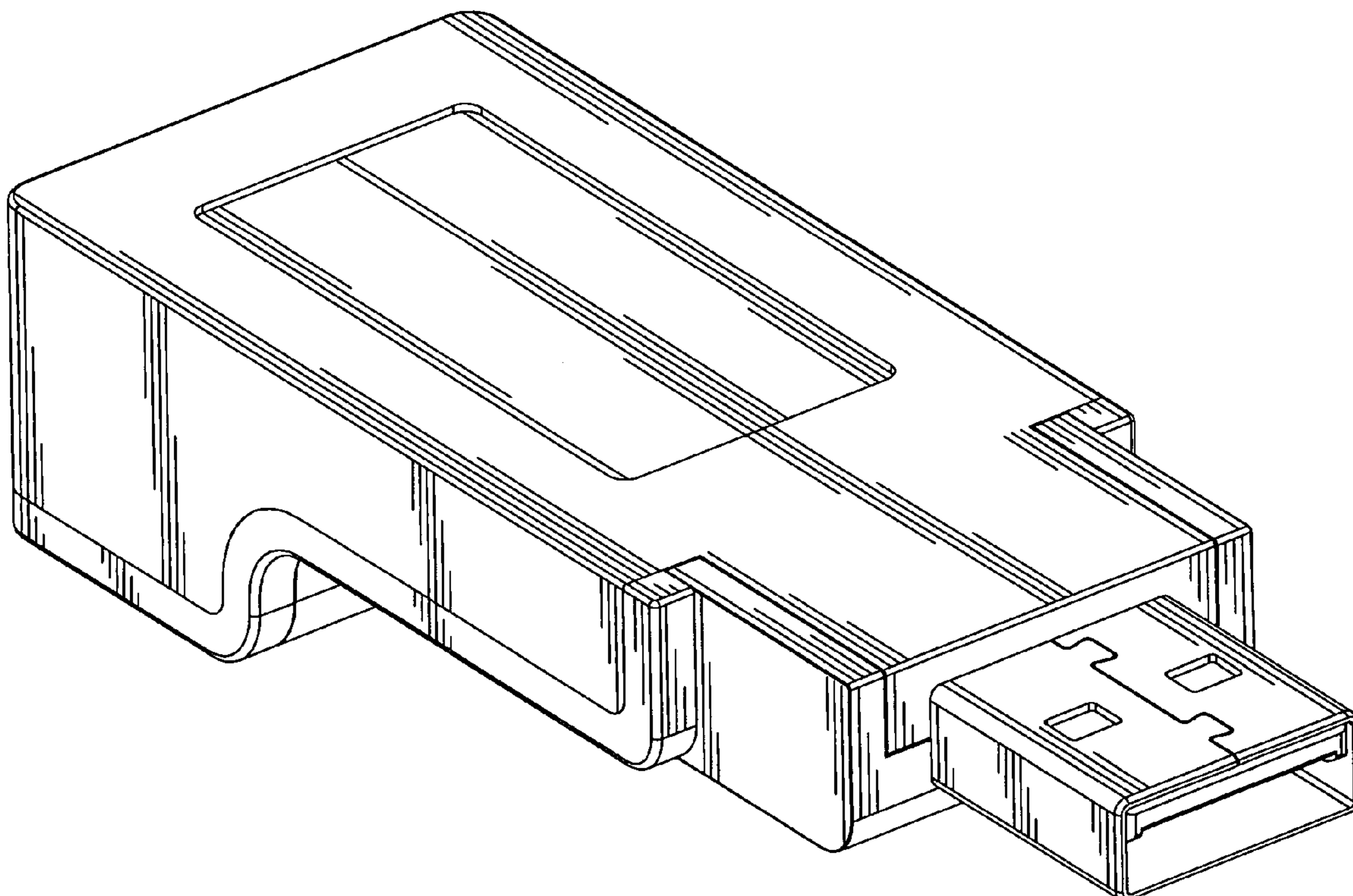
FIG. 6 is a top plan view thereof;

FIG. 7 is a bottom plan view thereof; and,

FIG. 8 a front, bottom and left side perspective view of an electrical adapter, showing our new design; and,

FIG. 9 is a front, top and right side perspective view illustrating the electrical adapter coupled with a cap, which is for illustration purpose only and form no part of the claimed design.

1 Claim, 8 Drawing Sheets



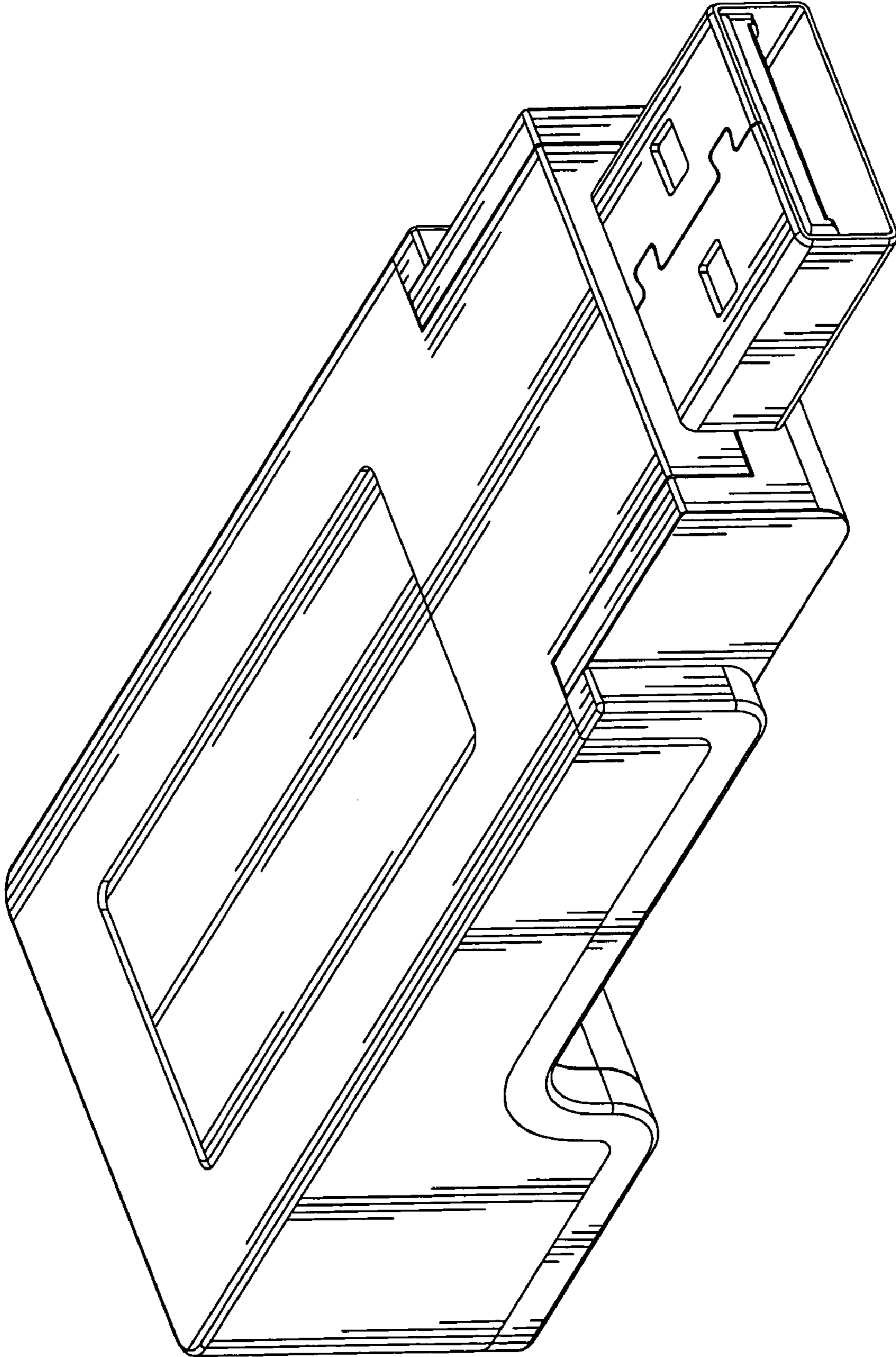


FIG. 1

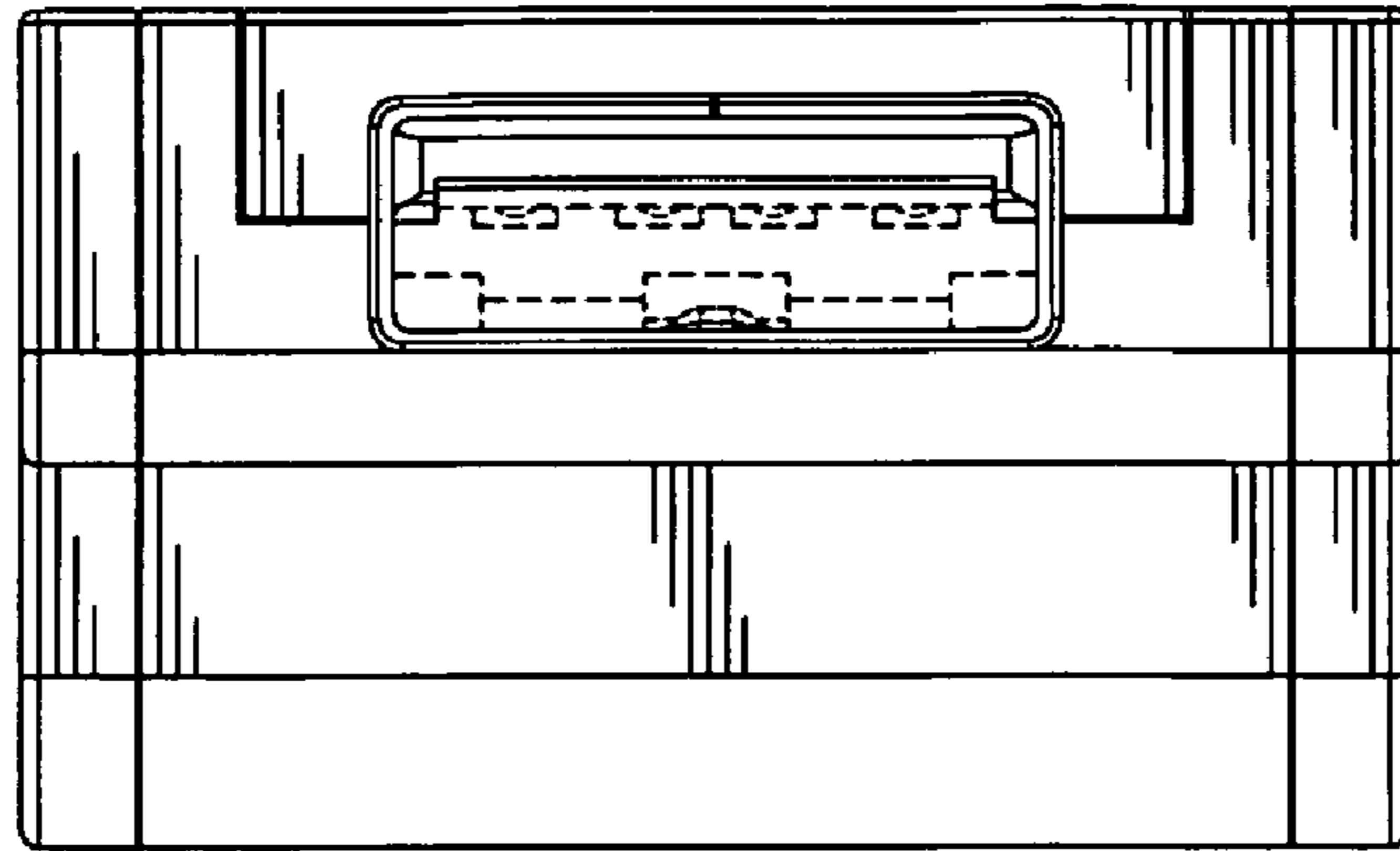


FIG. 2

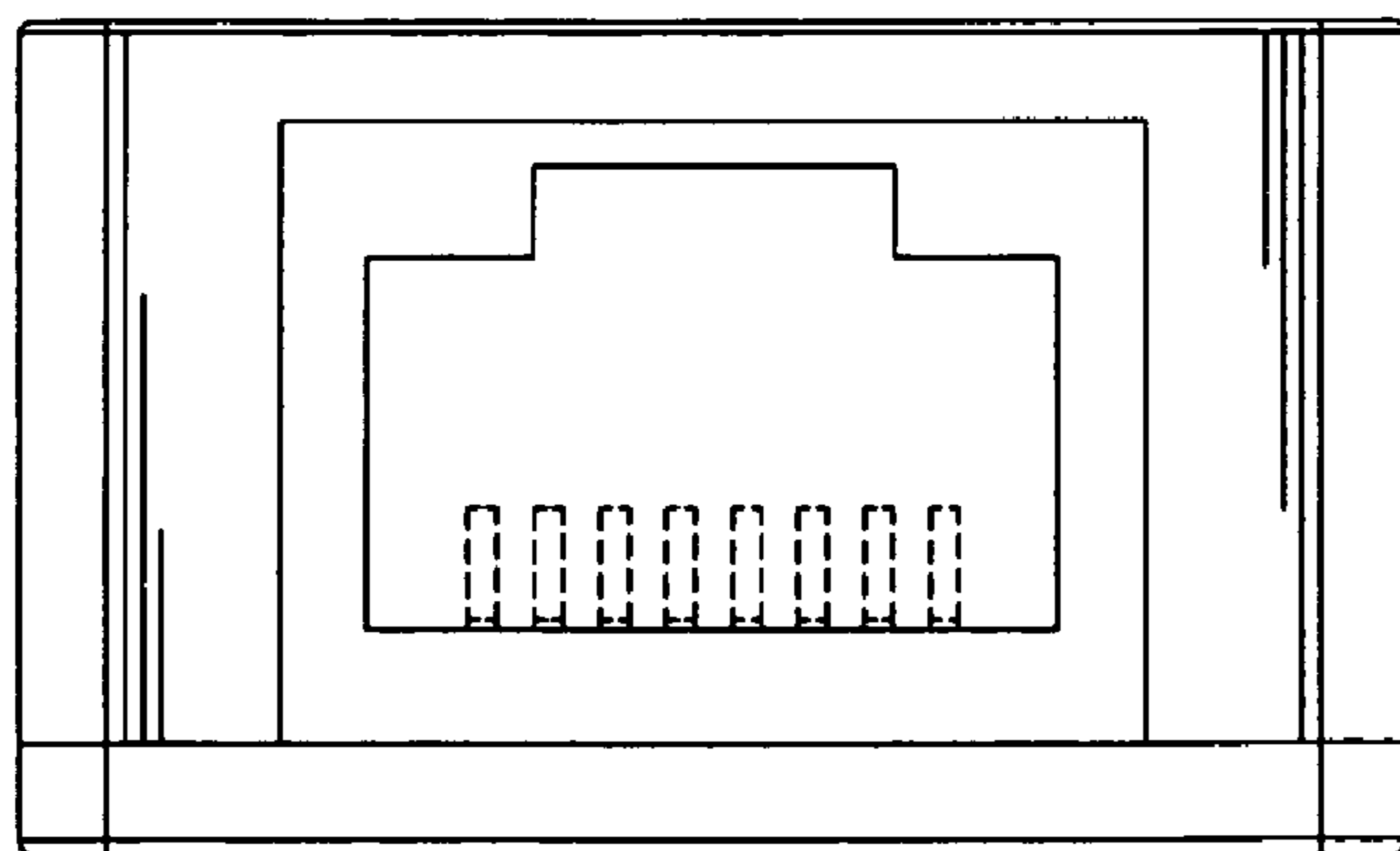


FIG. 3

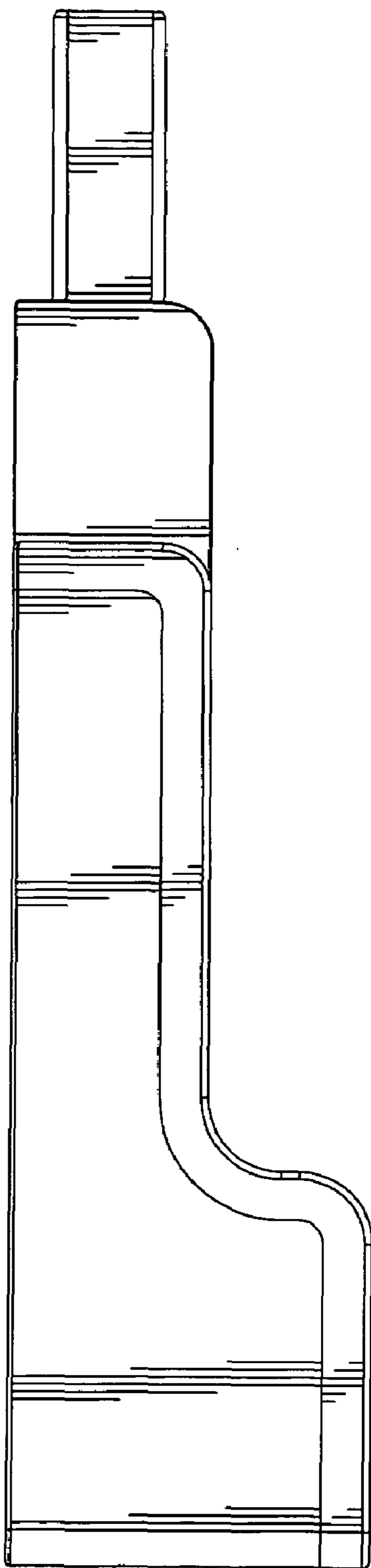


FIG. 4

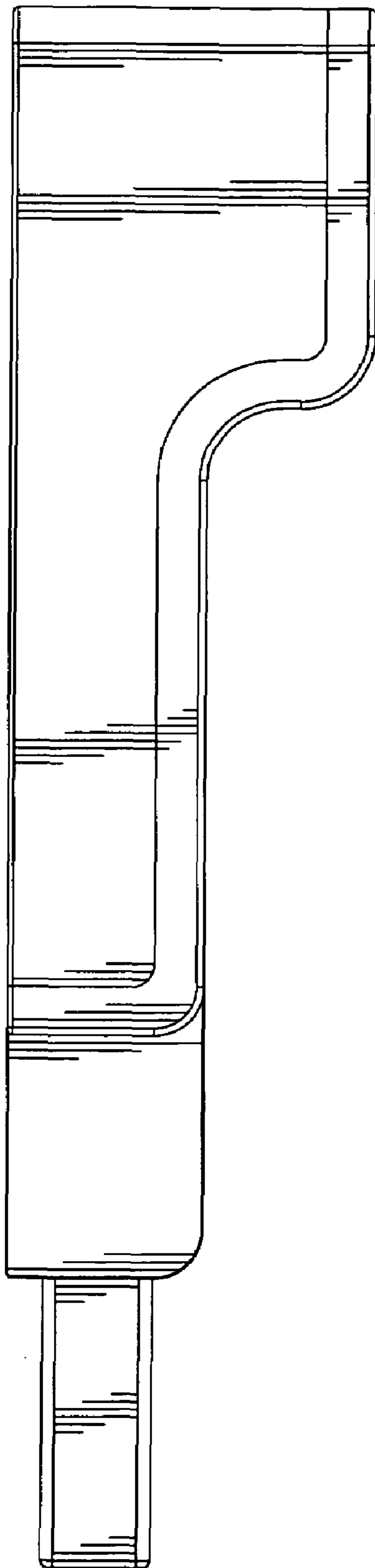


FIG. 5

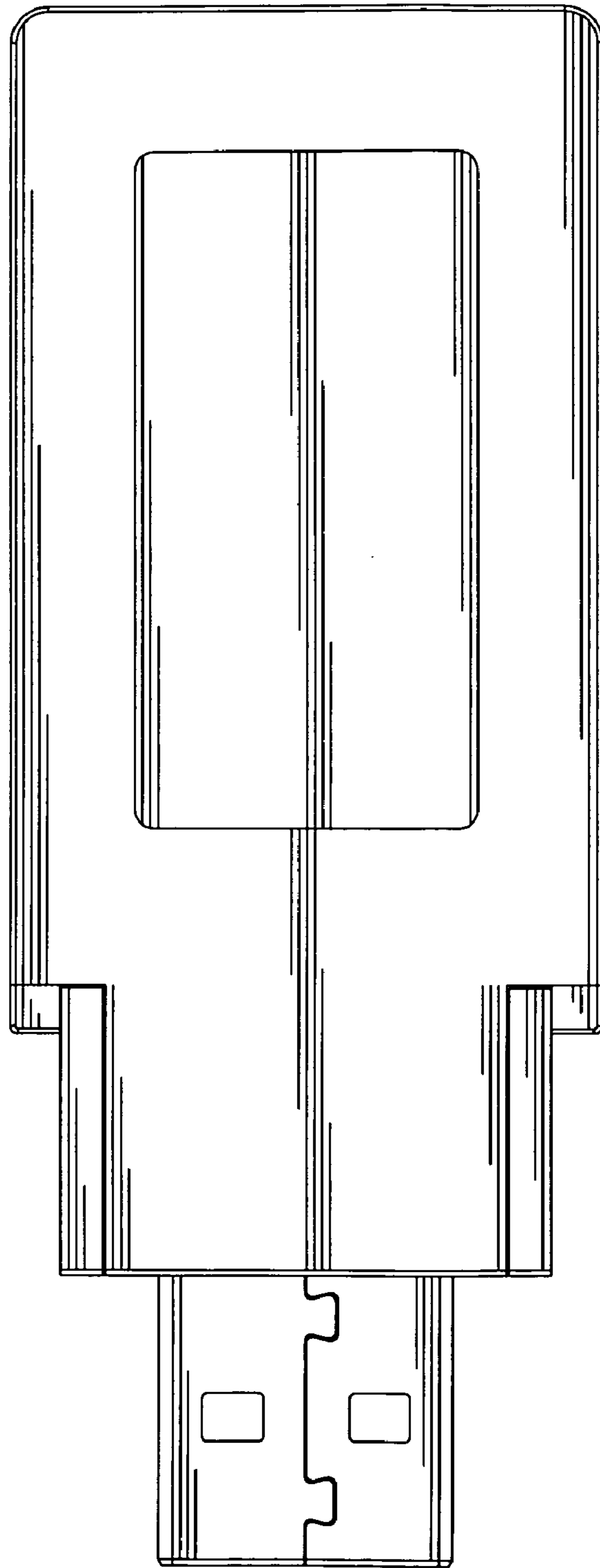


FIG. 6

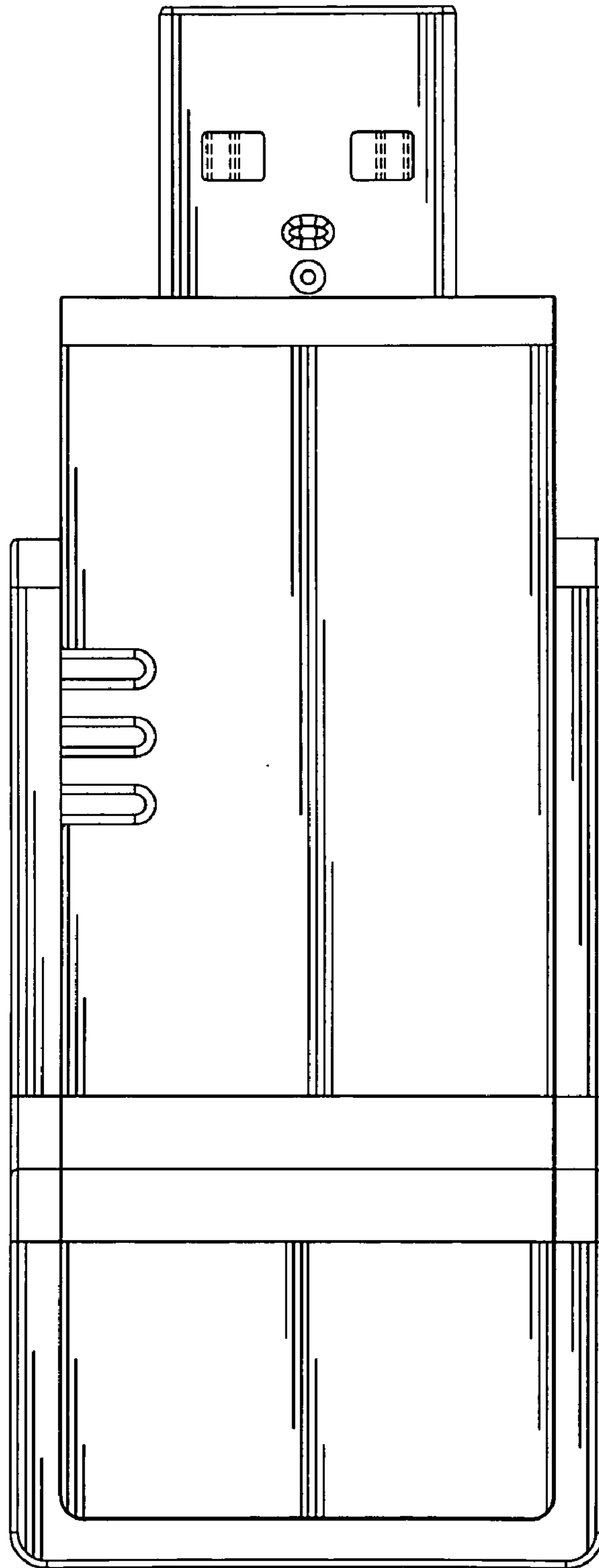


FIG. 7

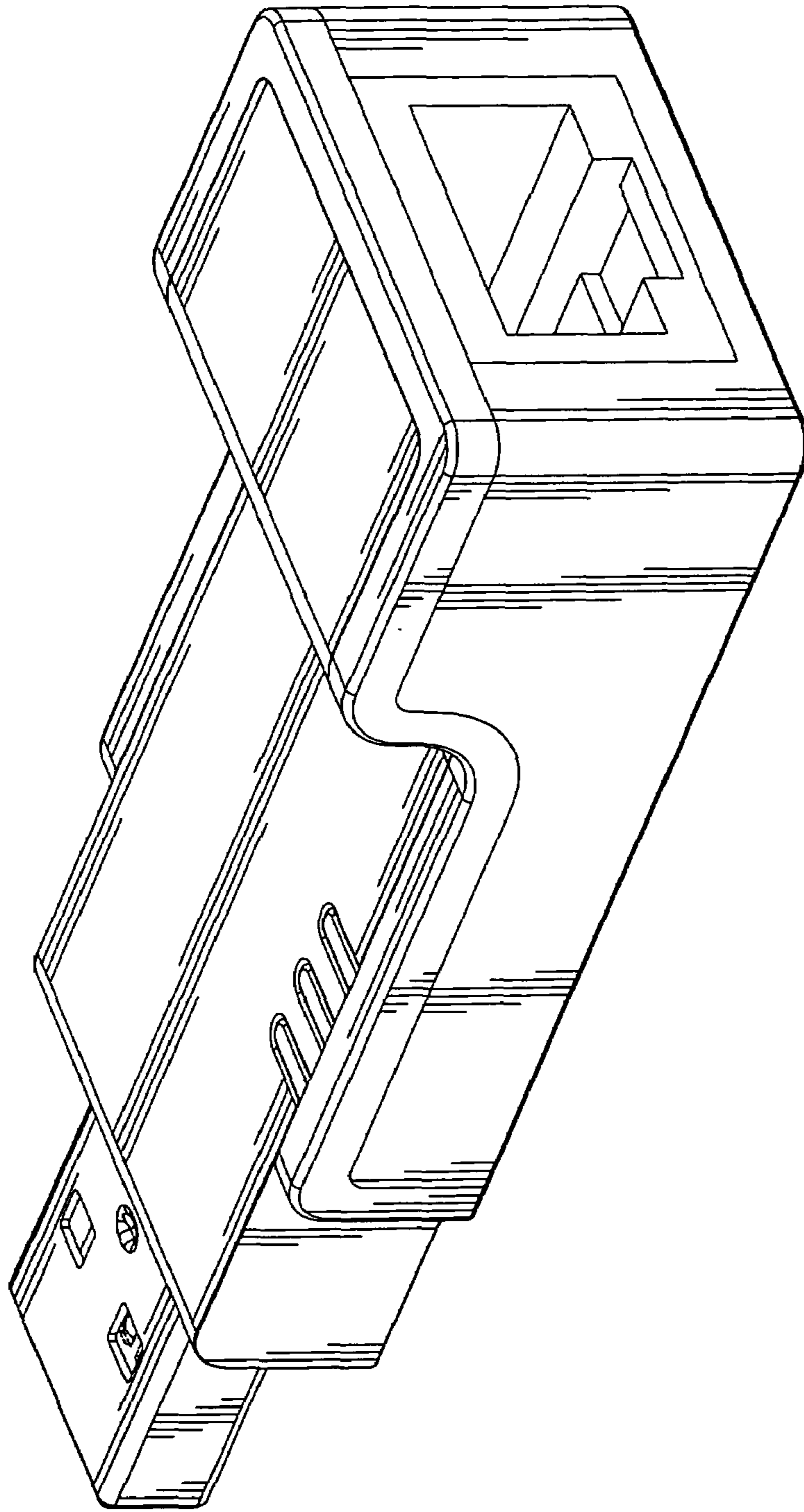


FIG. 8

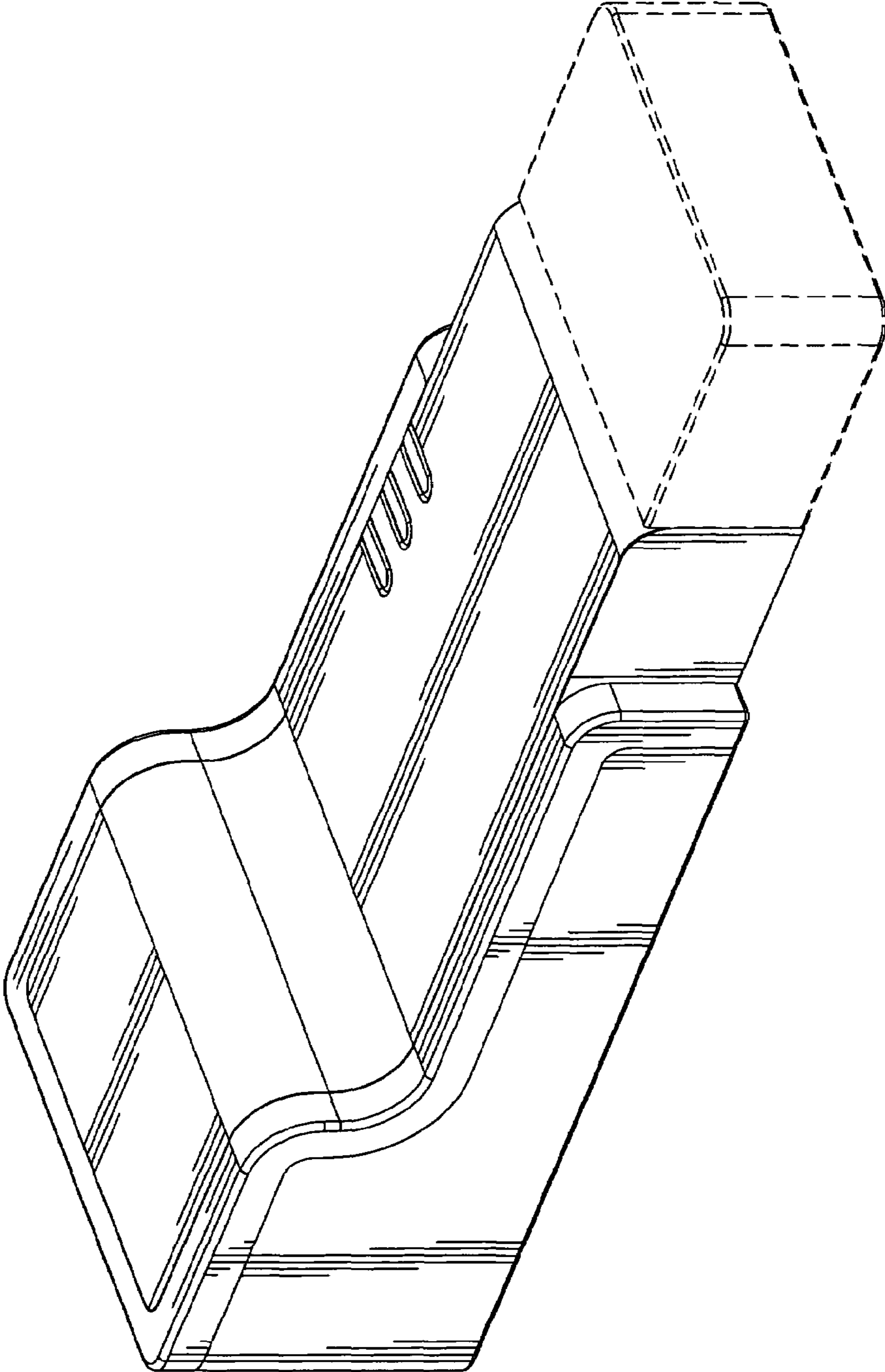


FIG. 9