



US00D589888S

(12) **United States Design Patent**
Wu et al.

(10) **Patent No.:** **US D589,888 S**

(45) **Date of Patent:** **** Apr. 7, 2009**

(54) **ELECTRICAL ADAPTER**

(75) Inventors: **Xiao-Gang Wu**, Kunshan (CN);
Ping-Sheng Su, Tu-Cheng (TW)

(73) Assignee: **Hon Hai Precision Ind. Co., Ltd.**,
Taipei Hsien (TW)

(**) Term: **14 Years**

(21) Appl. No.: **29/308,198**

(22) Filed: **Jun. 2, 2008**

(30) **Foreign Application Priority Data**

Dec. 3, 2007 (CN) 2007 3 0198626

(51) **LOC (9) Cl.** **13-03**

(52) **U.S. Cl.** **D13/147**

(58) **Field of Classification Search** D13/110,
D13/123, 133, 146-147, 154, 184; D14/432,
D14/433, 435; 439/350, 352, 357-359, 362,
439/607-610, 660, 677, 680-682, 936

See application file for complete search history.

(56) **References Cited**

U.S. PATENT DOCUMENTS

D454,130 S * 3/2002 Do et al. D14/433

D484,137 S * 12/2003 Wikel et al. D14/433

D491,894 S * 6/2004 Jiang D13/147
D500,986 S * 1/2005 Li D13/147
D522,463 S * 6/2006 Novotney et al. D13/154
D564,447 S * 3/2008 Lee et al. D13/110

* cited by examiner

Primary Examiner—Daniel D Bui

(74) *Attorney, Agent, or Firm*—Wei Te Chung

(57) **CLAIM**

The ornamental design for an electrical adapter, as shown described.

DESCRIPTION

FIG. 1 is a front, top and right side perspective view of an electrical adapter, showing our new design;

FIG. 2 is a front elevation view thereof;

FIG. 3 is a rear elevation view thereof;

FIG. 4 is a left side elevation view thereof;

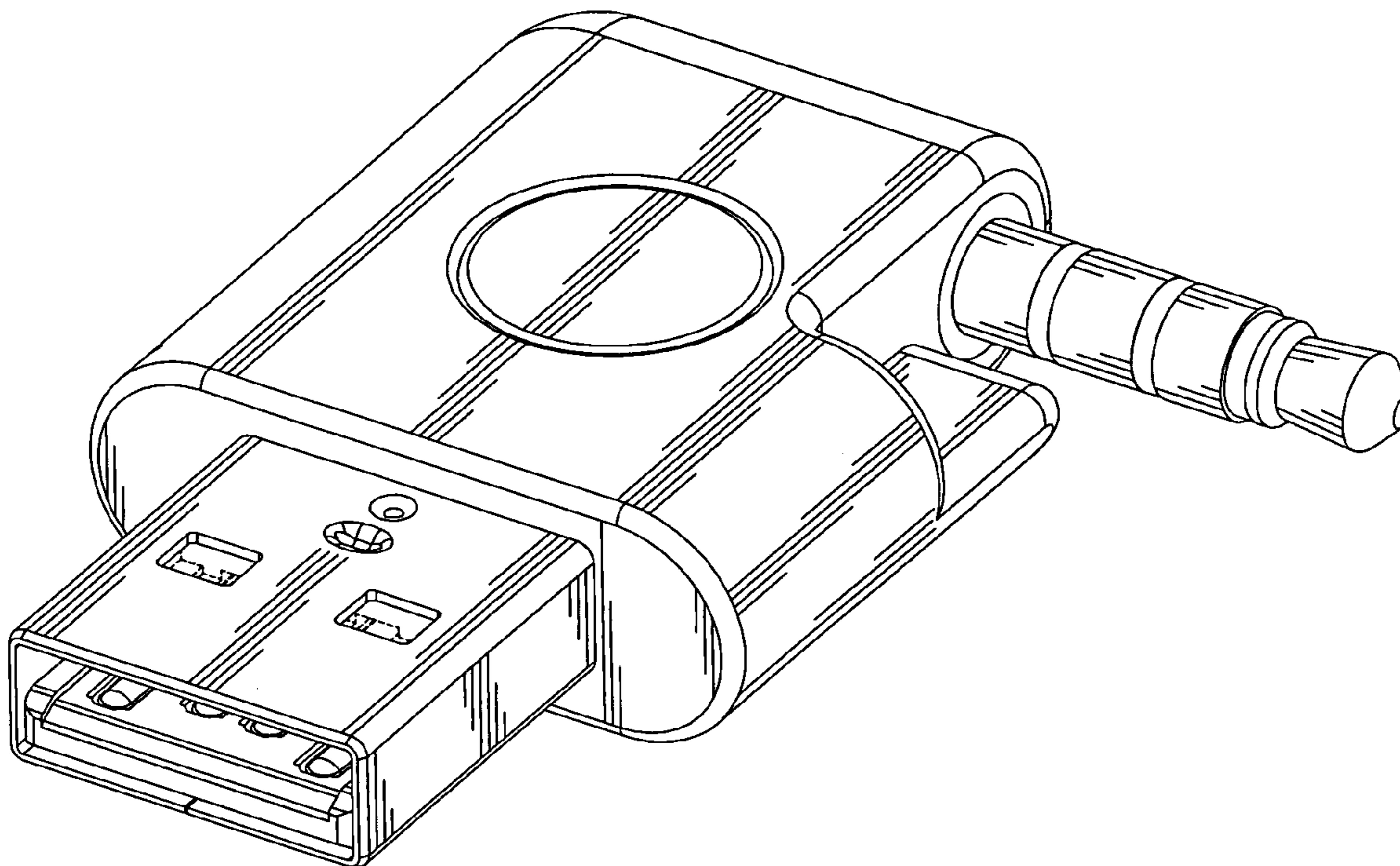
FIG. 5 is a right side elevation view thereof;

FIG. 6 is a top plan view thereof; and,

FIG. 7 is a bottom plan view thereof.

The broken line of internal elements of the connector in FIGS. 1 and 2 is included to show unclaimed subject matter only and forms no part of the claimed design.

1 Claim, 7 Drawing Sheets



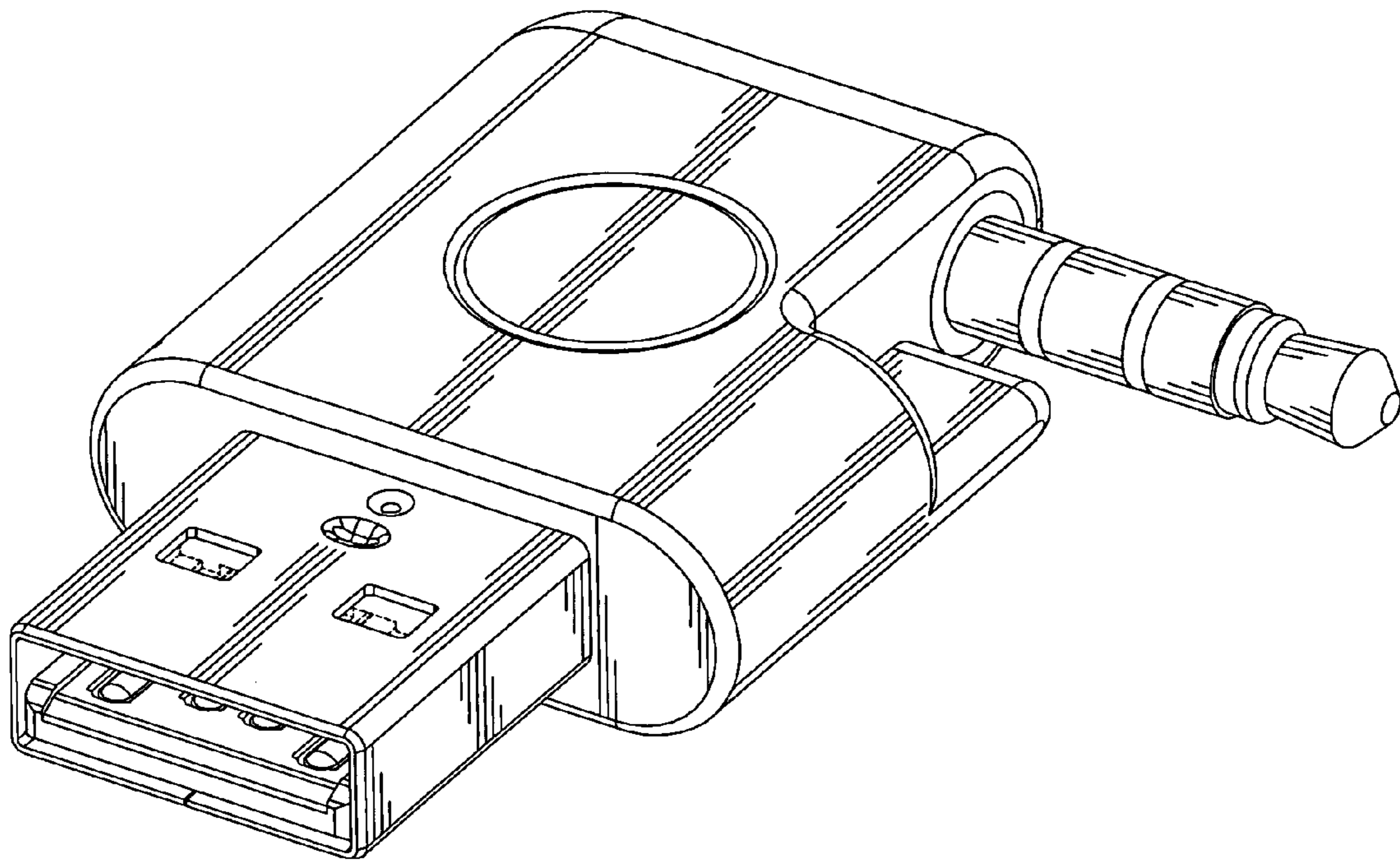


FIG. 1

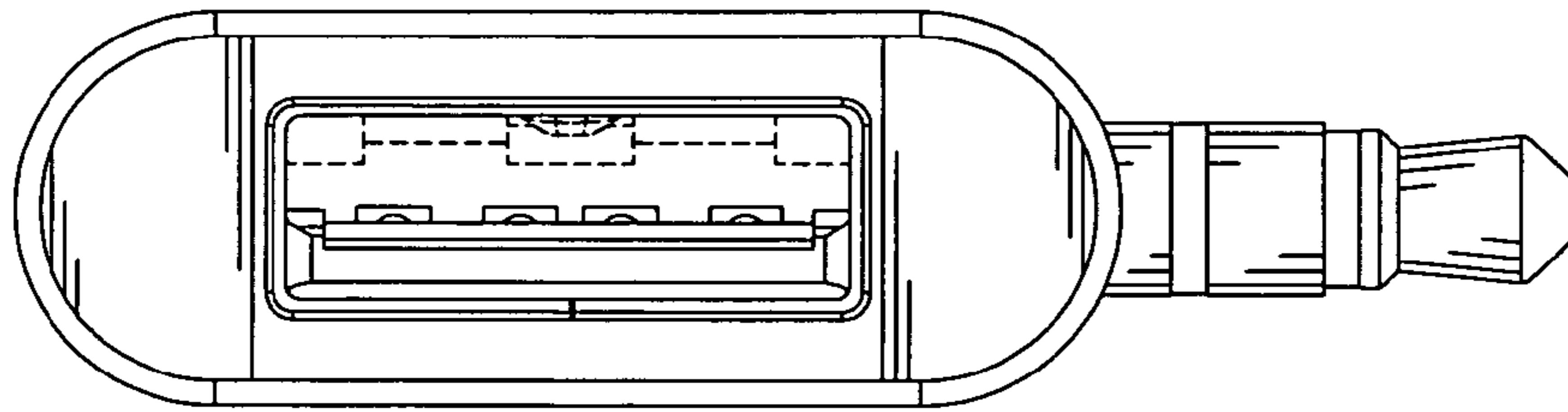


FIG. 2

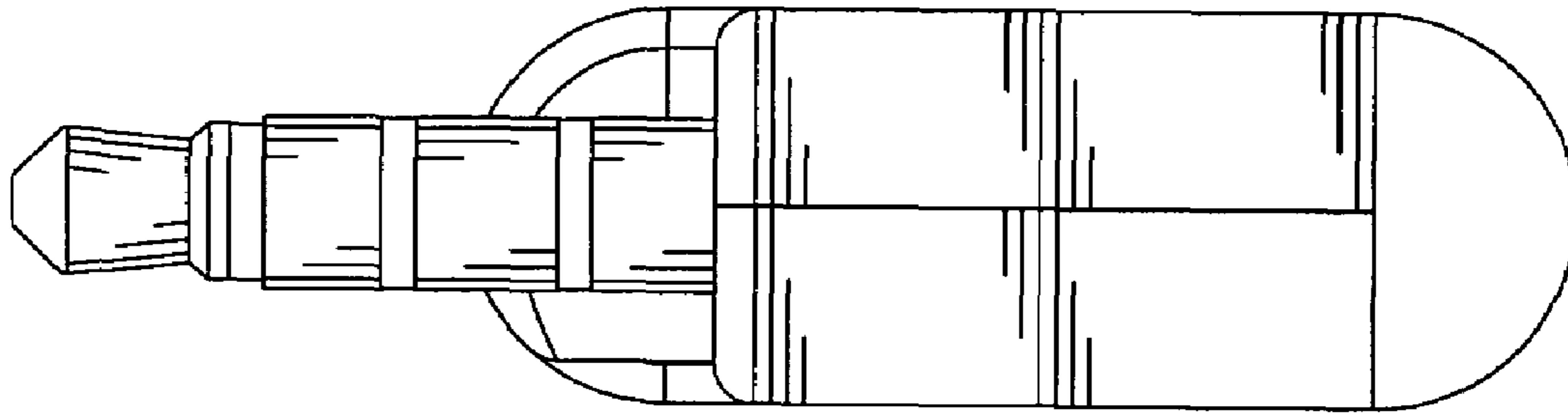


FIG. 3

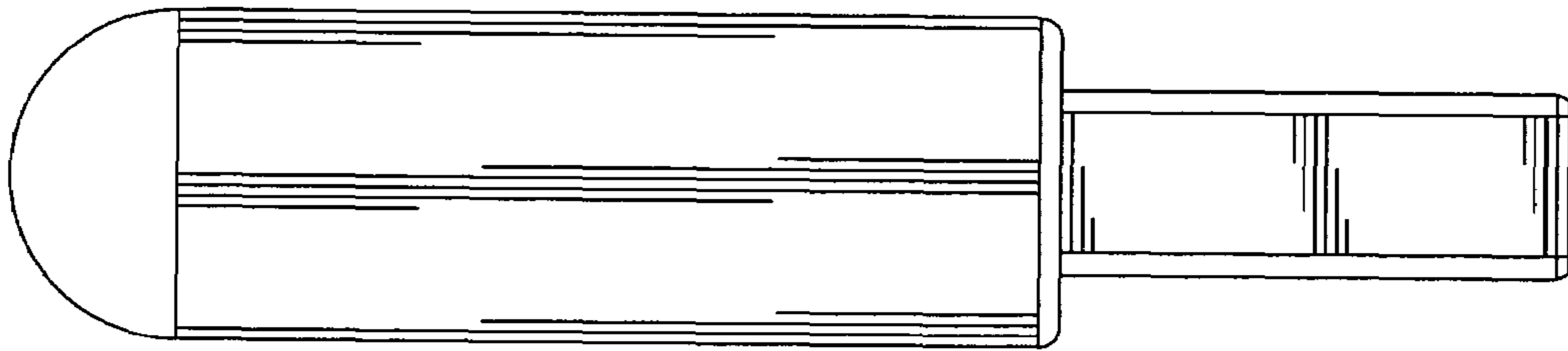


FIG. 4

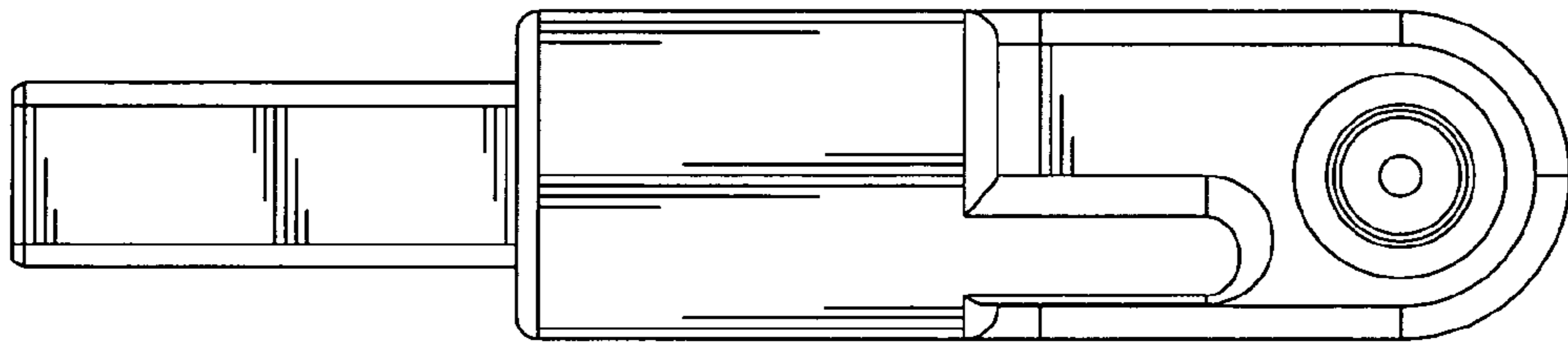


FIG. 5

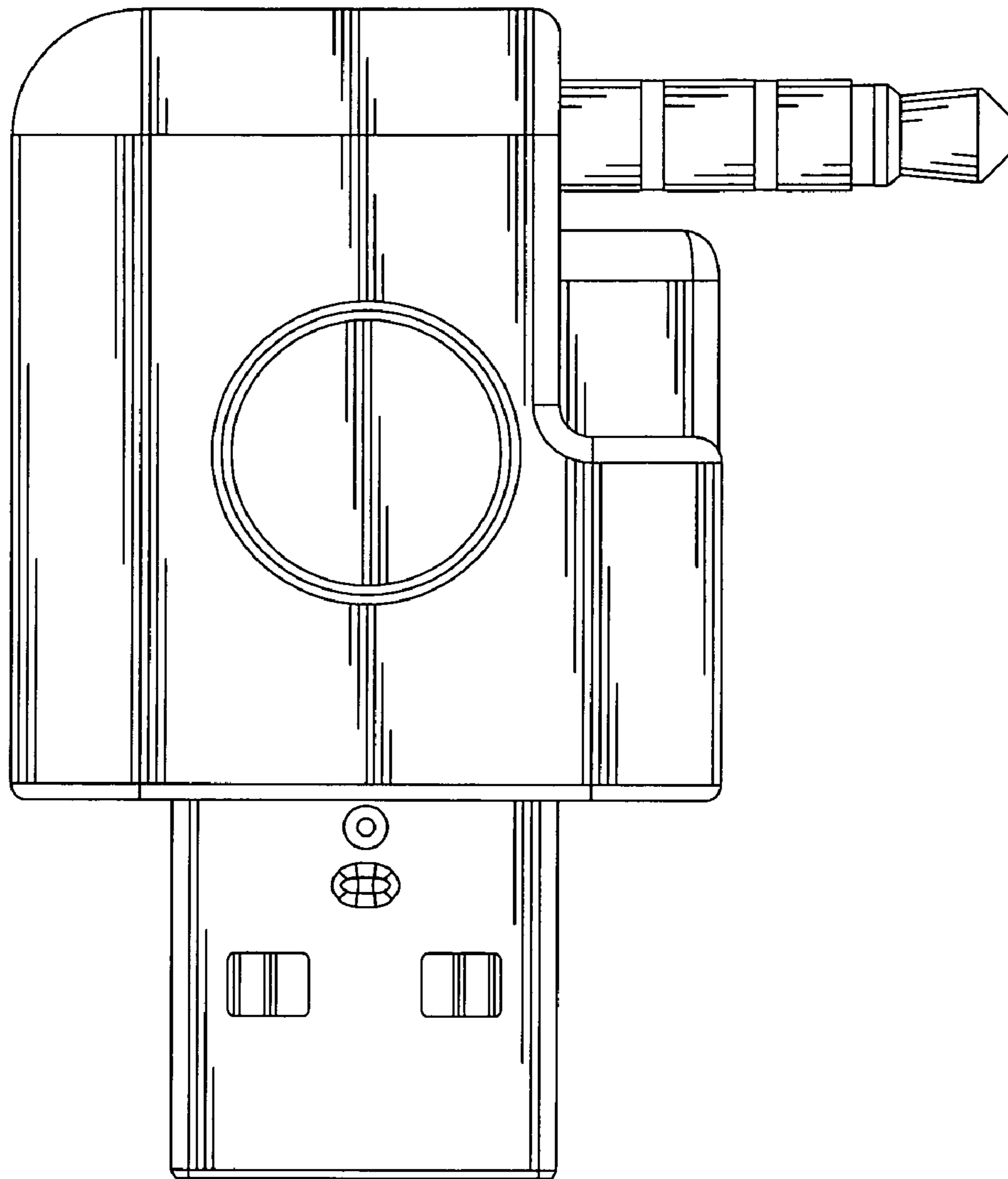


FIG. 6

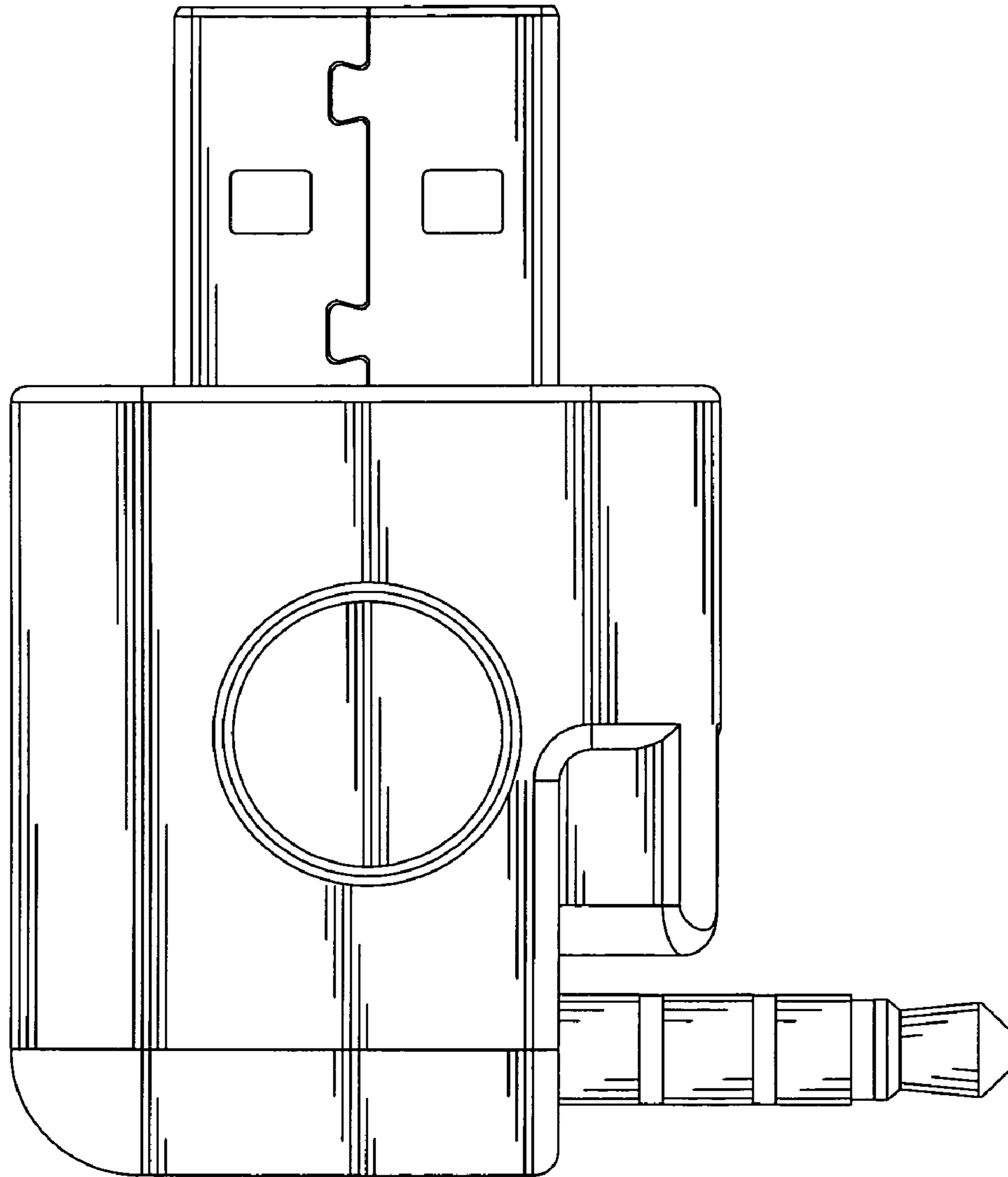


FIG. 7