



US00D589885S

(12) **United States Design Patent**  
**Wu**

(10) **Patent No.:** **US D589,885 S**

(45) **Date of Patent:** **\*\* Apr. 7, 2009**

(54) **ELECTRICAL CONNECTOR**

(75) Inventor: **Chun-Kung Wu**, Tu-cheng (TW)

(73) Assignee: **Hon Hai Precision Ind. Co., Ltd.**,  
Taipei Hsien (TW)

(\*\*) Term: **14 Years**

(21) Appl. No.: **29/289,946**

(22) Filed: **Aug. 8, 2007**

(30) **Foreign Application Priority Data**

Feb. 9, 2007 (CN) ..... 2007 3 0026448

(51) **LOC (9) Cl.** ..... **13-03**

(52) **U.S. Cl.** ..... **D13/147**

(58) **Field of Classification Search** ..... D13/146–147,  
D13/154, 184; 439/62, 260, 329, 395, 607–610  
See application file for complete search history.

(56) **References Cited**

**U.S. PATENT DOCUMENTS**

D481,998 S *	11/2003	Saito et al.	.....	D13/147
D481,999 S *	11/2003	Saito et al.	.....	D13/147
D482,000 S *	11/2003	Saito et al.	.....	D13/147
D482,327 S *	11/2003	Saito et al.	.....	D13/147
D500,985 S *	1/2005	Yamane et al.	.....	D13/147
D501,183 S *	1/2005	Yamane et al.	.....	D13/147

D526,617 S *	8/2006	Yamane et al.	.....	D13/147
D529,869 S *	10/2006	Lee et al.	.....	D13/147

\* cited by examiner

*Primary Examiner*—Daniel D Bui

(74) *Attorney, Agent, or Firm*—Wei Te Chung

(57) **CLAIM**

The ornamental design for an electrical connector, as shown and described.

**DESCRIPTION**

FIG. 1 is a top, front and left side perspective view of an electrical connector;

FIG. 2 is a front elevational view thereof;

FIG. 3 is a rear elevational view thereof;

FIG. 4 is a left side elevational view thereof;

FIG. 5 is a right side elevational view thereof;

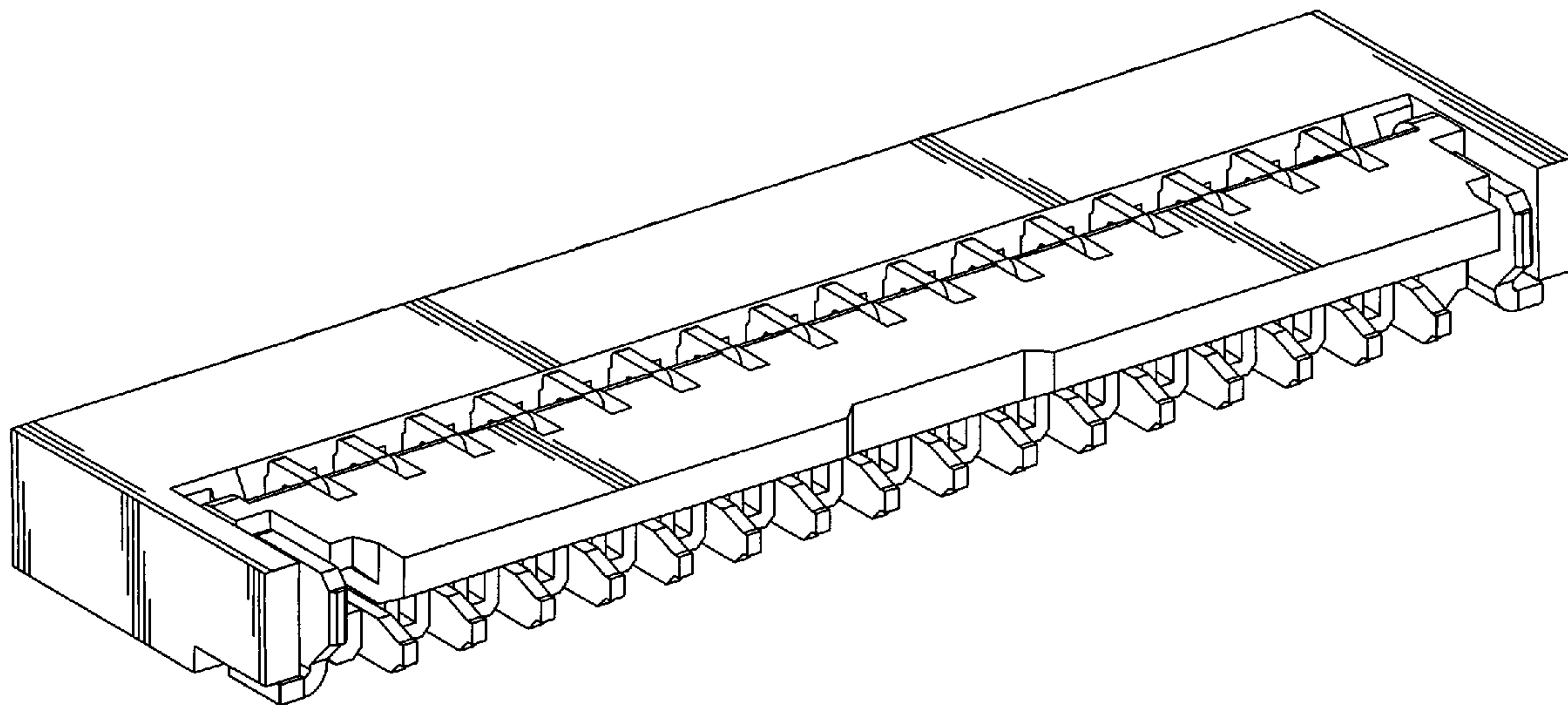
FIG. 6 is a top plan view thereof;

FIG. 7 is a bottom plan view thereof; and,

FIG. 8 is a cross-sectional view along line VIII—VIII of FIG. 6.

The broken line of internal elements in FIGS. 2, 3 and 6 is included to show the unclaimed subject matter only and forms no part of the claimed design.

**1 Claim, 8 Drawing Sheets**



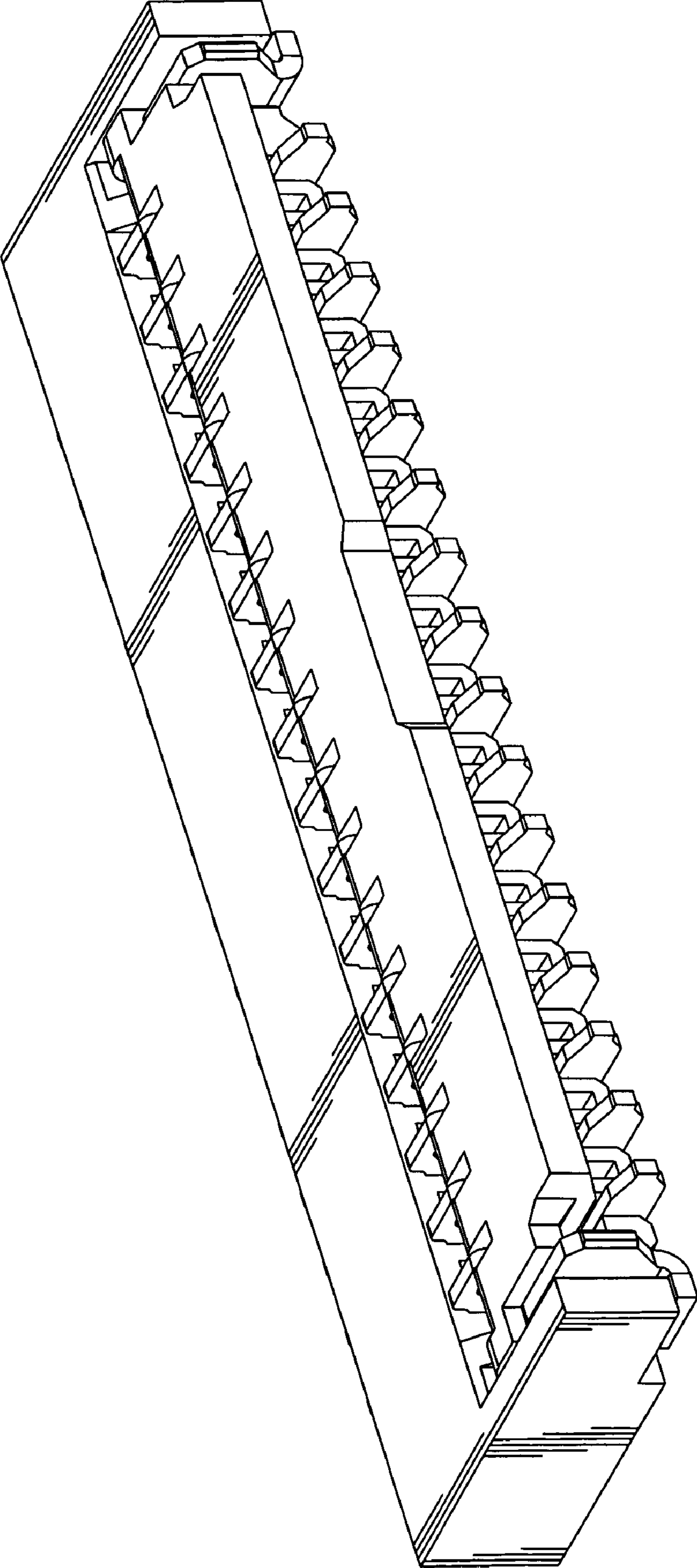


FIG. 1

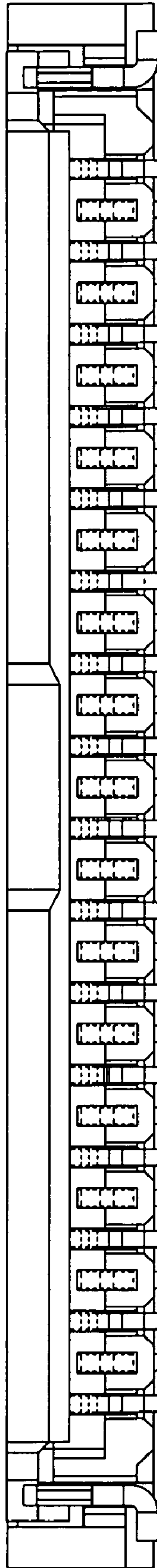


FIG. 2

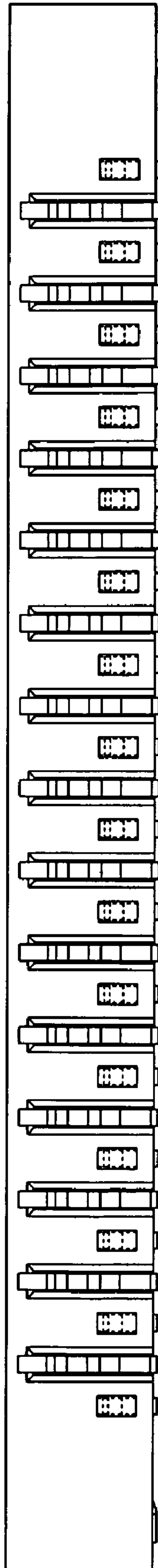


FIG. 3

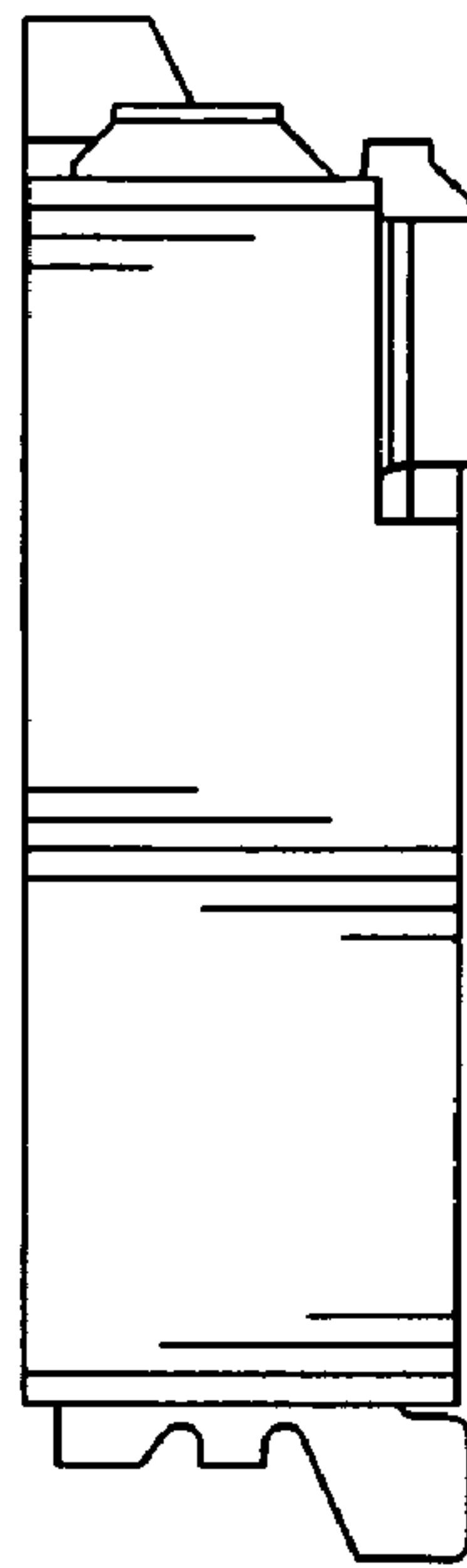


FIG. 4

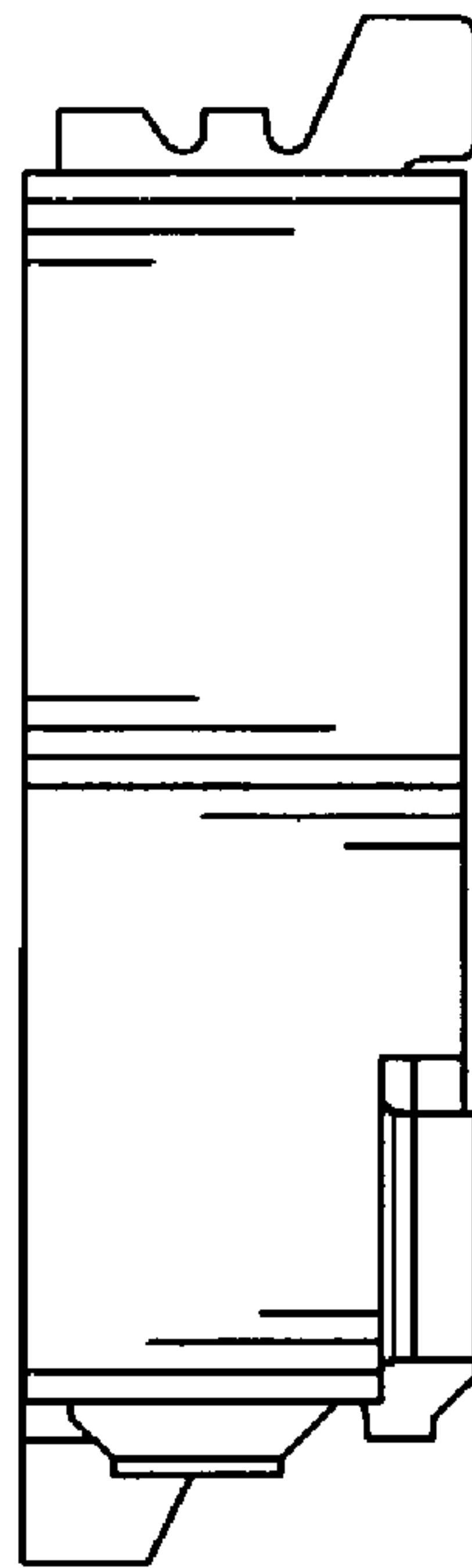


FIG. 5

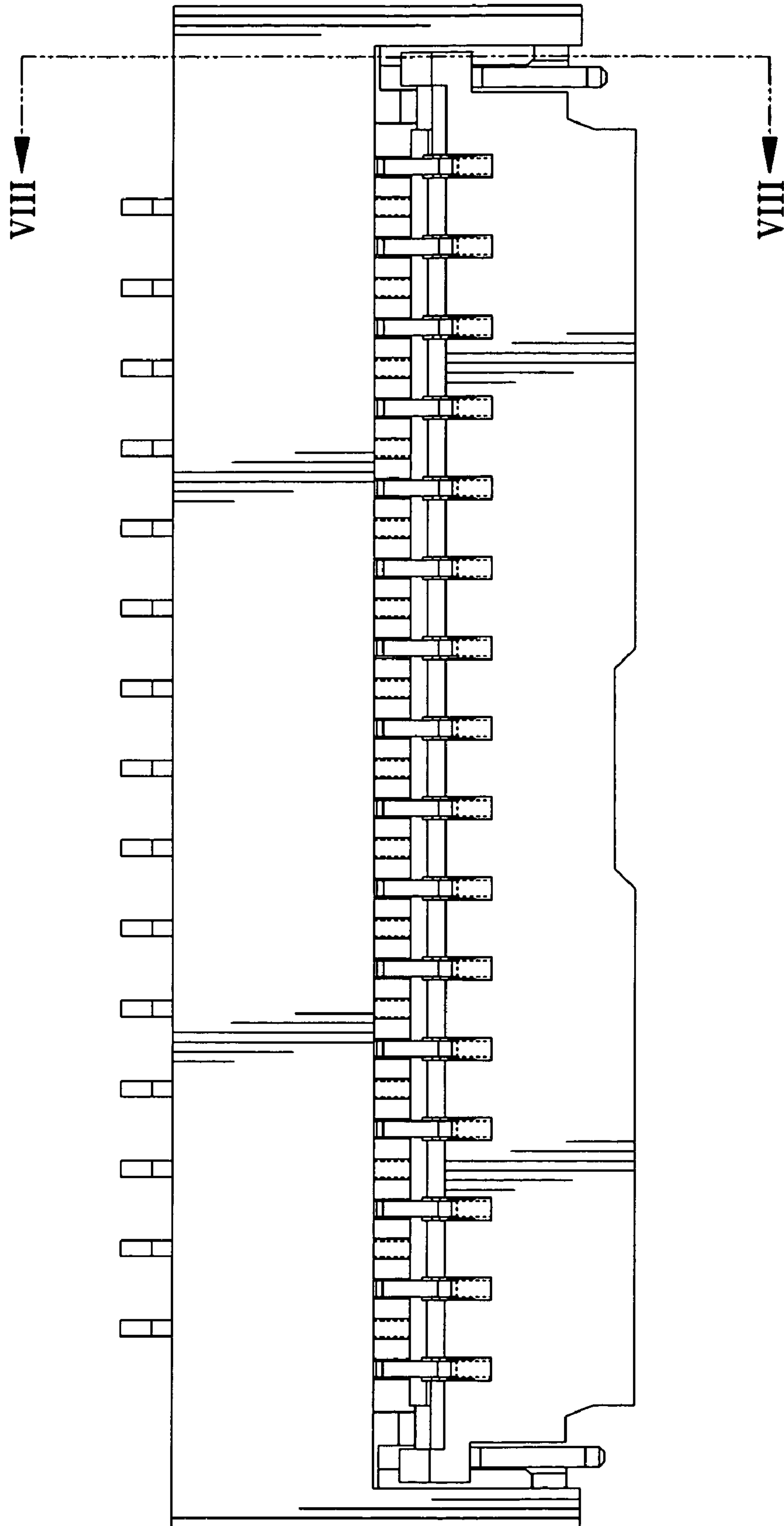


FIG. 6

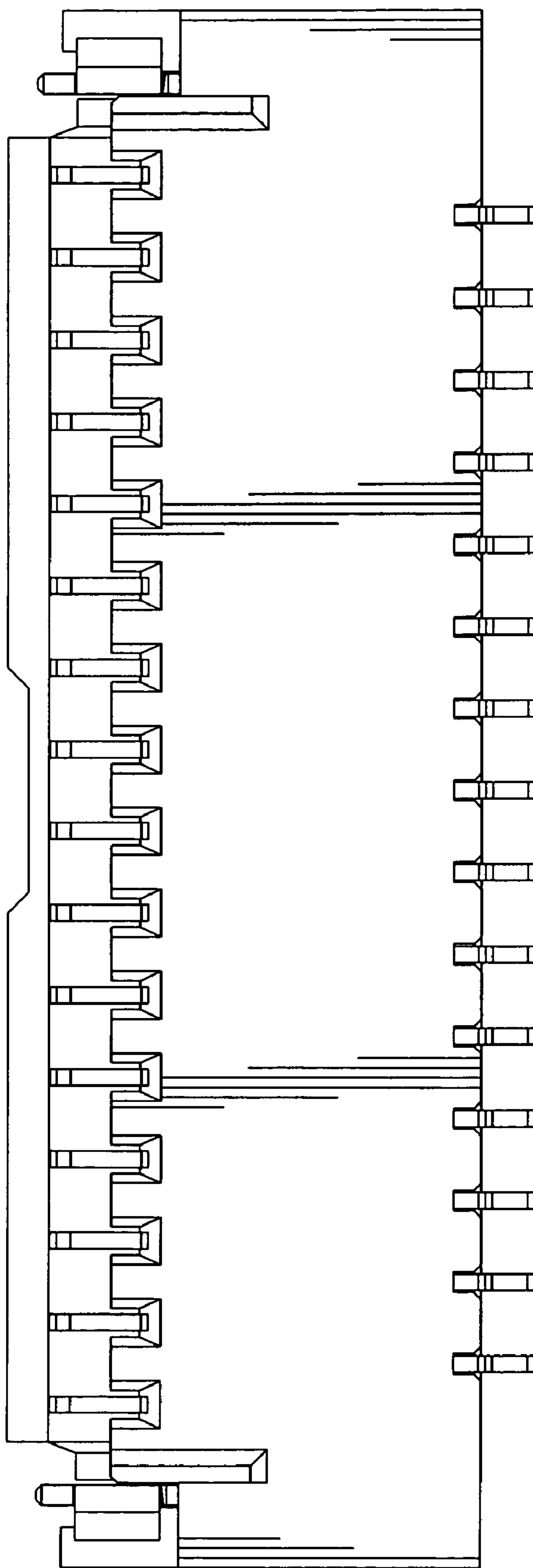


FIG. 7



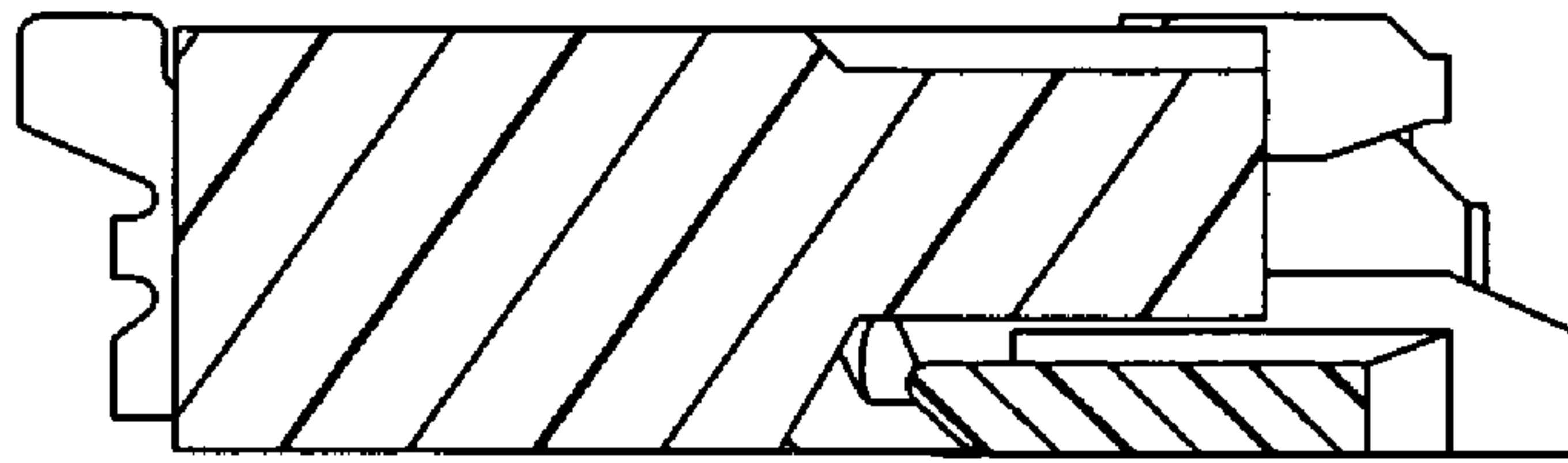


FIG. 8