



US00D589879S

(12) **United States Design Patent**
Yokota

(10) **Patent No.:** **US D589,879 S**
(45) **Date of Patent:** **** Apr. 7, 2009**

(54) **HYDRAULIC MOTOR**

D424,516 S * 5/2000 Friedrichsen D13/112

(75) Inventor: **Takaya Yokota**, Toyama (JP)

(73) Assignee: **Nachi-Fujikoshi Corp.**, Toyama-Ken (JP)

(**) Term: **14 Years**

(21) Appl. No.: **29/317,391**

(22) Filed: **Apr. 29, 2008**

(30) **Foreign Application Priority Data**

Oct. 30, 2007 (CN) 2007 3 0330174

(51) **LOC (9) Cl.** **13-01**

(52) **U.S. Cl.** **D13/112**

(58) **Field of Classification Search** D13/112,
D13/122, 199; D15/7; 91/197, 308, 317,
91/491; 310/154.14; 903/914

See application file for complete search history.

(56) **References Cited**

U.S. PATENT DOCUMENTS

- D239,562 S * 4/1976 Matousek D13/112
- 4,933,582 A * 6/1990 Hata et al. 310/154.14
- D325,560 S * 4/1992 Baines D13/112
- 5,182,977 A * 2/1993 Gulbrantson 91/197
- 5,465,646 A * 11/1995 DiCarlo 91/308
- D384,674 S * 10/1997 Grolle et al. D15/7
- D409,564 S * 5/1999 Koshida D13/112

FOREIGN PATENT DOCUMENTS

JP	1330245	5/2008
JP	1330439	5/2008
JP	1330440	5/2008
JP	1330441	5/2008
JP	1330442	5/2008
JP	1330443	5/2008
JP	1330444	5/2008
JP	1330445	5/2008

* cited by examiner

Primary Examiner—Prabhakar Deshmukh

Assistant Examiner—Derrick Holland

(74) *Attorney, Agent, or Firm*—Patterson, Thuente, Skaar & Christensen, P.A.

(57) **CLAIM**

I claim the ornamental design for hydraulic motor, as shown.

DESCRIPTION

FIG. 1 is a perspective view of a hydraulic motor showing my new design;

FIG. 2 is a front view thereof;

FIG. 3 is a rear view thereof;

FIG. 4 is a top plan view thereof;

FIG. 5 is a bottom plan view thereof;

FIG. 6 is a right side view thereof; and,

FIG. 7 is a left side view thereof.

1 Claim, 7 Drawing Sheets

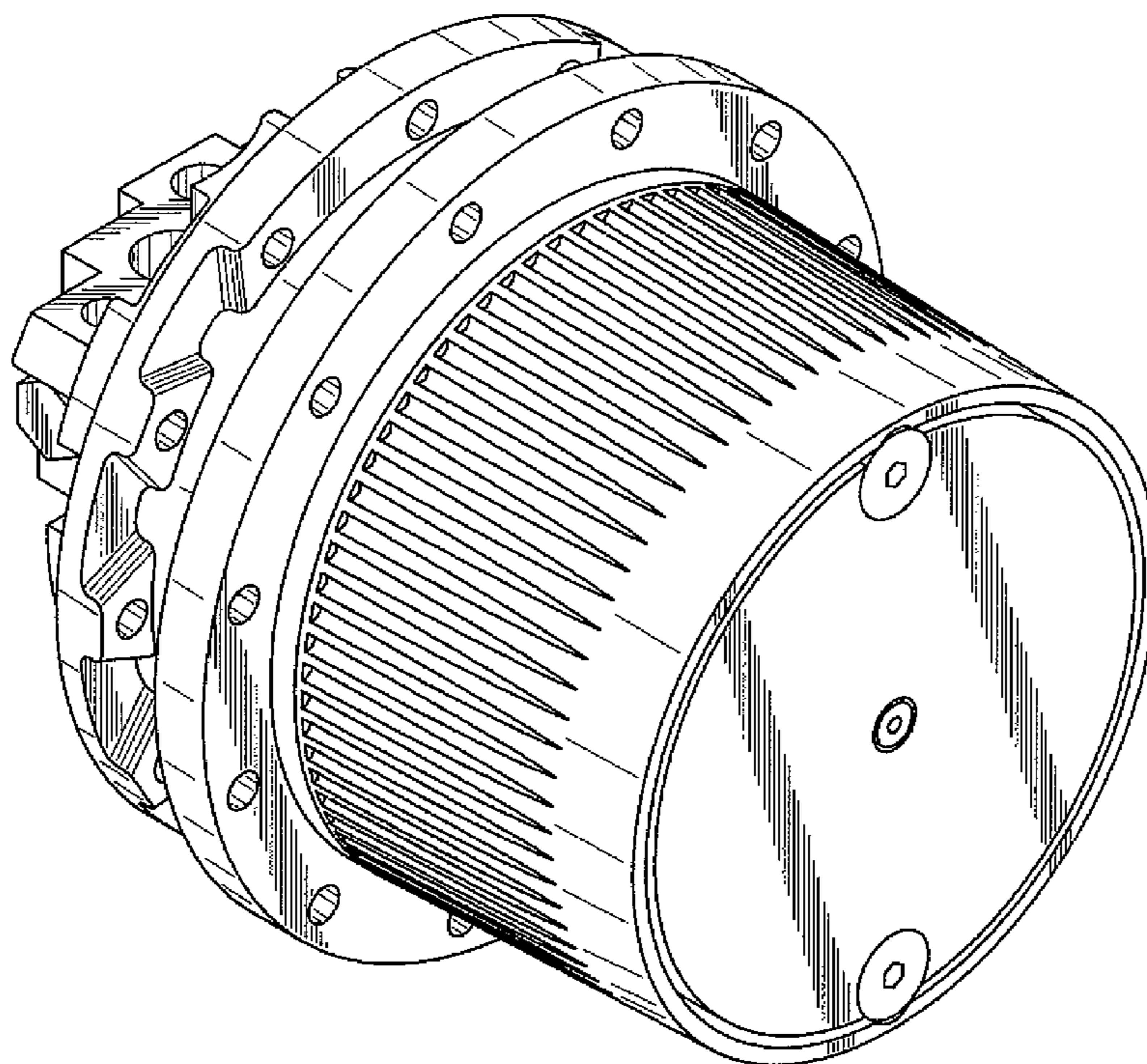


FIG. 1

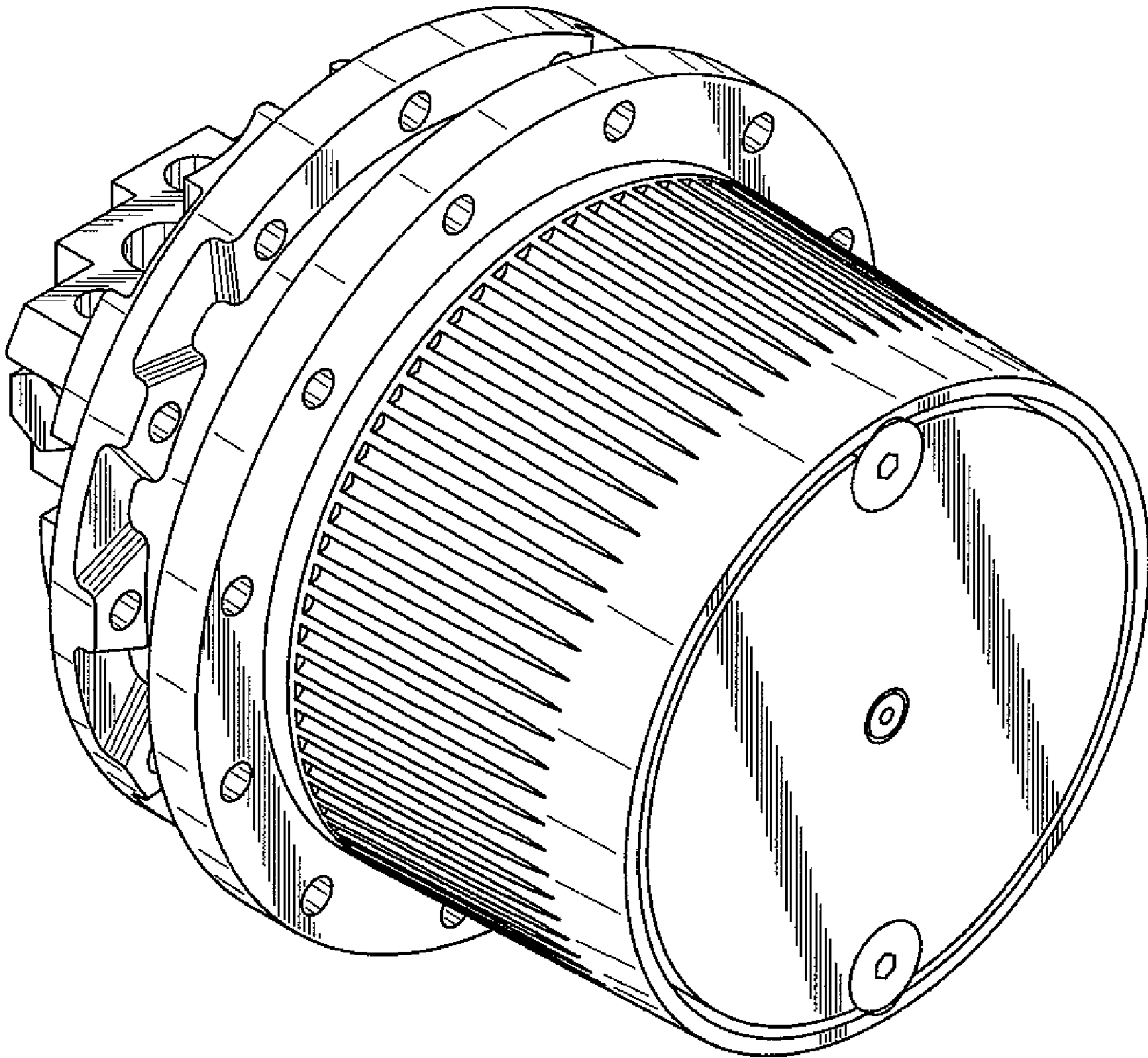


FIG. 2

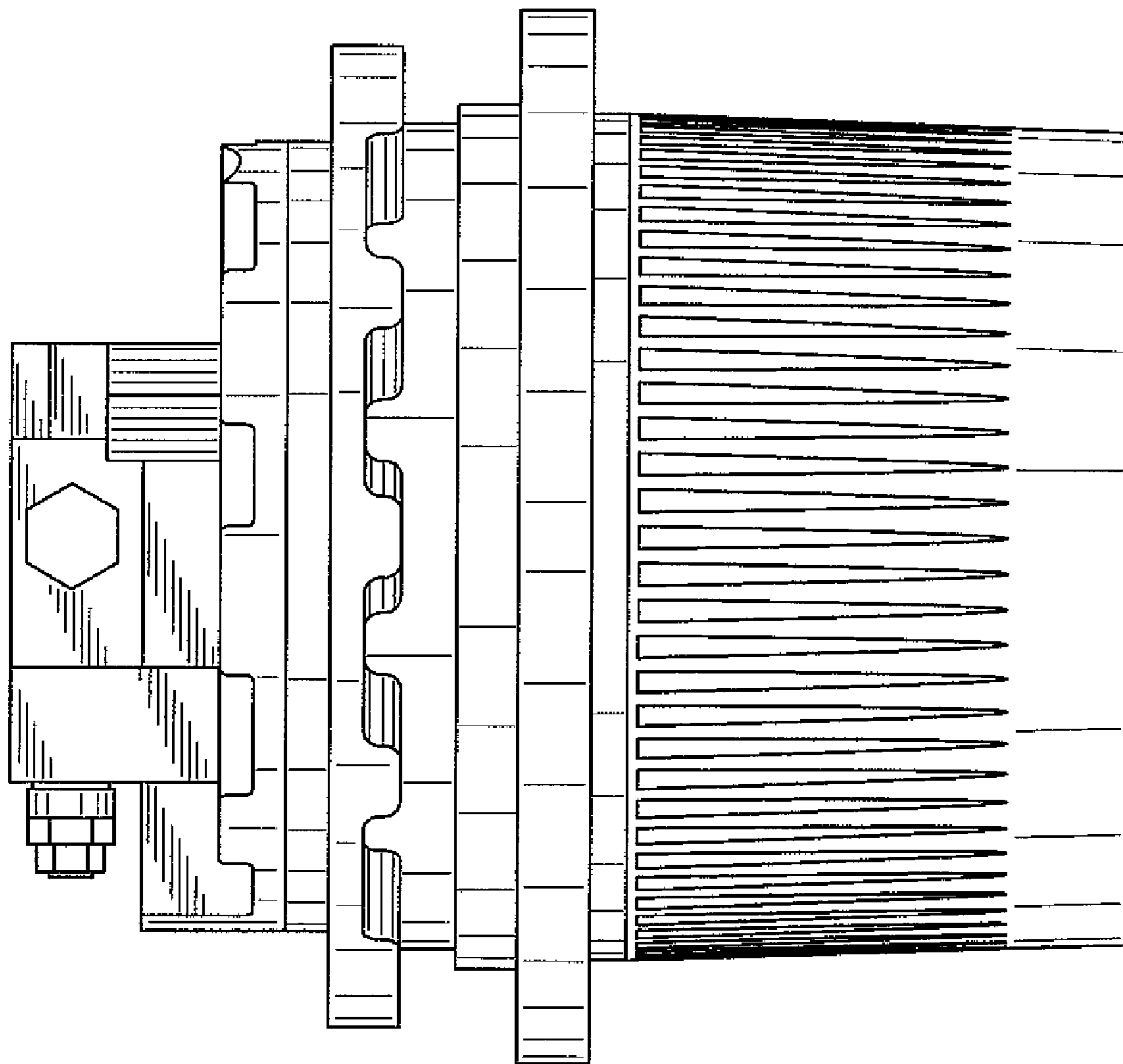


FIG. 3

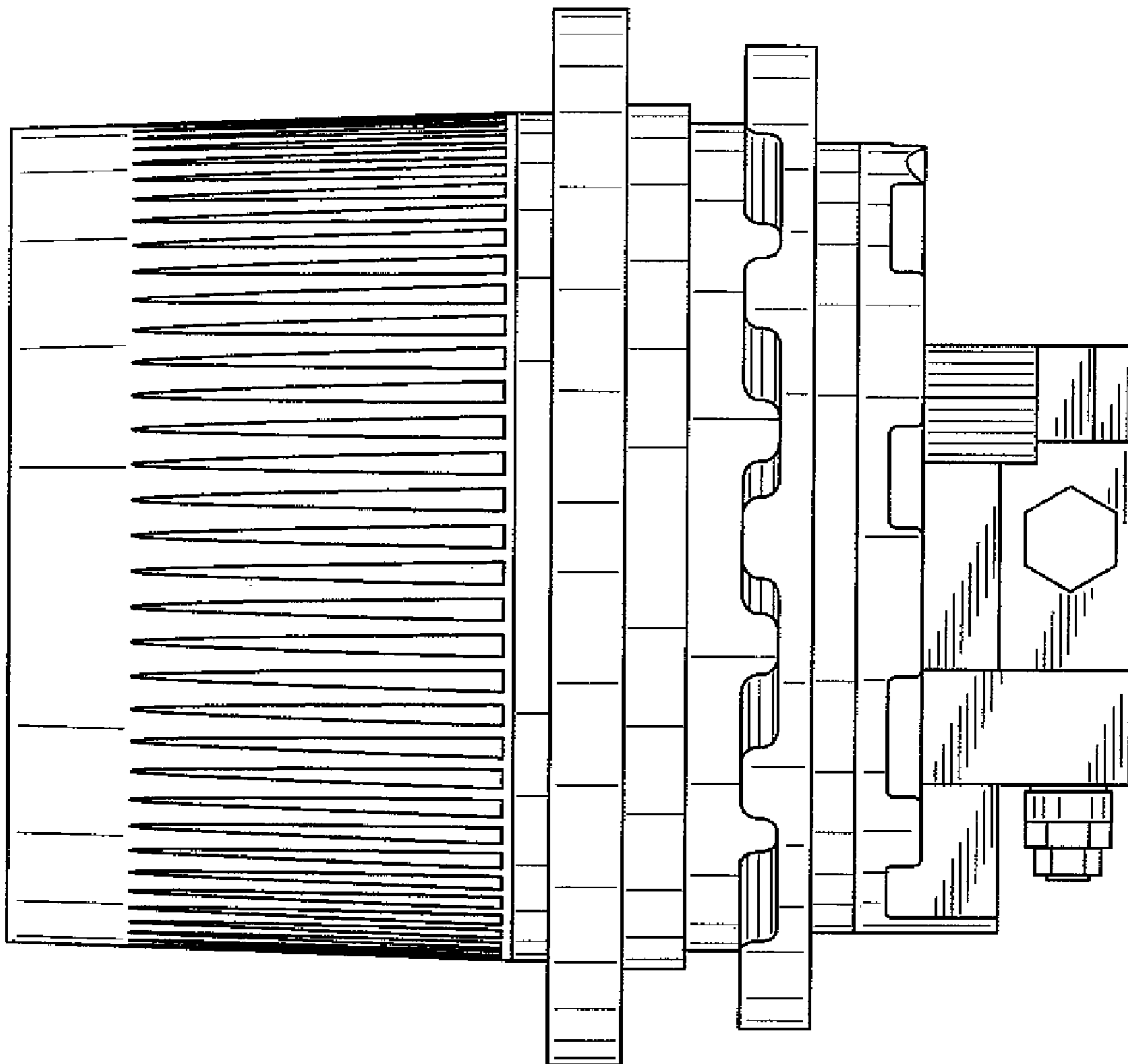


FIG. 4

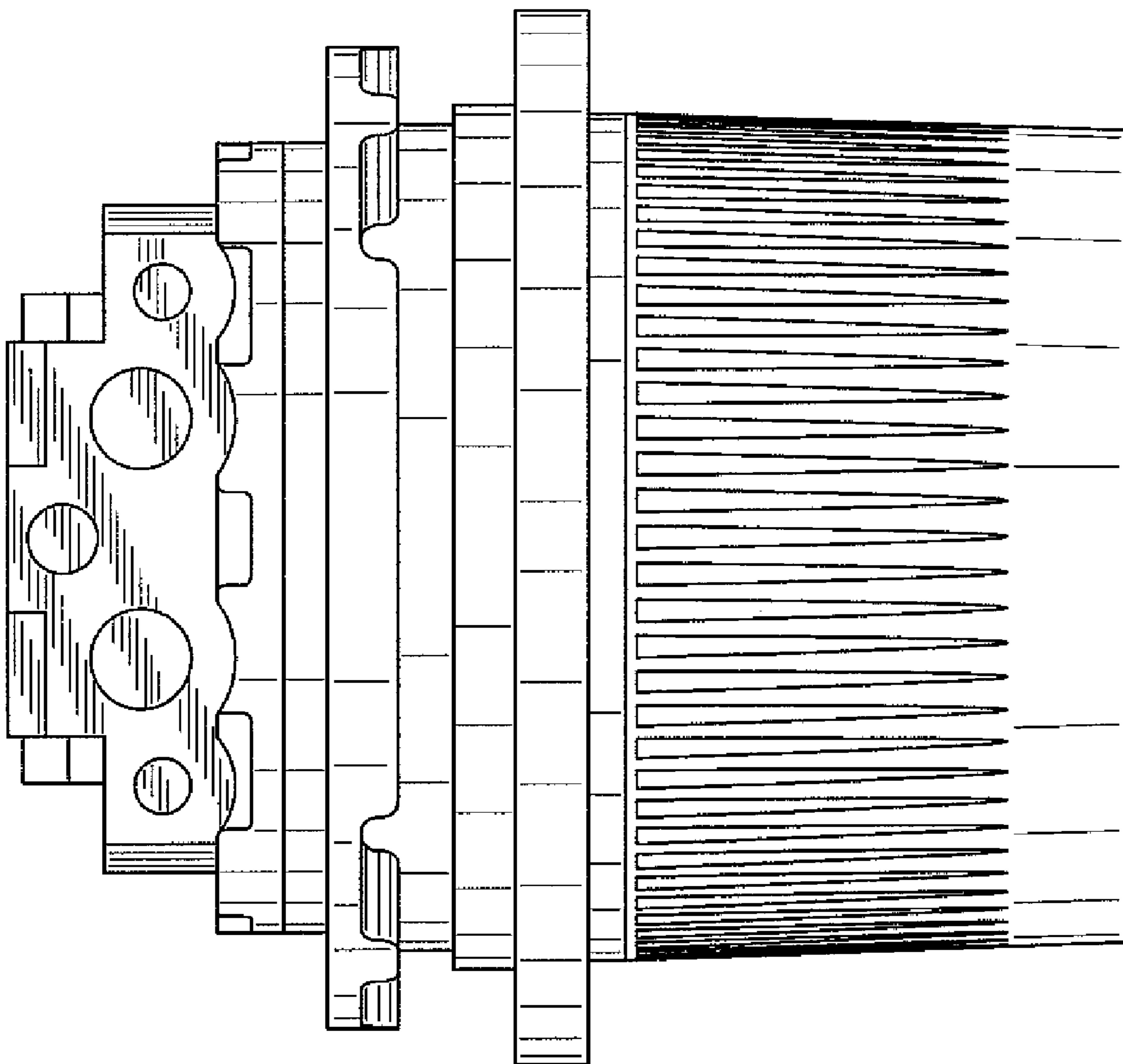


FIG. 5

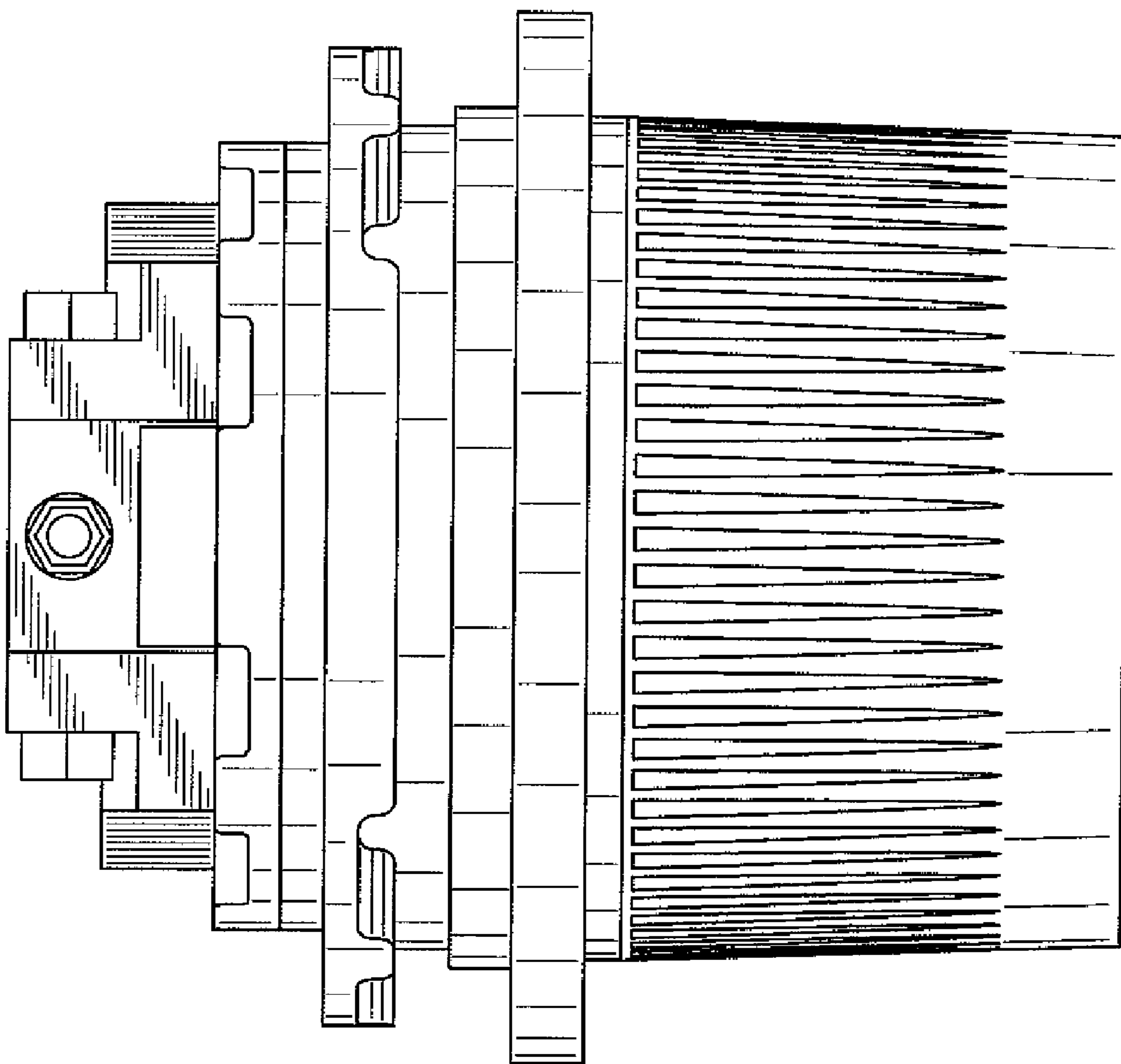


FIG. 6

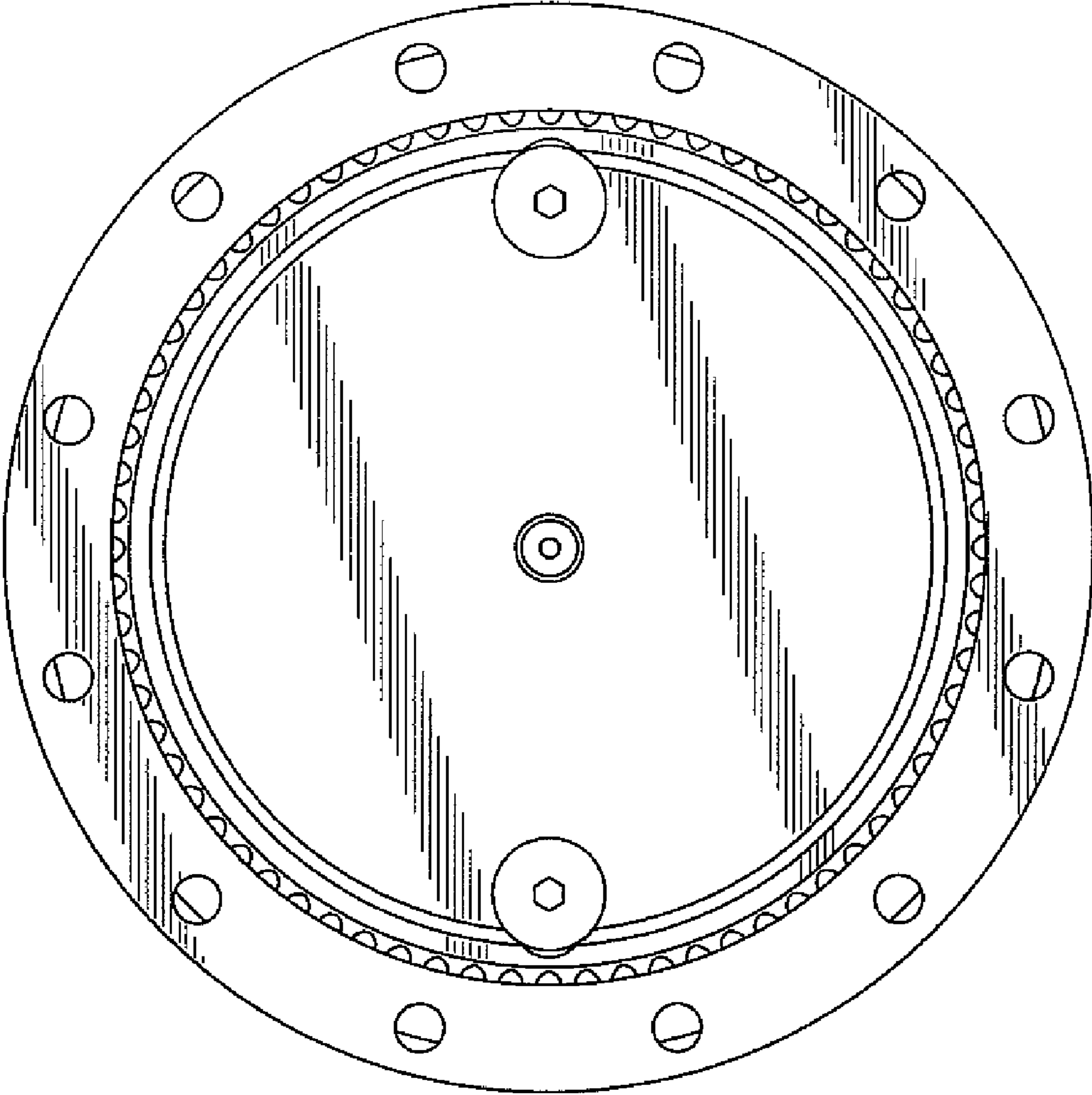
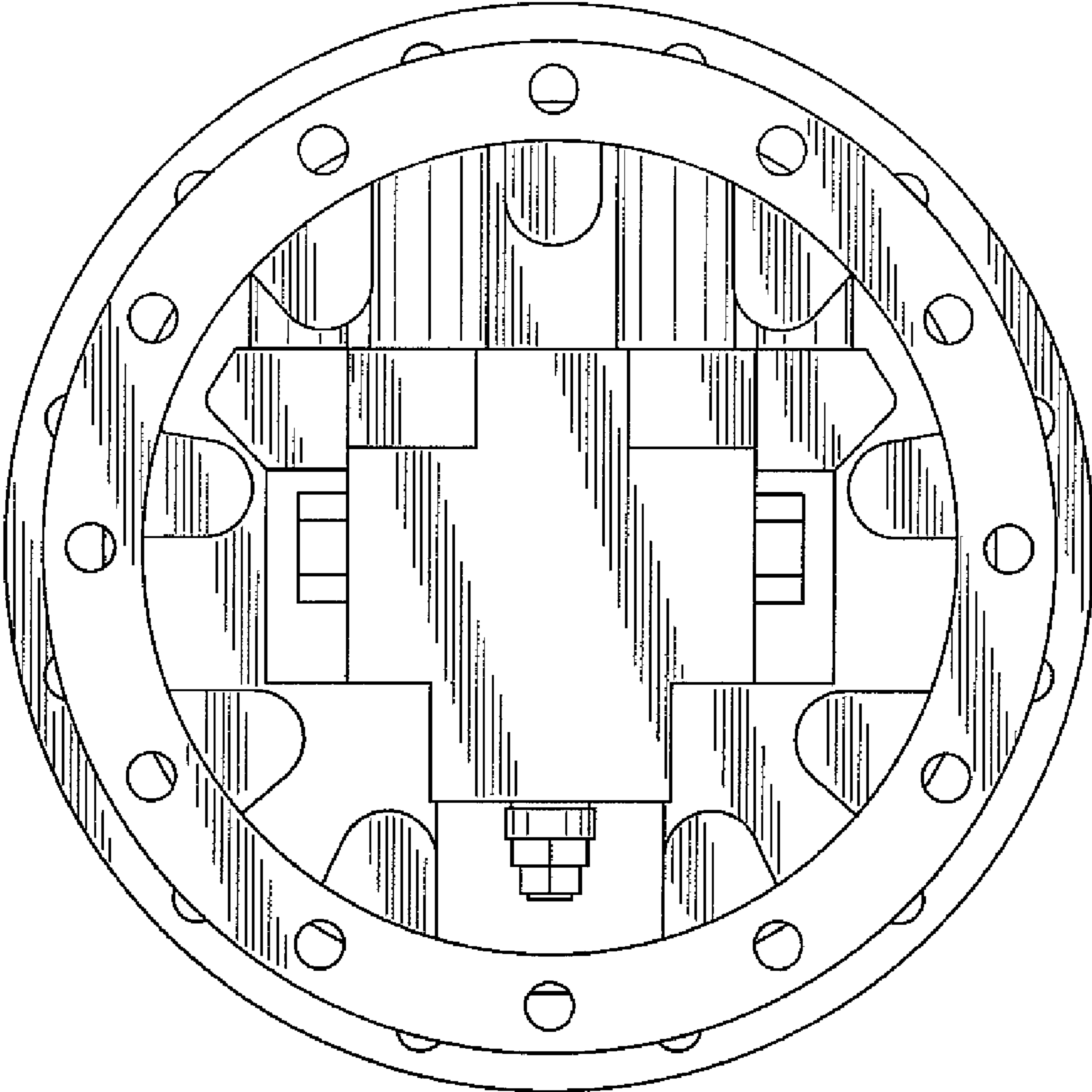


FIG. 7



UNITED STATES PATENT AND TRADEMARK OFFICE
CERTIFICATE OF CORRECTION

PATENT NO. : Des. 589,879 S
APPLICATION NO. : 29/317391
DATED : April 7, 2009
INVENTOR(S) : Takaya Yokota

Page 1 of 1

It is certified that error appears in the above-identified patent and that said Letters Patent is hereby corrected as shown below:

Title Page, item (30) Foreign Application Priority Data

Please add --.5-- after "2007 3 0330174"

Signed and Sealed this
Sixteenth Day of June, 2009



JOHN DOLL
Acting Director of the United States Patent and Trademark Office