



US00D589878S

(12) **United States Design Patent**
Bauck et al.

(10) **Patent No.:** **US D589,878 S**
(45) **Date of Patent:** **** Apr. 7, 2009**

(54) **RECIPROCATING AIR MOTOR**

(75) Inventors: **Mark L. Bauck**, Coon Rapids, MN (US); **John C. Holman**, Ham Lake, MN (US); **Wade D. Palashewski**, Andover, MN (US); **Mark T. Weinberger**, Mounds View, MN (US)

(73) Assignee: **Graco Minnesota Inc.**, Minneapolis, MN (US)

(**) Term: **14 Years**

(21) Appl. No.: **29/246,886**

(22) Filed: **May 18, 2006**

(51) **LOC (9) Cl.** **13-01**

(52) **U.S. Cl.** **D13/112**

(58) **Field of Classification Search** D13/112,
D13/114, 116, 122, 184, 199; D15/7, 9;
310/52, 89; 415/80, 104-107; 417/1, 16-18,
417/63, 321, 352

See application file for complete search history.

(56) **References Cited**

U.S. PATENT DOCUMENTS

D137,172 S *	2/1944	Bluemink	D13/112
D172,769 S *	8/1954	Sundberg	D13/112
D213,563 S *	3/1969	Mabuchi	D13/112
D273,586 S *	4/1984	Hodgson	D15/7
D382,573 S *	8/1997	Avitan et al.	D15/149
D401,687 S *	11/1998	Pearce et al.	D23/411
D409,564 S *	5/1999	Koshida	D13/112
D442,607 S *	5/2001	Bauck	D15/7
D466,521 S *	12/2002	Kumar et al.	D15/7
6,657,338 B2 *	12/2003	Fisher et al.	310/89

OTHER PUBLICATIONS

Instruction Manual/Parts List for Premier Air Motor, Graco Inc., Minneapolis, Minnesota, 1993, pp. 1-28.
Registered Trademark No. 1,581,077, registered on Feb. 6, 1990, for a design configuration of the shroud of an air-powered pump.

Registered Trademark No. 1,599,217, registered on Jun. 5, 1990, for a design configuration of the shroud of an air-powered pump.
Registered Trademark No. 1,599,219, registered on Jun. 5, 1990, for a design configuration of the shroud of an air-powered pump.
Registered Trademark No. 1,599,218, registered on Jun. 5, 1990, for a design configuration of the shroud of an air-powered pump.

* cited by examiner

Primary Examiner—Stella M Reid

Assistant Examiner—Derrick Holland

(74) *Attorney, Agent, or Firm*—Douglas B. Farrow

(57) **CLAIM**

The ornamental design for the reciprocating air motor, as shown and described.

DESCRIPTION

FIG. 1 is a front perspective view of a reciprocating air motor showing our new design;

FIG. 2 is a top plan view thereof;

FIG. 3 is a front elevation view thereof;

FIG. 4 is a right side elevation view thereof;

FIG. 5 is a rear elevation view thereof;

FIG. 6 is a left side elevation view thereof;

FIG. 7 is a bottom plan view thereof;

FIG. 8 is a front perspective view of another embodiment of a reciprocating air motor showing our new design;

FIG. 9 is a top plan view thereof;

FIG. 10 is a front elevation view thereof;

FIG. 11 is a right side elevation view thereof;

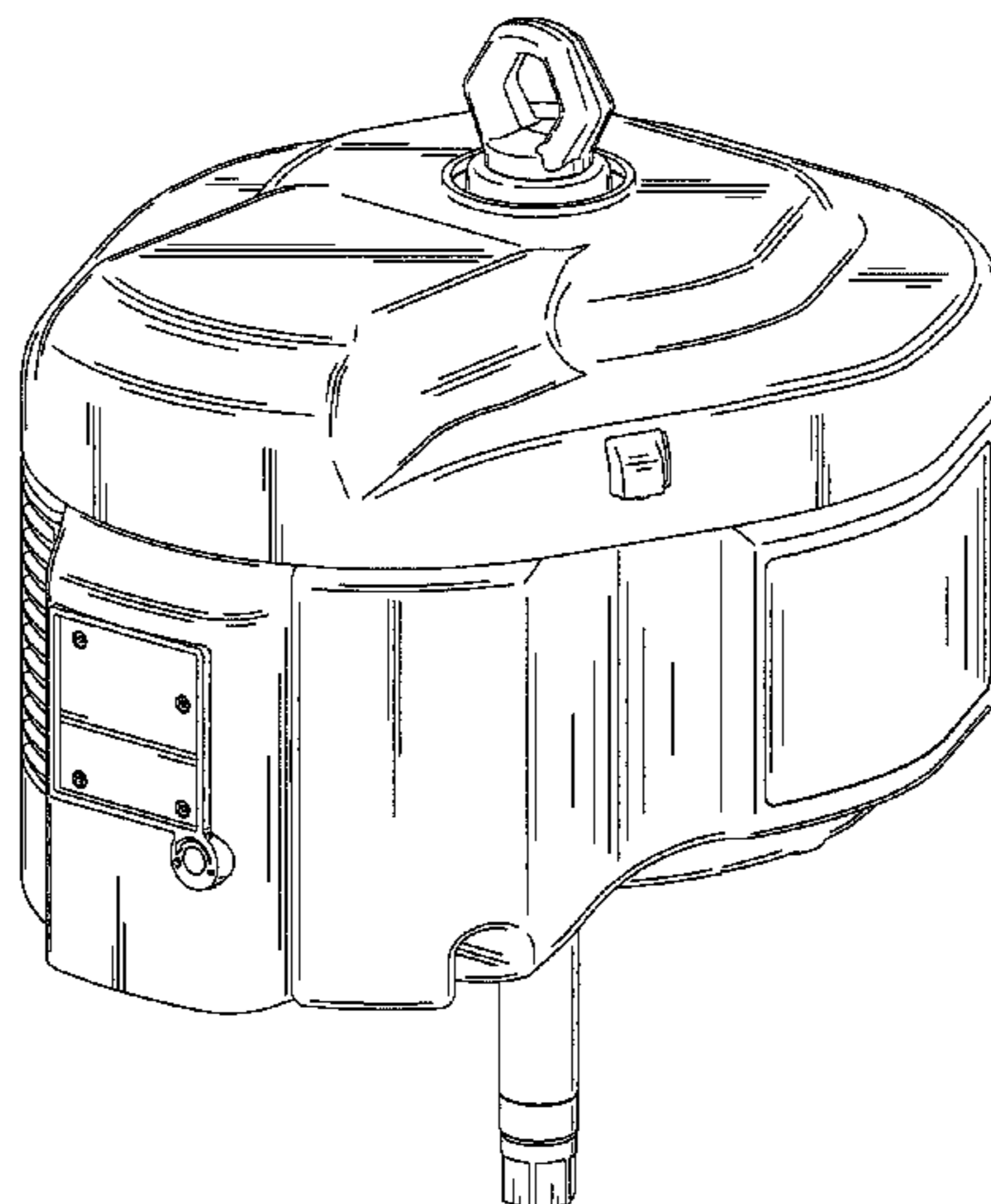
FIG. 12 is a rear elevation view thereof;

FIG. 13 is a left side elevation view thereof; and,

FIG. 14 is a bottom plan view thereof.

The broken lines shown represent unclaimed subject matter and form no part of the claimed design.

1 Claim, 14 Drawing Sheets



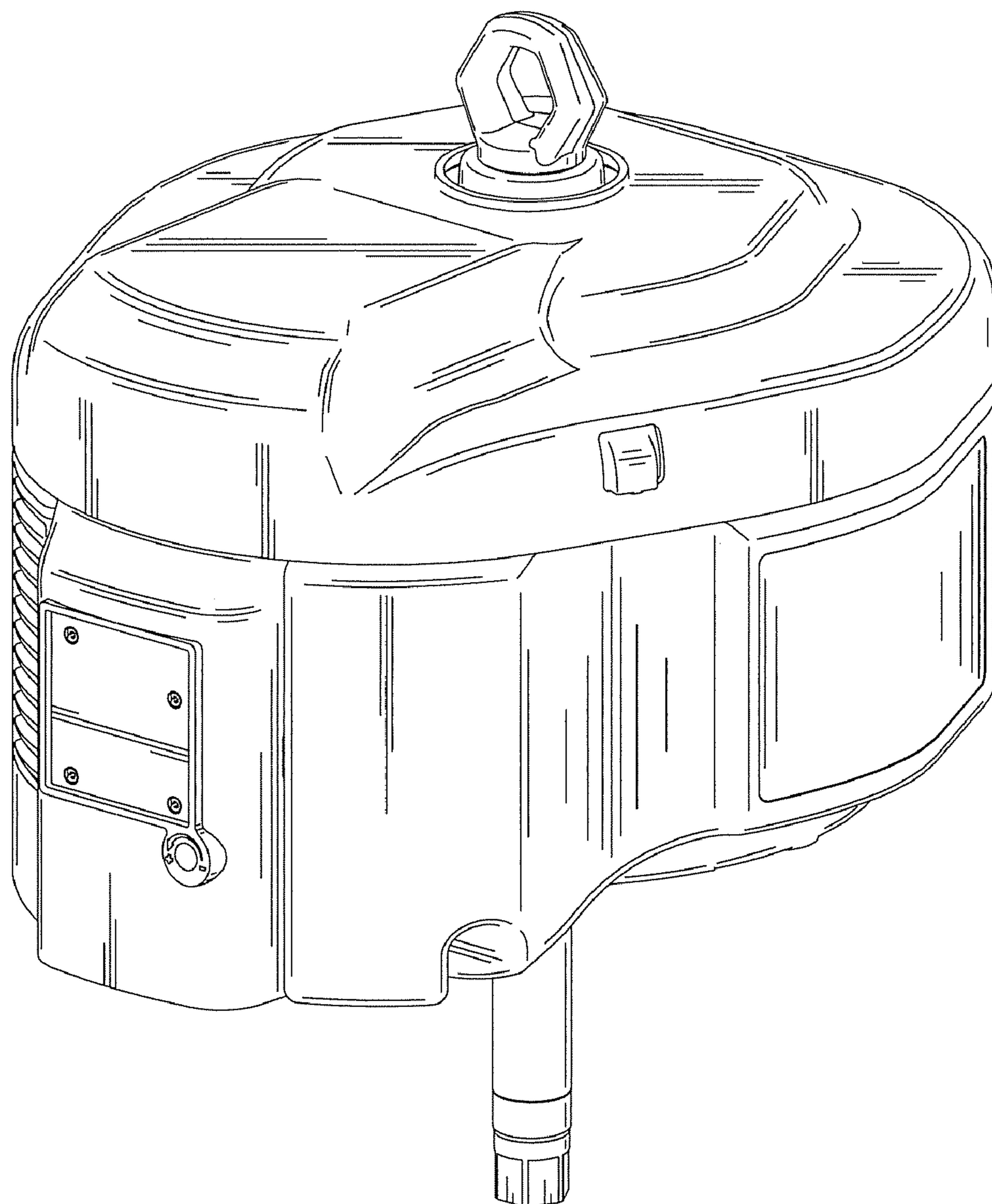


FIG. 1

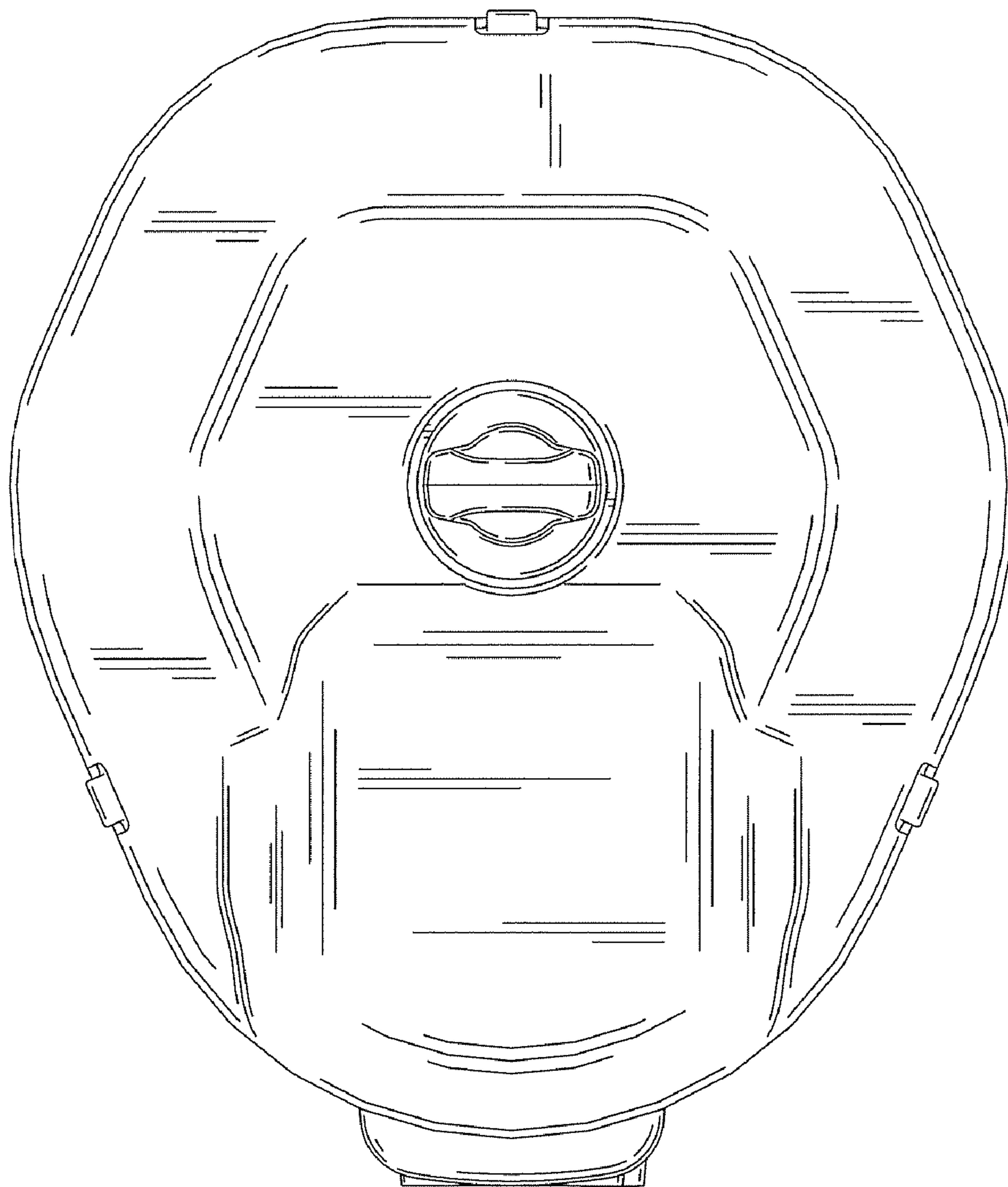


FIG. 2

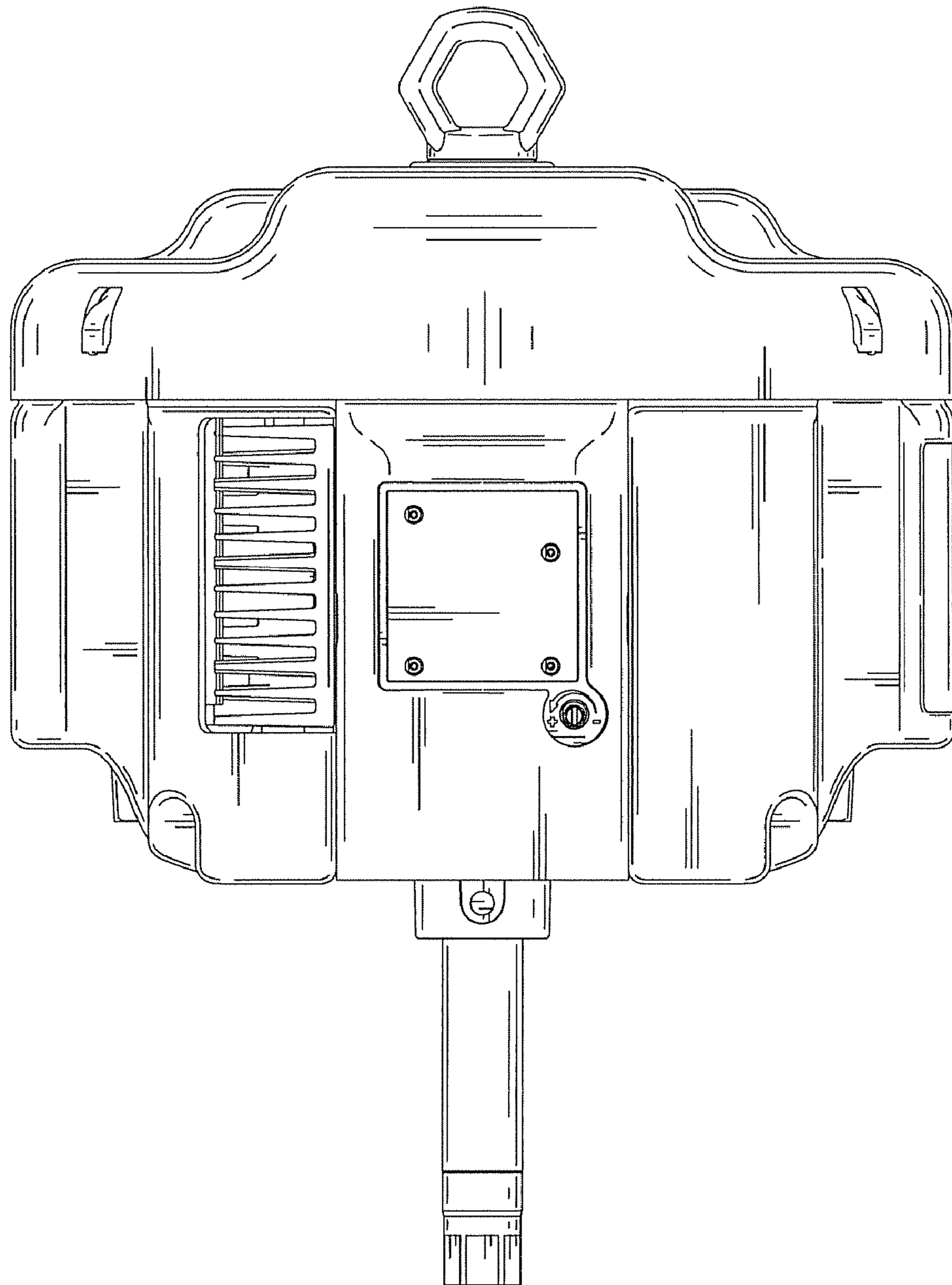


FIG. 3

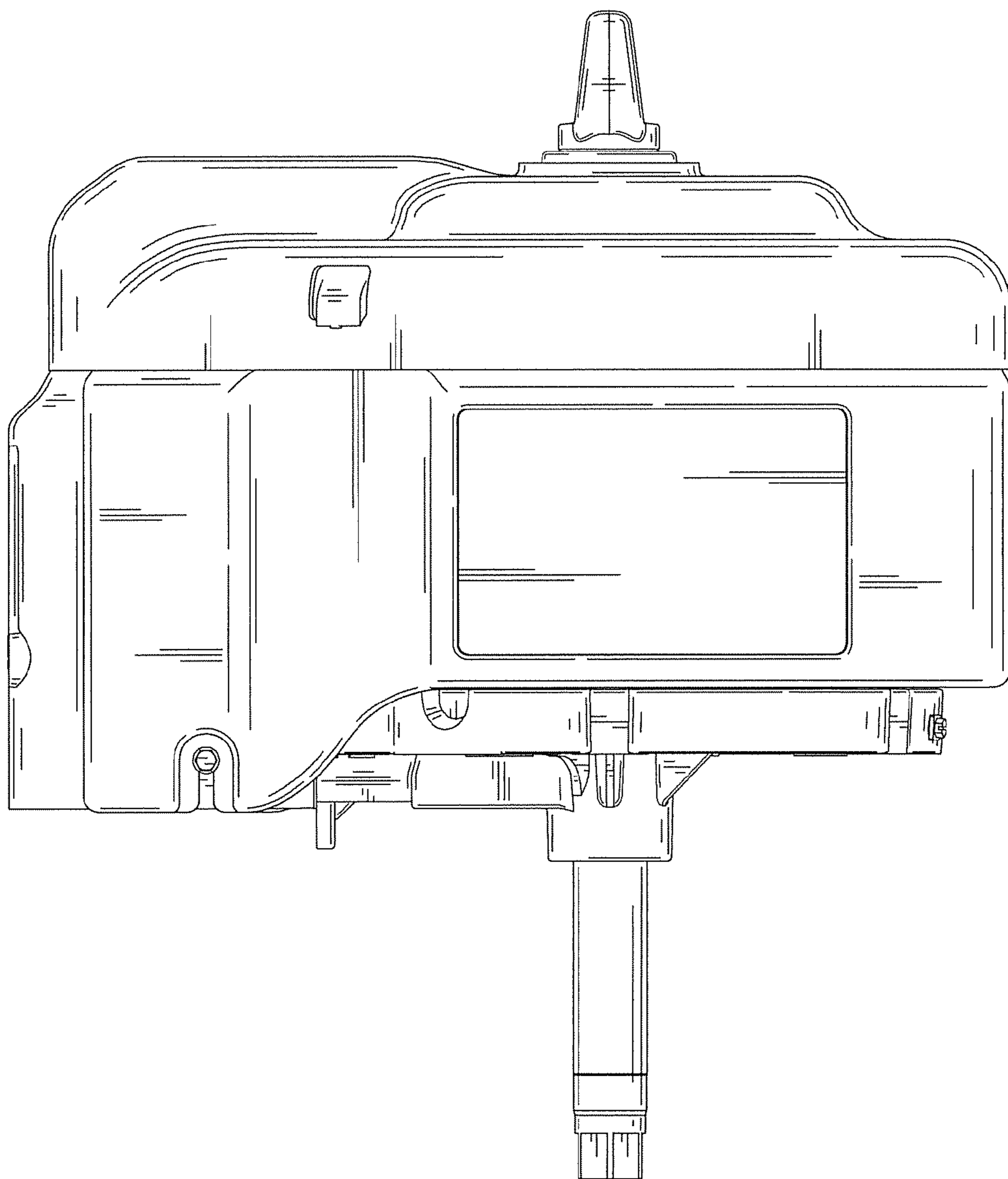


FIG. 4

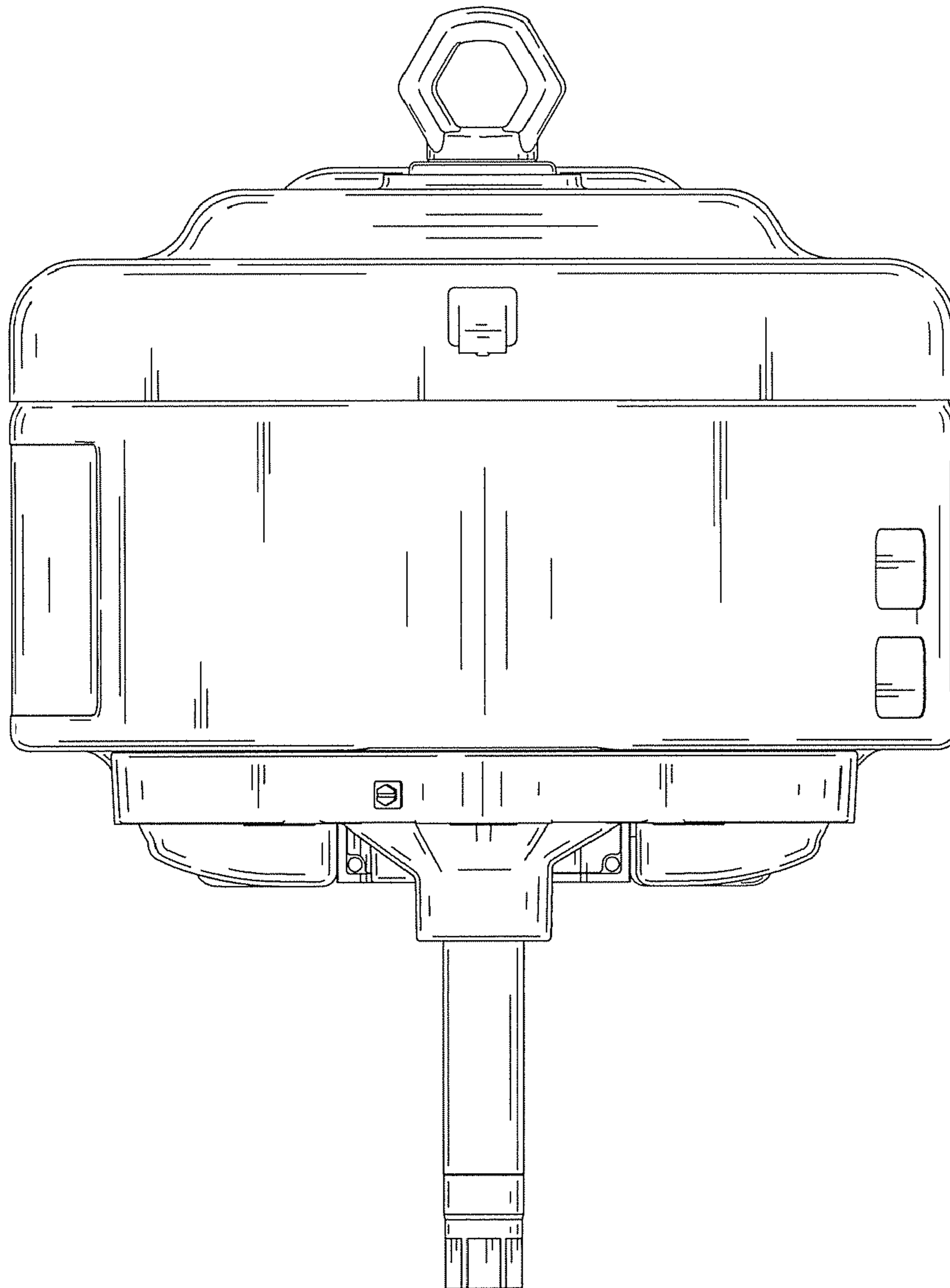


FIG. 5

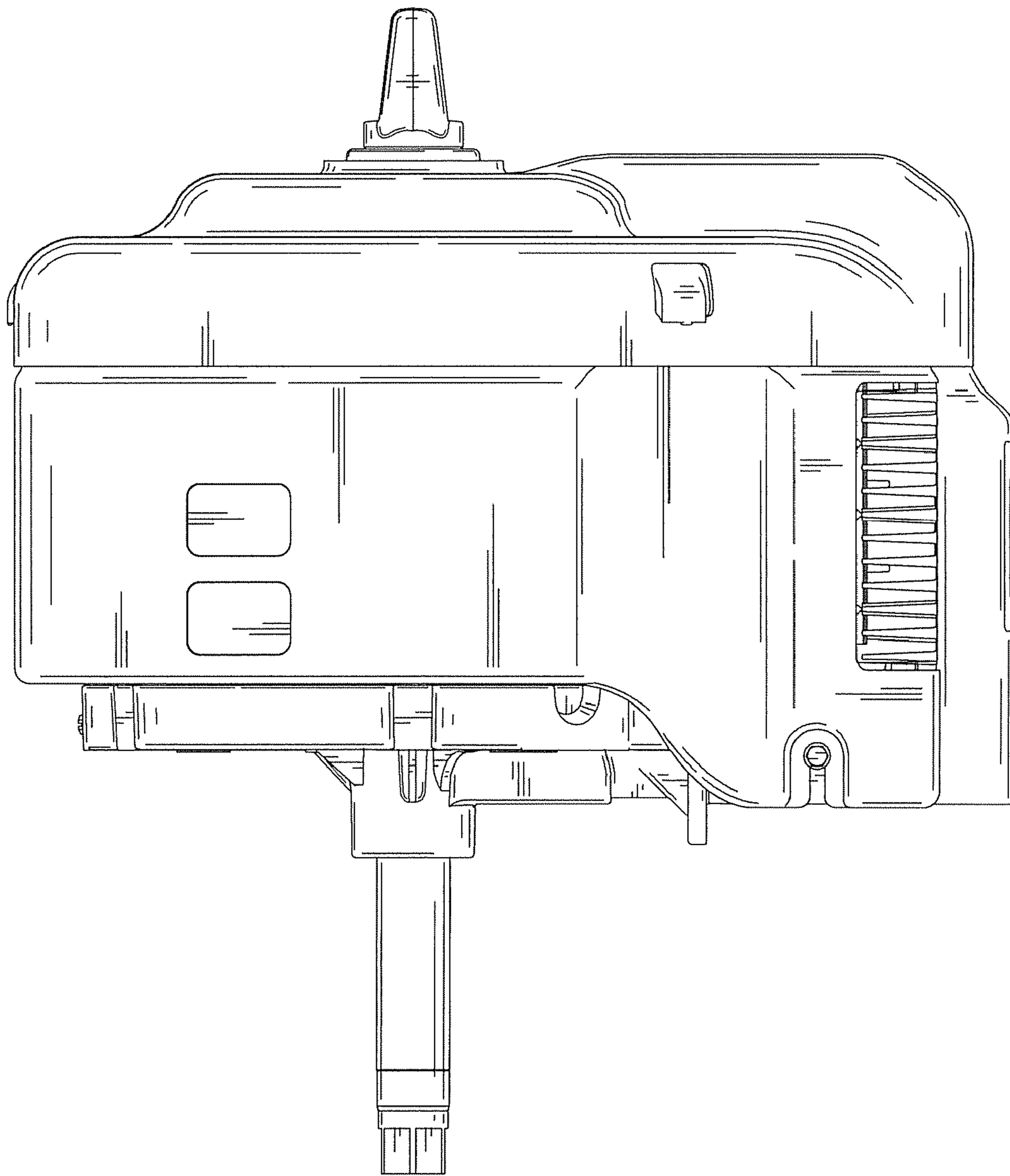


FIG. 6

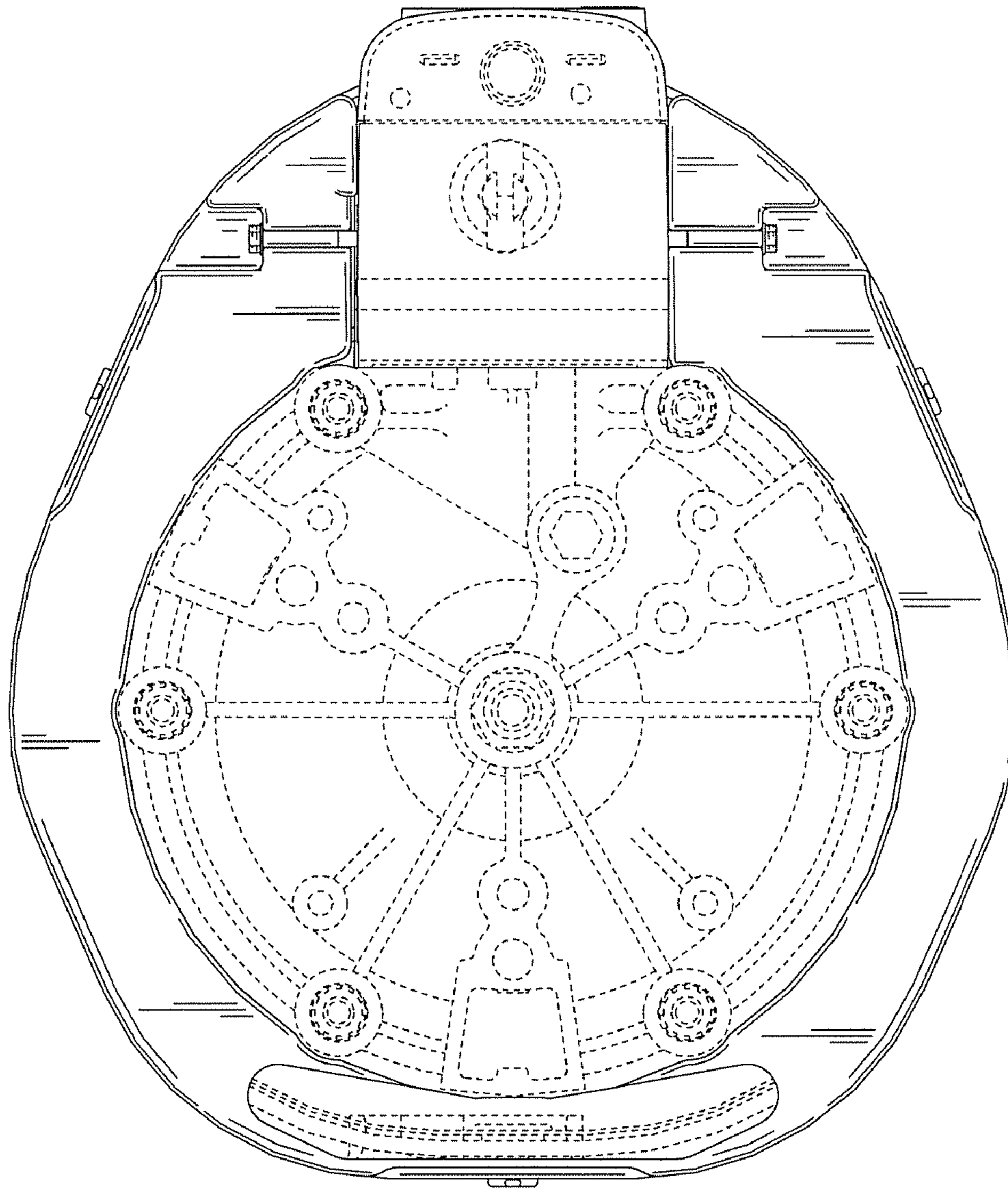


FIG. 7

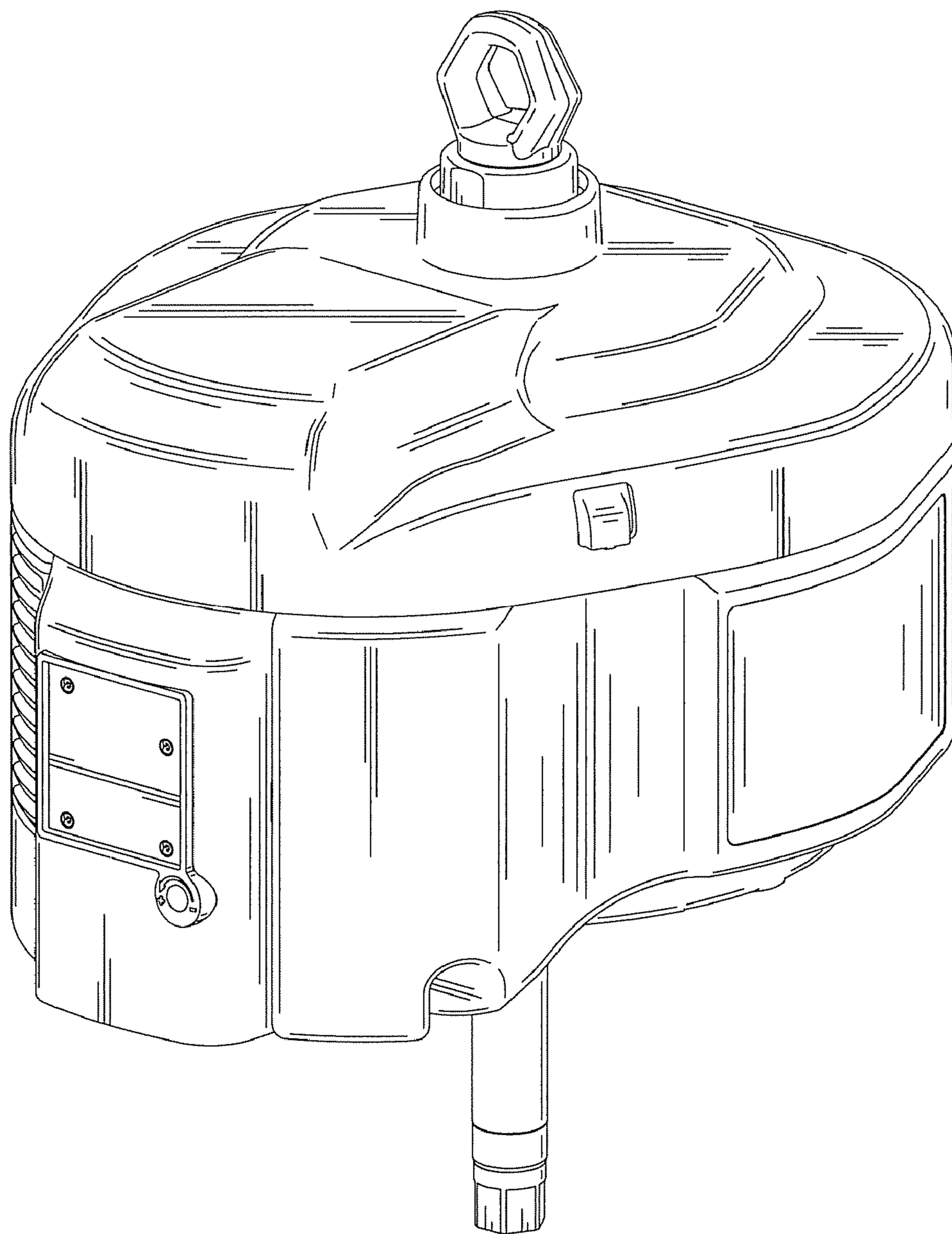


FIG. 8

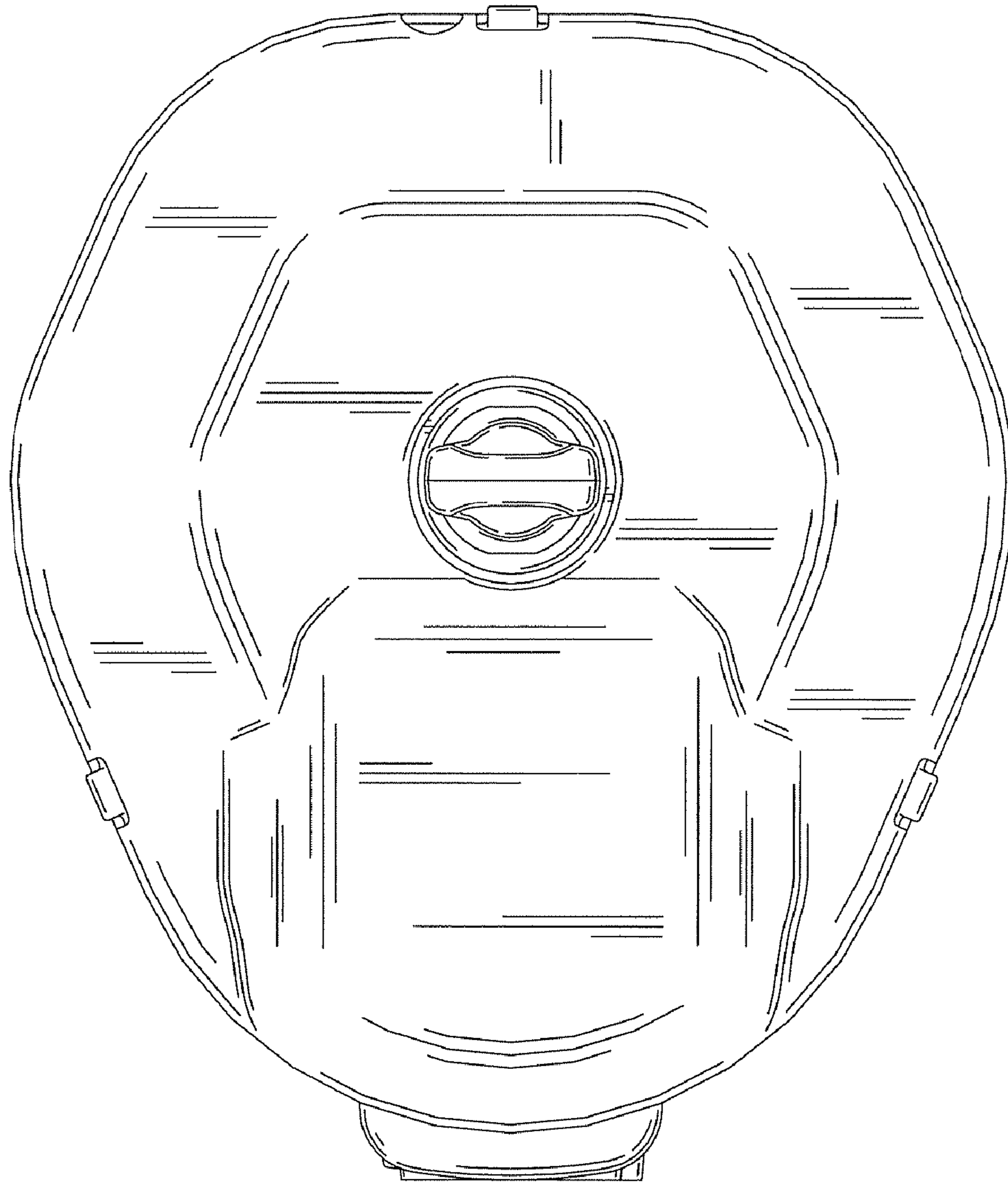


FIG. 9

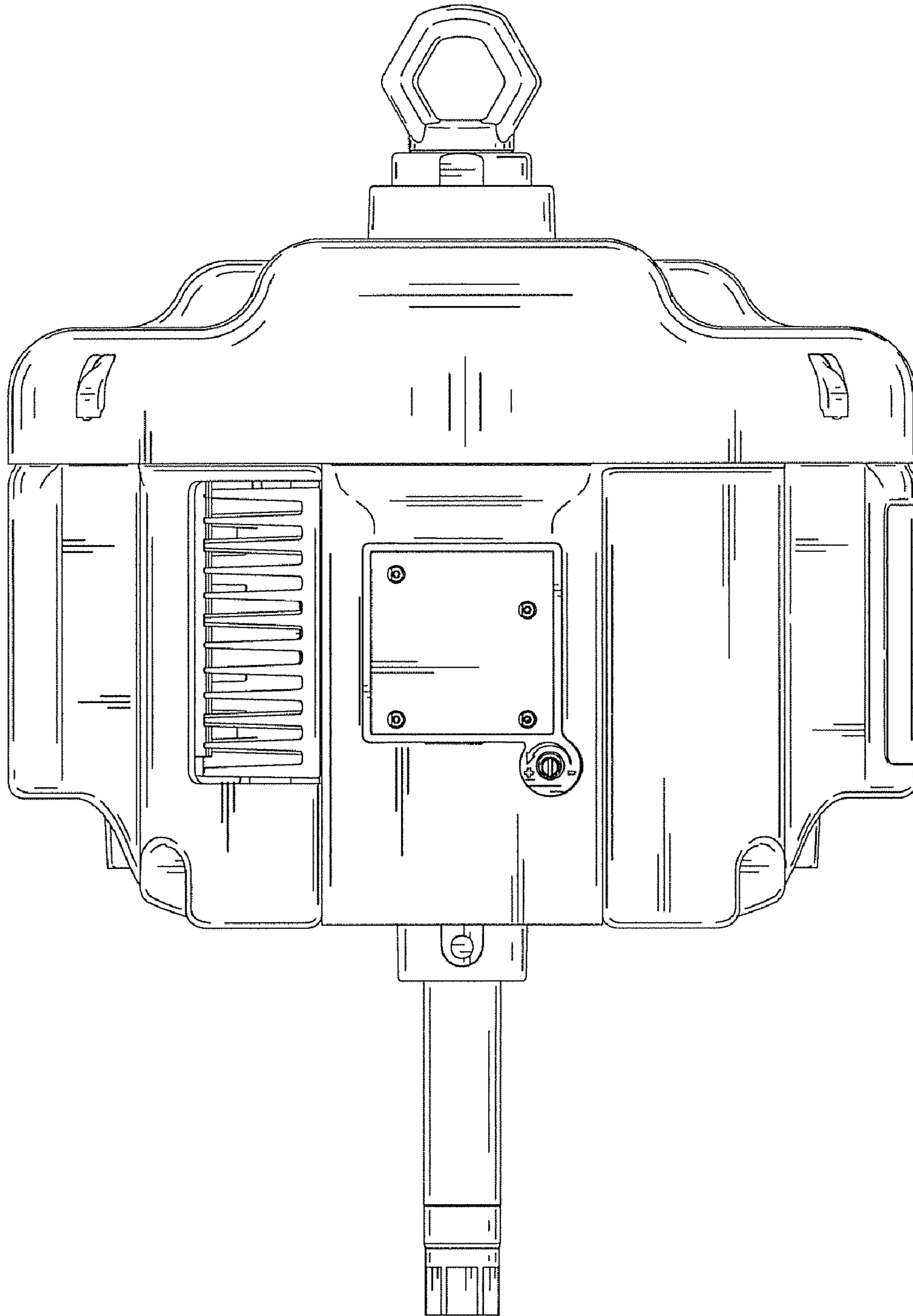


FIG. 10

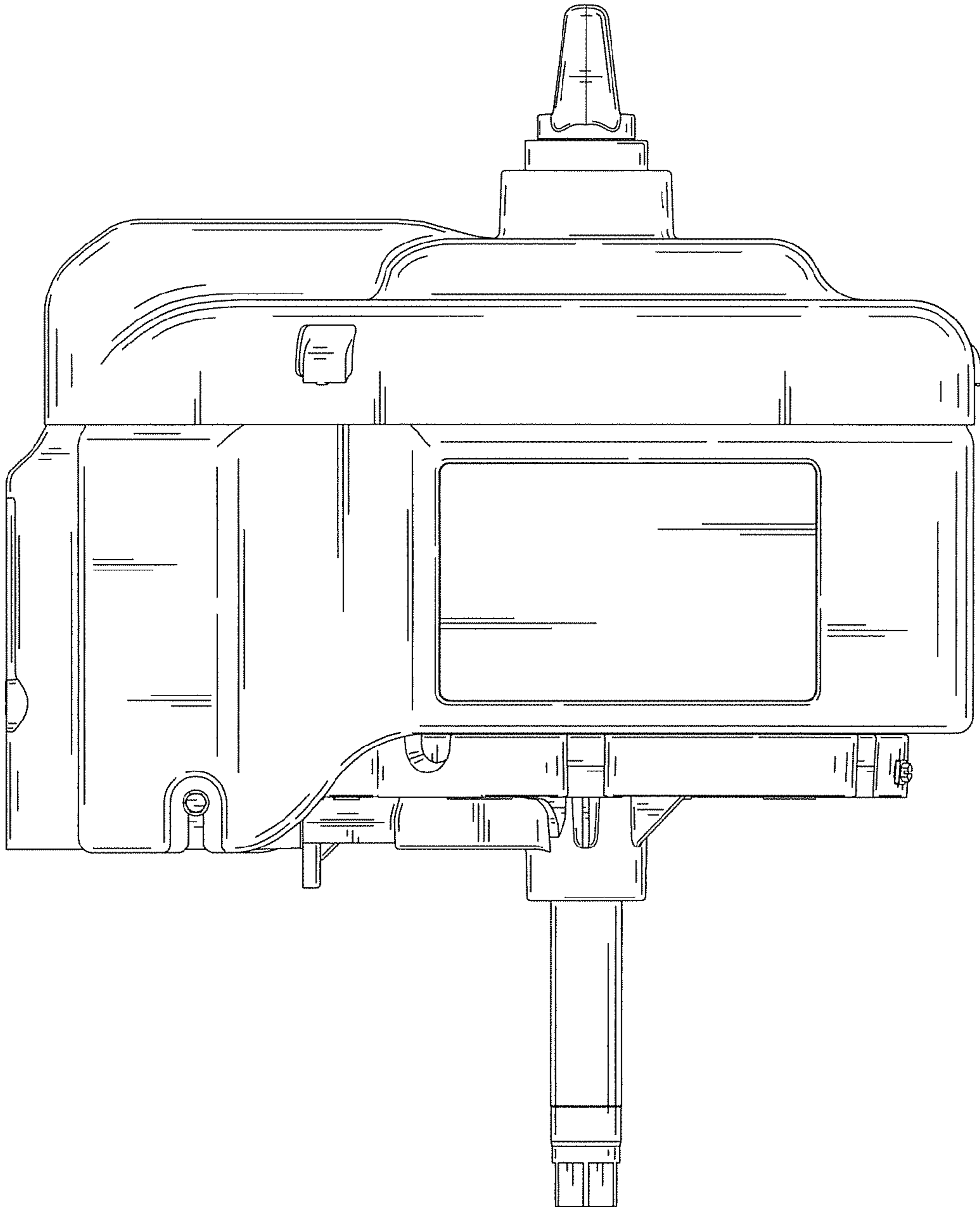


FIG. 11

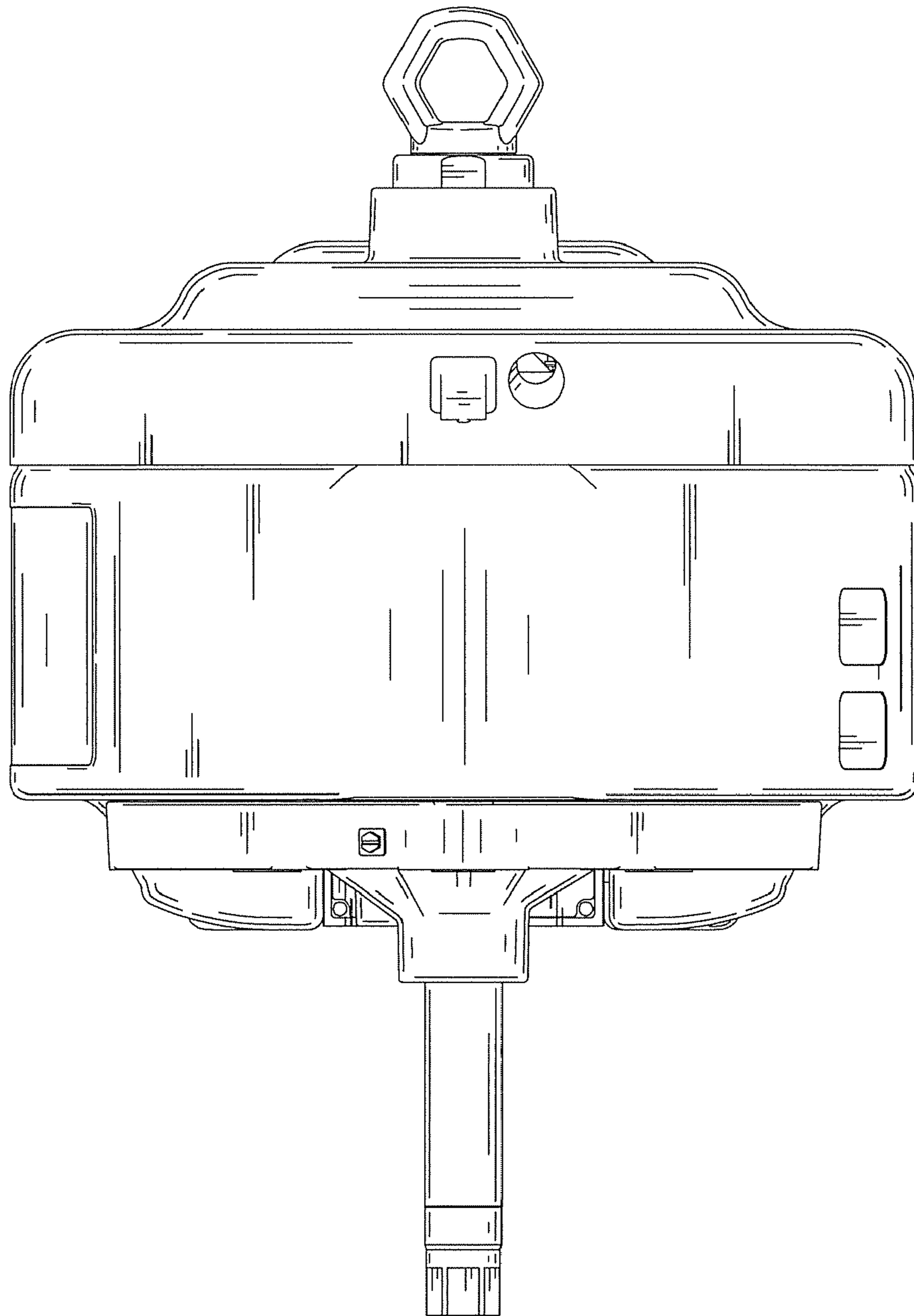


FIG. 12

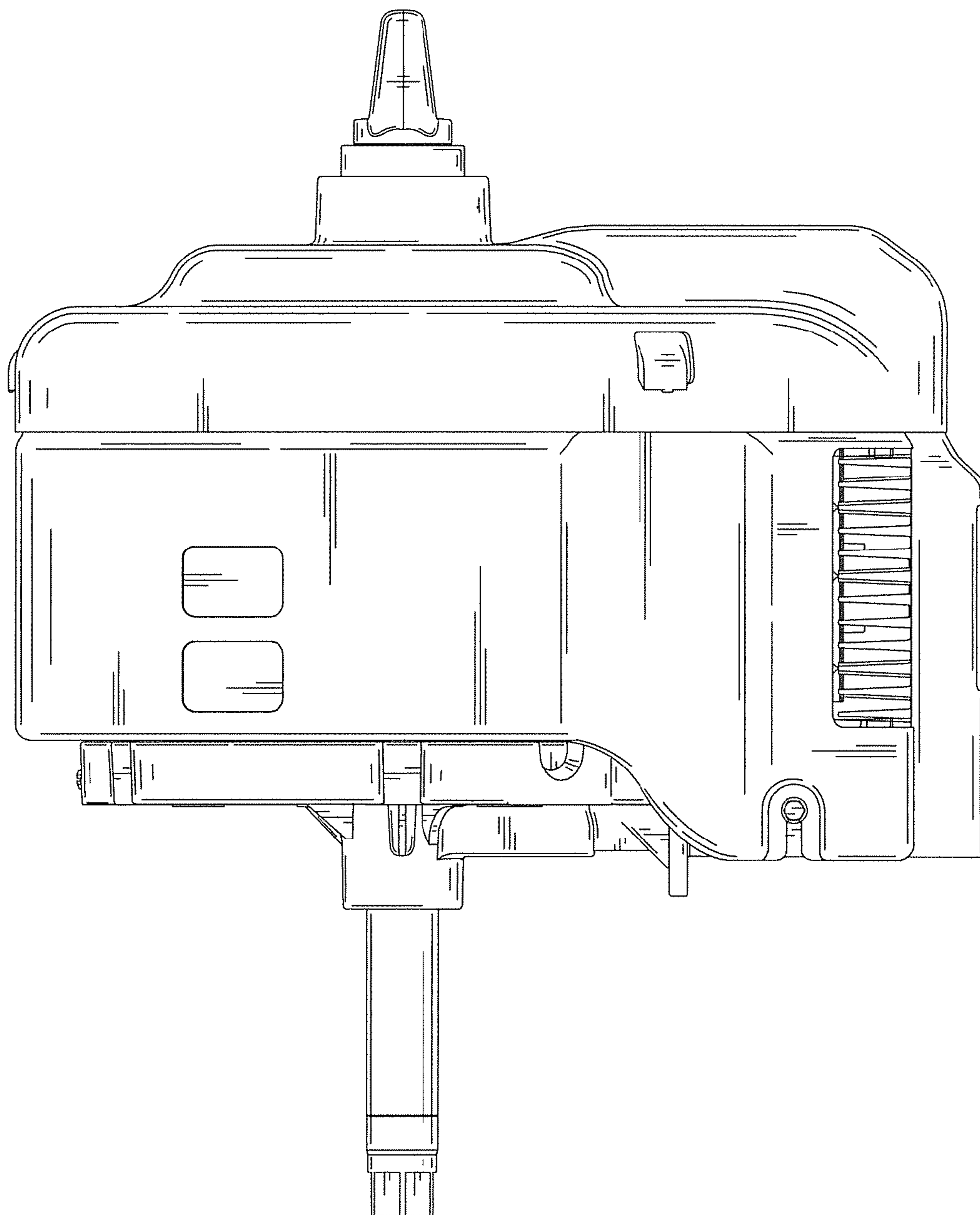


FIG. 13

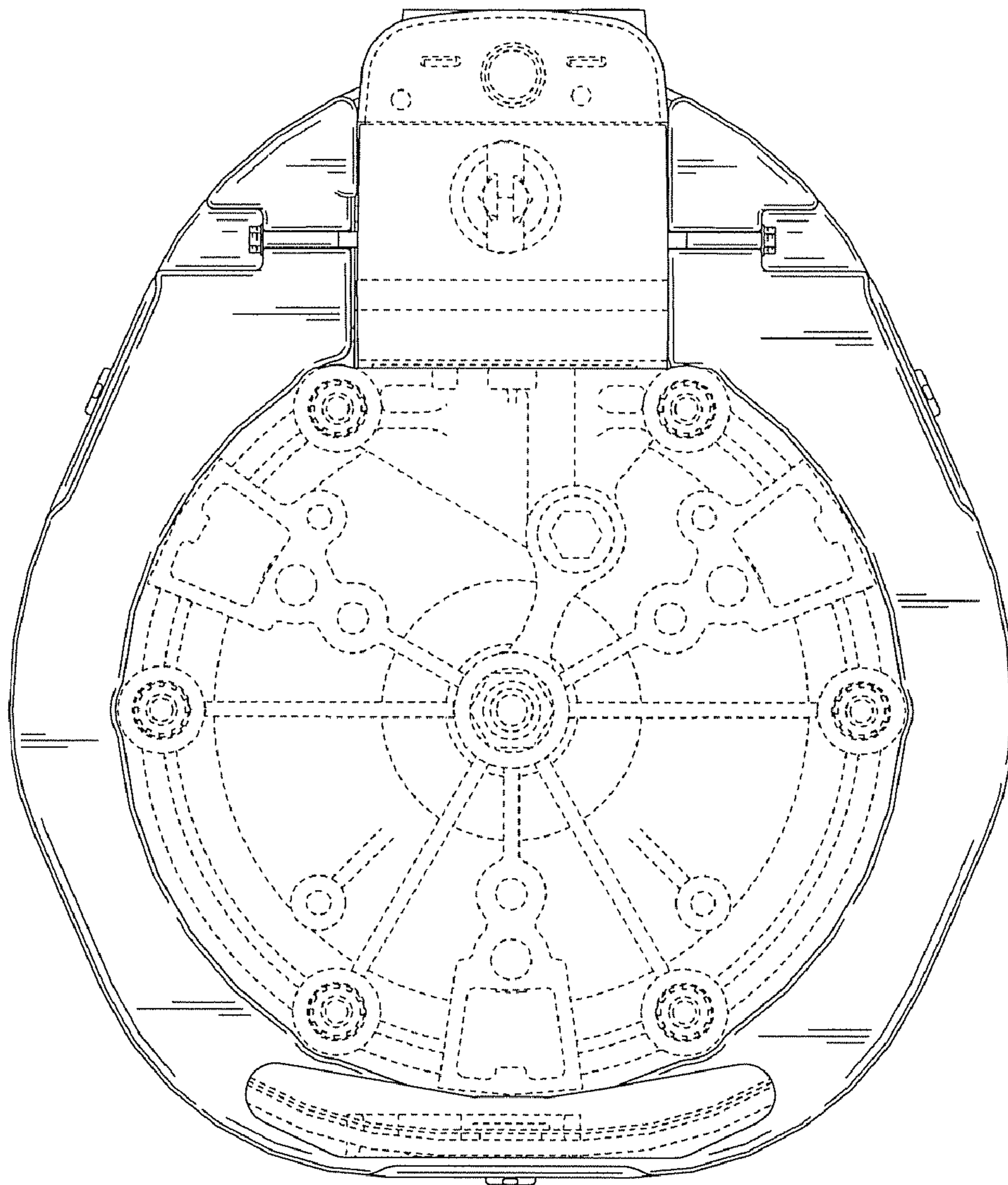


FIG. 14