



US00D589877S

(12) **United States Design Patent**  
**Wiegmann**

(10) **Patent No.:** **US D589,877 S**

(45) **Date of Patent:** **\*\* Apr. 7, 2009**

(54) **ACCUMULATOR**

(75) Inventor: **Martin Wiegmann**, Borstel (DE)

(73) Assignee: **Johnson Controls Hybrid and Recycling GmbH**, Hannover (DE)

(\*\*) Term: **14 Years**

(21) Appl. No.: **29/317,741**

(22) Filed: **May 6, 2008**

(30) **Foreign Application Priority Data**

Nov. 7, 2007 (DE) ..... 4 07 05 526

(51) **LOC (9) Cl.** ..... **13-02**

(52) **U.S. Cl.** ..... **D13/110**

(58) **Field of Classification Search** ..... D13/110,  
D13/107, 123, 184, 199; 307/151; 337/186;  
361/601; 363/142; 439/716, 717

See application file for complete search history.

(56) **References Cited**

**U.S. PATENT DOCUMENTS**

- D250,790 S \* 1/1979 Scheiter et al. .... D20/9
- D349,682 S \* 8/1994 Hunziker ..... D13/110
- D365,082 S \* 12/1995 Cook et al. .... D13/110
- 6,328,612 B1 \* 12/2001 Chung ..... 439/717

D510,319 S \* 10/2005 Tuomola et al. .... D13/110

\* cited by examiner

*Primary Examiner*—Prabhakar Deshmukh

*Assistant Examiner*—Derrick Holland

(74) *Attorney, Agent, or Firm*—Whitham, Curtis, Christofferson & Cook, PC

(57) **CLAIM**

The ornamental design for an accumulator, as shown and described.

**DESCRIPTION**

FIG. 1 is a perspective view of an accumulator showing my new design;

FIG. 2 is a top view thereof;

FIG. 3 is a bottom view thereof;

FIG. 4 is a front view thereof;

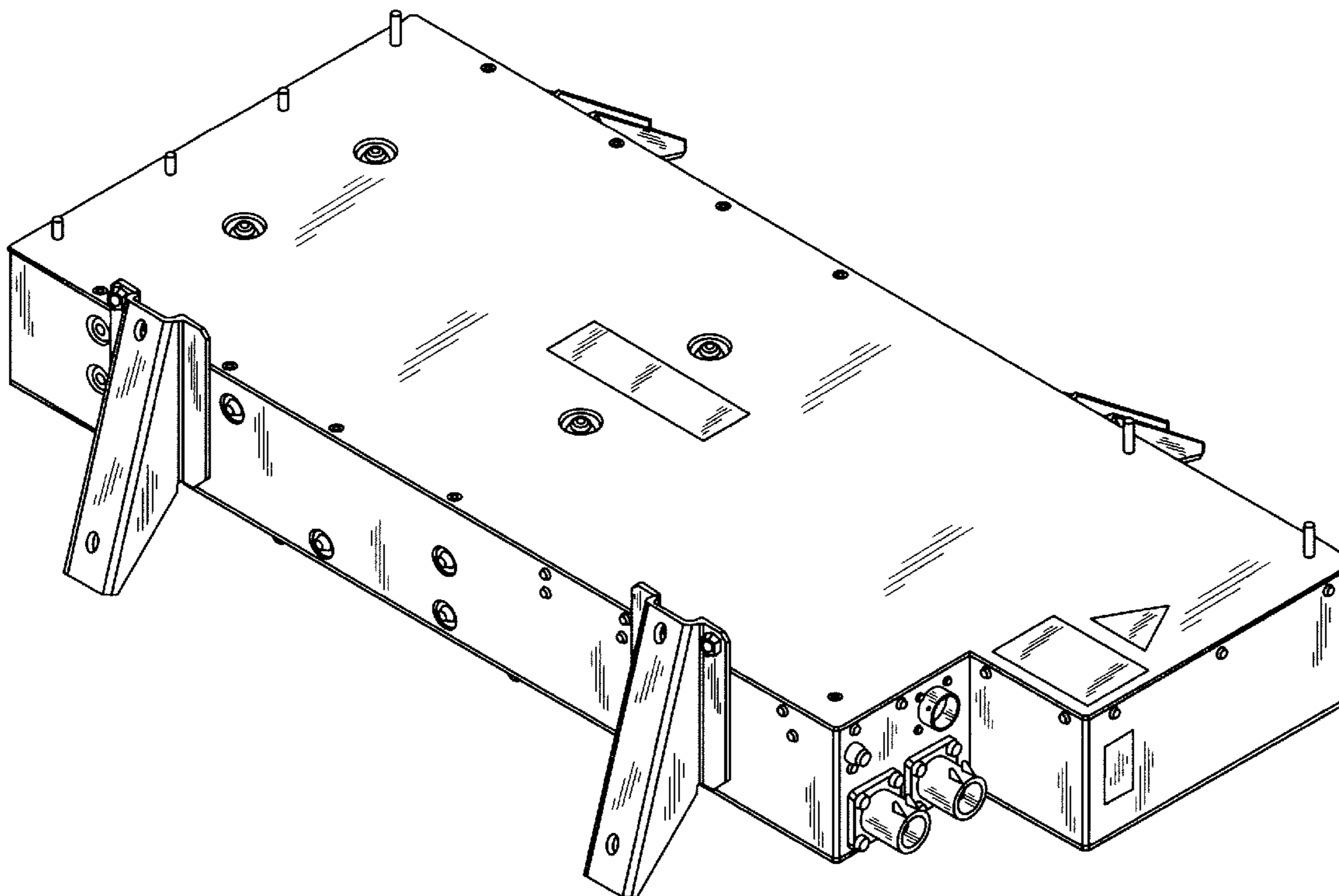
FIG. 5 is a rear view thereof;

FIG. 6 is a right side view thereof; and,

FIG. 7 is a left side view thereof.

The broken lines shown in the drawing views represent unclaimed subject matter and form no part of the claimed design.

**1 Claim, 7 Drawing Sheets**



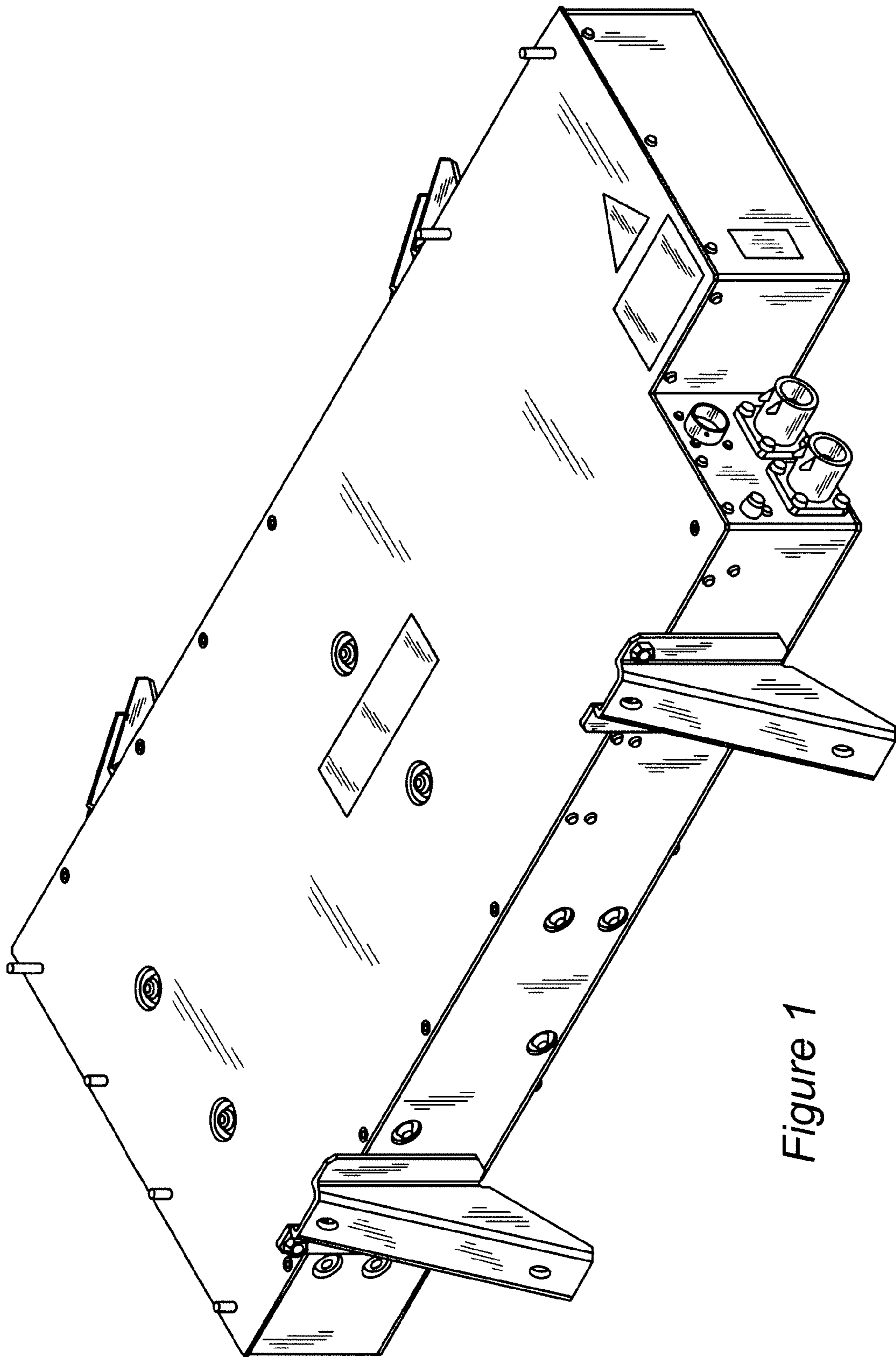


Figure 1

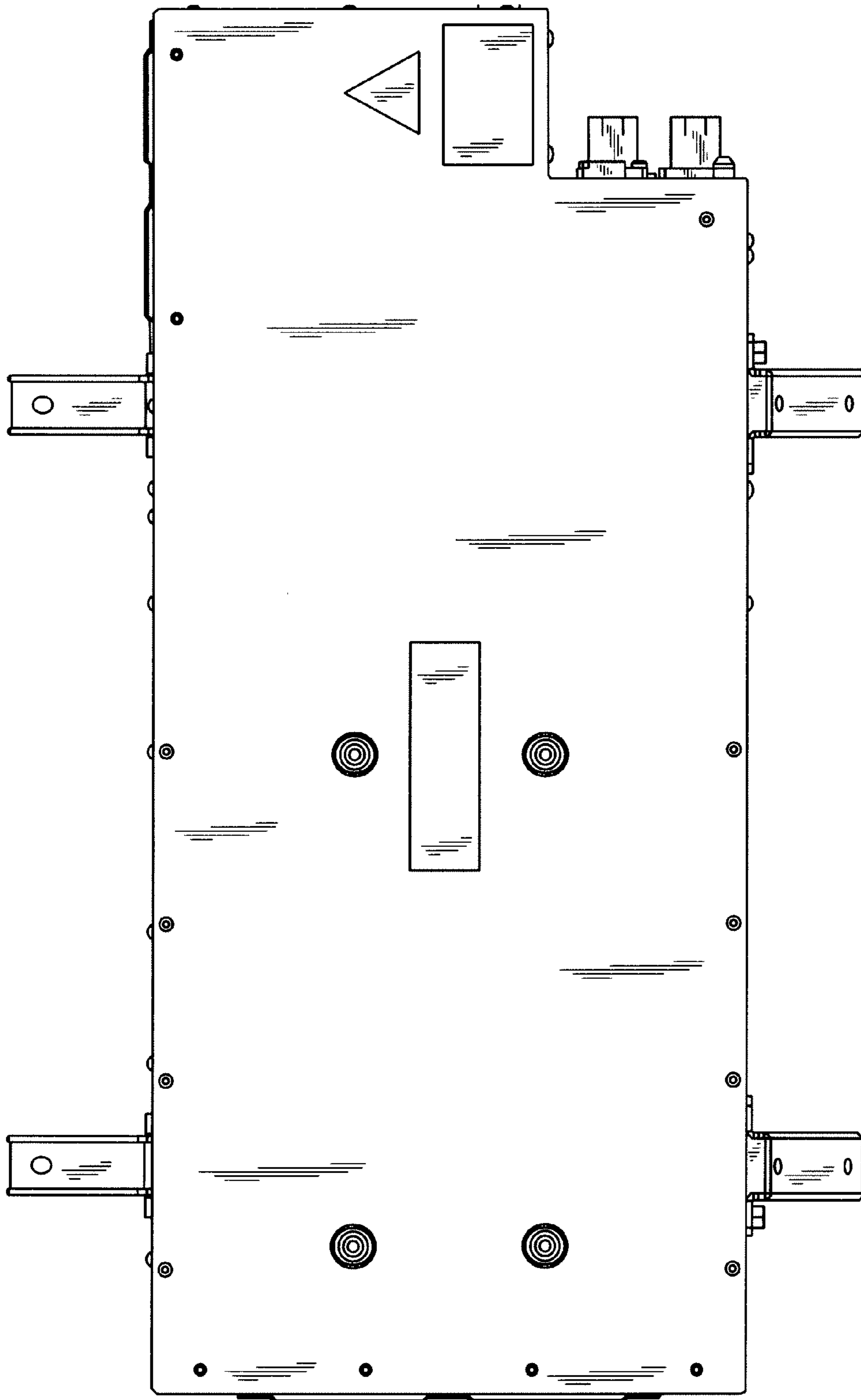


Figure 2

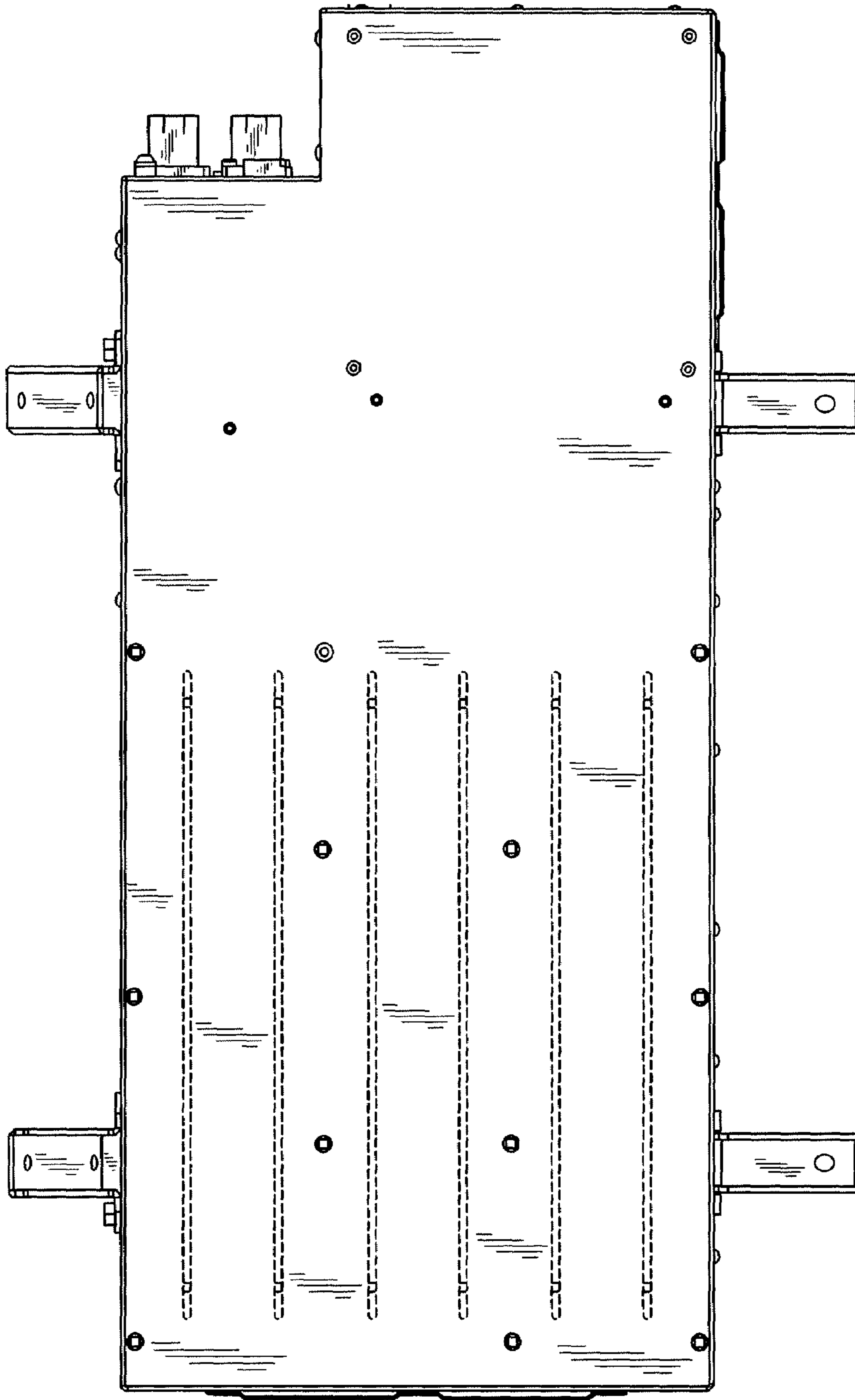


Figure 3

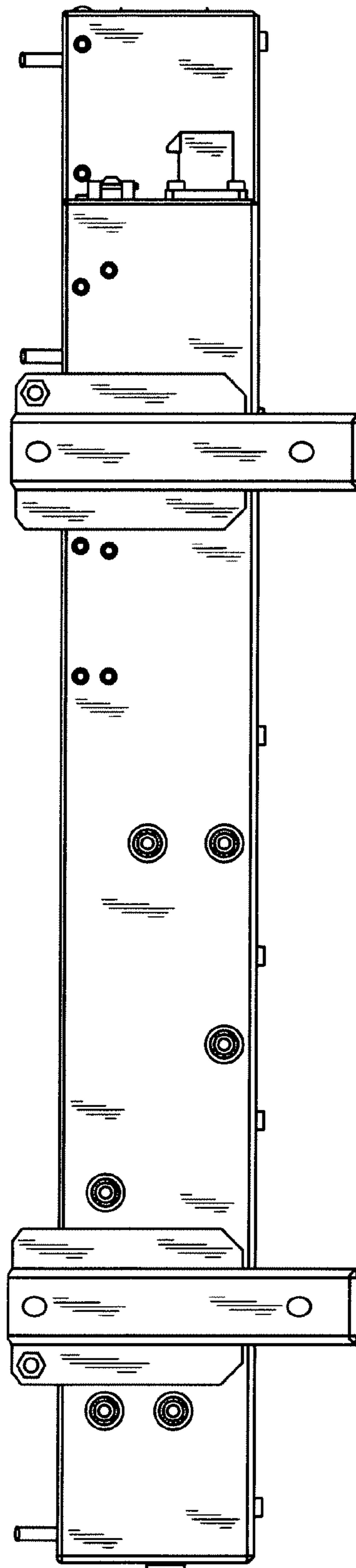


Figure 4

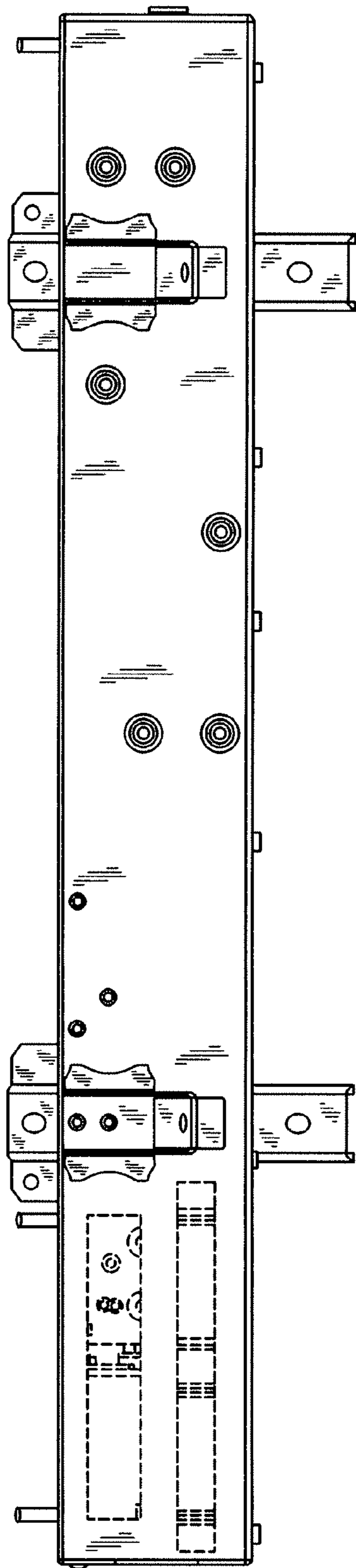


Figure 5

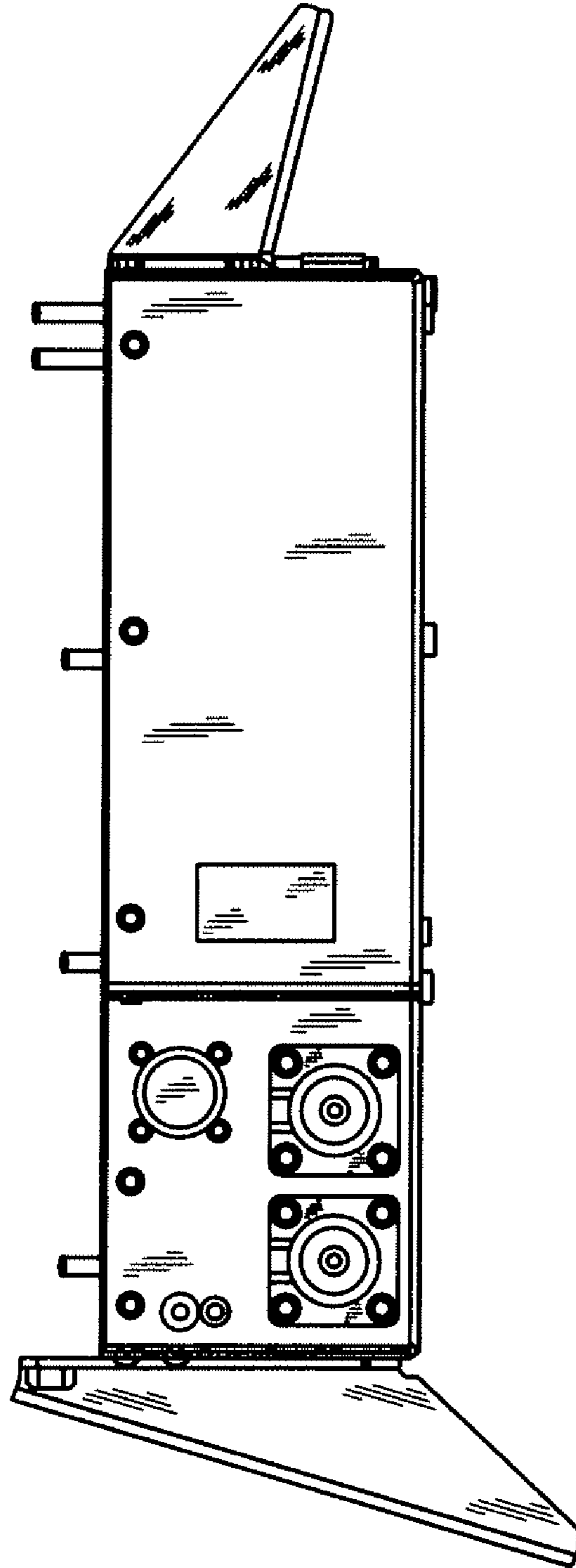


Figure 6

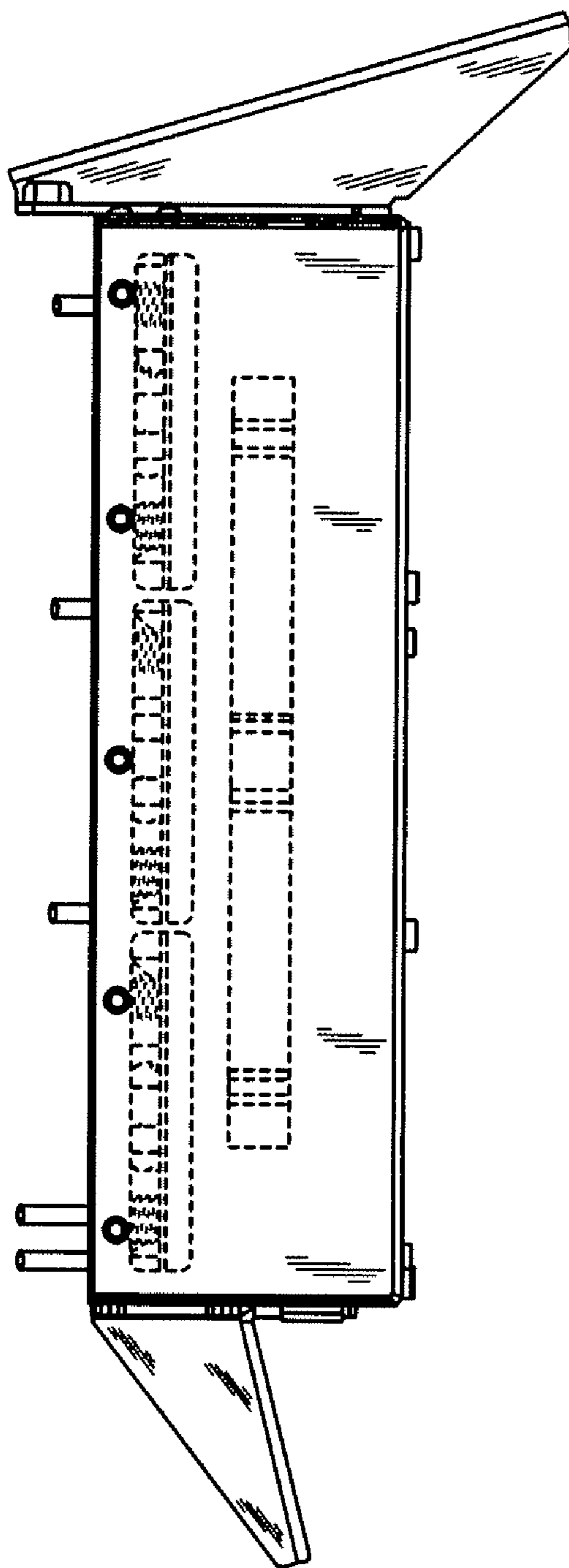


Figure 7