



US00D589873S

(12) **United States Design Patent**  
**Banks**

(10) **Patent No.:** **US D589,873 S**

(45) **Date of Patent:** **\*\* Apr. 7, 2009**

(54) **BEVERAGE HOLDER FOR MOTORCYCLE**

(76) Inventor: **Harvey Dean Banks**, Route 1, Box  
122A, Sweetwater, OK (US) 73666

(\*\*) Term: **14 Years**

(21) Appl. No.: **29/318,831**

(22) Filed: **May 29, 2008**

(51) **LOC (9) Cl.** ..... **12-11**

(52) **U.S. Cl.** ..... **D12/411**

(58) **Field of Classification Search** ..... D12/411,  
D12/110, 111, 223, 114, 159, 160; 280/288.4,  
280/304.5, 25, 47.15, 47.22, 65, 79, 787,  
280/124.164, 124.179, 172, 184; 180/219;  
224/412-414, 419, 420-431, 447-451, 461,  
224/462, 42.11, 547, 926; D8/373, 499;  
D7/601, 602, 701, 702, 704; 248/153, 154,  
248/175, 176.1, 311.2; 220/743; 211/74,  
211/85.18, 85.31, 181.1; D6/462; D21/424,  
D21/433

See application file for complete search history.

(56) **References Cited**

**U.S. PATENT DOCUMENTS**

3,734,439 A \* 5/1973 Wintz ..... 248/224.51  
3,744,688 A \* 7/1973 Kezer ..... 224/442  
4,071,214 A \* 1/1978 Reidy ..... 248/211

4,614,333 A \* 9/1986 Gaylord ..... 267/287  
4,948,080 A 8/1990 Jack  
5,092,568 A \* 3/1992 Tachikawa et al. .... 267/179  
6,273,391 B1 \* 8/2001 Engolia ..... 248/539  
6,505,802 B2 1/2003 Fowler  
6,761,372 B2 \* 7/2004 Bryant ..... 280/124.179  
6,942,131 B2 \* 9/2005 Trautman et al. .... 224/414  
7,090,183 B2 8/2006 Heybl et al.  
2007/0120303 A1 \* 5/2007 Rhein ..... 267/286

\* cited by examiner

*Primary Examiner*—Robin V Webster

*Assistant Examiner*—Linda Brooks

(57) **CLAIM**

The ornamental design for a beverage holder for motorcycle,  
as shown and described.

**DESCRIPTION**

FIG. 1 is a top side perspective view showing the new design;

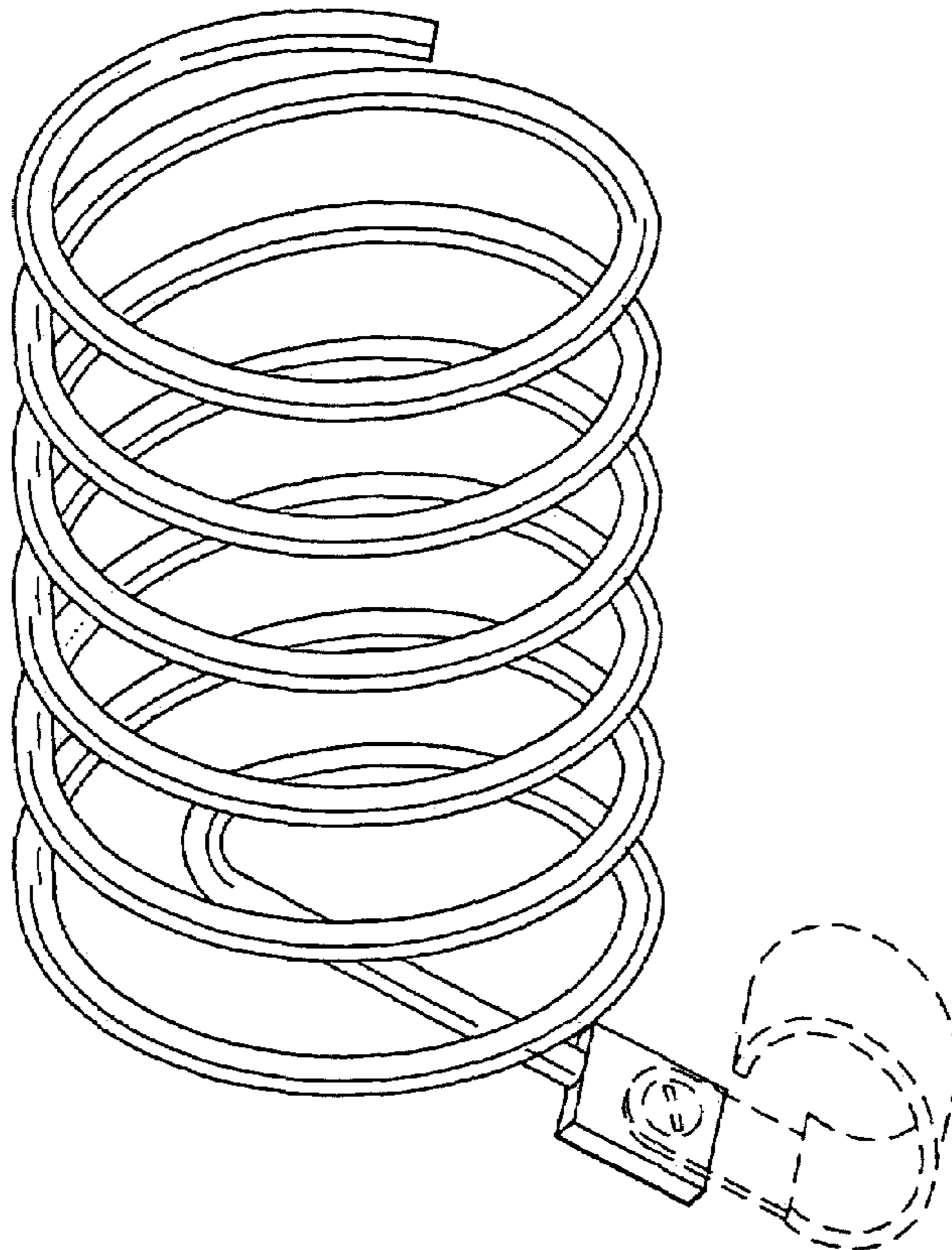
FIG. 2 is a top view thereof;

FIG. 3 is a side view thereof; and,

FIG. 4 is a bottom side view thereof.

The broken line showing of the handle bar clamp and screw  
mechanism is included for the purpose of illustrating portions  
of the beverage holder for motorcycle and forms no part of the  
claimed design.

**1 Claim, 2 Drawing Sheets**



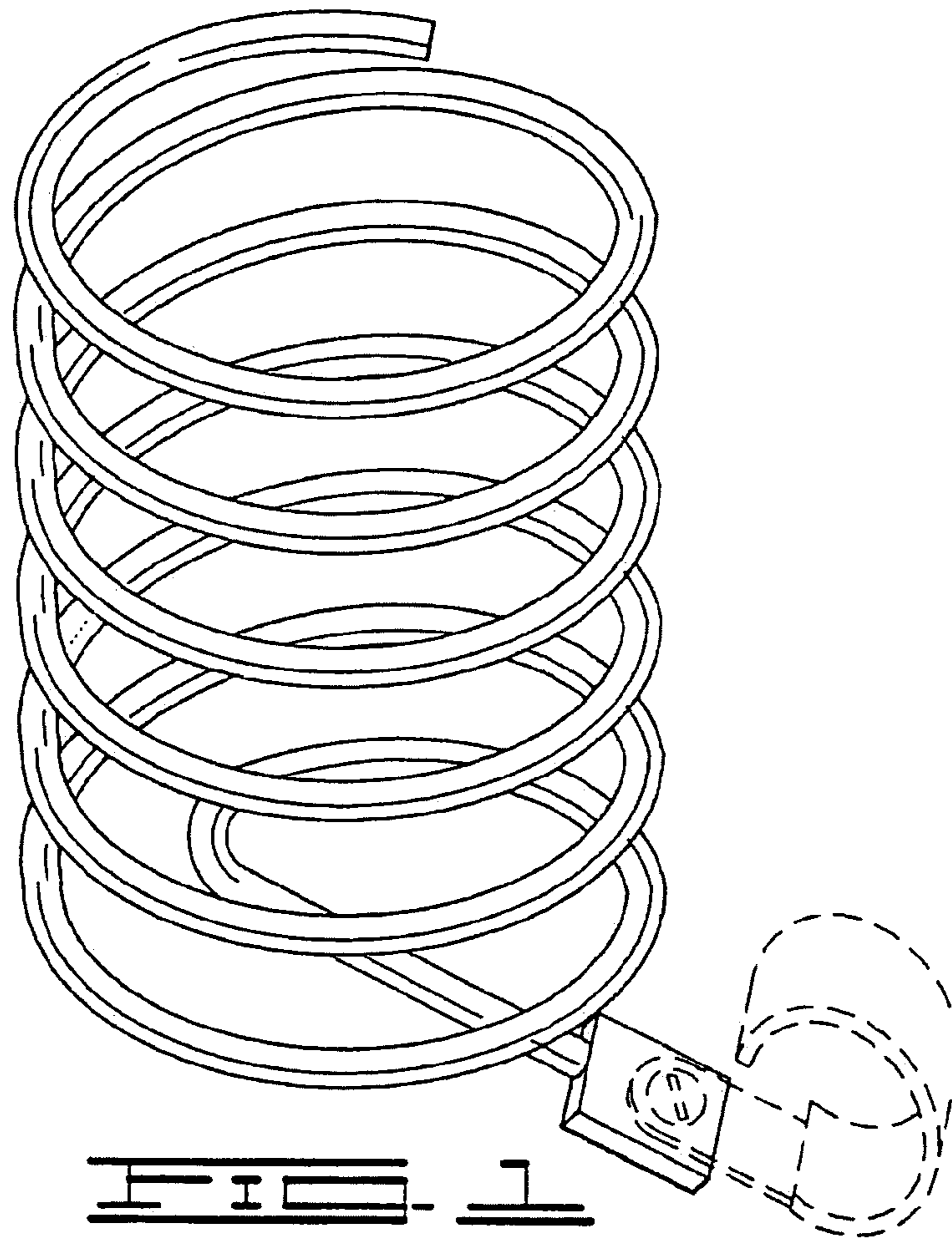


FIG. 1

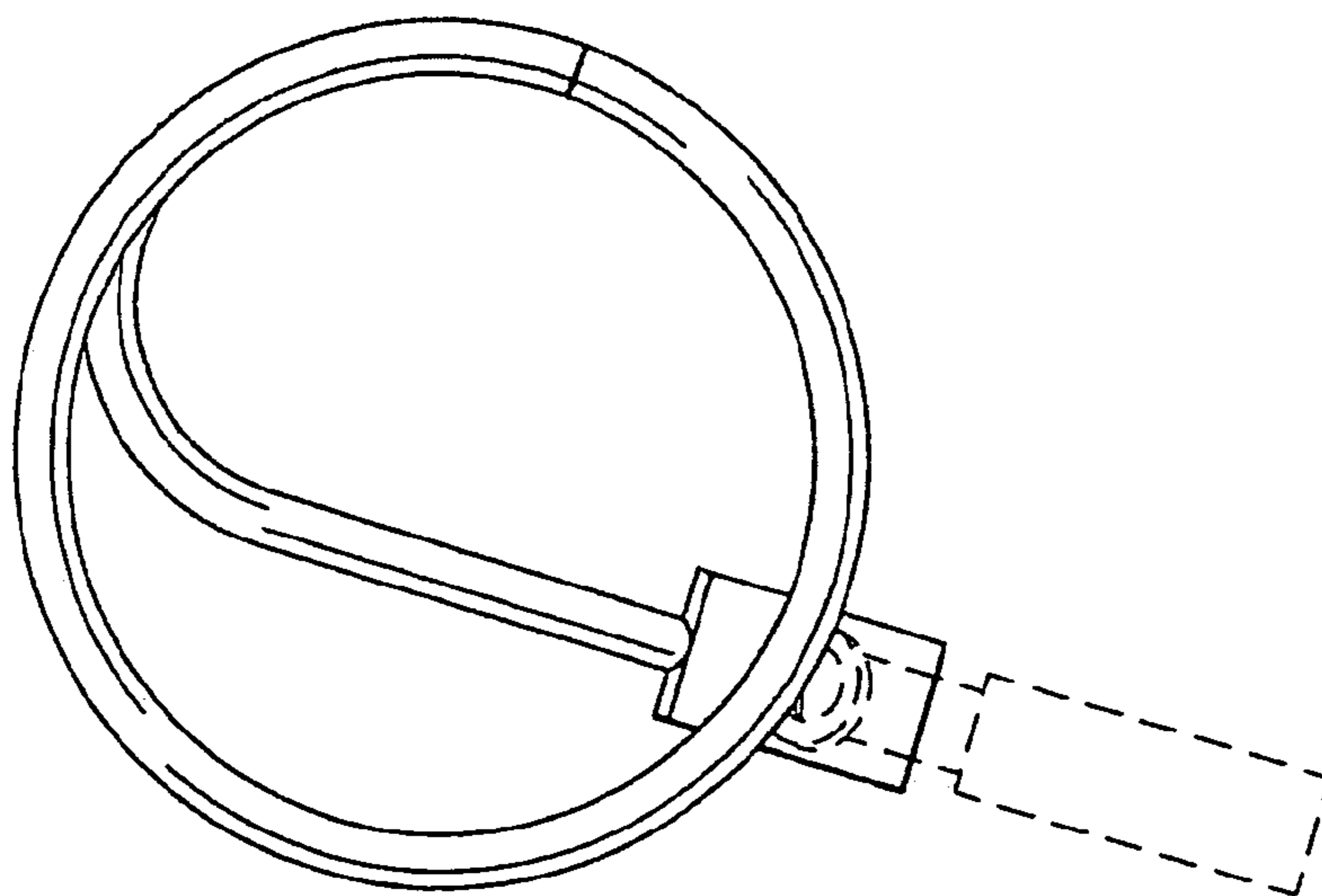


FIG. 2

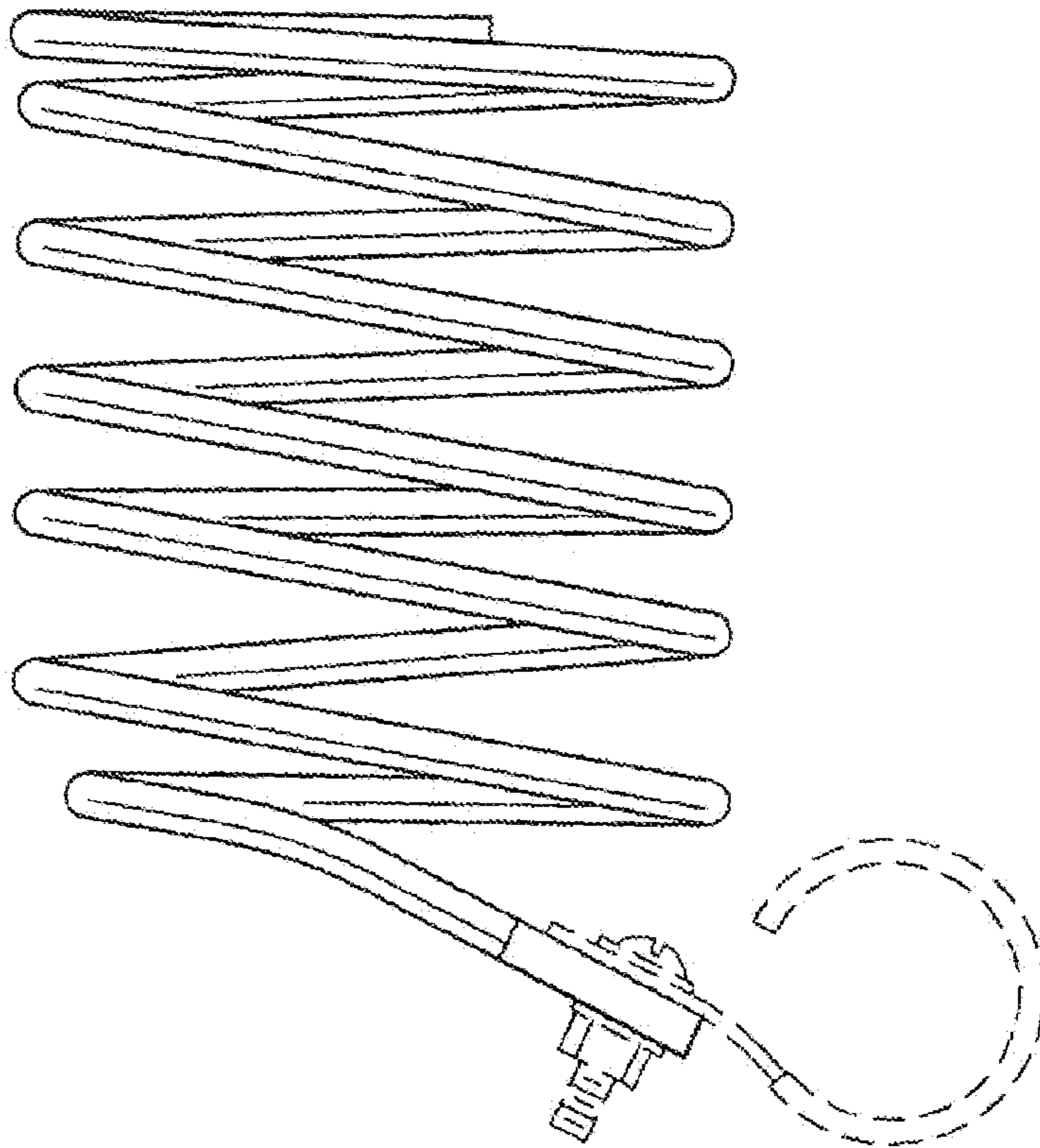


FIG. 3

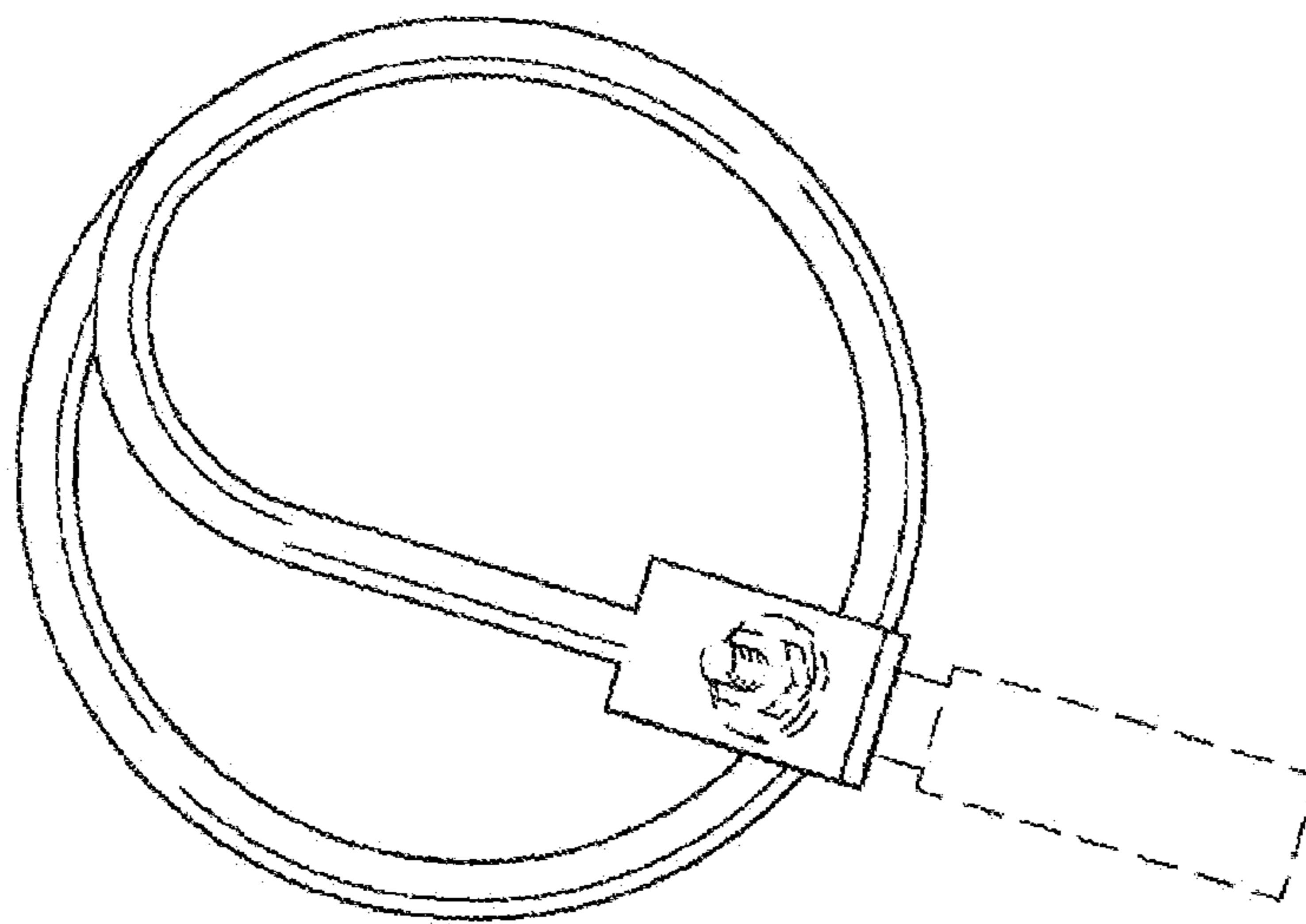


FIG. 4