



US00D589871S

(12) **United States Design Patent**
Bock

(10) **Patent No.:** **US D589,871 S**

(45) **Date of Patent:** **** Apr. 7, 2009**

(54) **AIRCRAFT OVERHEAD BAGGAGE COMPARTMENT**

(75) Inventor: **Thomas-Mathias Bock**, Grenade sur Garonne (FR)

(73) Assignee: **Airbus SAS**, Blagnac Cedex (FR)

(**) Term: **14 Years**

(21) Appl. No.: **29/281,302**

(22) Filed: **Jun. 20, 2007**

(51) **LOC (9) Cl.** **12-07**

(52) **U.S. Cl.** **D12/345**

(58) **Field of Classification Search** D12/317, D12/319, 345, 400, 415, 418, 423; 244/118.1, 244/188.5; 296/24.3, 24.34, 37.7, 37.8, 37.13
See application file for complete search history.

(56) **References Cited**

U.S. PATENT DOCUMENTS

5,441,218	A *	8/1995	Mueller et al.	244/118.1
5,687,929	A *	11/1997	Hart et al.	244/118.1
5,820,076	A *	10/1998	Schumacher et al.	244/118.5
D457,480	S *	5/2002	Natsume et al.	D12/345
6,398,163	B1 *	6/2002	Welch et al.	244/118.1
6,802,478	B2 *	10/2004	Katori	244/118.1
6,886,781	B2 *	5/2005	Lau et al.	244/118.1
D540,738	S *	4/2007	Hatch	D12/415
D543,931	S *	6/2007	Hatch	D12/423
D548,672	S *	8/2007	Hatch	D12/423

* cited by examiner

Primary Examiner—Ian Simmons

Assistant Examiner—Dana L Sipos

(74) *Attorney, Agent, or Firm*—Osler, Hoskin & Harcourt LLP

(57) **CLAIM**

The ornamental design for an aircraft overhead baggage compartment, as shown and described.

DESCRIPTION

FIG. 1 is a bottom, front, left side perspective view of an aircraft overhead baggage compartment according to my design;

FIG. 2 is a Front elevation view thereof, shown at an enlarged scale;

FIG. 3 is a rear elevation view thereof;

FIG. 4 is a right side elevation view thereof, the left side elevation view being a mirror image;

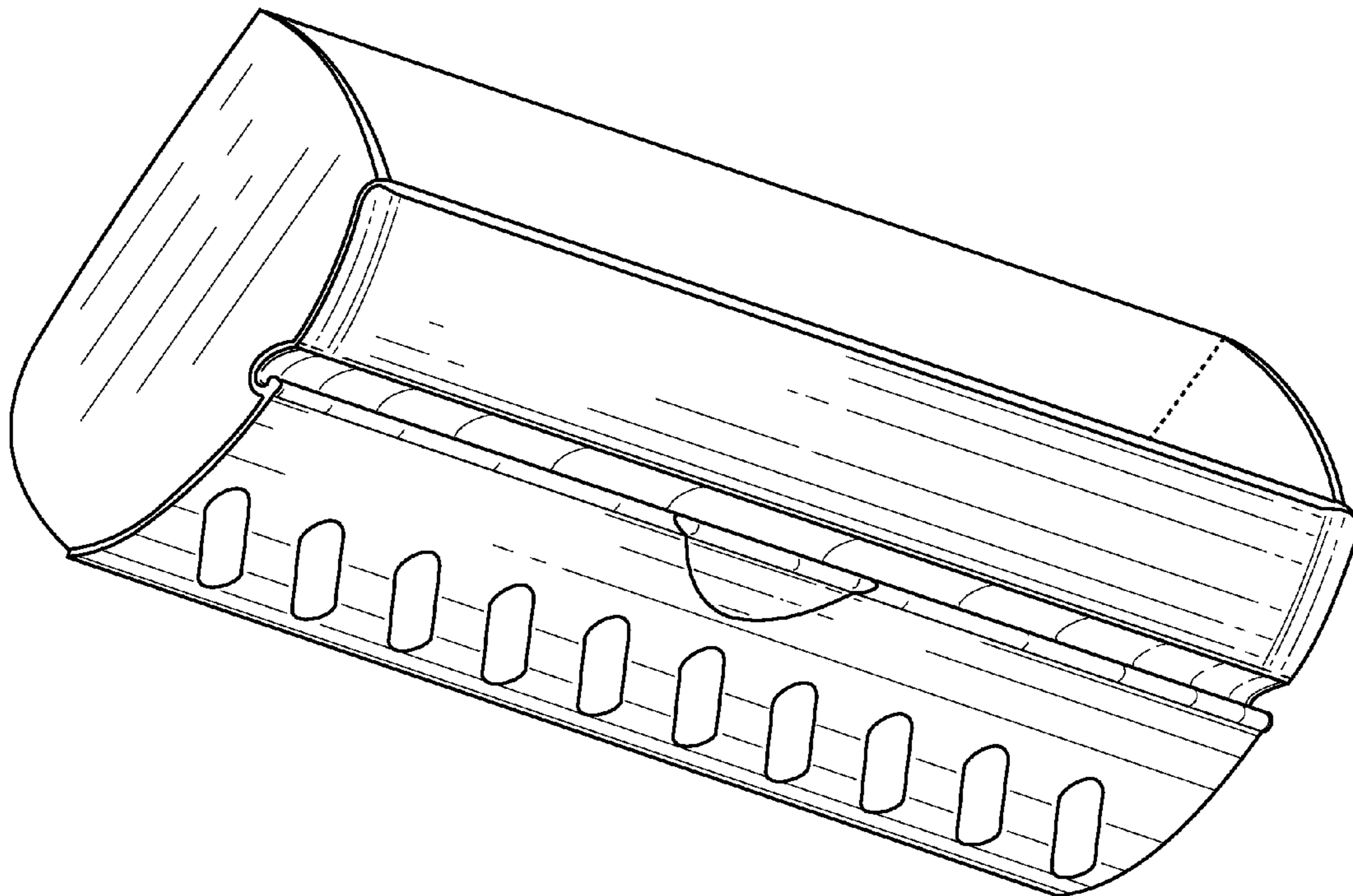
FIG. 5 is a top plan view thereof;

FIG. 6 is a bottom plan view thereof; and,

FIG. 7 is a bottom, front, left side perspective view of the aircraft overhead baggage compartment in use.

Portions of the article not shown in the drawings form no part of the claimed design. Throughout the Figures, broken lines showing environment or structure are for illustrative purposes only and form no part of the claimed design.

1 Claim, 7 Drawing Sheets



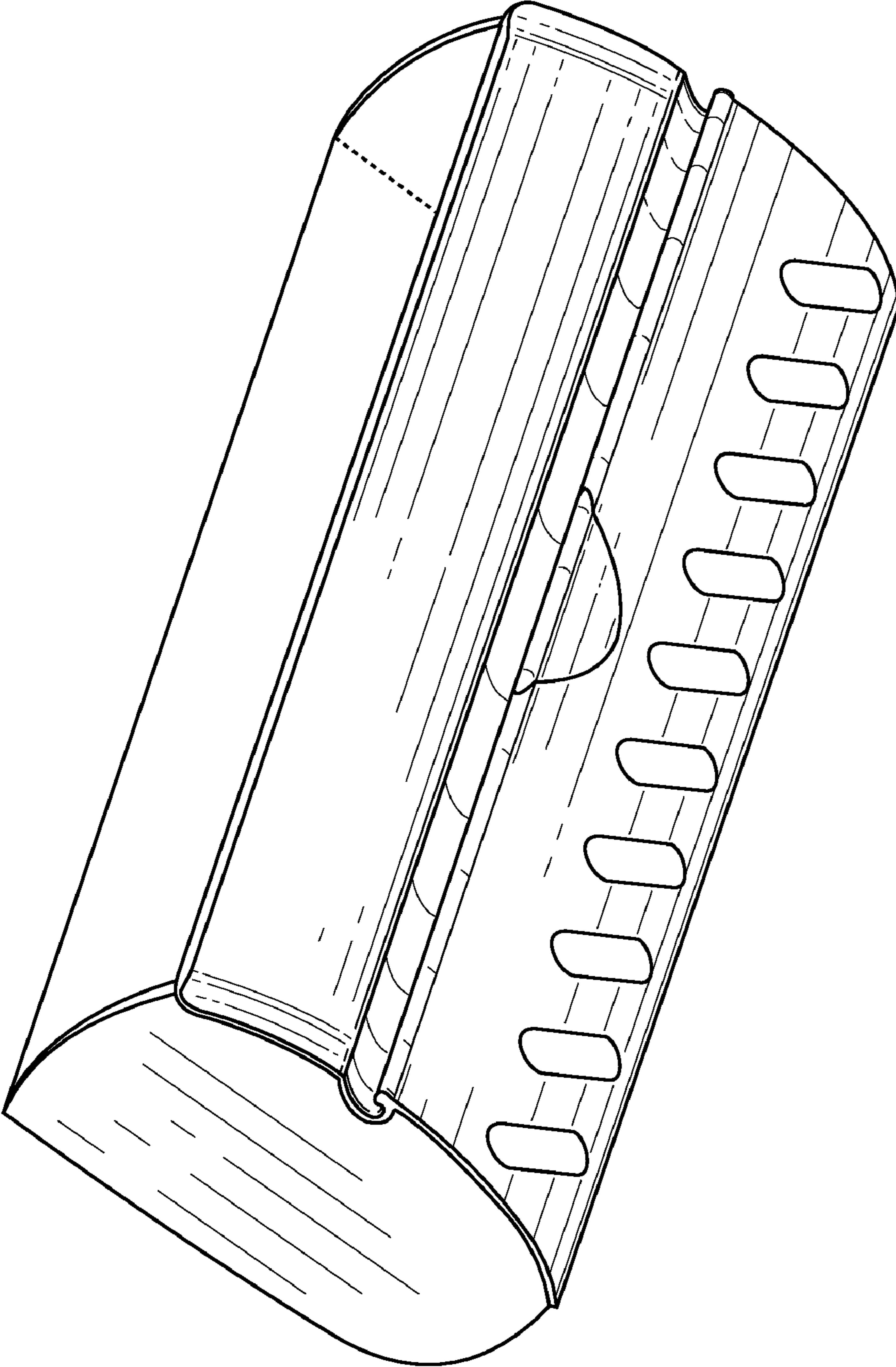


FIG. 1

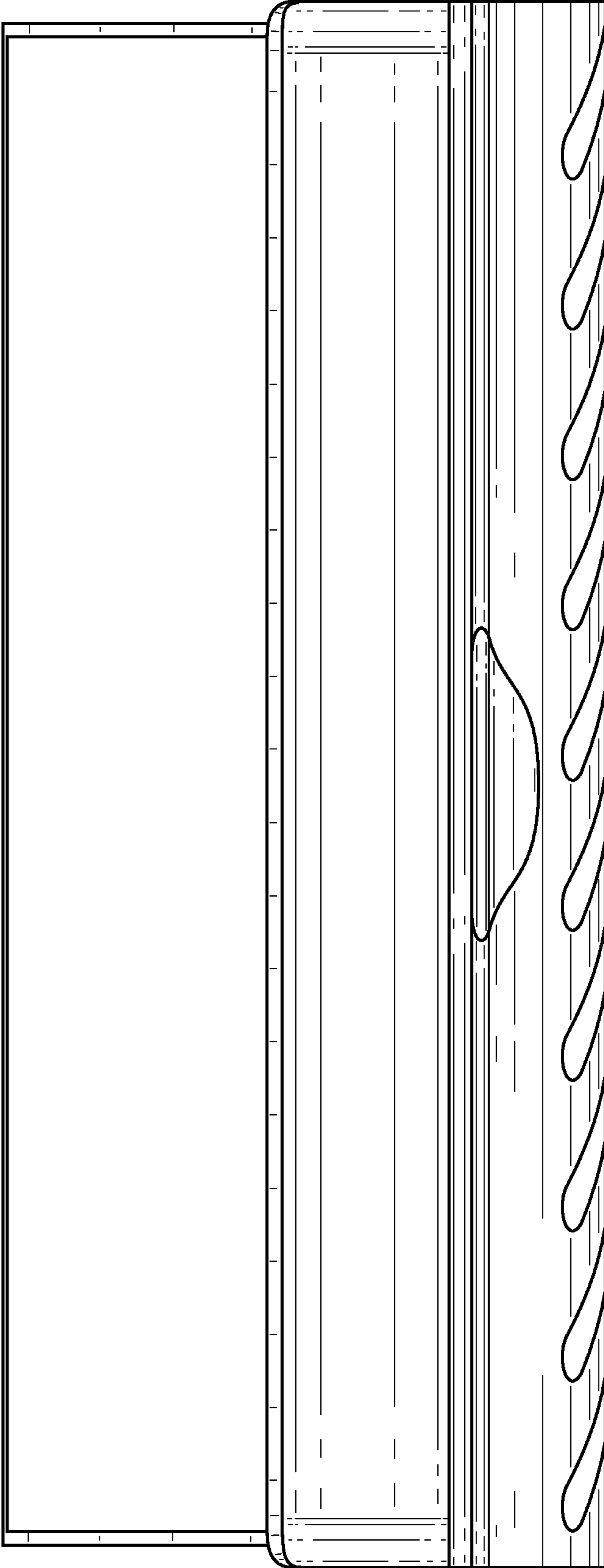


FIG. 2

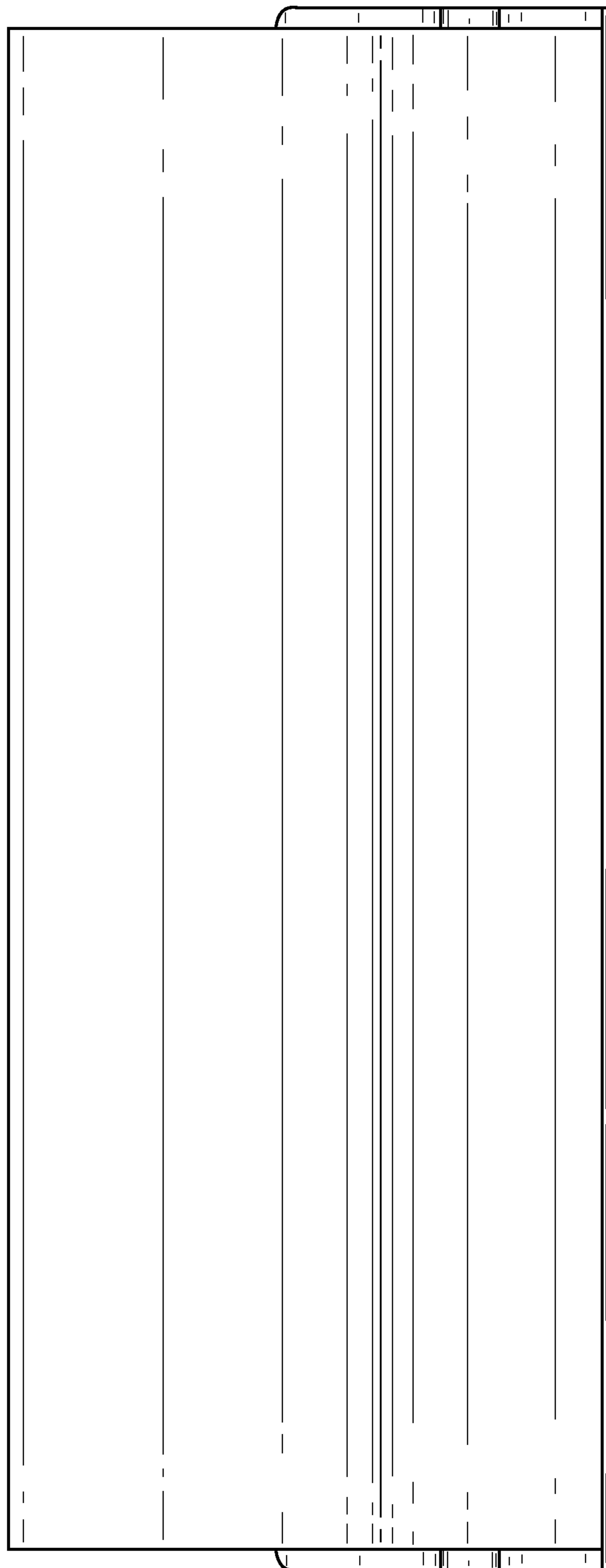


FIG. 3

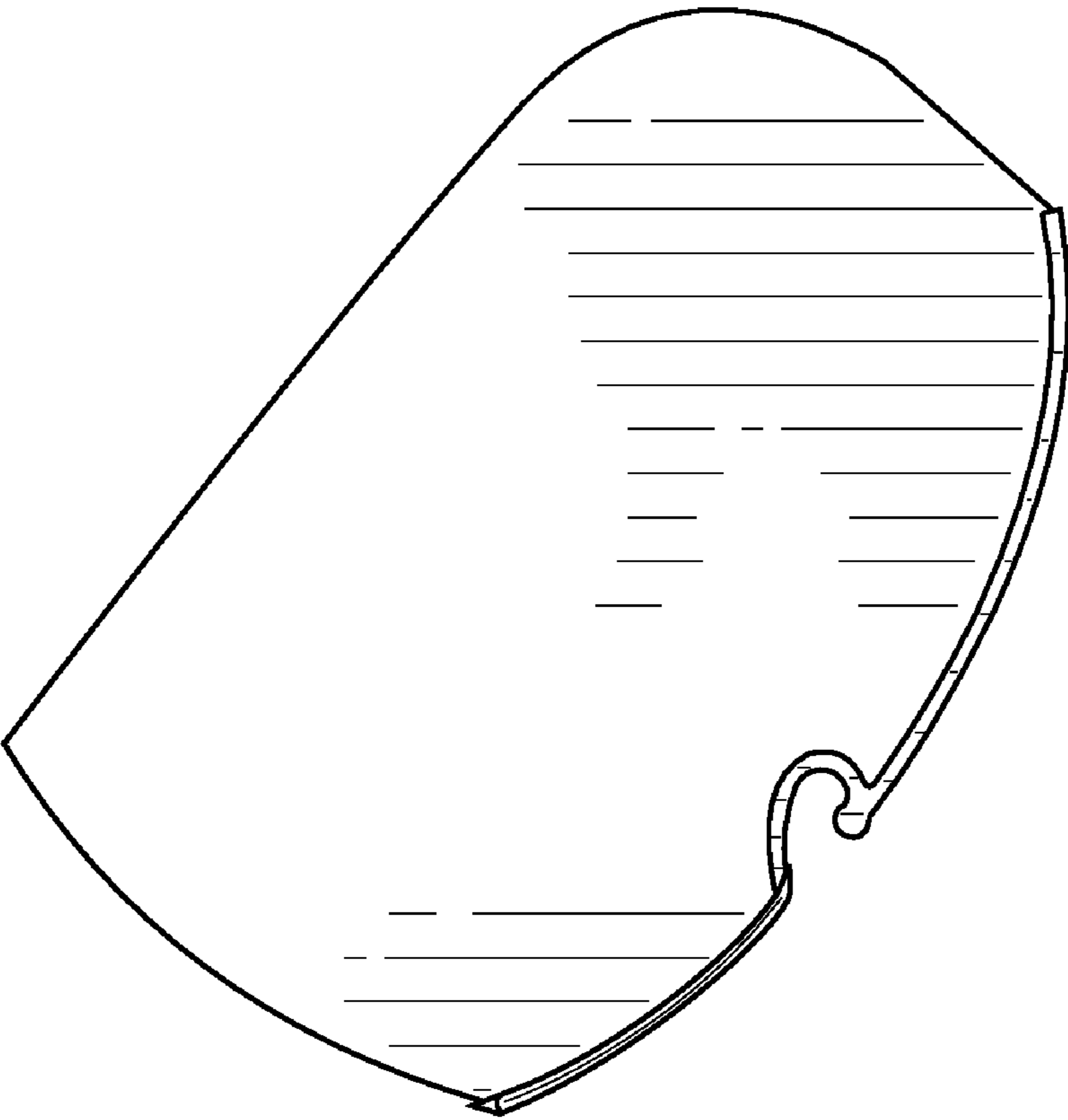


FIG. 4

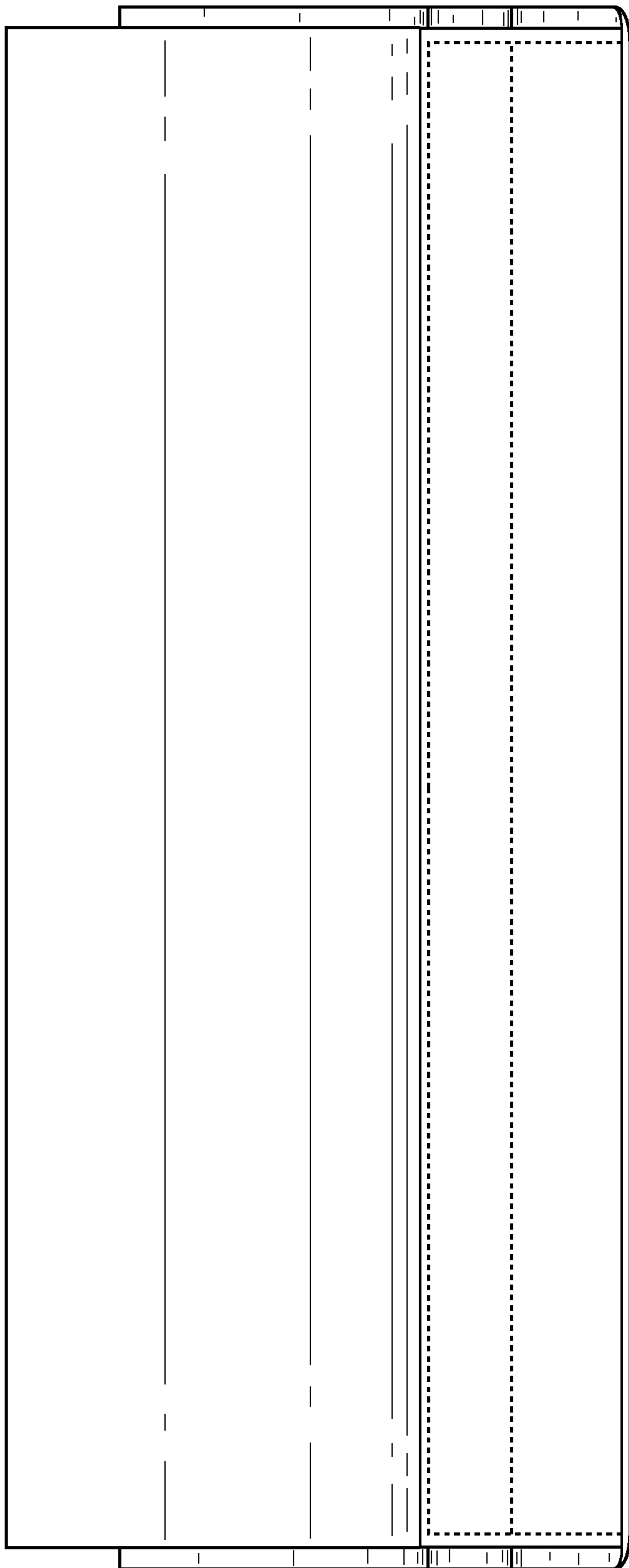


FIG. 5

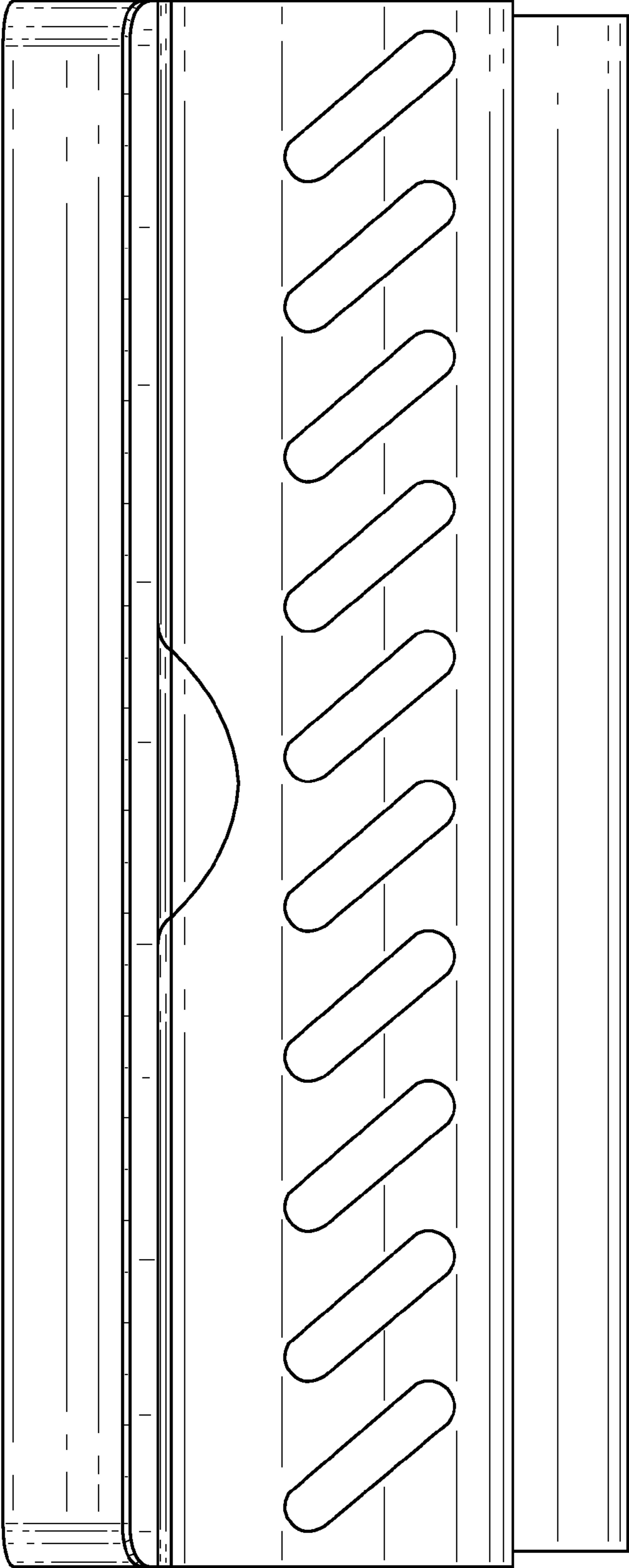


FIG. 6

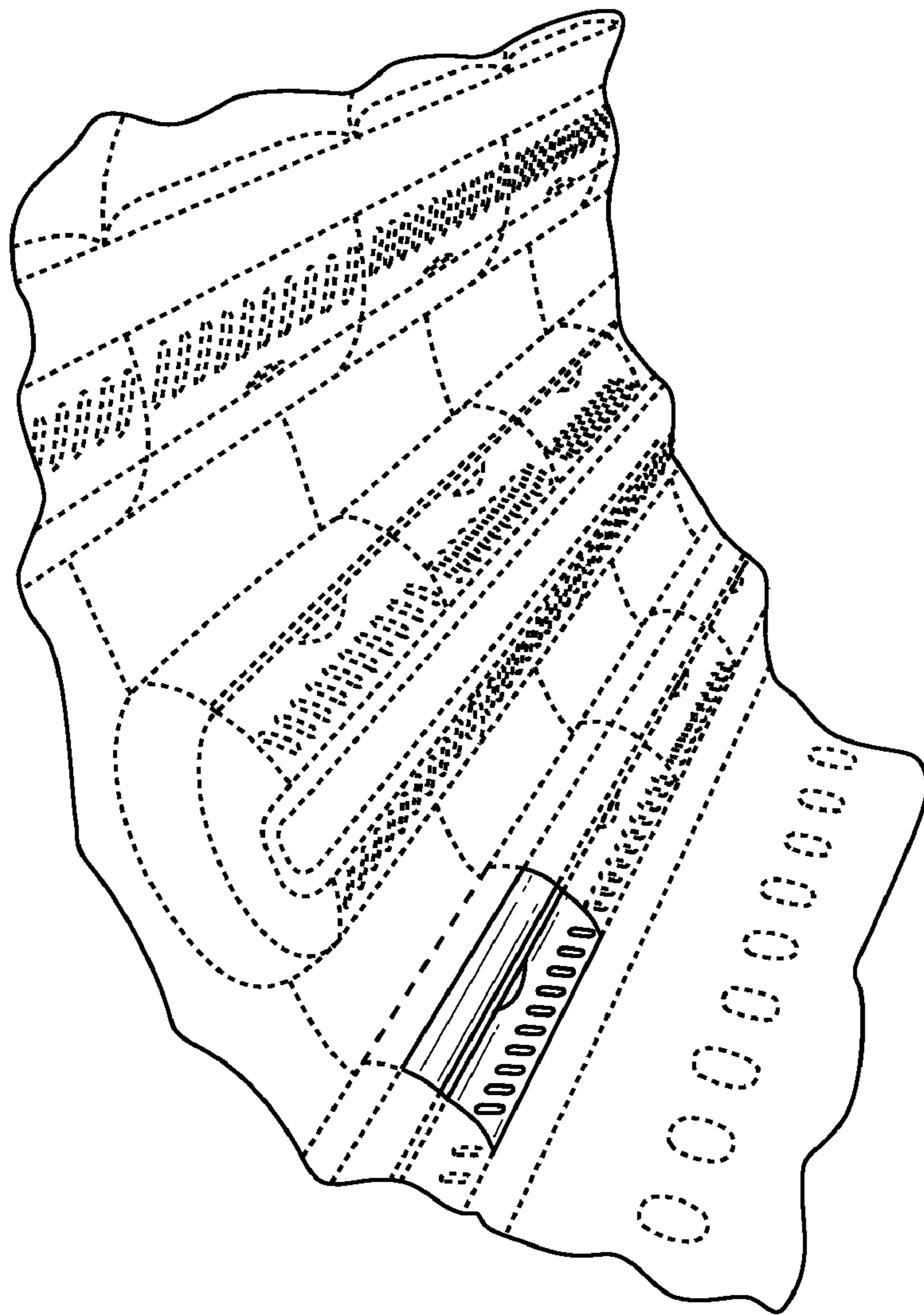


FIG. 7