



US00D589863S

(12) **United States Design Patent**  
**Huet**

(10) **Patent No.:** **US D589,863 S**

(45) **Date of Patent:** **\*\* Apr. 7, 2009**

(54) **FRONT FACE OF A VEHICLE WHEEL**

(75) **Inventor:** **Jean-François Alexandre Huet**, Villers  
Allerand (FR)

(73) **Assignee:** **Bayerische Motoren Werke**  
**Aktiengesellschaft**, Munich (DE)

(\*\*) **Term:** **14 Years**

(21) **Appl. No.:** **29/290,879**

(22) **Filed:** **Jan. 25, 2008**

(30) **Foreign Application Priority Data**

Jul. 27, 2007 (DE) ..... 40703866

(51) **LOC (9) Cl.** ..... **12-16**

(52) **U.S. Cl.** ..... **D12/209**

(58) **Field of Classification Search** ..... D12/204-213;  
301/37.101, 64.101, 65, 64.201

See application file for complete search history.

(56) **References Cited**

**U.S. PATENT DOCUMENTS**

D384,022 S \* 9/1997 Hatter ..... D12/209  
D428,377 S \* 7/2000 Kubosaki et al. .... D12/209  
D451,065 S \* 11/2001 Braun ..... D12/211  
D476,285 S \* 6/2003 Yoshida et al. .... D12/211

D492,238 S \* 6/2004 Bernoni ..... D12/211  
D499,058 S \* 11/2004 Iwauchi et al. .... D12/209  
D502,680 S \* 3/2005 Frizzi ..... D12/211  
D502,909 S \* 3/2005 Pfeiffer ..... D12/211  
D504,096 S \* 4/2005 Nakagawa et al. .... D12/209  
D514,494 S \* 2/2006 Scheu ..... D12/209  
D516,979 S \* 3/2006 Muzzarelli ..... D12/209  
D535,933 S \* 1/2007 Markefka ..... D12/209  
D555,566 S \* 11/2007 Hlinovsky ..... D12/209  
D570,759 S \* 6/2008 Antoniadis et al. .... D12/209  
D573,932 S \* 7/2008 Laengerer ..... D12/209

\* cited by examiner

*Primary Examiner*—Cathron C Brooks

*Assistant Examiner*—Austin Murphy

(74) *Attorney, Agent, or Firm*—Crowell & Moring LLP

(57) **CLAIM**

The ornamental design for a front face of a vehicle wheel, as shown and described.

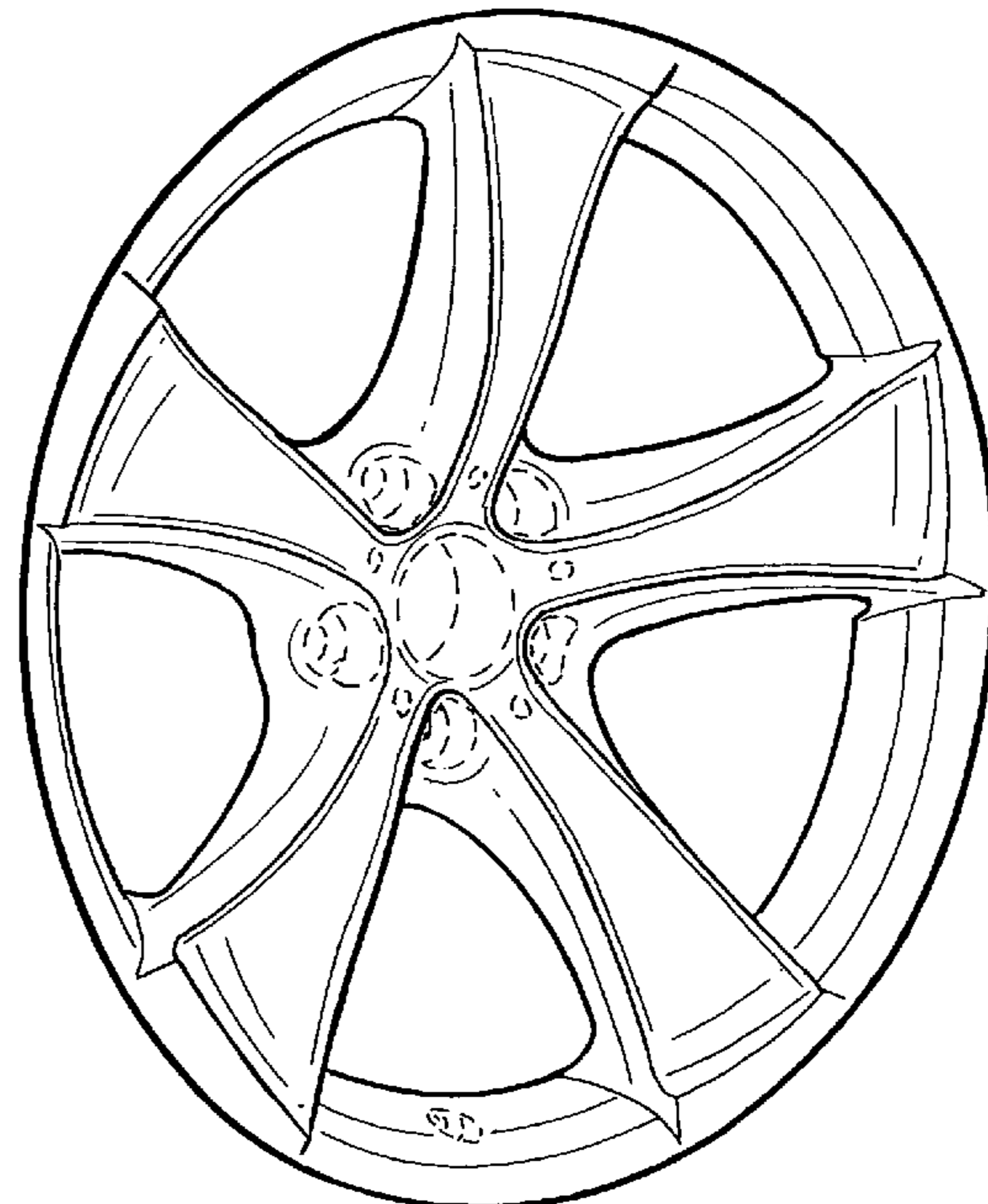
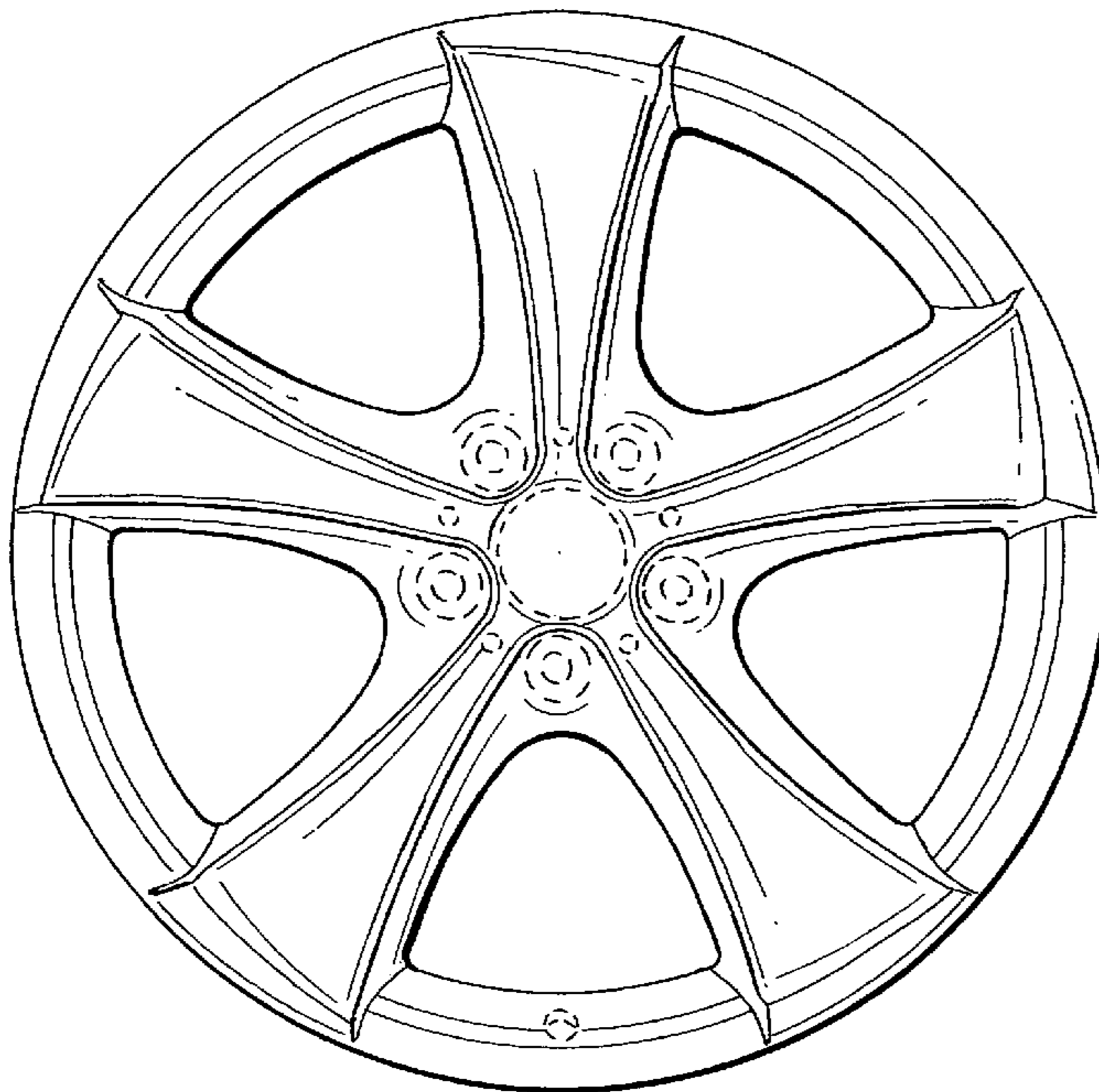
**DESCRIPTION**

FIG. 1 is a front view of a front face of a vehicle wheel according to my design; and,

FIG. 2 is a perspective view thereof.

The broken lines are for illustrative purposes only and form no part of the claimed design.

**1 Claim, 1 Drawing Sheet**



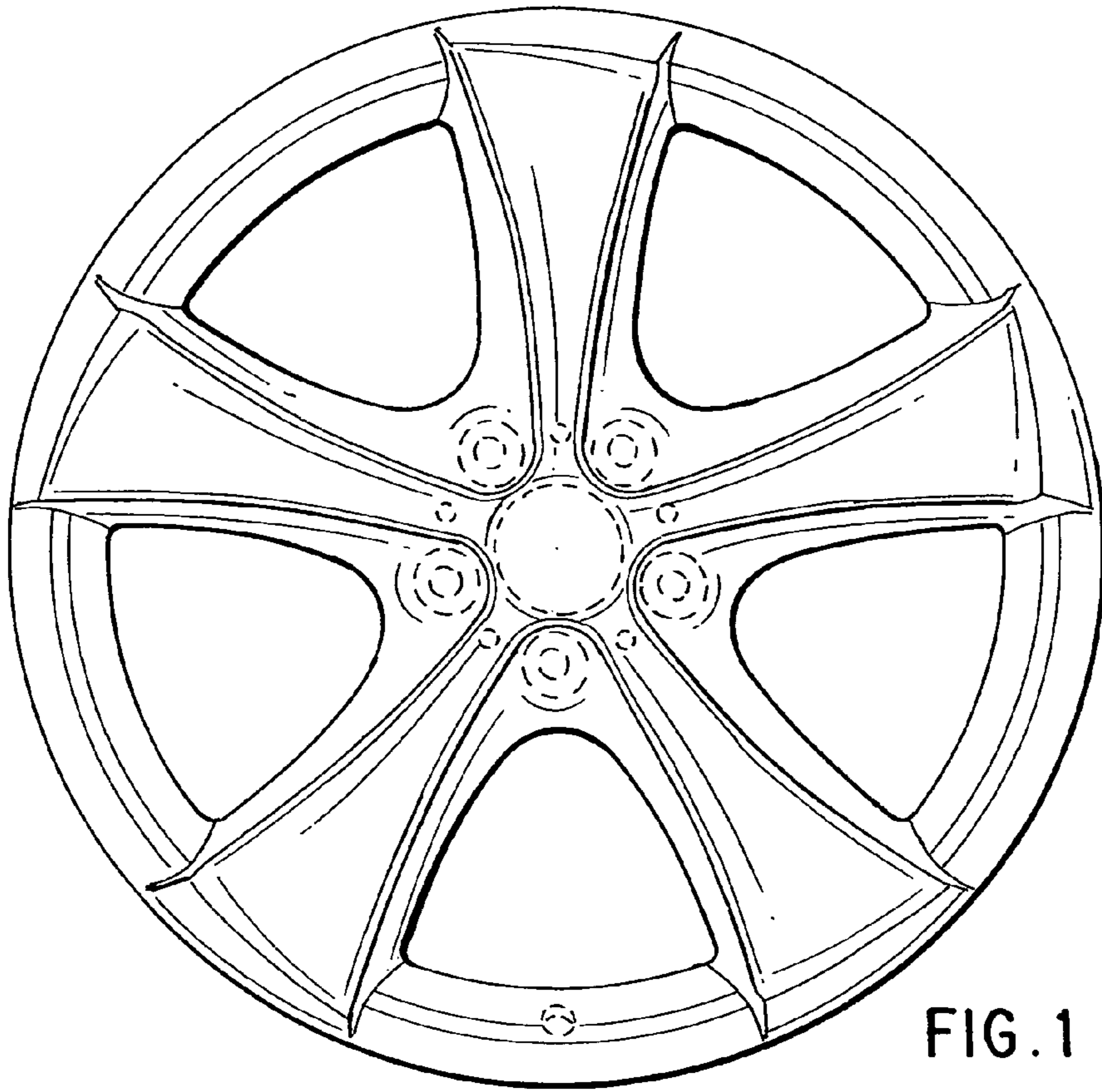


FIG. 1

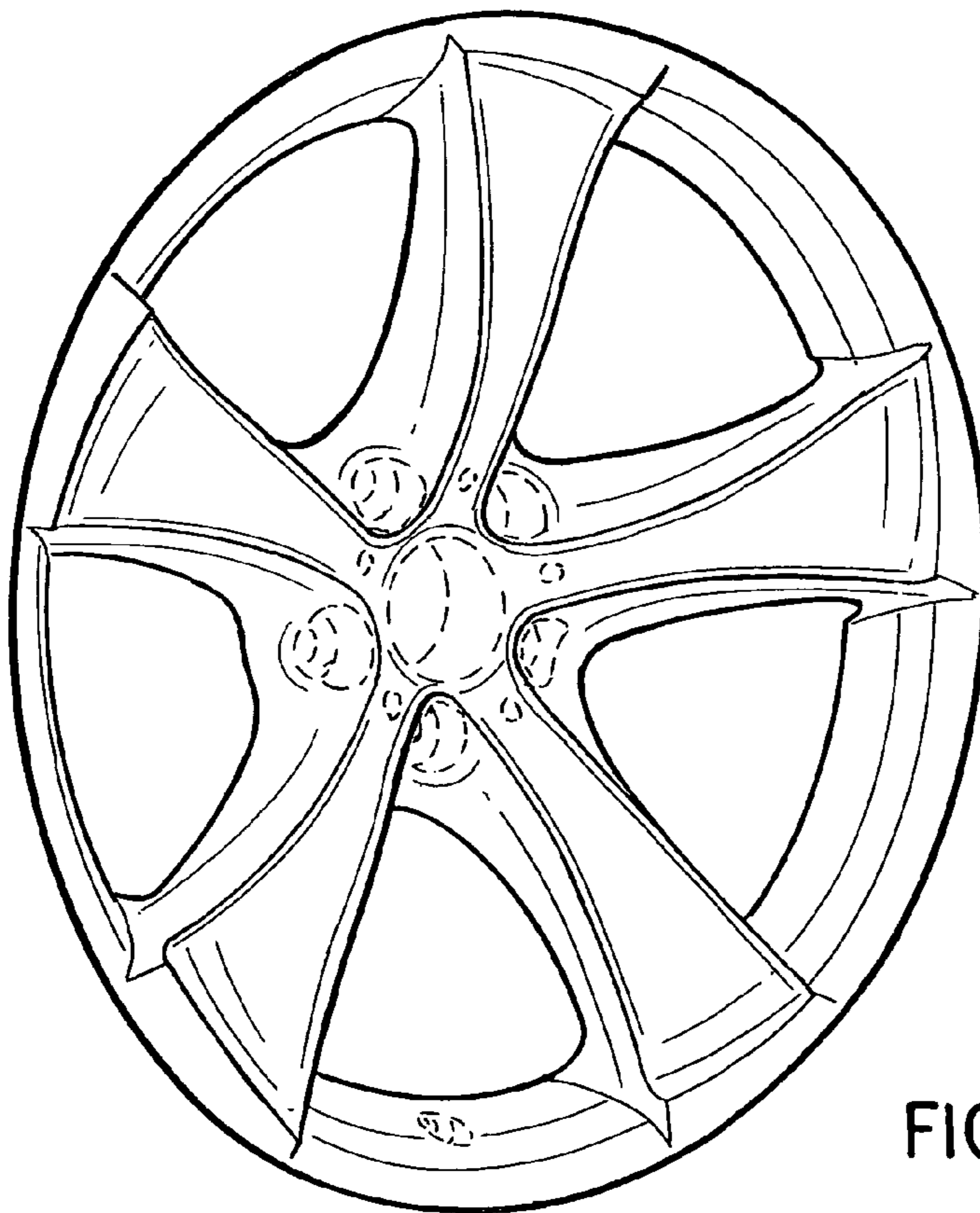


FIG. 2