



US00D589858S

(12) **United States Design Patent**  
**Nagase et al.**

(10) **Patent No.:** **US D589,858 S**

(45) **Date of Patent:** **\*\* Apr. 7, 2009**

(54) **POWER STEERING ACTUATOR**

(75) Inventors: **Shigeki Nagase**, Osaka (JP); **Ken Matsubara**, Osaka (JP); **Nobuhiro Uchida**, Osaka (JP); **Naotake Kanda**, Osaka (JP); **Kunihiro Oka**, Osaka (JP)

(73) Assignee: **JTEKT Corporation**, Osaka (JP)

(\*\*) Term: **14 Years**

(21) Appl. No.: **29/309,387**

(22) Filed: **Aug. 6, 2008**

(30) **Foreign Application Priority Data**

Feb. 7, 2008 (JP) ..... 2008-002680

(51) **LOC (9) Cl.** ..... **12-16**

(52) **U.S. Cl.** ..... **D12/177**

(58) **Field of Classification Search** ..... D12/177;  
D13/118, 122; D15/1-5; 74/7 C, 421 A,  
74/606 R; 180/443-434; 310/78, 83, 99,  
310/201, 254-271; 318/8-15, 138, 254,  
318/432-434, 439

See application file for complete search history.

(56) **References Cited**

**U.S. PATENT DOCUMENTS**

3,017,945 A \* 1/1962 Macduff ..... 180/439

D527,739 S \* 9/2006 De Luca et al. .... D15/5  
D558,107 S \* 12/2007 Horner et al. .... D12/180  
2006/0052201 A1\* 3/2006 Augustine et al. .... 475/19

\* cited by examiner

*Primary Examiner*—Sandra Snapp

*Assistant Examiner*—Patricia Palasik

(74) *Attorney, Agent, or Firm*—Rabin & Berdo, PC

(57) **CLAIM**

The ornamental design for a power steering actuator, as shown and described.

**DESCRIPTION**

FIG. 1 is a perspective view of a power steering actuator showing our new design;

FIG. 2 is a top plan view thereof;

FIG. 3 is a front elevation view thereof;

FIG. 4 is a right side view thereof;

FIG. 5 is a bottom plan view thereof;

FIG. 6 is a rear elevation view thereof; and,

FIG. 7 is a left side view thereof.

The broken lines shown in the figures are for illustrative purposes only and form no part of the claimed design.

**1 Claim, 7 Drawing Sheets**

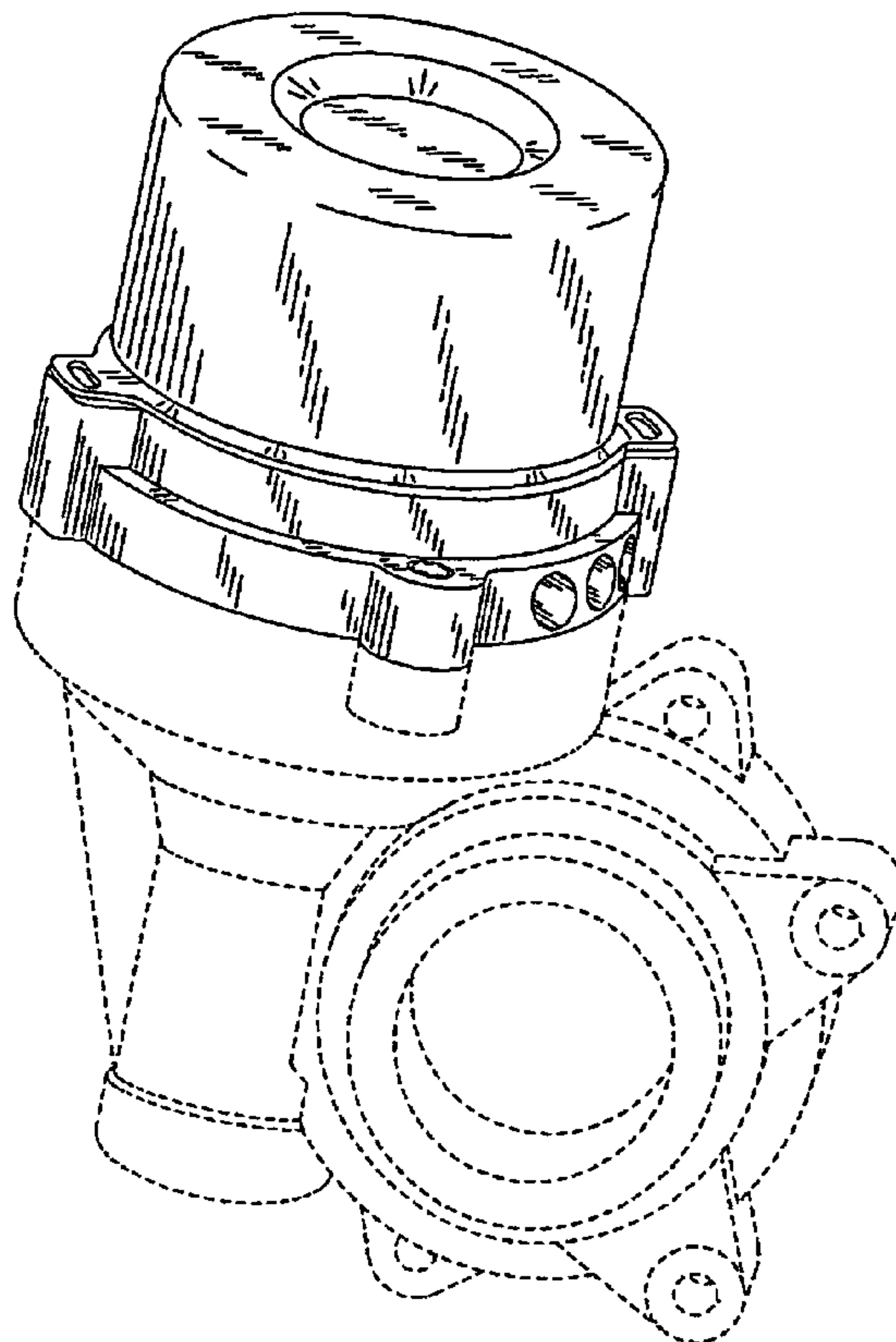


FIG. 1

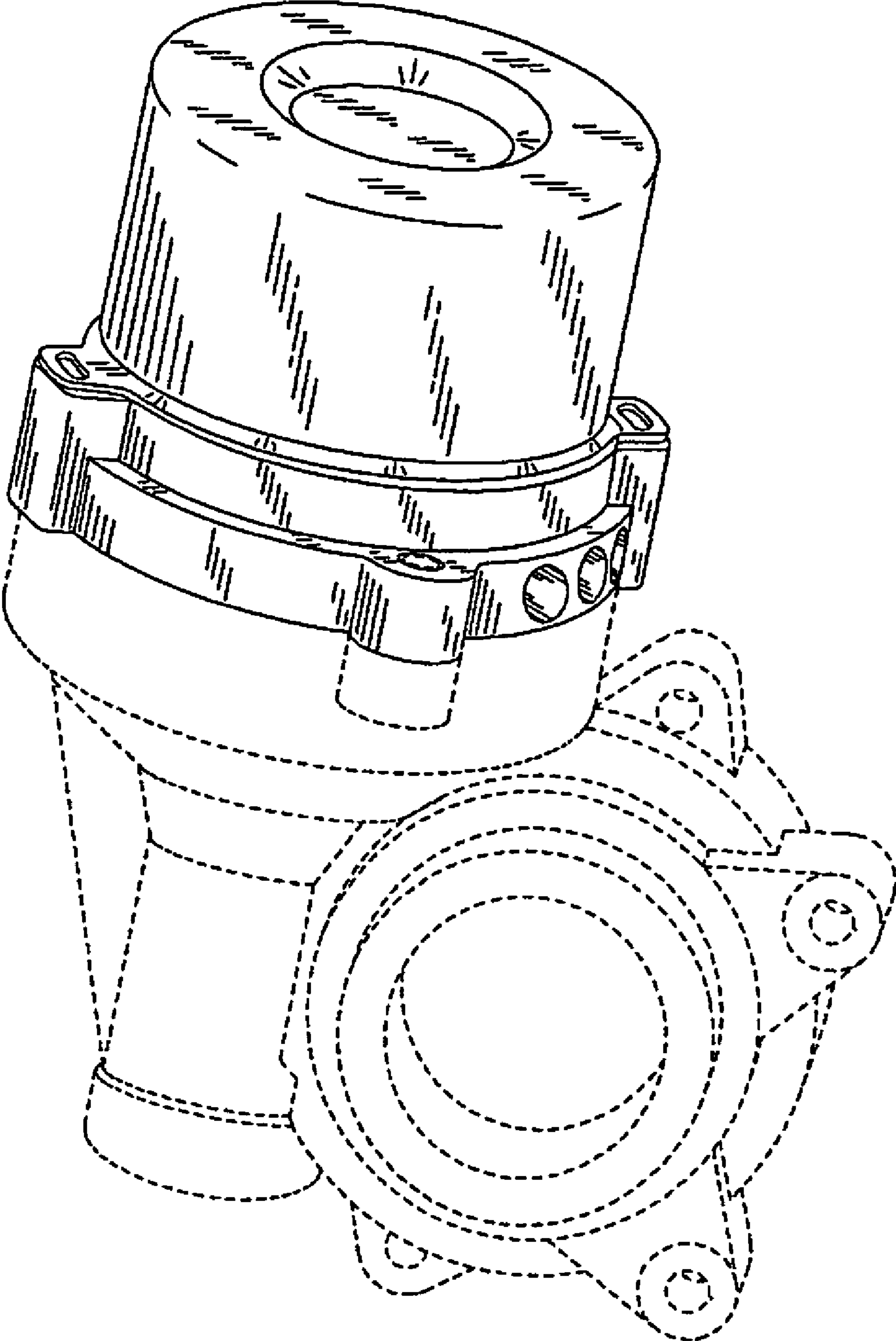


FIG. 2

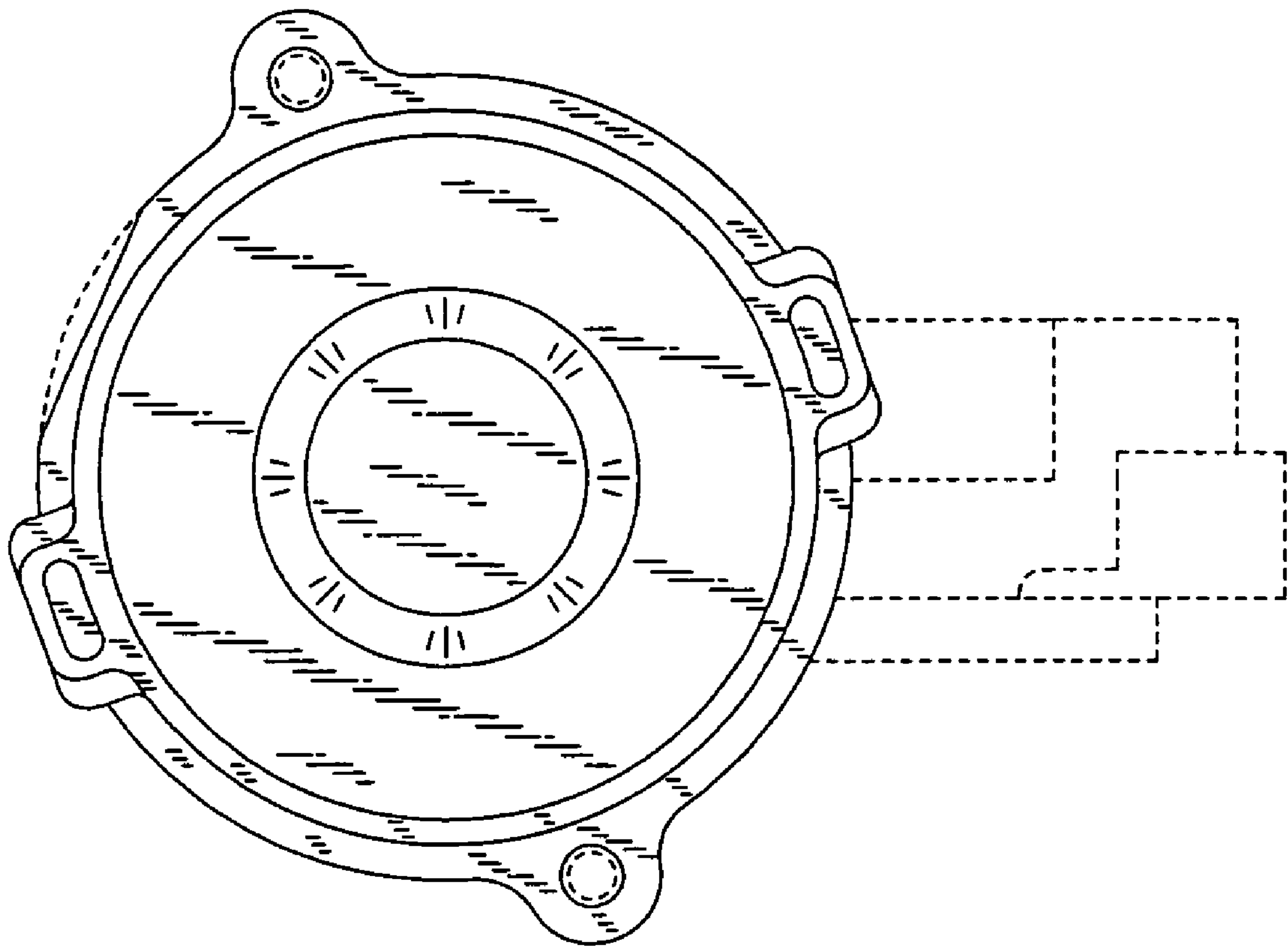


FIG. 3

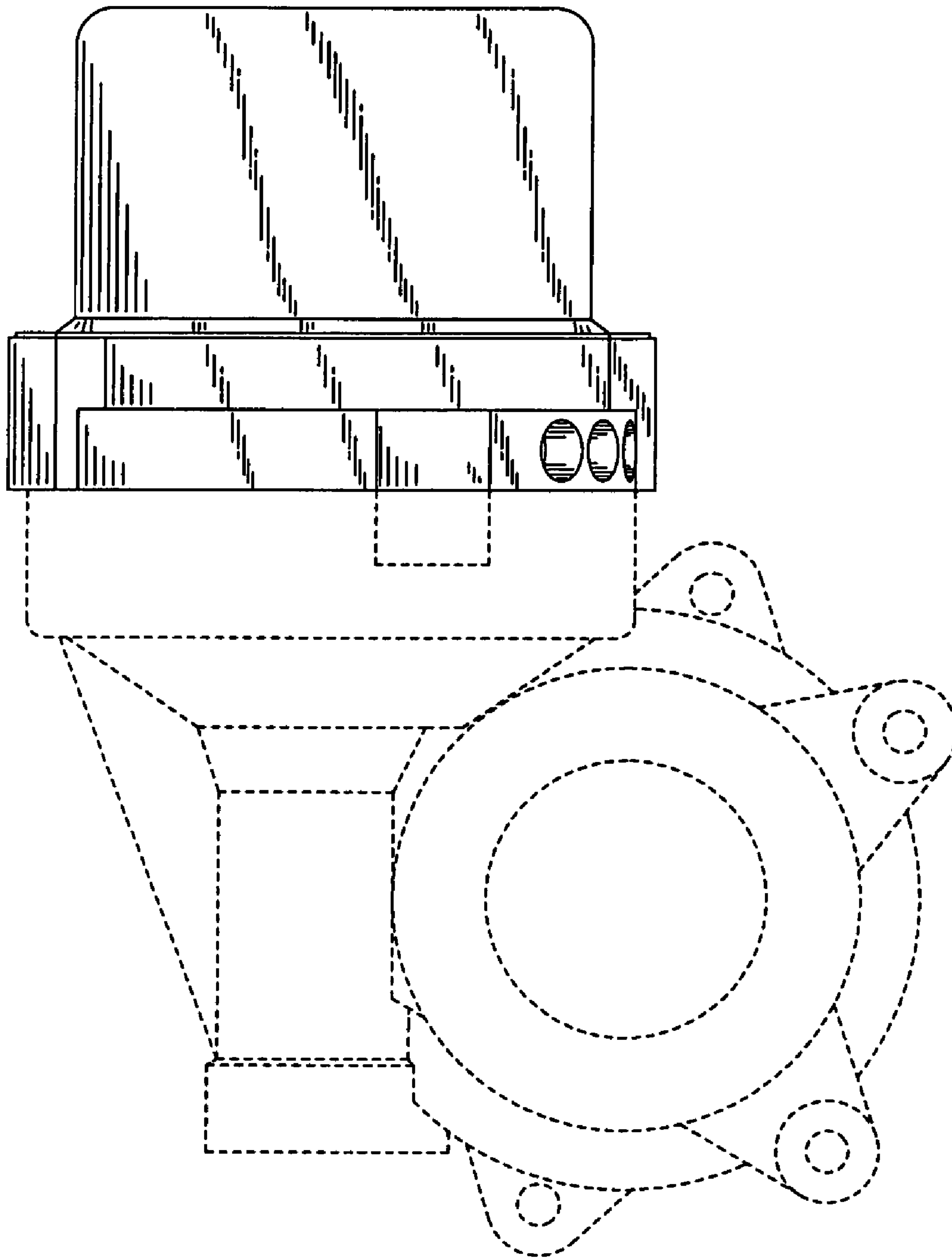


FIG. 4

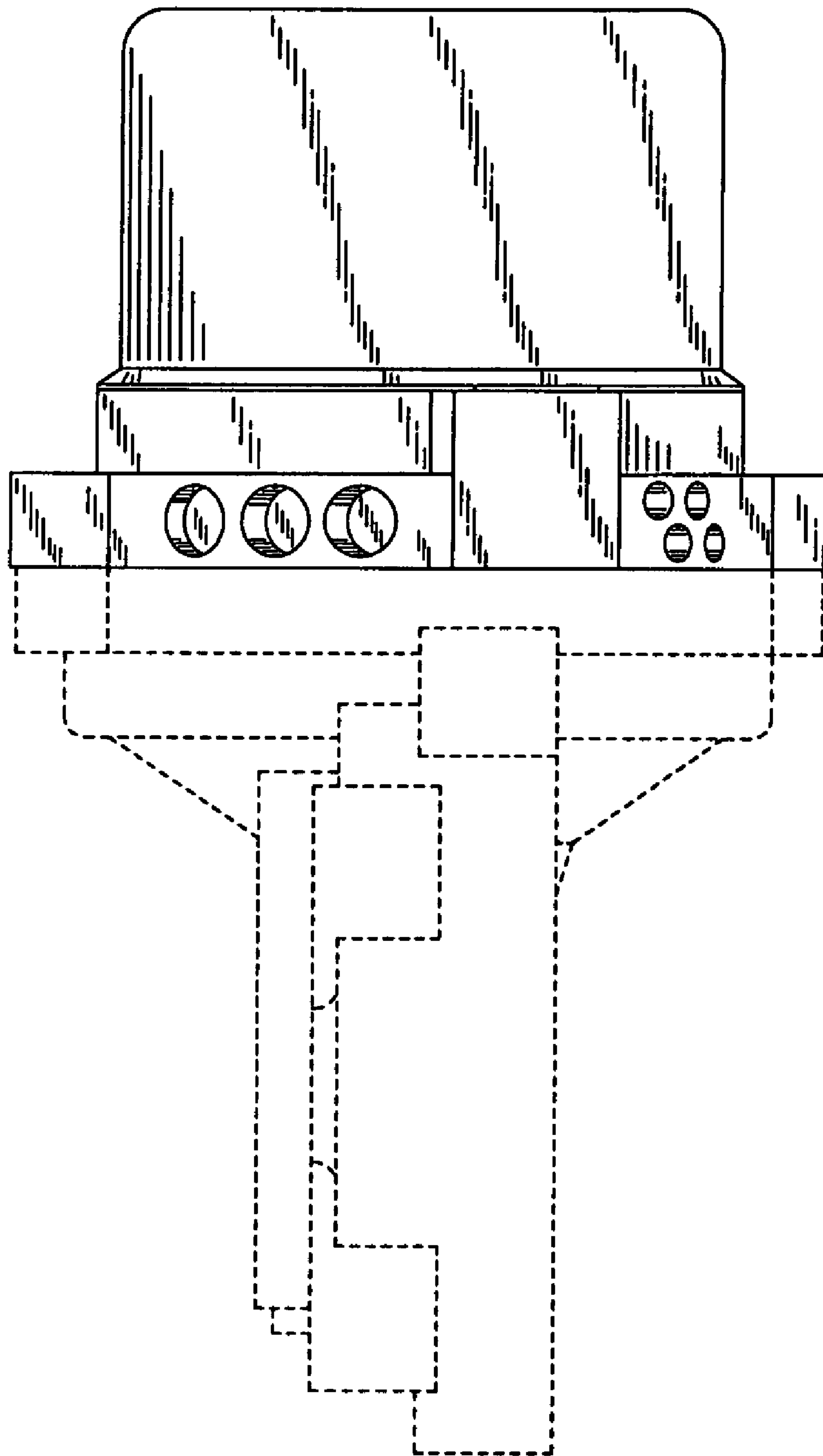


FIG. 5

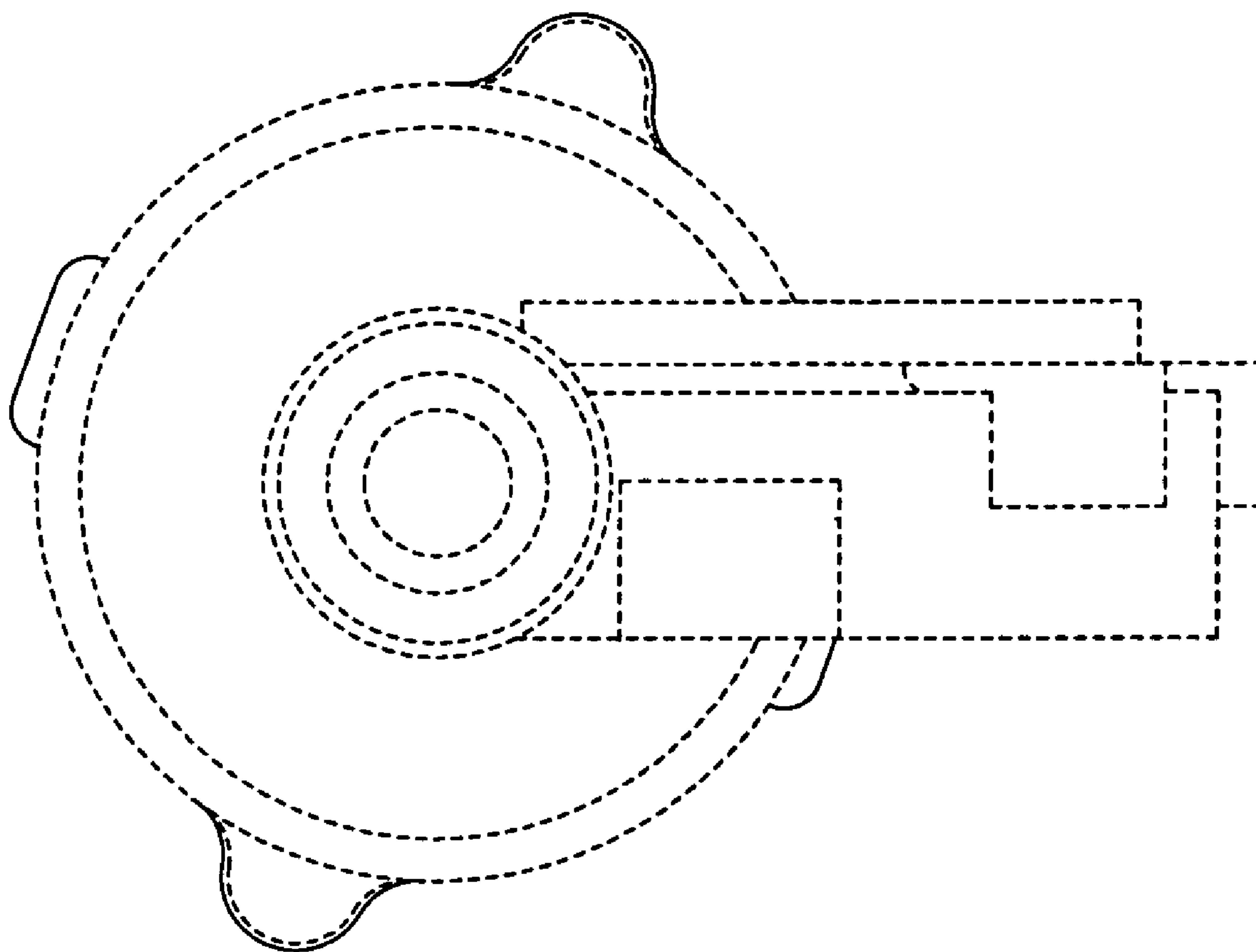


FIG. 6

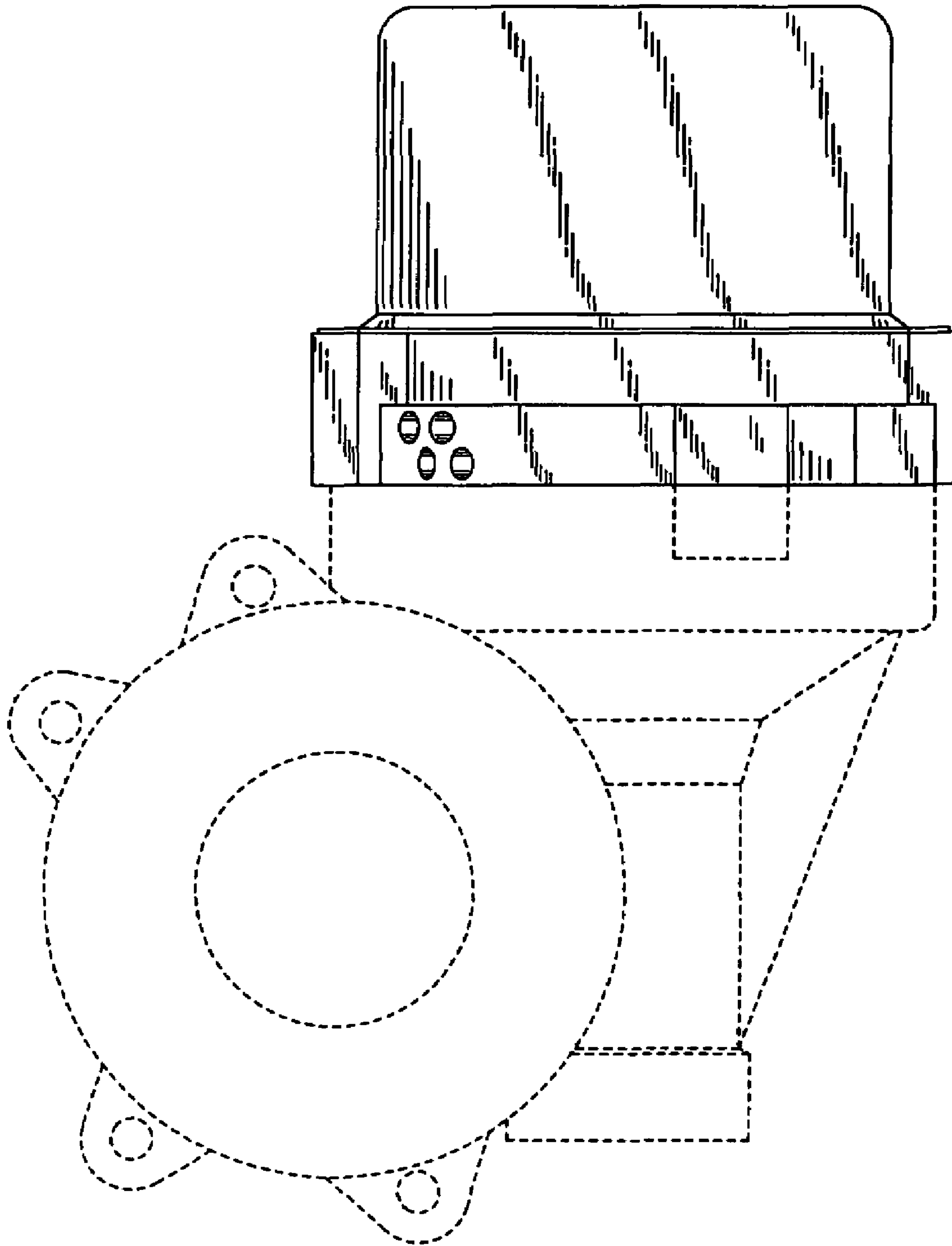




FIG. 7

