



US00D589857S

(12) **United States Design Patent**
Gorgizian

(10) **Patent No.:** **US D589,857 S**

(45) **Date of Patent:** **** Apr. 7, 2009**

(54) **HANDLEBAR RISER**

(76) Inventor: **Jason Gorgizian**, 191 D Tall Oaks Dr.,
Weymouth, MA (US) 02190

(**) Term: **14 Years**

(21) Appl. No.: **29/318,165**

(22) Filed: **May 15, 2008**

(51) **LOC (9) Cl.** **12-11**

(52) **U.S. Cl.** **D12/174**

(58) **Field of Classification Search** D12/174,
D12/110, 114, 178, 223, 117; 280/274-280,
280/281.1, 288.1-288.4; 180/219; 74/551.3,
74/551.8; D22/105, 108, 109, 104; 42/59-68,
42/70.01, 70.11

See application file for complete search history.

(56) **References Cited**

U.S. PATENT DOCUMENTS

D301,911 S * 6/1989 Ruger et al. D22/104

D452,467 S * 12/2001 Lane D12/174

D520,919 S * 5/2006 Morrow et al. D12/120

* cited by examiner

Primary Examiner—Robin V Webster

Assistant Examiner—Linda Brooks

(74) *Attorney, Agent, or Firm*—Bromberg & Sunstein LLP

(57) **CLAIM**

The ornamental design for a handlebar riser, as shown and described.

DESCRIPTION

FIG. 1 is a perspective view of a handlebar riser according to my design engaged with a motorcycle handlebar;

FIG. 2 is a bottom view of a handlebar riser according to my design;

FIG. 3 is a top view thereof;

FIG. 4 is a side view thereof;

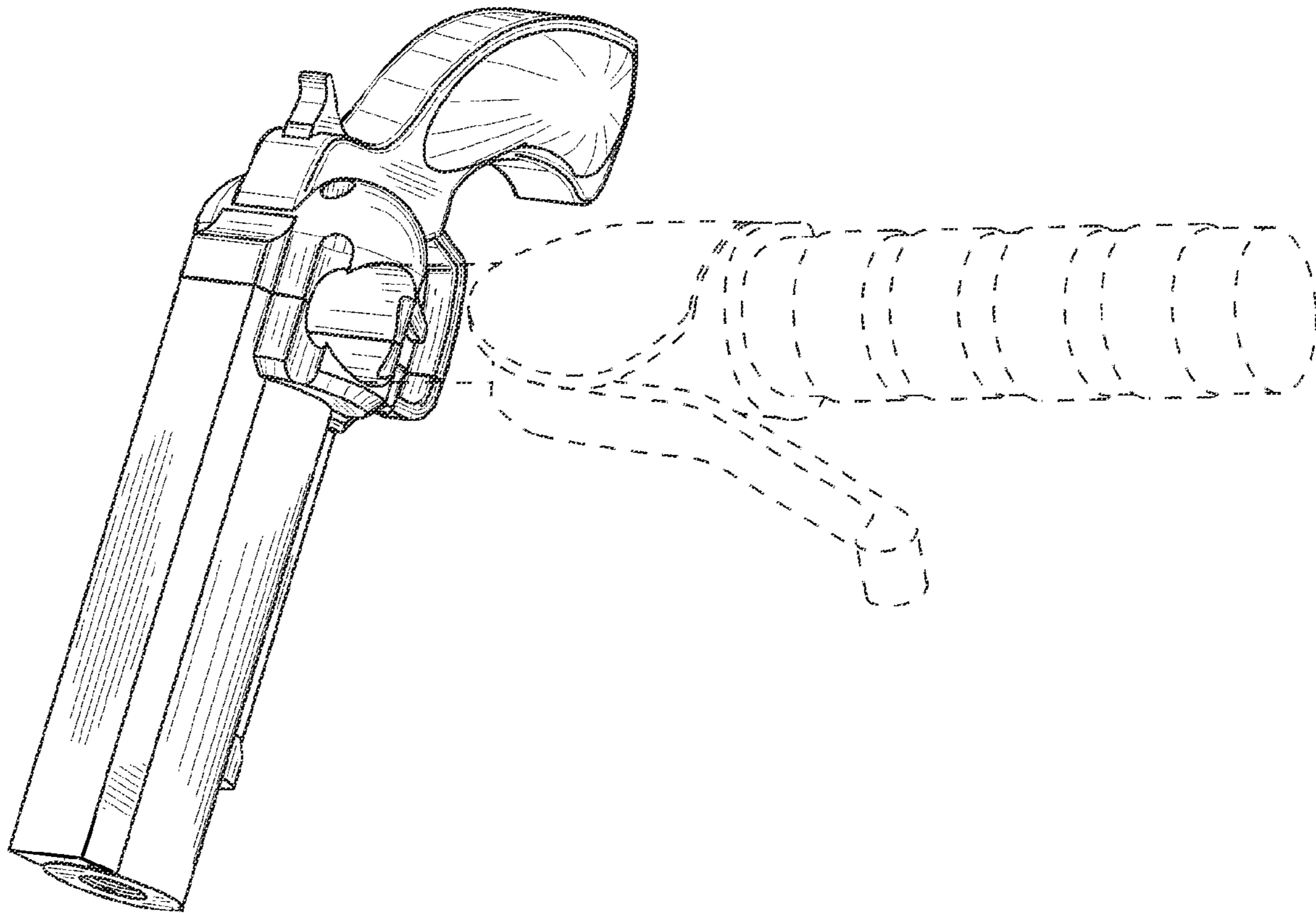
FIG. 5 is a front view thereof;

FIG. 6 is an opposite side view thereof; and,

FIG. 7 is a rear view thereof.

The portions shown in broken lines form no part of the claimed design.

1 Claim, 2 Drawing Sheets



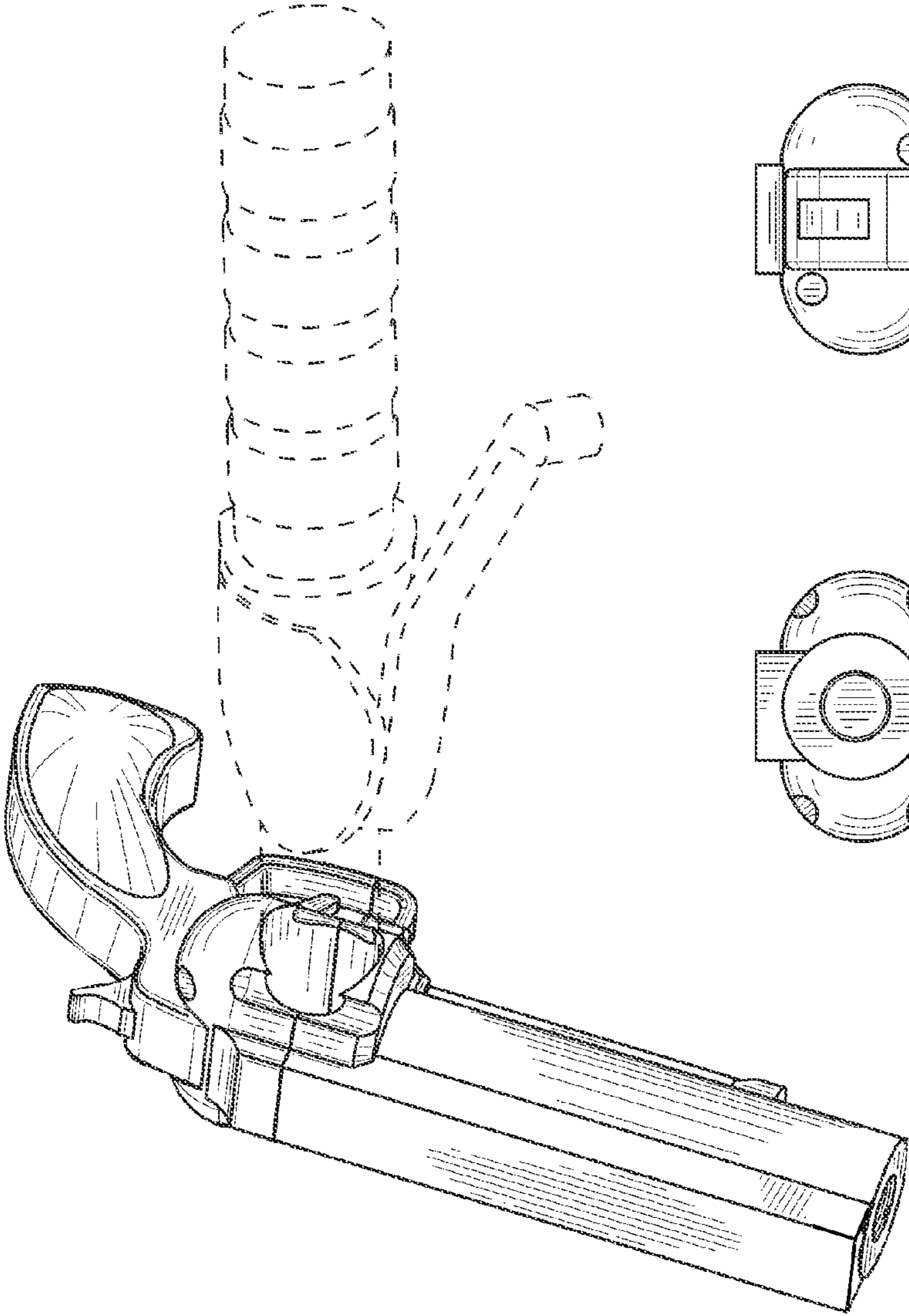


FIG. 1

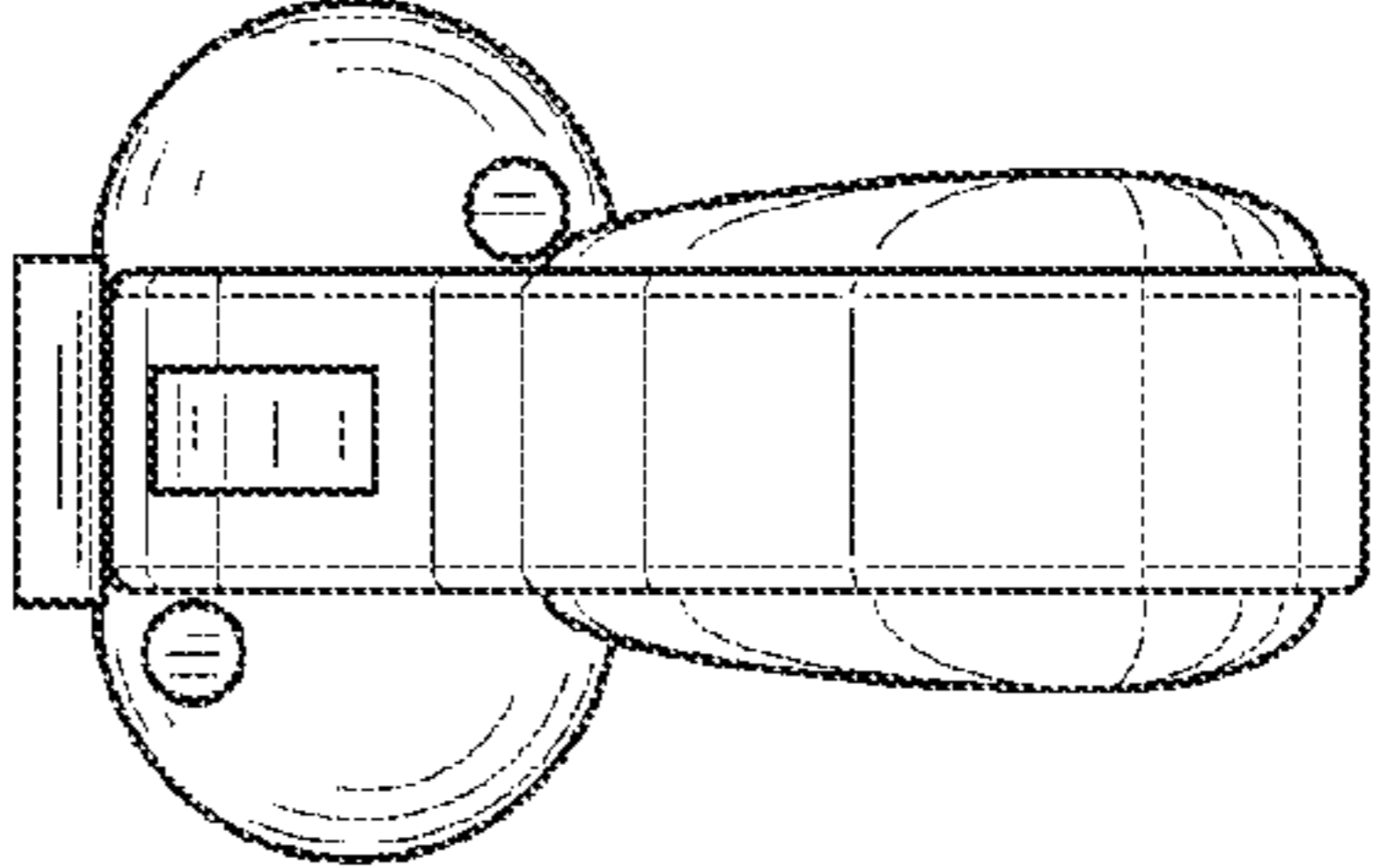


FIG. 3

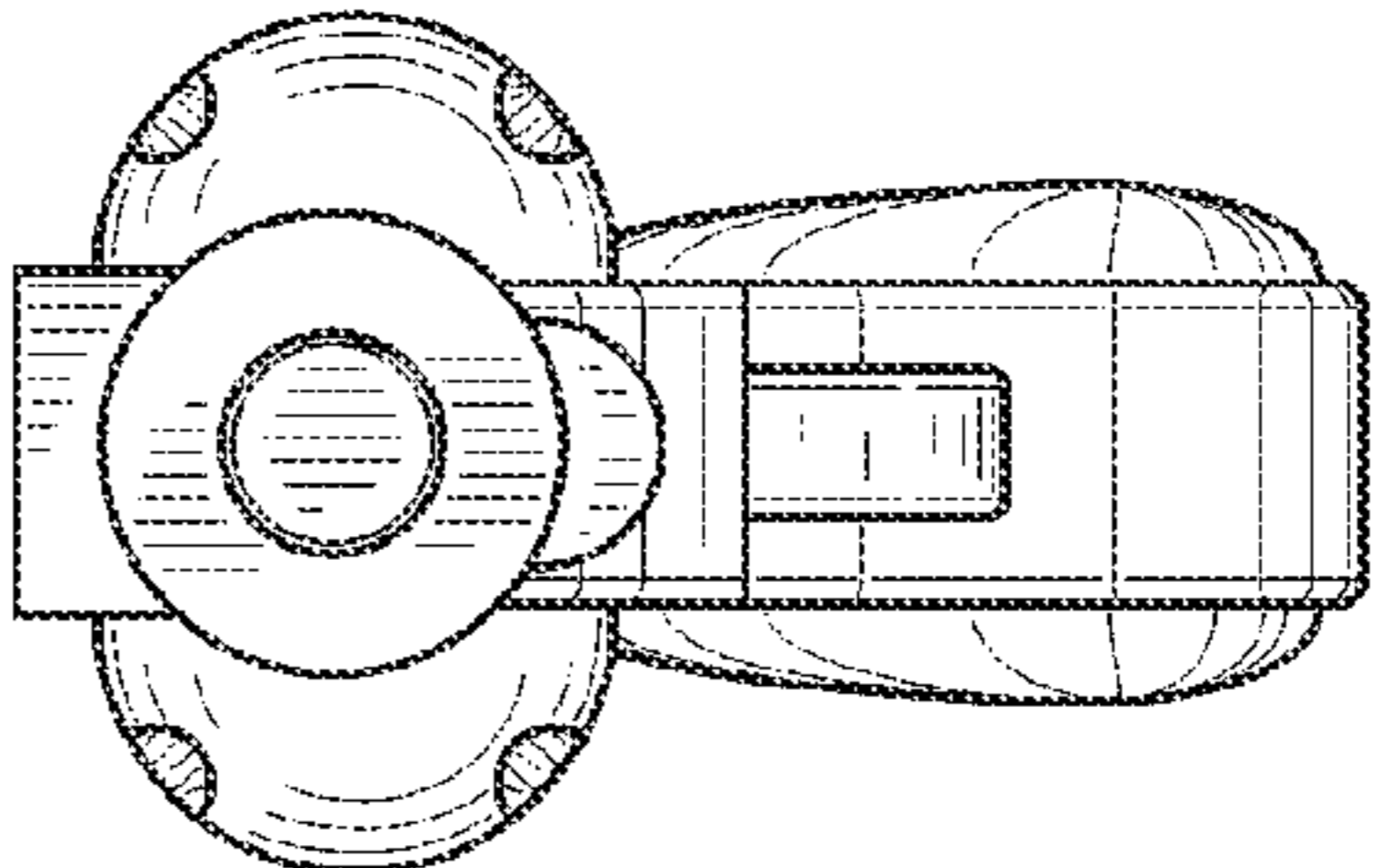


FIG. 2

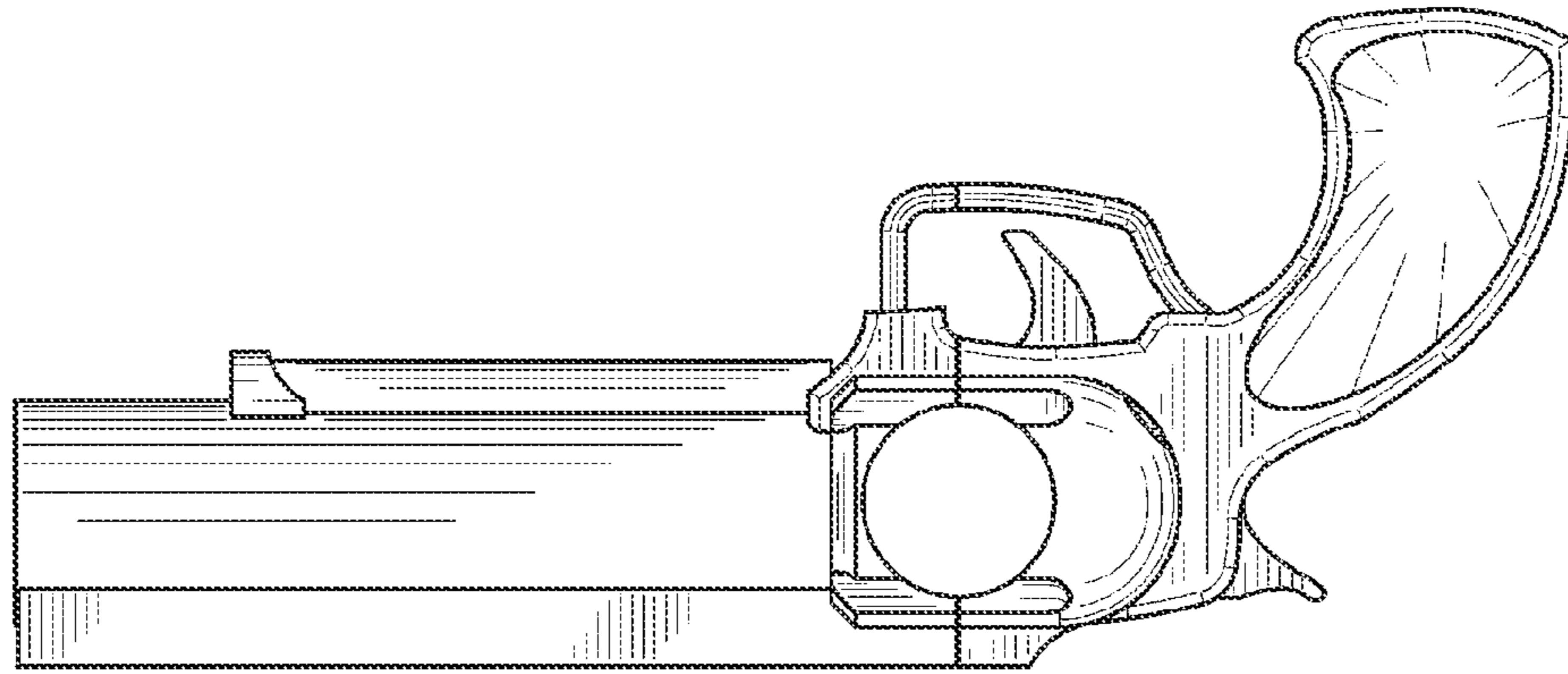


FIG. 4

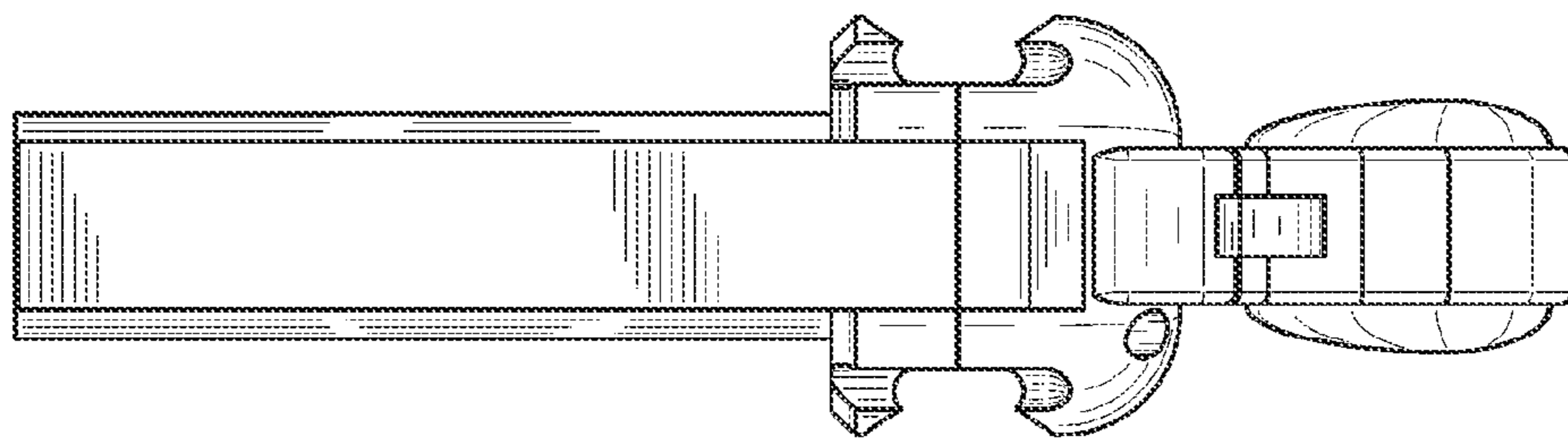


FIG. 5

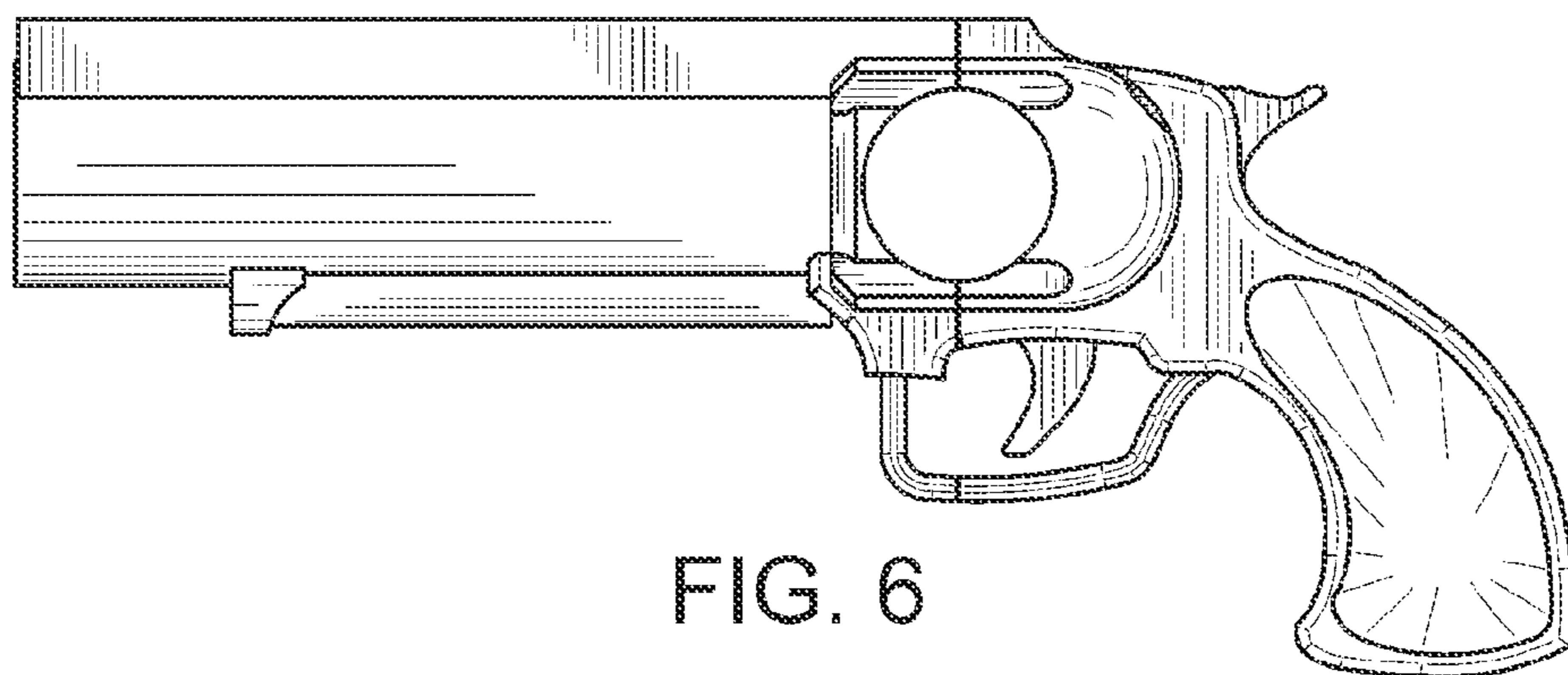


FIG. 6

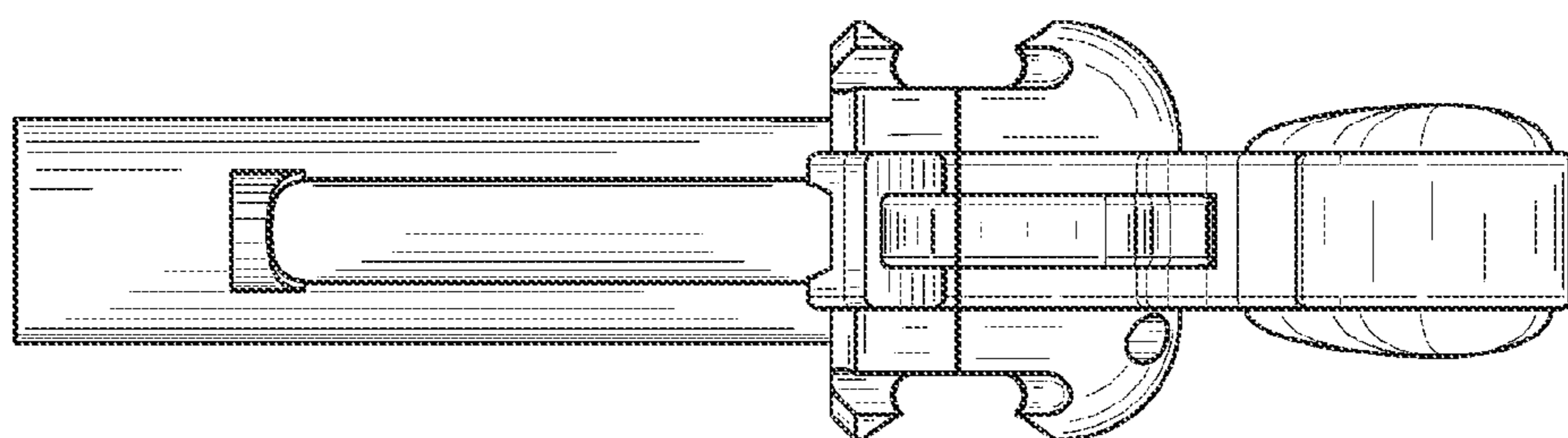


FIG. 7