



US00D589852S

(12) **United States Design Patent**
Giampavolo

(10) **Patent No.:** **US D589,852 S**

(45) **Date of Patent:** **** Apr. 7, 2009**

(54) **STROLLER CART FRAME**

D548,919 S 8/2007 Dietzel et al.

(76) Inventor: **Paul Giampavolo**, 6 Kingsbridge Rd.,
Fairfield, NJ (US) 07004

* cited by examiner

(**) Term: **14 Years**

Primary Examiner—Ian Simmons
Assistant Examiner—Charles D Hanson
(74) *Attorney, Agent, or Firm*—Weingarten, Schurgin,
Gagnebin & Lebovici LLP

(21) Appl. No.: **29/301,462**

(22) Filed: **Feb. 29, 2008**

(57) **CLAIM**

(51) **LOC (9) Cl.** **12-12**

The ornamental design for a stroller cart frame, as shown and described.

(52) **U.S. Cl.** **D12/133; D34/27; D34/12**

(58) **Field of Classification Search** D12/128–133;
280/62, 647–650, 29, 200, 47.38, 35, 250.1,
280/259, 642, 658, 33.991, 33.993; 296/65.03,
296/65.04; 135/65–67, 74; D21/419, 421,
D21/423, 743, 765, 477; D34/12, 17, 21,
D34/27

DESCRIPTION

See application file for complete search history.

FIG. 1 is a left elevation view of a stroller cart frame showing my new design;

FIG. 2 is a front elevation view thereof;

FIG. 3 is a right elevation view thereof;

FIG. 4 is a rear elevation view thereof;

FIG. 5 is a top plan view thereof;

FIG. 6 is a bottom plan view thereof;

FIG. 7 is a perspective view thereof; and,

FIG. 8 is a mirror image perspective view of the view shown in FIG. 7.

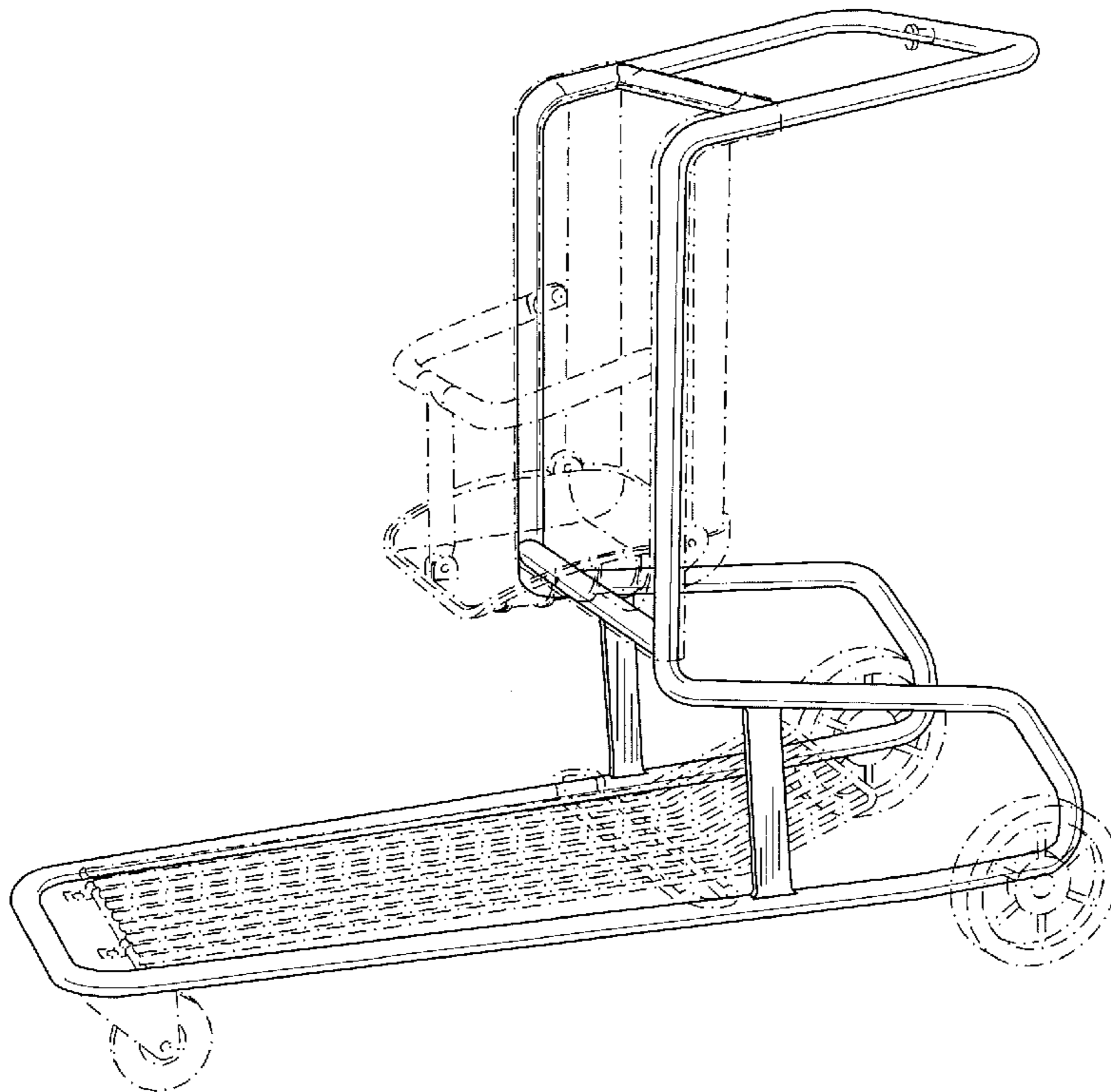
Broken-lines showings of other elements of a stroller cart, which elements include a foldable child seat, a knob on a push handle, a lower tray and casters, are for illustrative purposes only and form no part of the claimed design.

(56) **References Cited**

U.S. PATENT DOCUMENTS

D360,392 S *	7/1995	Lewandowski	D12/129
D360,393 S *	7/1995	Lewandowski	D12/129
D365,904 S *	1/1996	Adamson et al.	D34/17
D386,873 S *	11/1997	D'Estaintot et al.	D34/21
6,237,924 B1 *	5/2001	Reiland et al.	280/33.993
D460,029 S *	7/2002	Wang	D12/131
D483,304 S *	12/2003	Ford	D12/133
D520,209 S *	5/2006	Duchene	D34/27
D526,107 S *	8/2006	Duchene	D34/27
7,104,552 B2 *	9/2006	Swanson et al.	280/33.991

1 Claim, 8 Drawing Sheets



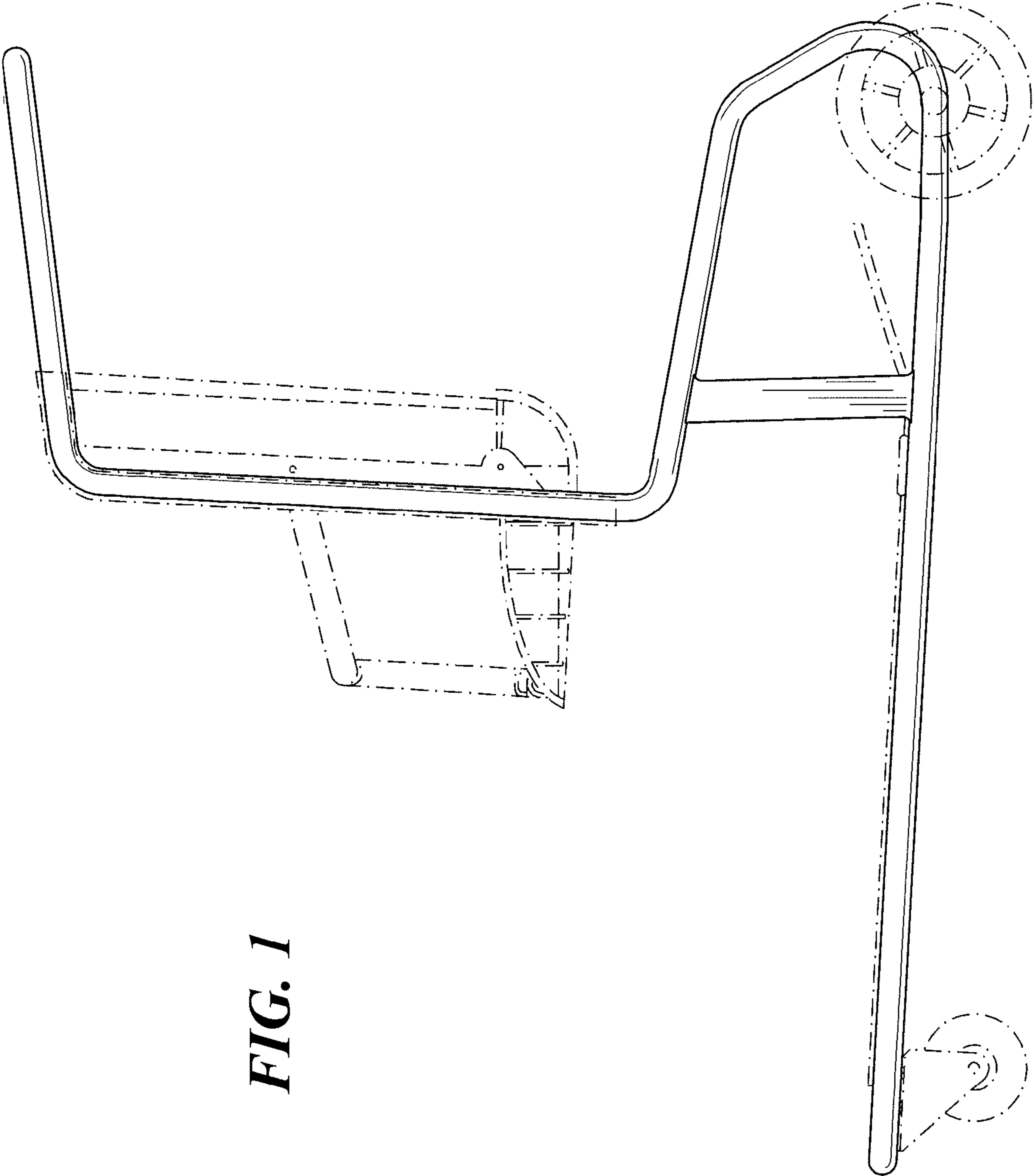


FIG. 1

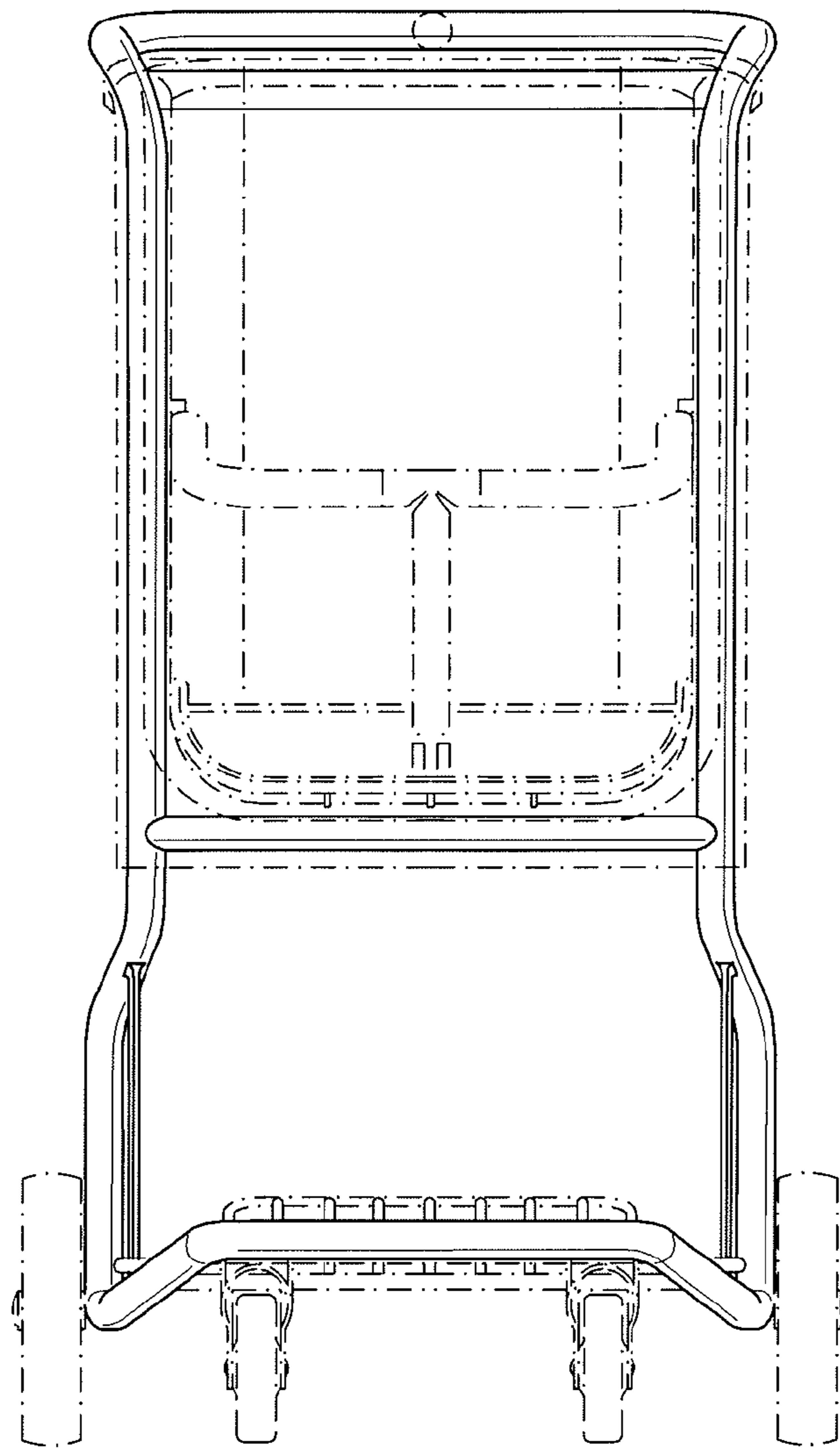
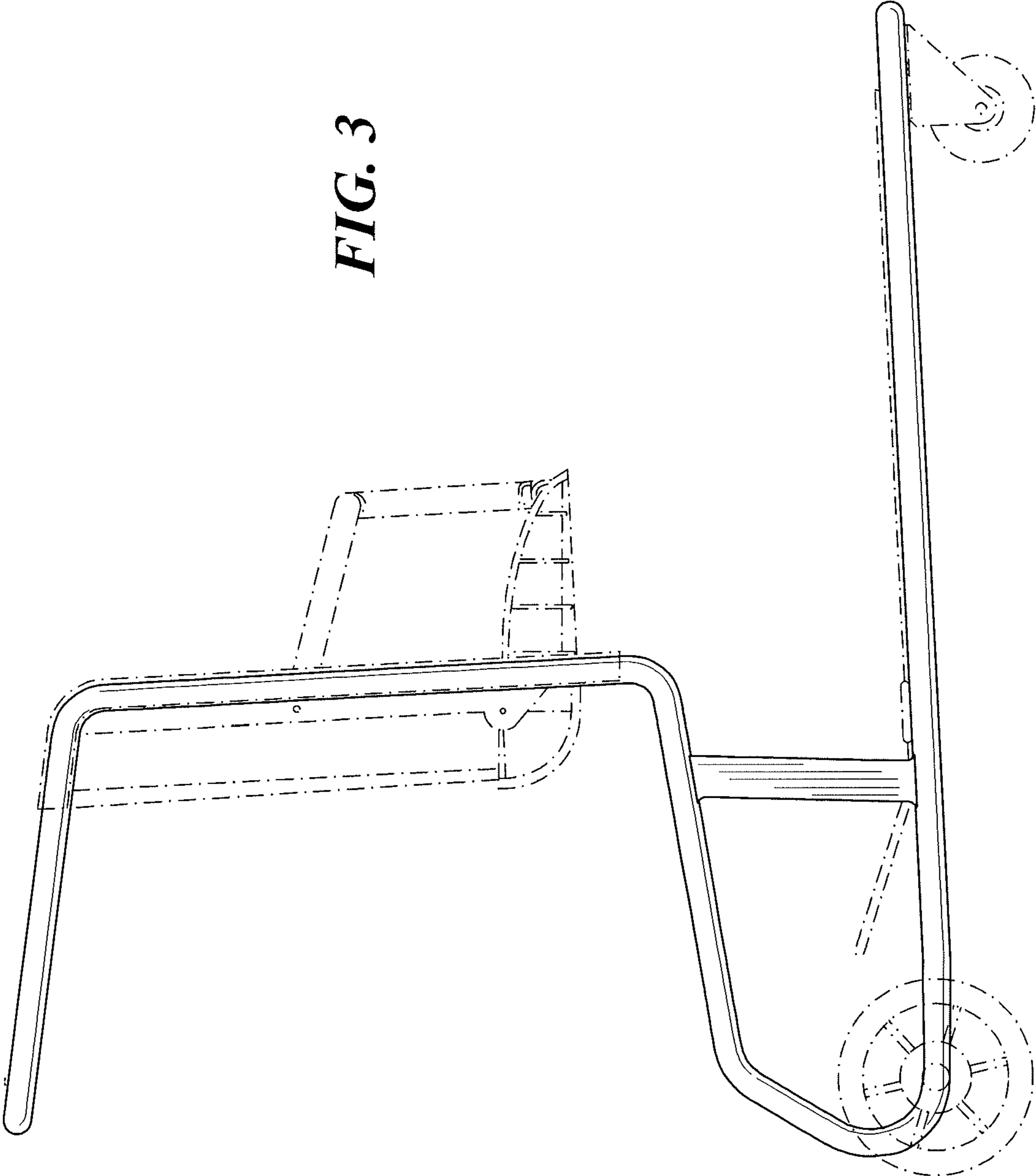


FIG. 2

FIG. 3



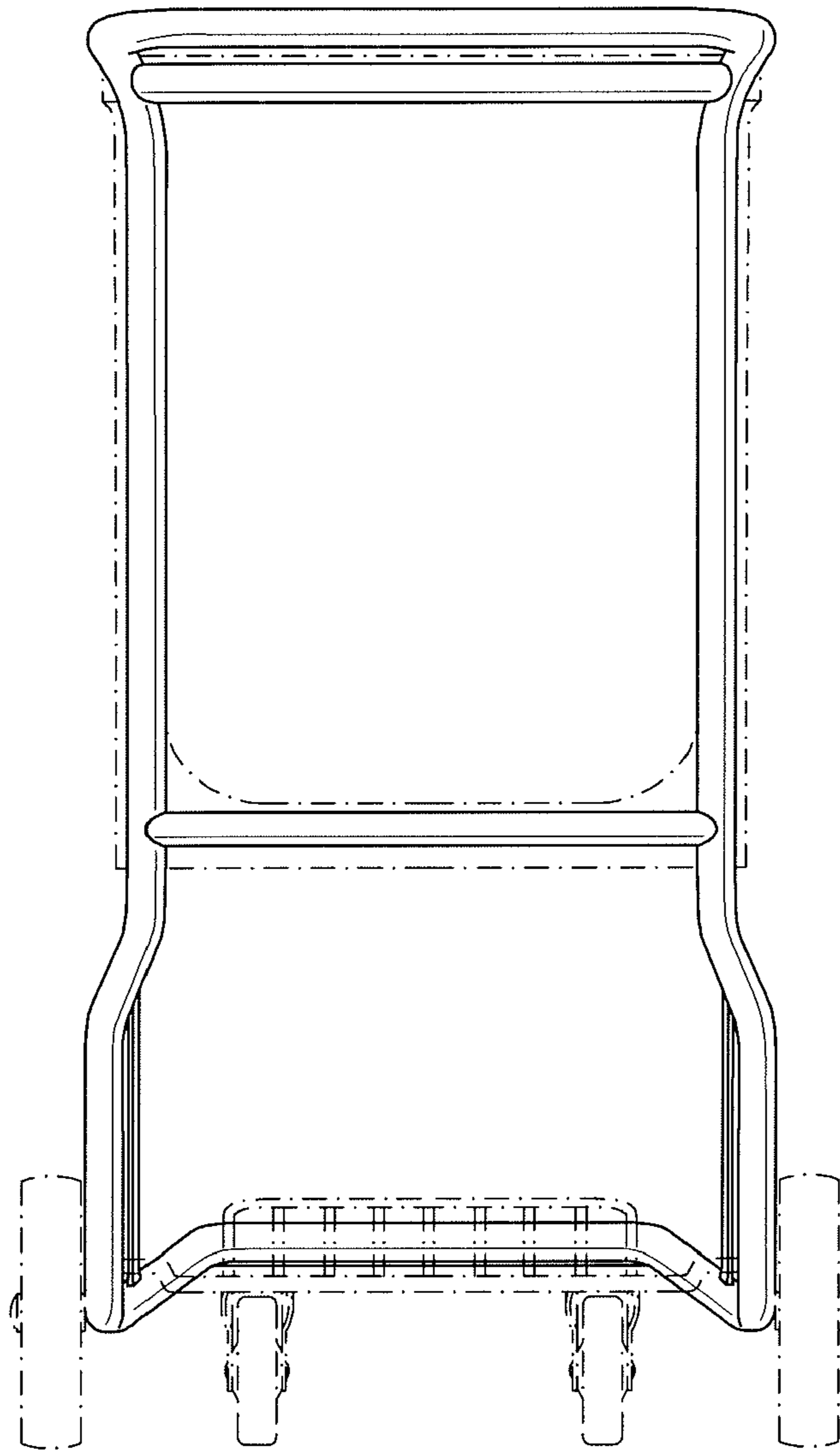


FIG. 4

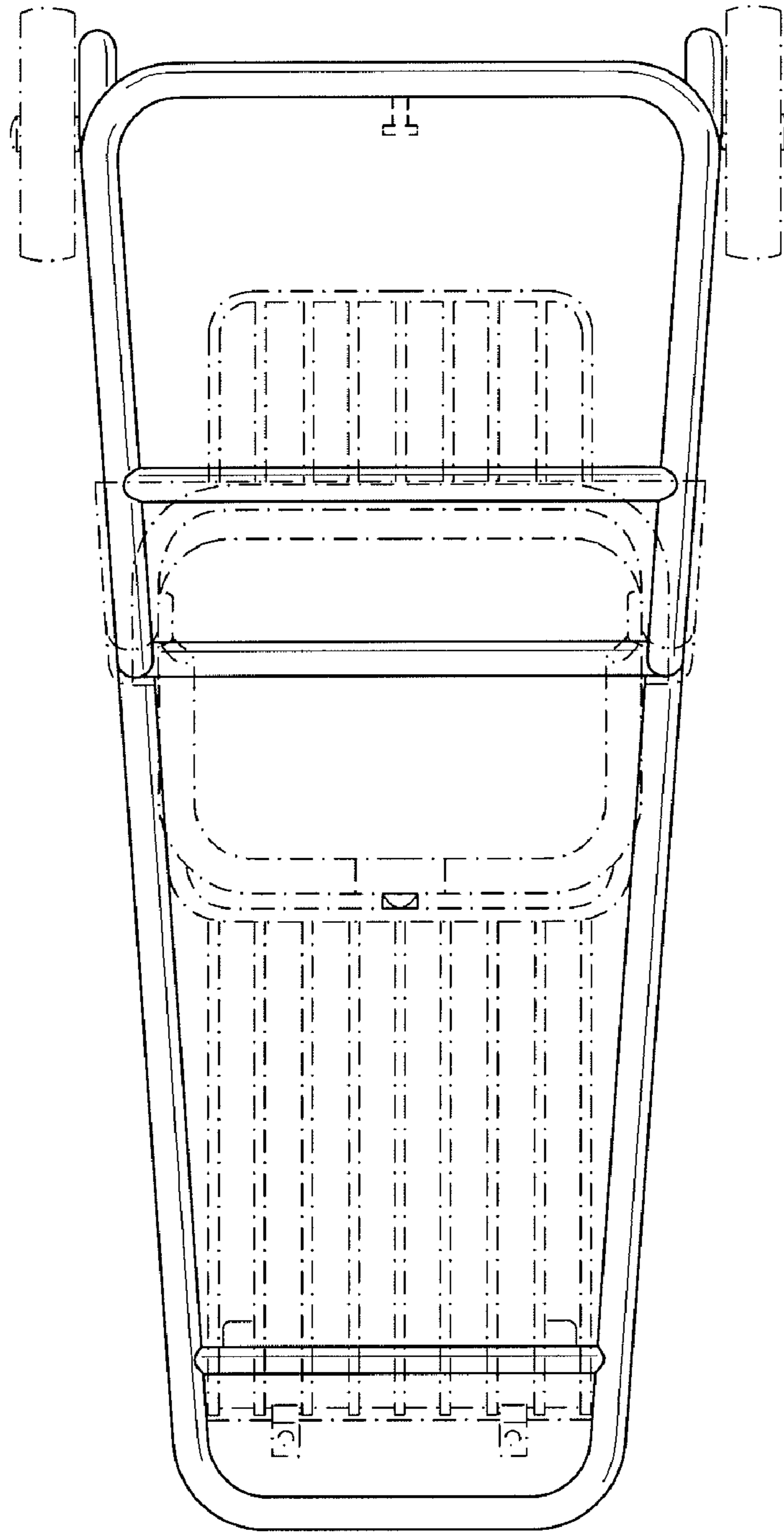


FIG. 5

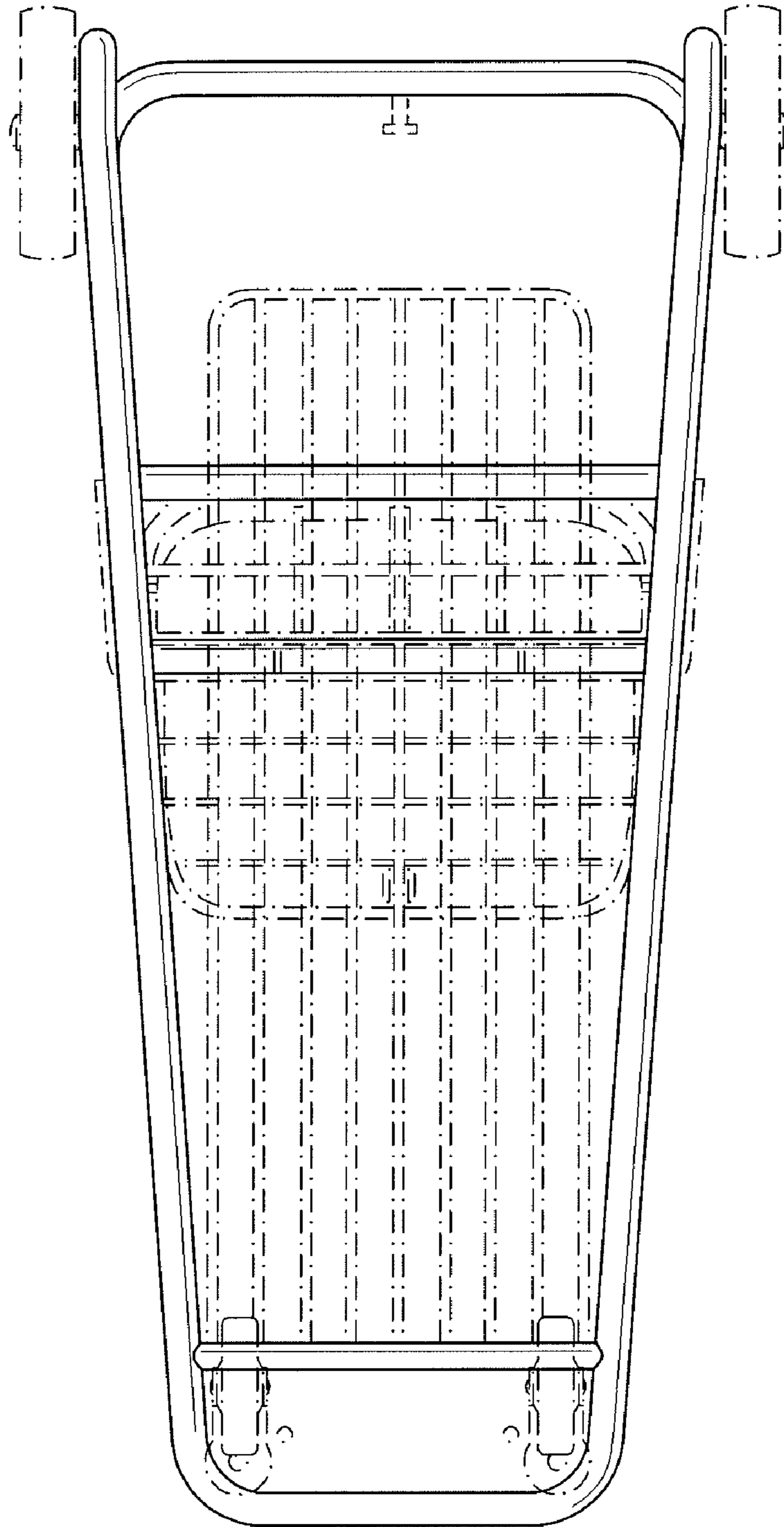


FIG. 6

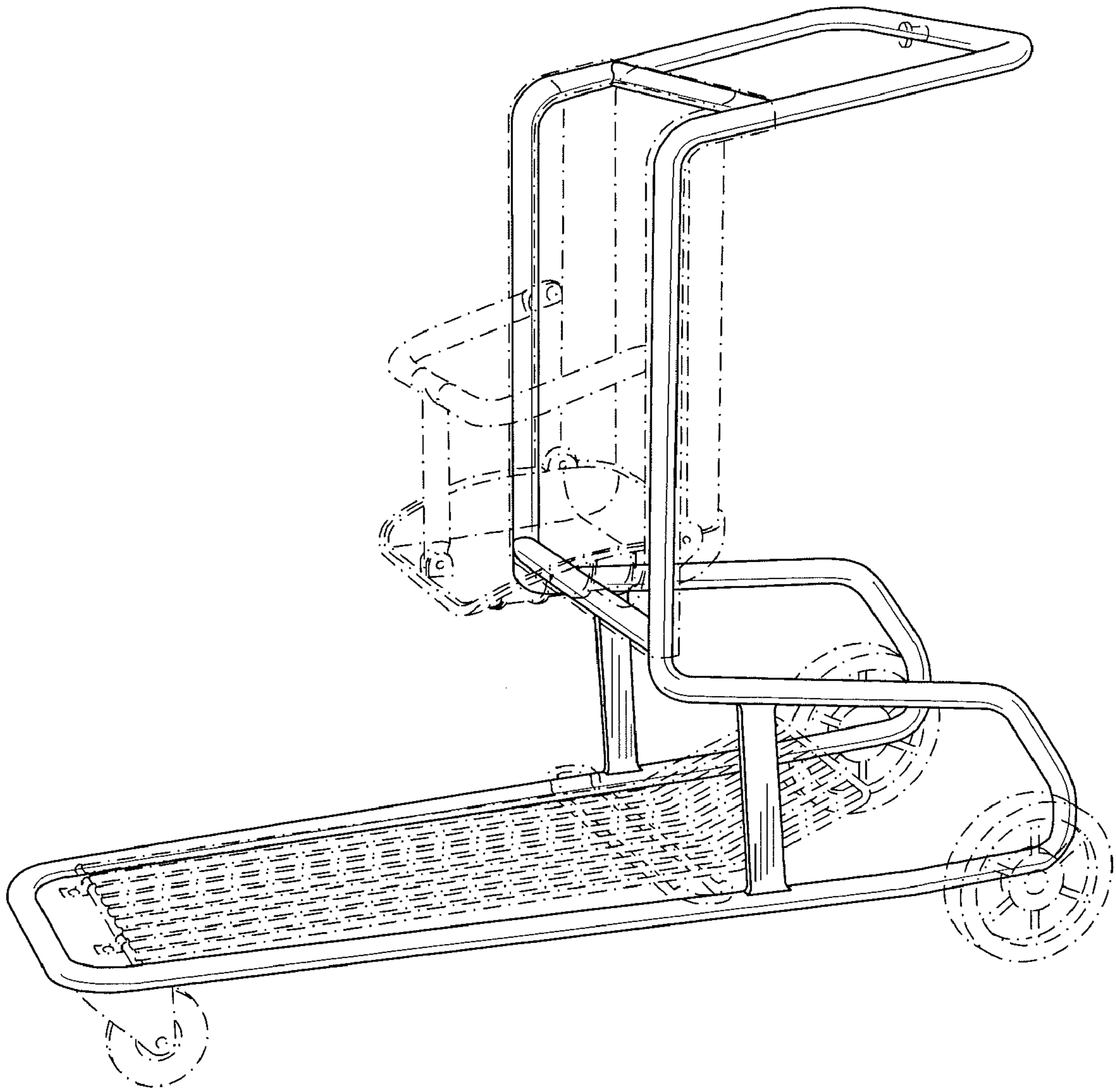


FIG. 7

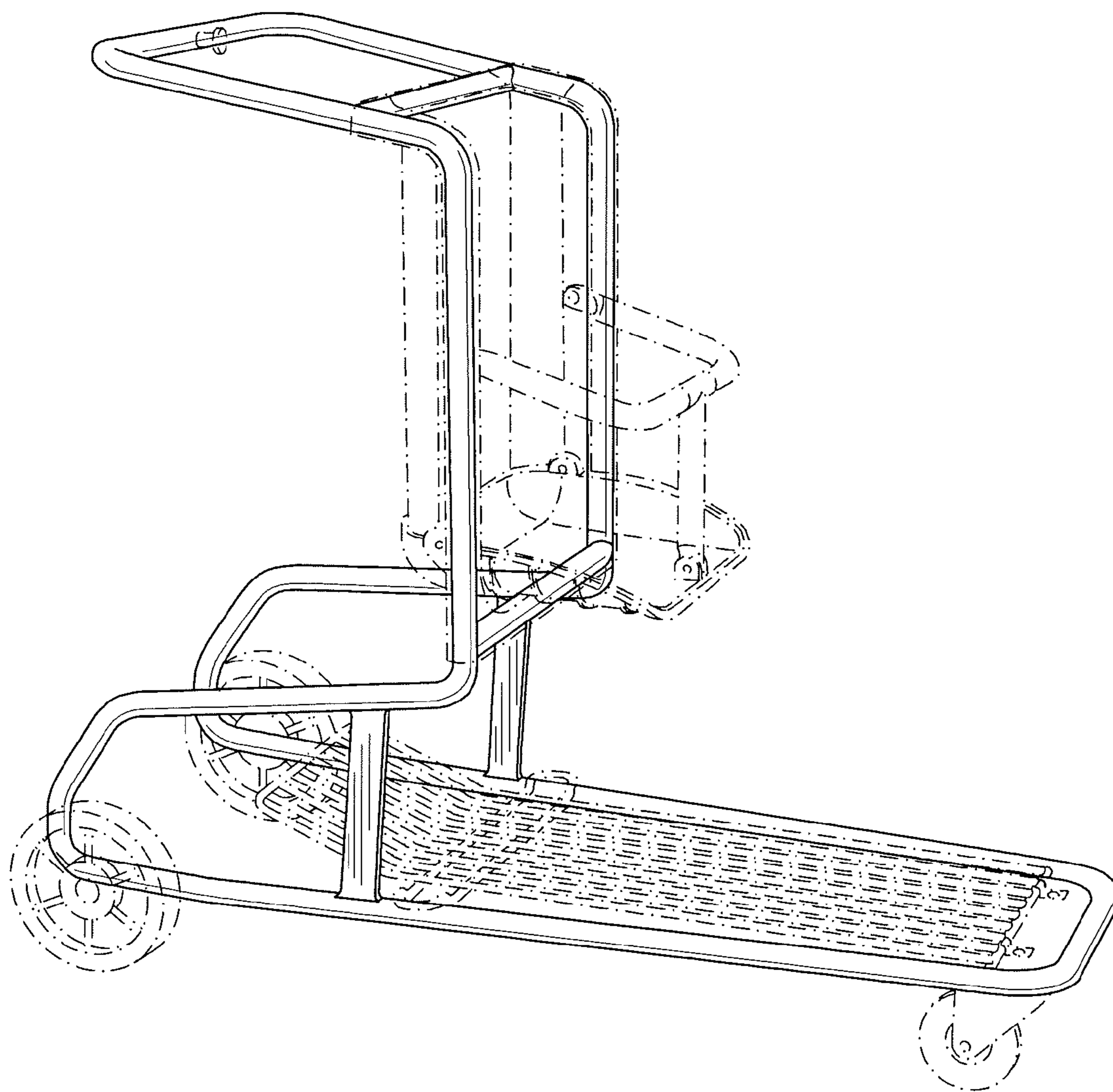


FIG. 8