



US00D589851S

(12) **United States Design Patent**  
**Jane Santamaria**

(10) **Patent No.:** **US D589,851 S**

(45) **Date of Patent:** **\*\* Apr. 7, 2009**

(54) **BABY WALKER**

(75) Inventor: **Manuel Jane Santamaria**, Palau Solita I  
Plegamans (ES)

(73) Assignee: **Jane, S.A.**, Barcelona (ES)

(\*\*) Term: **14 Years**

(21) Appl. No.: **29/291,276**

(22) Filed: **Aug. 22, 2007**

(30) **Foreign Application Priority Data**

Mar. 12, 2007 (EM) ..... 000686712-0001

(51) **LOC (9) Cl.** ..... **12-12**

(52) **U.S. Cl.** ..... **D12/130**; D21/424; D21/433

(58) **Field of Search** ..... D12/128-133;  
280/37, 62, 647-650, 29, 200, 47.4, 47.38,  
280/250.1, 259, 642, 658, 644; 297/30, 130,  
297/DIG. 4; 296/65.3, 65.4; 224/409; D21/433

(56) **References Cited**

U.S. PATENT DOCUMENTS

5,362,272 A \* 11/1994 Chow et al. .... 446/278  
5,441,289 A \* 8/1995 Spielberg ..... 280/87.051  
D389,533 S \* 1/1998 Maxwell ..... D21/428  
D404,087 S \* 1/1999 Larson ..... D21/433

D424,126 S \* 5/2000 Goes et al. .... D21/424  
D426,270 S \* 6/2000 Rubau ..... D21/433  
D448,430 S \* 9/2001 Wang ..... D21/433  
D449,861 S \* 10/2001 Chiapetta et al. .... D21/433  
D453,538 S \* 2/2002 Tseng ..... D21/433  
D531,937 S \* 11/2006 Tolfsen et al. .... D12/131

\* cited by examiner

*Primary Examiner*—Charles A Rademaker

*Assistant Examiner*—Charles D Hanson

(74) *Attorney, Agent, or Firm*—Merchant & Gould P.C.

(57) **CLAIM**

The ornamental design for a baby walker, as shown and described.

**DESCRIPTION**

FIG. 1 is a perspective view of a baby walker showing my new design;

FIG. 2 is a top plan view thereof;

FIG. 3 is a bottom plan view thereof;

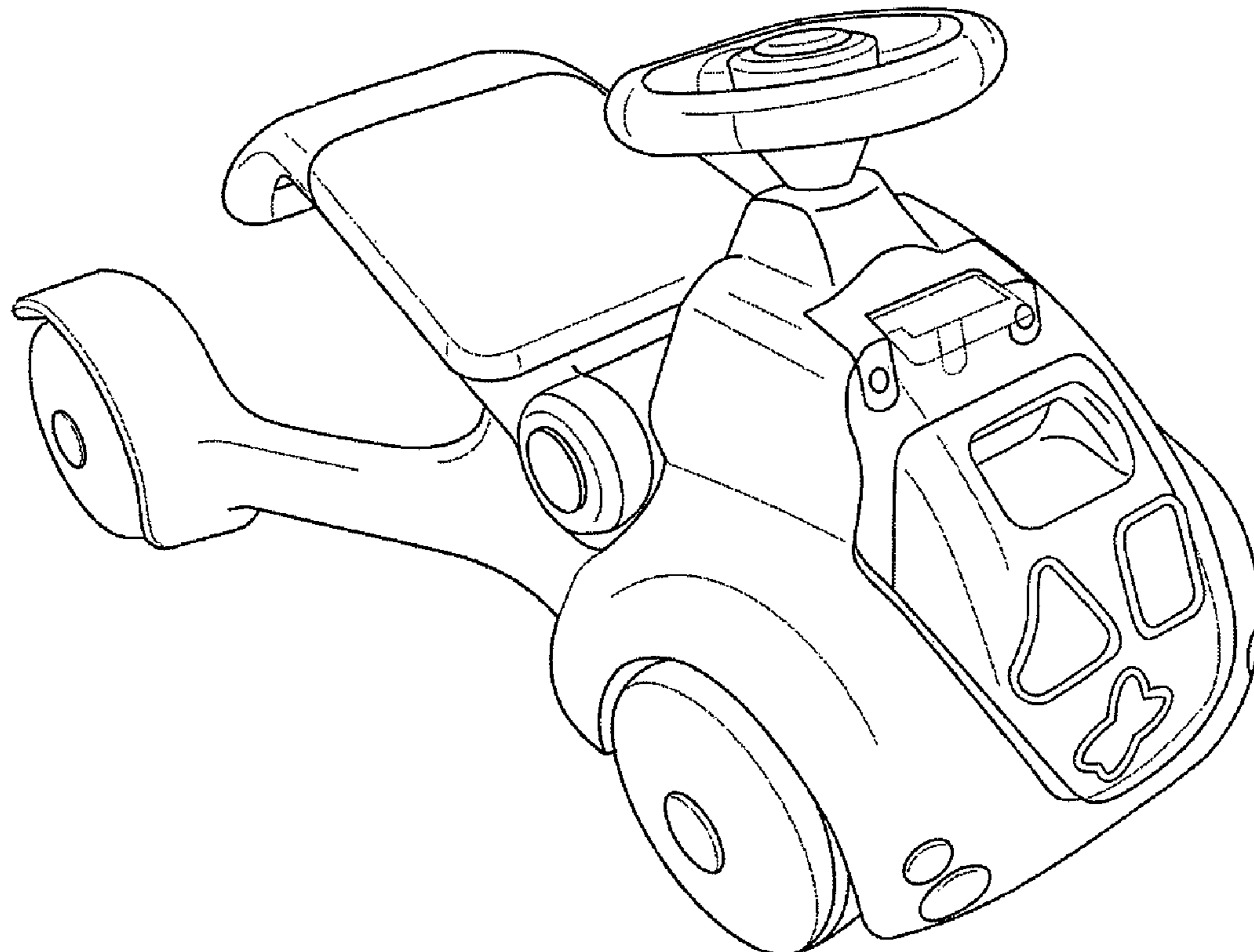
FIG. 4 is a front elevational view thereof;

FIG. 5 is a rear elevational view thereof;

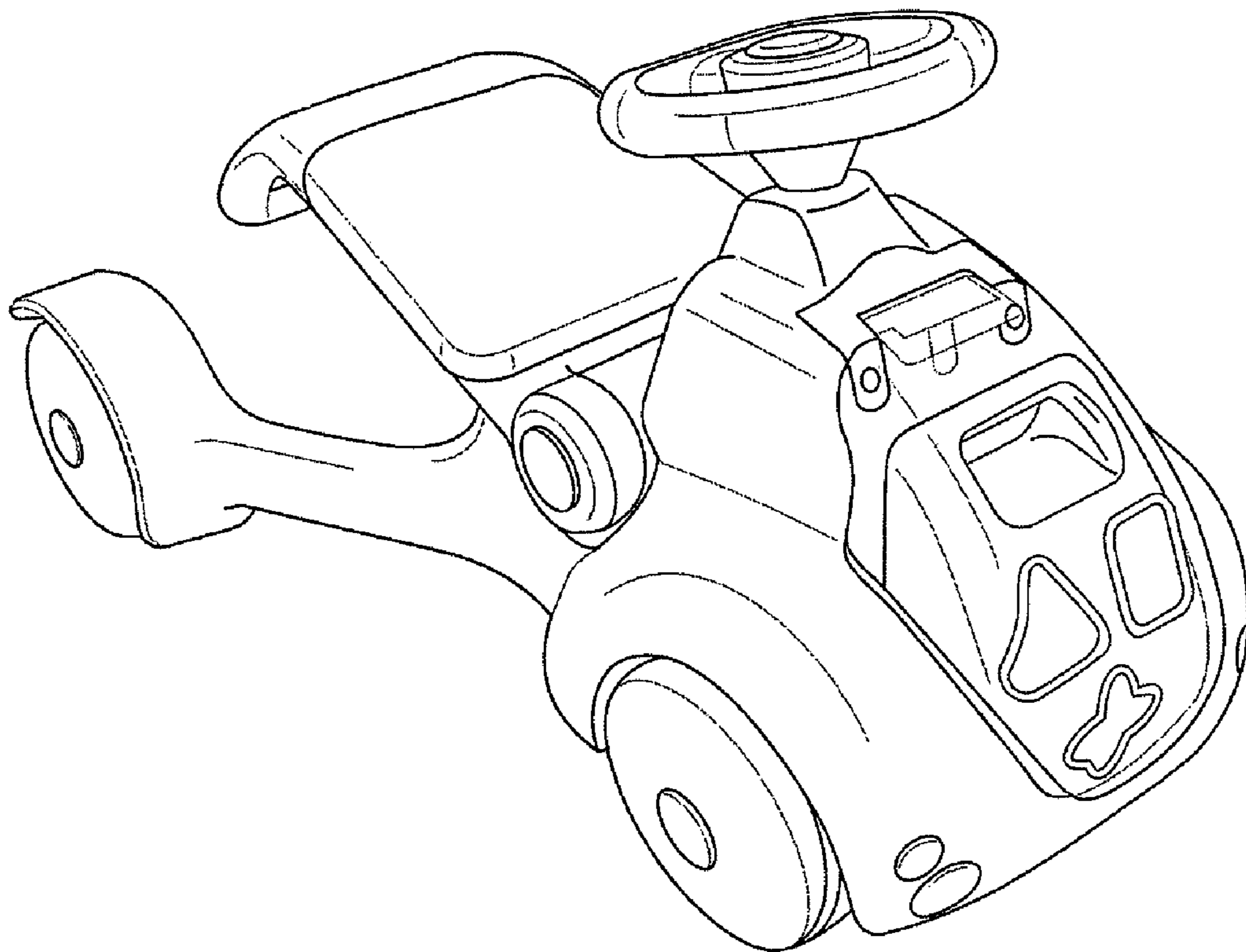
FIG. 6 is a left side elevational view thereof; and,

FIG. 7 is a right side elevational view thereof.

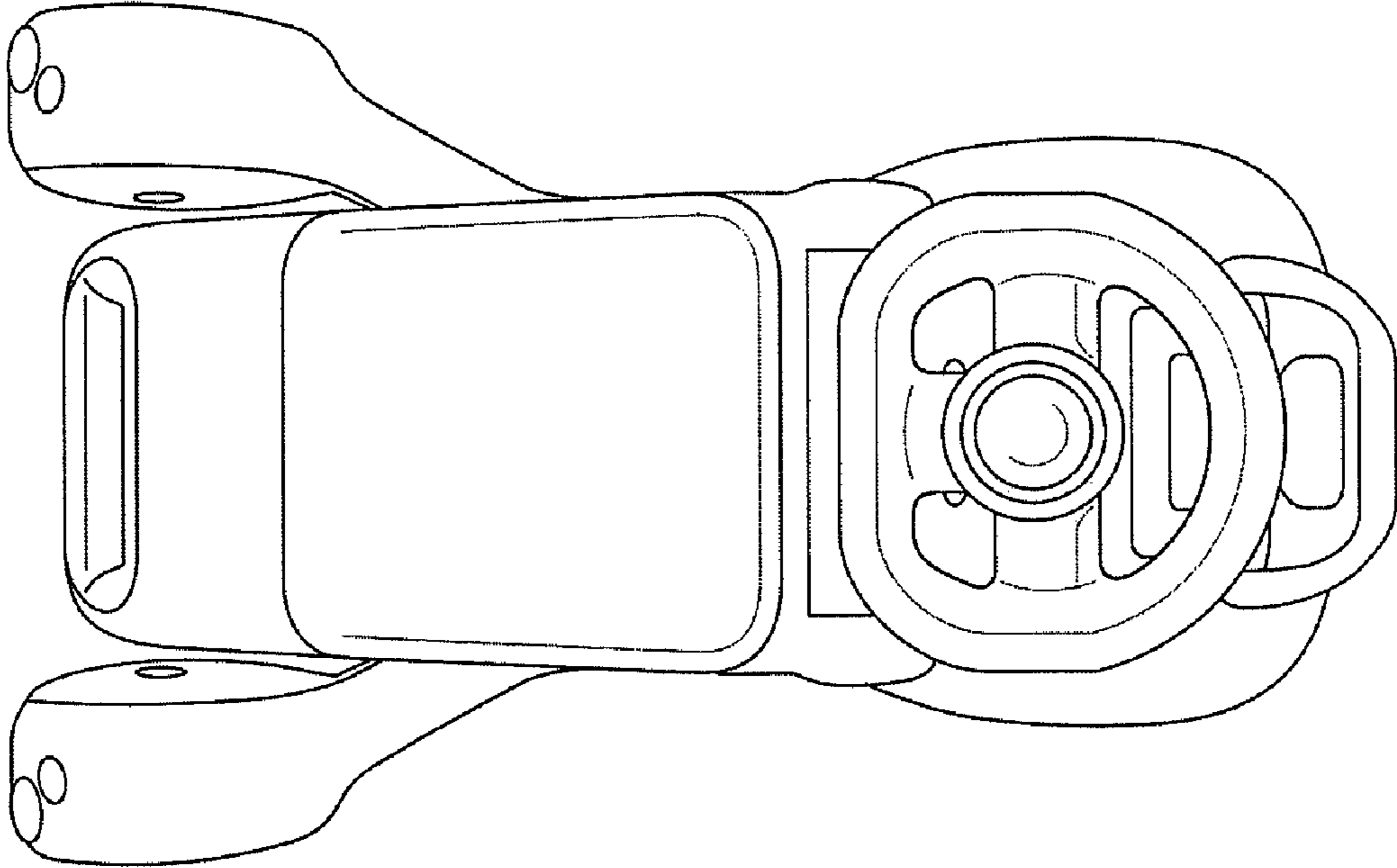
**1 Claim, 7 Drawing Sheets**



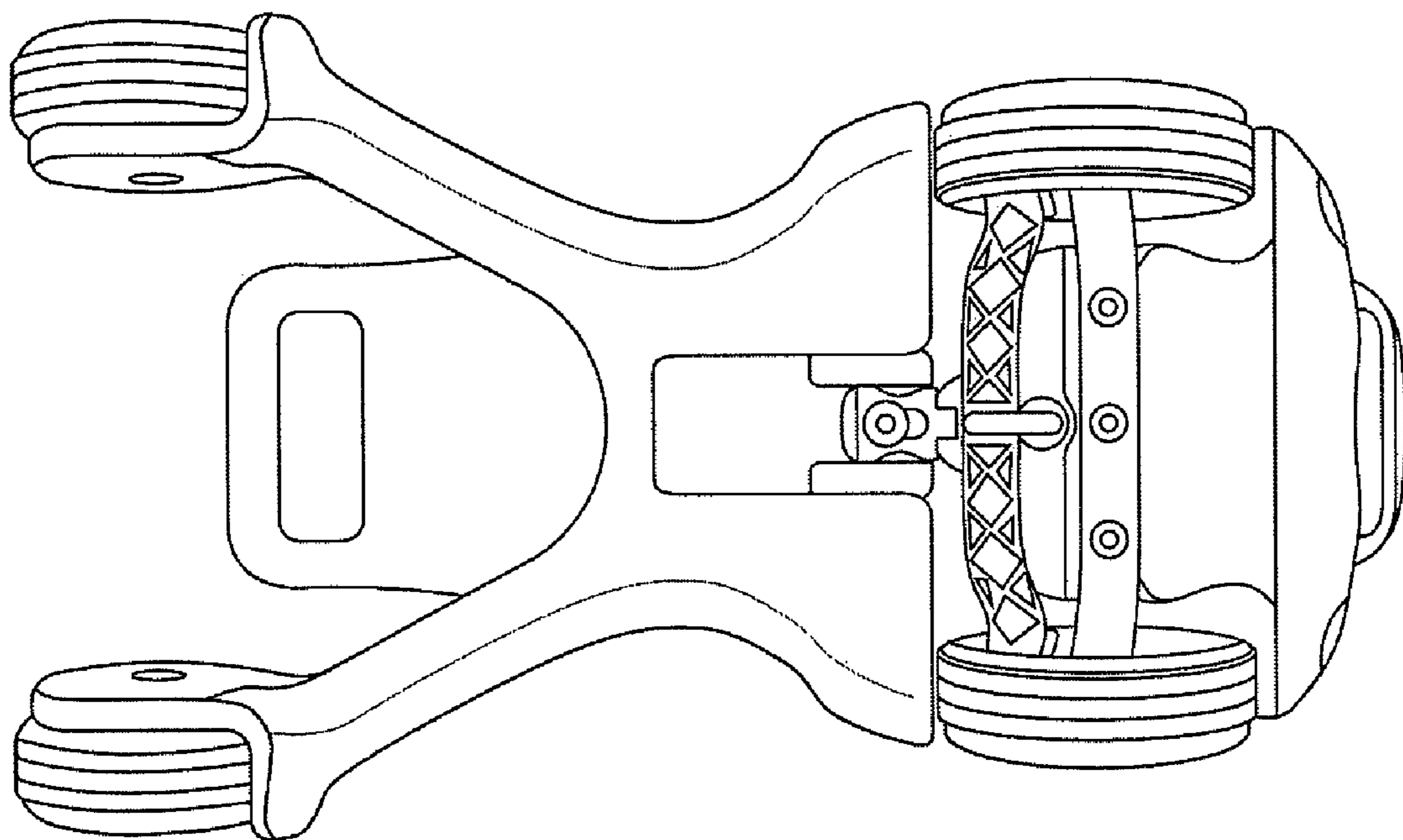
**FIG. 1**



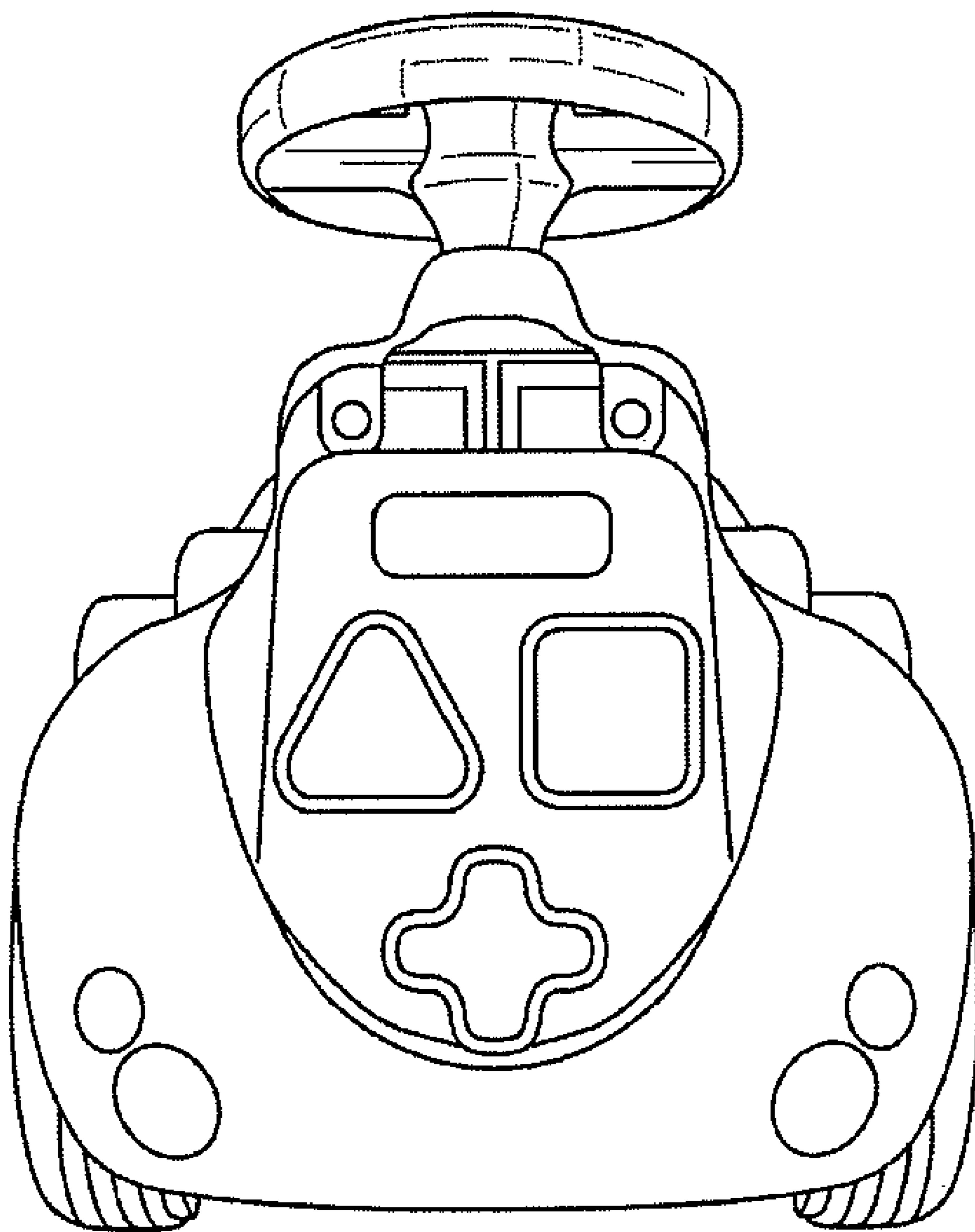
**FIG. 2**



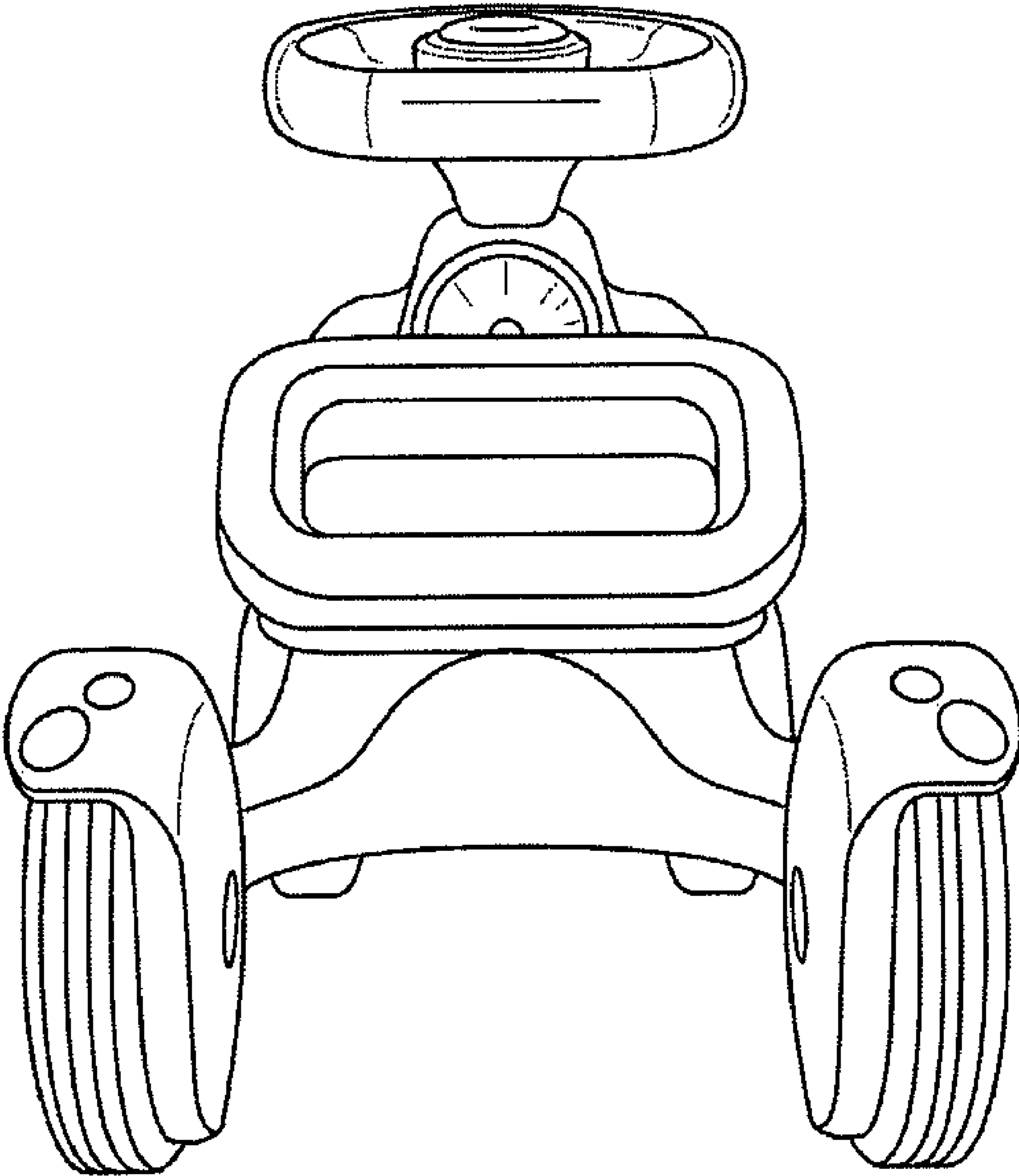
**FIG. 3**



**FIG. 4**

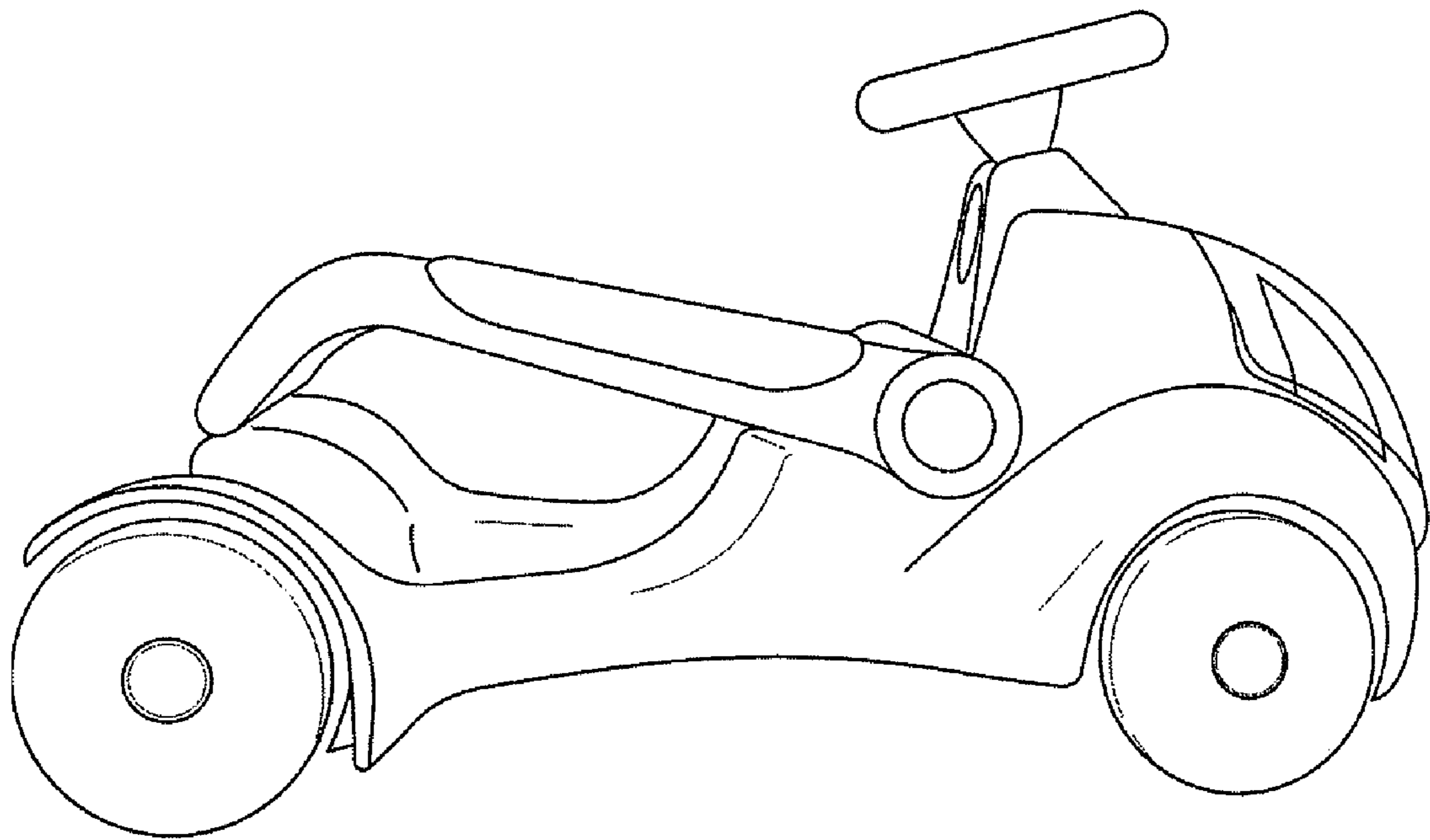


**FIG. 5**





**FIG. 6**



**FIG. 7**

