



US00D589849S

(12) **United States Design Patent**
Powell et al.

(10) **Patent No.:** **US D589,849 S**

(45) **Date of Patent:** **** Apr. 7, 2009**

(54) **PATIENT TRANSPORT DEVICE**

D506,954 S * 7/2005 Lara D12/133
7,100,226 B1 9/2006 Walton

(75) Inventors: **Susan Powell**, La Center, WA (US);
Mary Jane Best, Beaverton, OR (US)

(73) Assignee: **Oregon Health & Science University**,
Portland, OR (US)

(**) Term: **14 Years**

(21) Appl. No.: **29/299,575**

(22) Filed: **Dec. 28, 2007**

(51) **LOC (9) Cl.** **12-12**

(52) **U.S. Cl.** **D12/128**

(58) **Field of Classification Search** D12/128-133;
280/62, 647-650, 29, 200, 47.38, 35, 250.1,
280/259, 642, 658; 296/65.03, 65.04; 135/65-67,
135/74; 5/625-629; 128/870, 846

See application file for complete search history.

(56) **References Cited**

U.S. PATENT DOCUMENTS

2,788,530	A *	4/1957	Ferguson	5/628
4,922,562	A *	5/1990	Allred et al.	5/627
D325,893	S *	5/1992	Schuster	D12/128
5,150,487	A	9/1992	Hemphill		
5,190,055	A *	3/1993	O'Connor	128/869
5,211,186	A *	5/1993	Shoemaker et al.	5/628
5,839,137	A	11/1998	Butler		
D416,368	S *	11/1999	Brewer et al.	D34/27
5,978,989	A *	11/1999	Chavez	5/627
D421,413	S *	3/2000	Calkin	D12/128
D435,493	S *	12/2000	Jewell et al.	D12/128
6,363,936	B1	4/2002	McCormick		
D459,276	S *	6/2002	Dahlberg et al.	D12/128
6,427,271	B1 *	8/2002	Gadzia et al.	5/627
6,851,145	B2 *	2/2005	Smith et al.	5/627
D506,710	S *	6/2005	Hurtado	D12/133

OTHER PUBLICATIONS

Internet Screen Shot from Armstrong Medical Industries, Inc. website (www.armstrongmedical.com) for a Reeves Stretcher, Aug. 11, 2008.

Internet Screen Shot from Armstrong Medical Industries, Inc. website (www.armstrongmedical.com) for a Reeves Sleeve with Carrying Case, Aug. 11, 2008.

Internet Screen Shot from Needi Safety Supply (www.needi-supply.com) for a Full Body Vacuum Splint, Aug. 11, 2008.

Internet Screen Shot from USEMC (www.usemc.com) for a Thomas Transfer flat, Aug. 11, 2008.

* cited by examiner

Primary Examiner—Ian Simmons

Assistant Examiner—Charles D Hanson

(74) *Attorney, Agent, or Firm*—Schwabe, Williamson & Wyatt

(57) **CLAIM**

The ornamental design for patient transport device, as shown and described.

DESCRIPTION

FIG. 1 is a perspective view of a patient transport device showing our new invention;

FIG. 2 is a bottom view thereof;

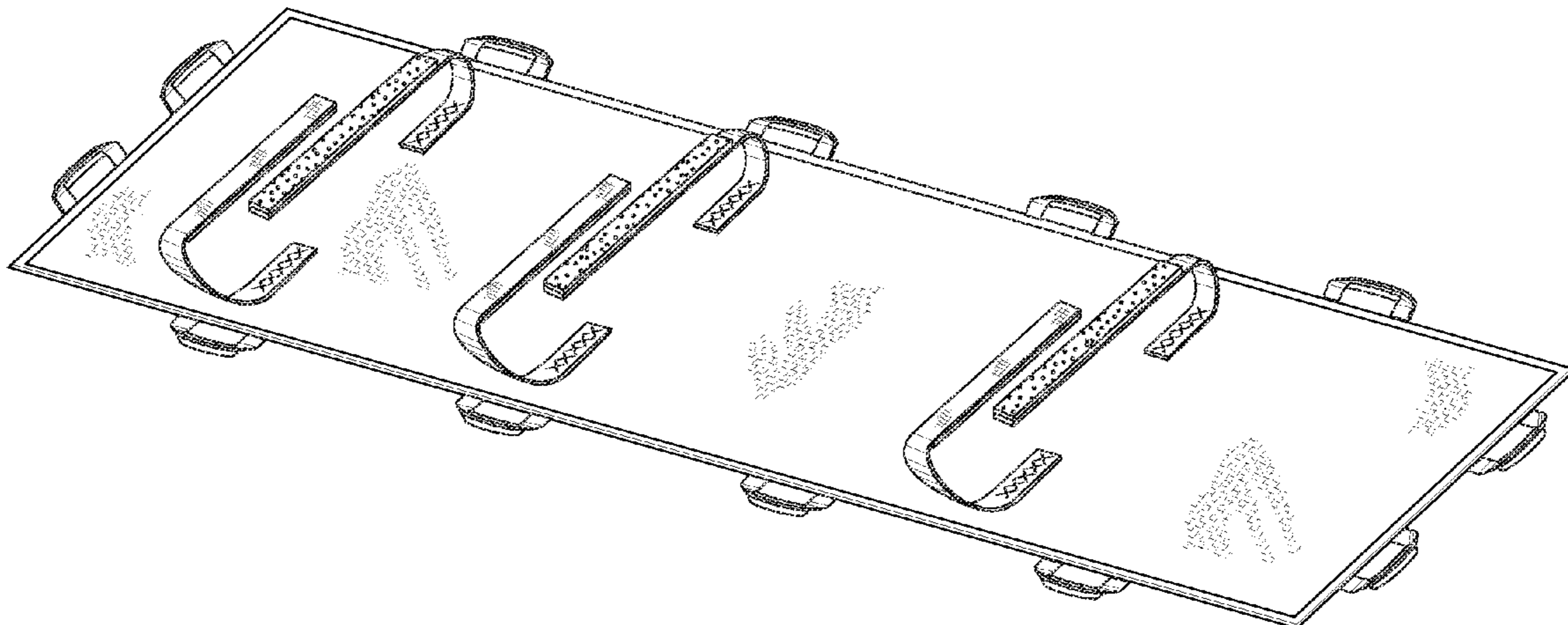
FIG. 3 is a top view thereof;

FIG. 4 is an end view thereof; and,

FIG. 5 is a side view thereof.

The dashed line showing of a body in FIG. 3 is included for the purpose of illustrating environment and forms no part of the claimed design. The texture applied to the broad surfaces of FIGS. 1-3 implies a texture applied over the entire surface.

1 Claim, 2 Drawing Sheets



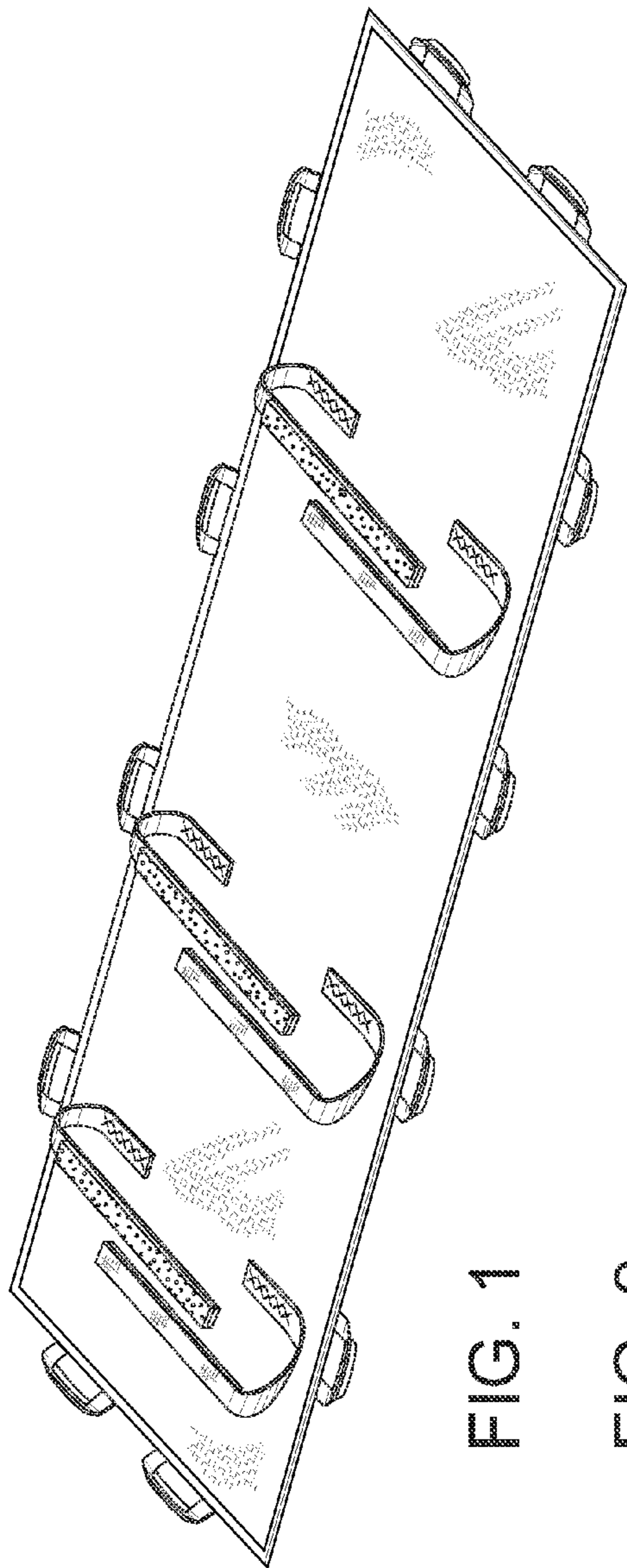


FIG. 1

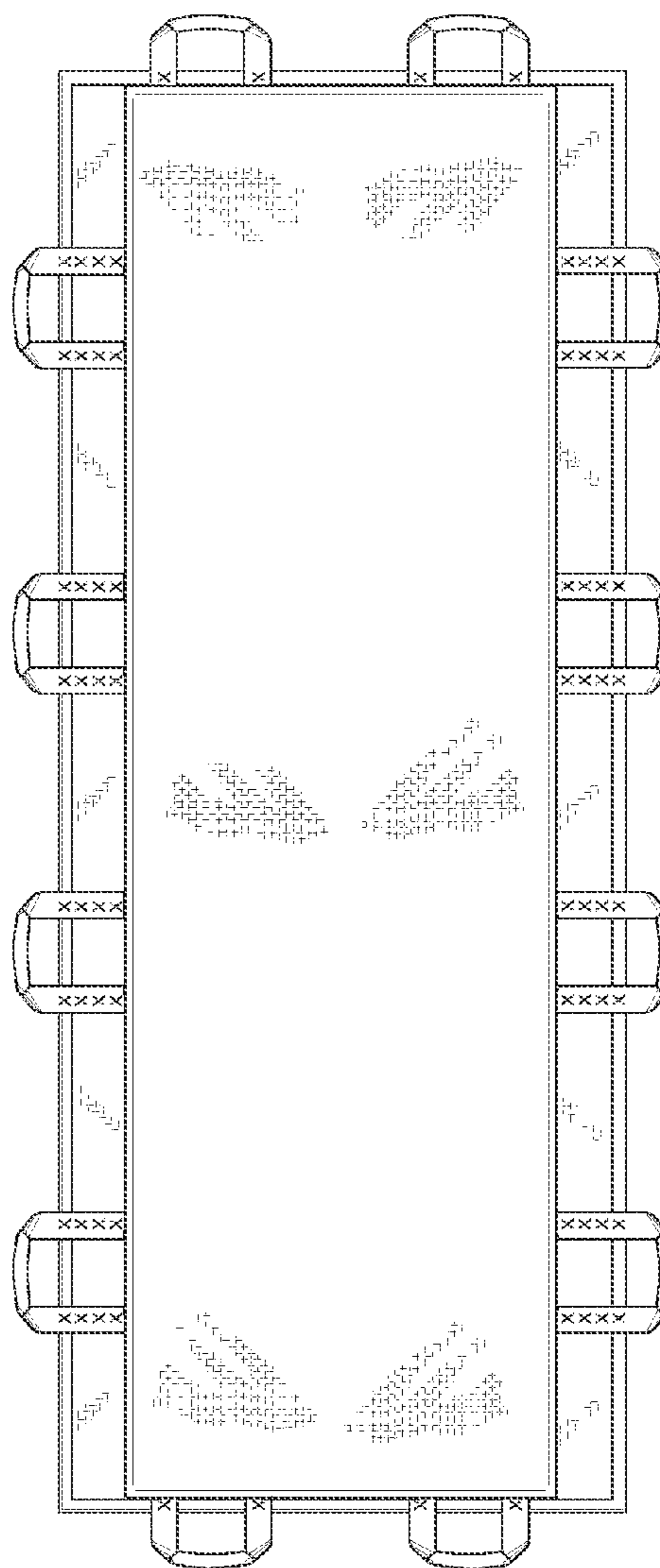


FIG. 2

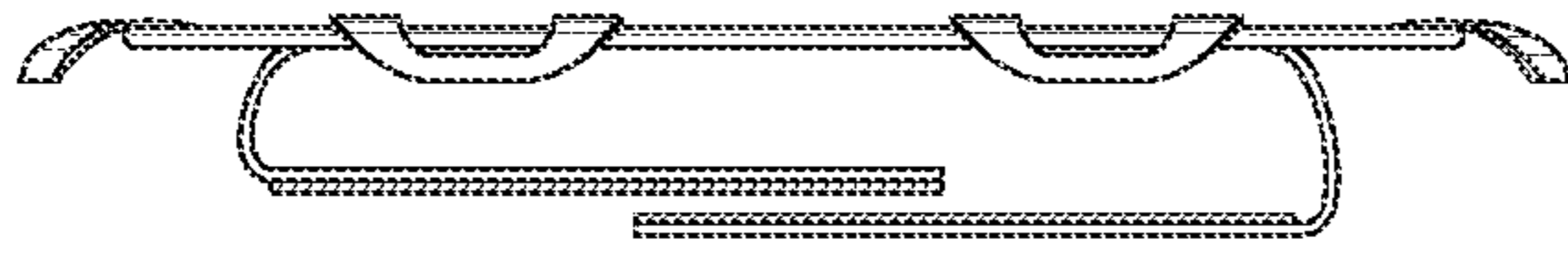


FIG. 4

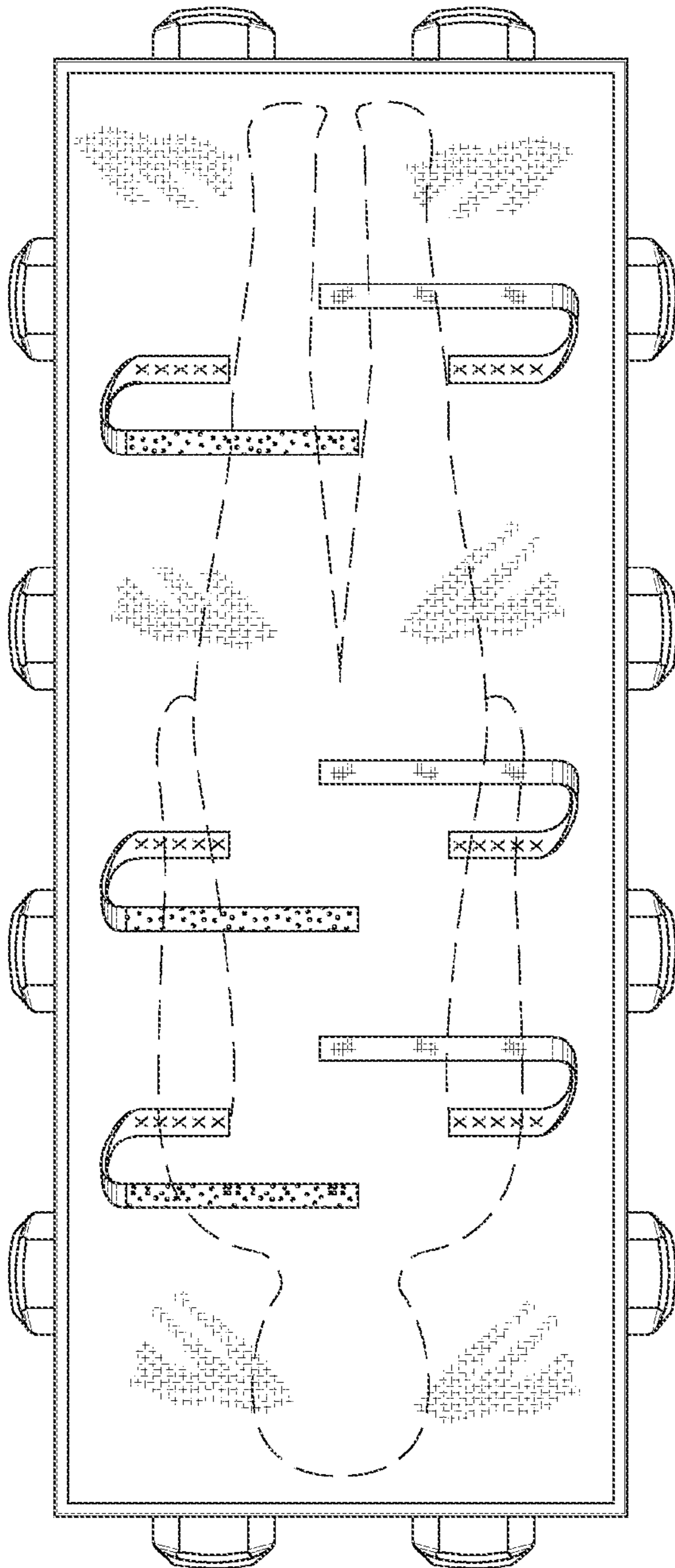


FIG. 3



FIG. 5