



US00D589845S

(12) **United States Design Patent**
Shamenkov et al.

(10) **Patent No.:** **US D589,845 S**

(45) **Date of Patent:** **** Apr. 7, 2009**

(54) **AUTOMOBILE BODY**

(75) Inventors: **Anton Shamenkov**, Royal Oak, MI (US); **Jeffrey C. Gale**, Rochester Hills, MI (US); **Steven W. Ferrerio**, Troy, MI (US)

(73) Assignee: **Chrysler LLC**, Auburn Hills, MI (US)

(**) Term: **14 Years**

(21) Appl. No.: **29/320,125**

(22) Filed: **Jun. 20, 2008**

(51) **LOC (9) Cl.** **12-08**

(52) **U.S. Cl.** **D12/92**

(58) **Field of Classification Search** D12/86,
D12/90-92; 296/181.1, 181.5
See application file for complete search history.

(56) **References Cited**

U.S. PATENT DOCUMENTS

D408,329 S	4/1999	Anness et al.
D454,813 S	3/2002	Boniface et al.
D466,444 S	12/2002	Meadows
D513,395 S	1/2006	Pizzuti et al.

D554,563 S	*	11/2007	Moushegian et al.	D12/91
D554,564 S	*	11/2007	Vardis et al.	D12/92
D565,466 S	*	4/2008	Moushegian et al.	D12/91
D568,211 S	*	5/2008	Vardis et al.	D12/91

* cited by examiner

Primary Examiner—Melody N Brown

(74) *Attorney, Agent, or Firm*—Ralph E. Smith

(57) **CLAIM**

The ornamental design for an automobile body, as shown and described.

DESCRIPTION

FIG. 1 is a front perspective view of an automobile body showing our new design;

FIG. 2 is a rear perspective view thereof;

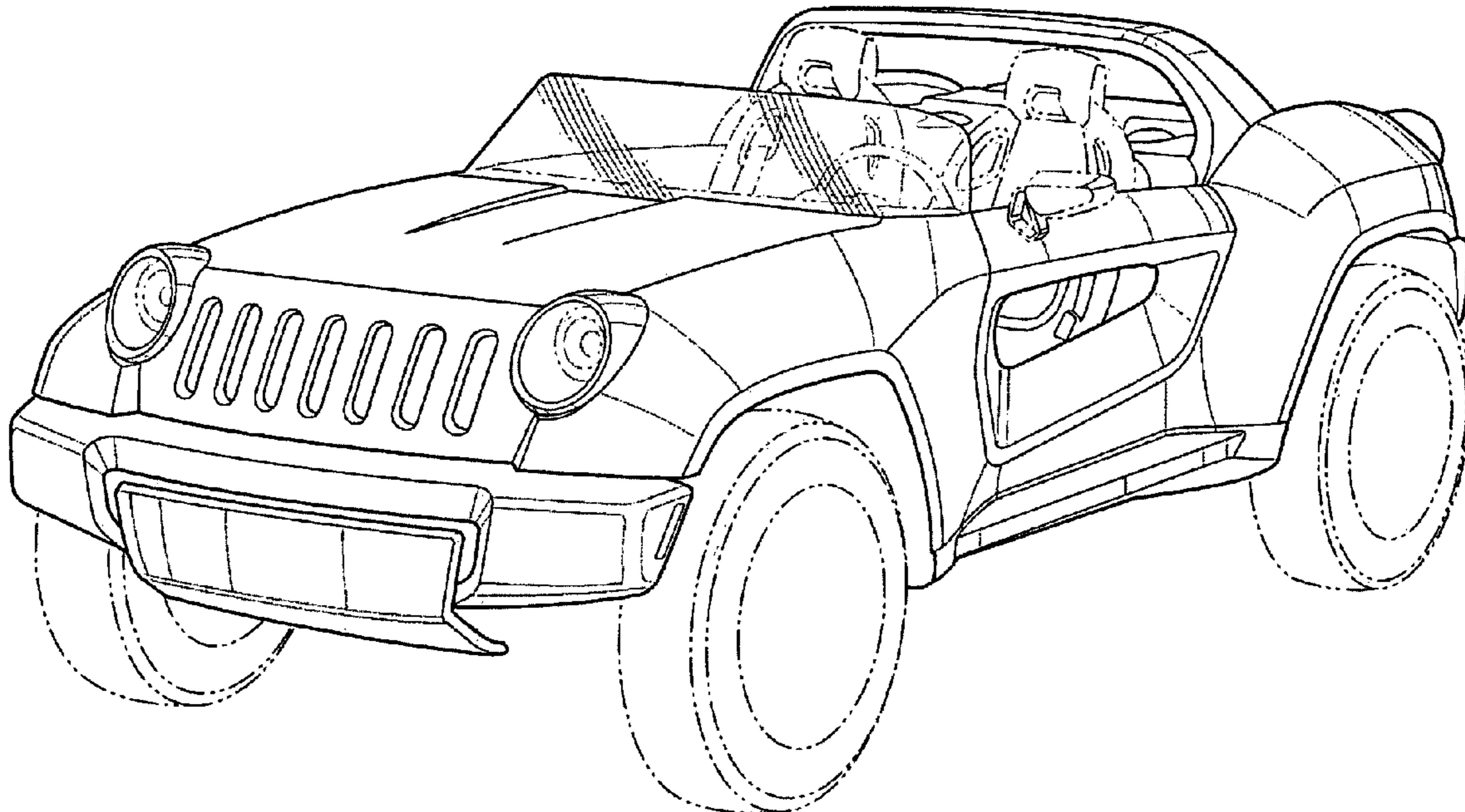
FIG. 3 is a side view thereof;

FIG. 4 is a front view thereof; and,

FIG. 5 is a rear view thereof.

It will be understood that the broken lines presented in the drawings are for illustration only, and do not form a part of the claimed design.

1 Claim, 5 Drawing Sheets



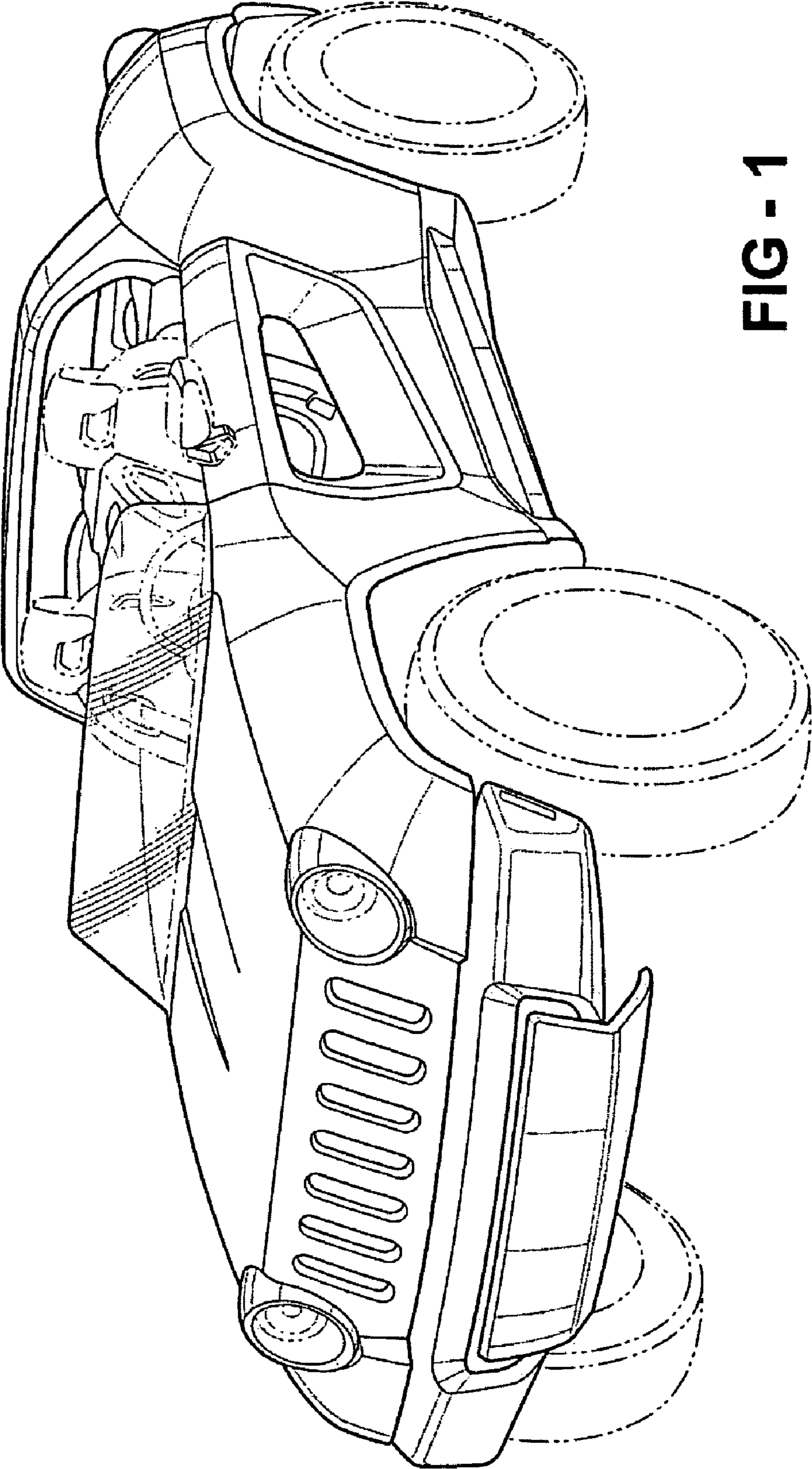


FIG - 1

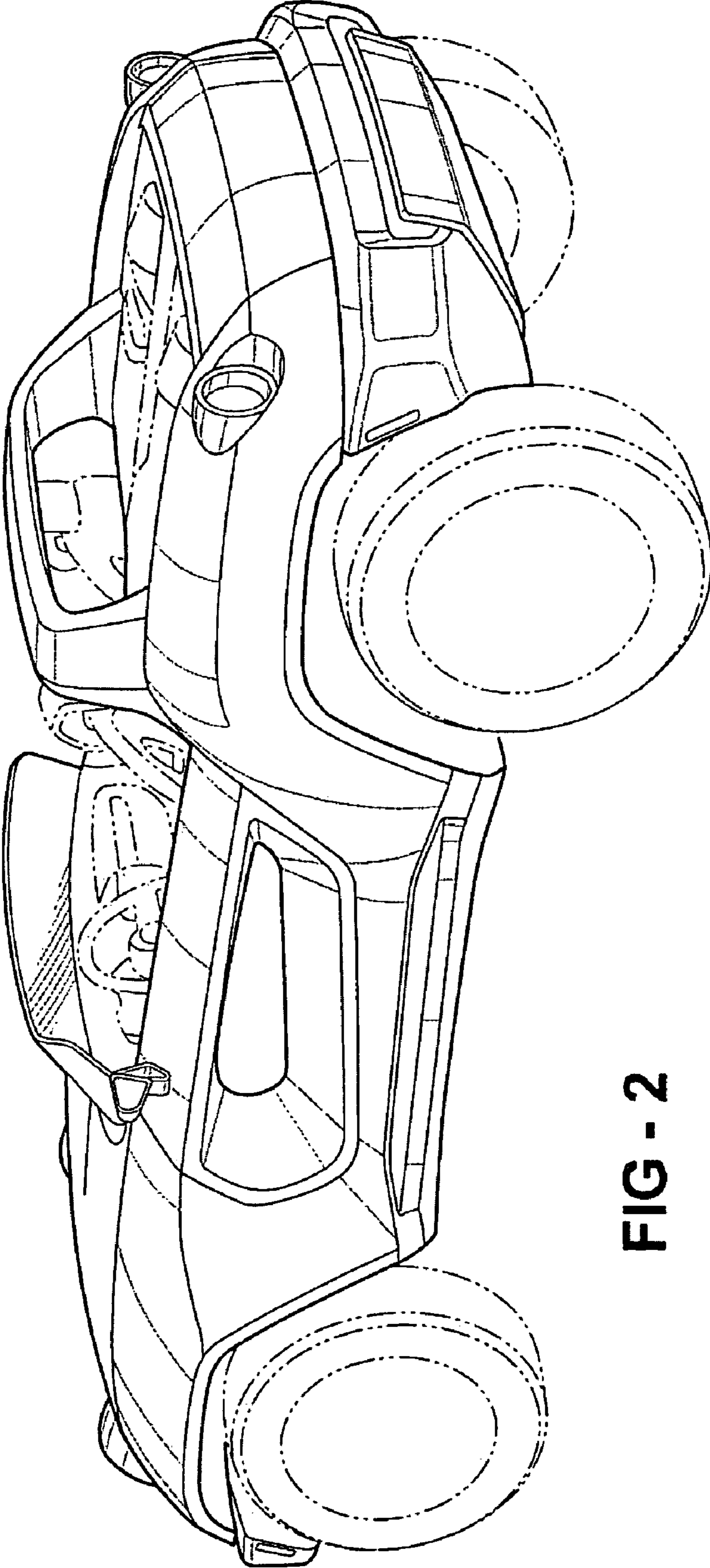


FIG - 2

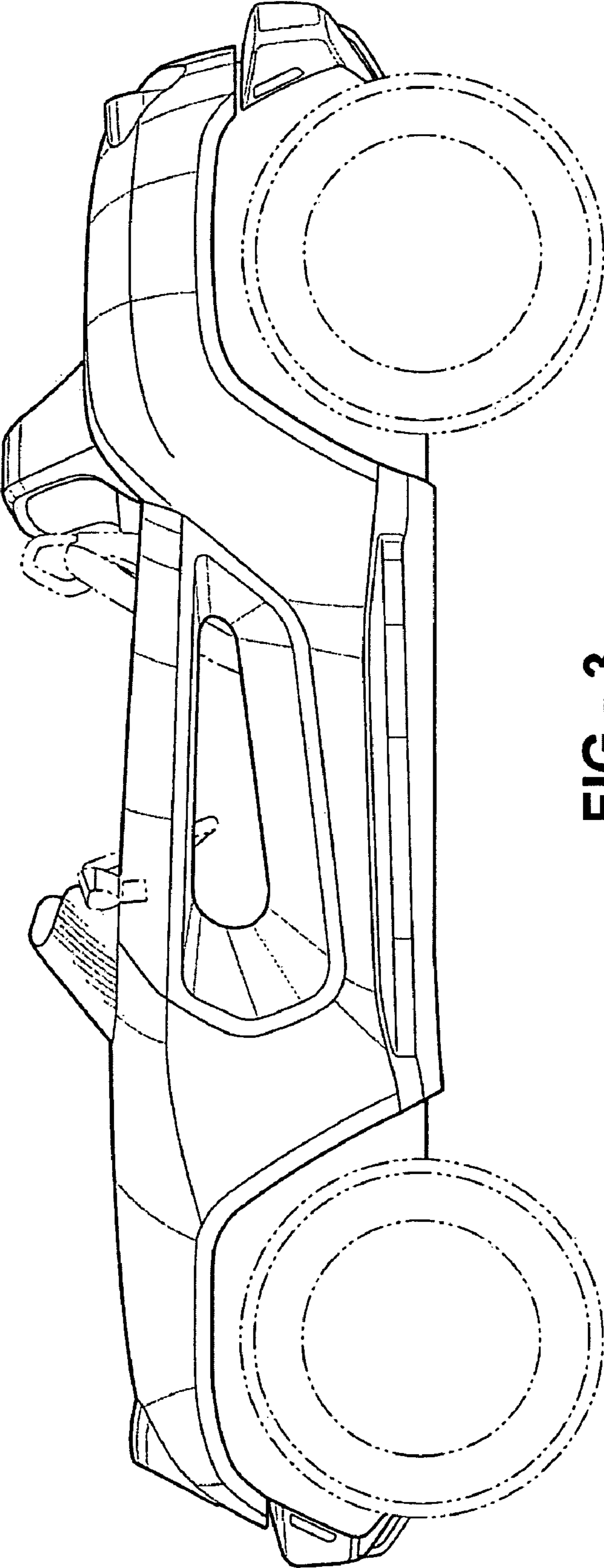


FIG - 3

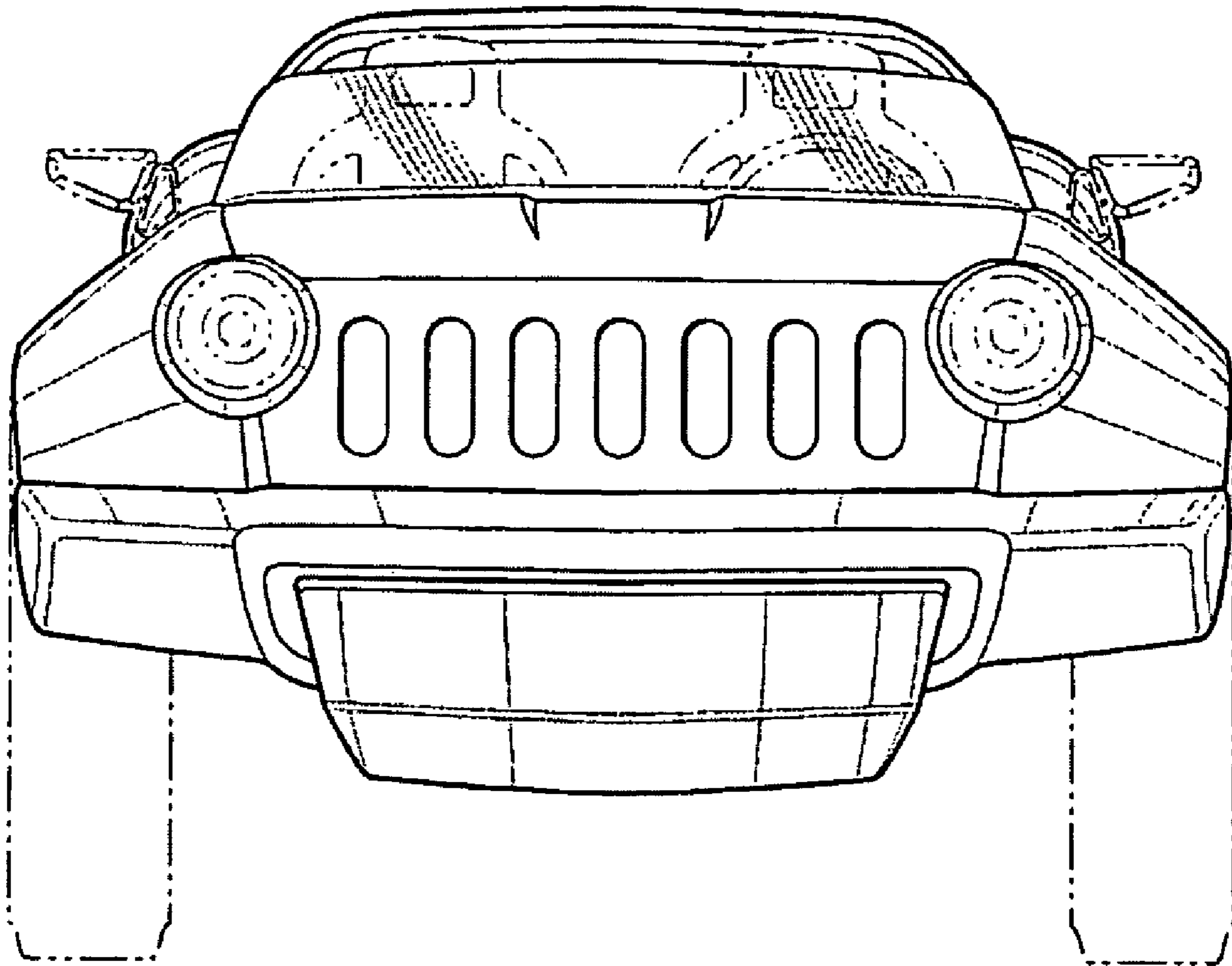


FIG - 4

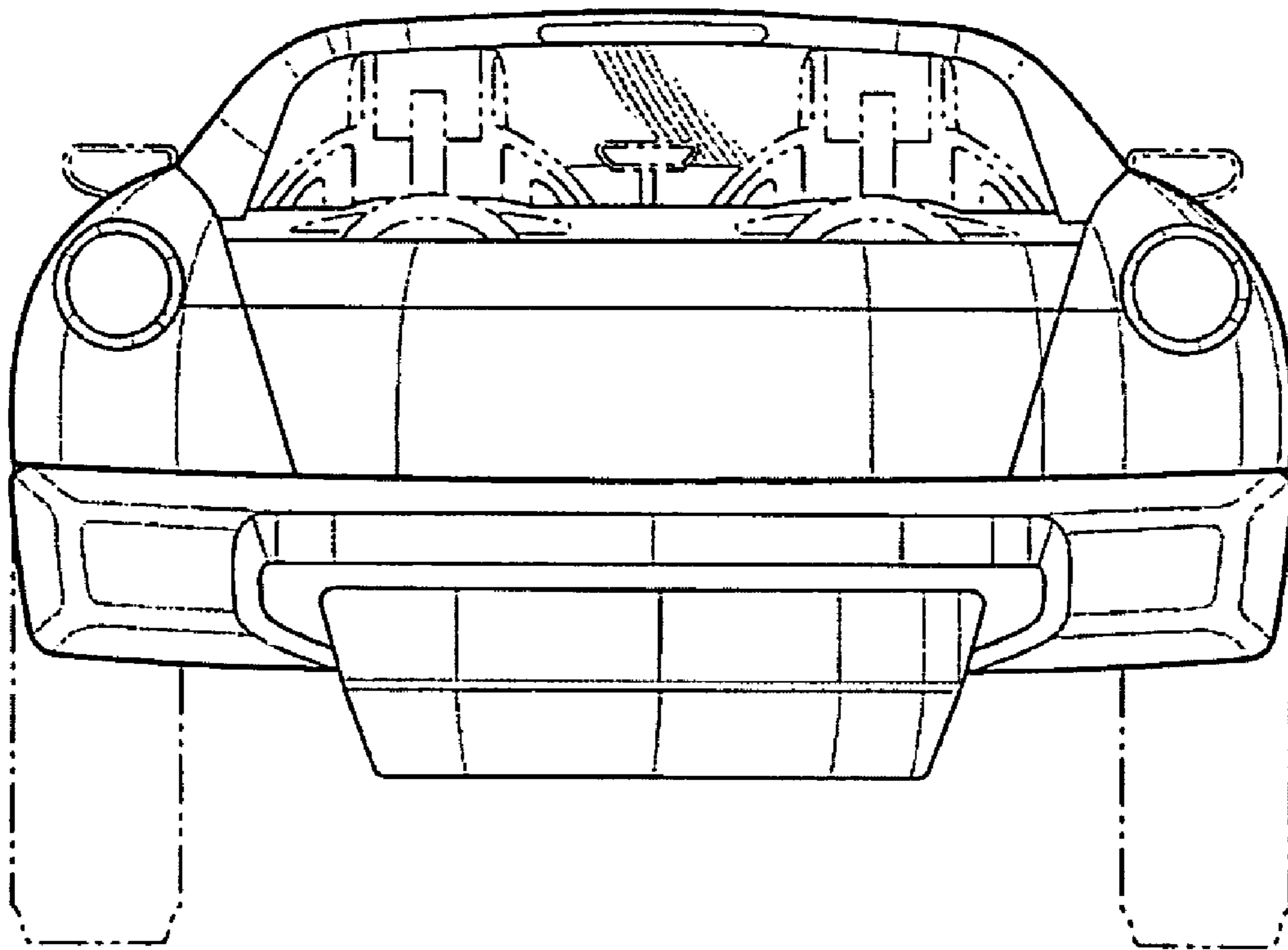


FIG - 5