



US00D589843S

(12) **United States Design Patent**
Hanson et al.

(10) **Patent No.:** **US D589,843 S**
(45) **Date of Patent:** **** Apr. 7, 2009**

(54) **PLASTIC FLOOR BOARD**

2006/0169549 A1 8/2006 Lang et al.

(75) Inventors: **Donald S. Hanson**, Evans, GA (US);
Anthony R. Rossello, Eagle Mountain,
UT (US)

FOREIGN PATENT DOCUMENTS

(73) Assignee: **Textron Inc.**, Providence, RI (US)

JP	2003078662 A	3/2003
KR	20010087831 A	9/2001
KR	20010097378 A	11/2001
KR	20020043321 A	6/2002
WO	2004067327 A2	8/2004
WO	2004067360	8/2004

(**) Term: **14 Years**

* cited by examiner

(21) Appl. No.: **29/278,550**

(22) Filed: **Apr. 2, 2007**

Primary Examiner—T. Chase Nelson

Assistant Examiner—Ania K Dworzecka

(51) **LOC (9) Cl.** **12-02**

(52) **U.S. Cl.** **D12/16**

(58) **Field of Classification Search** D12/410,
D12/16, 400; D34/15; 296/184.1, 181.1,
296/187.08, 193.01

(74) *Attorney, Agent, or Firm*—Harness, Dickey & Pierce,
P.L.C.

See application file for complete search history.

(57) **CLAIM**

The ornamental design for a plastic floor board, as shown and described.

(56) **References Cited**

DESCRIPTION

U.S. PATENT DOCUMENTS

4,865,378 A *	9/1989	Filtri et al.	296/193.07
6,666,501 B1 *	12/2003	Logan et al.	296/193.07
6,793,276 B2 *	9/2004	Sugihara et al.	296/204
D498,436 S	11/2004	Bonner et al.		
7,011,359 B2	3/2006	Watanabe et al.		
D539,702 S *	4/2007	Hanson et al.	D12/16
2004/0140690 A1	7/2004	Watanabe et al.		

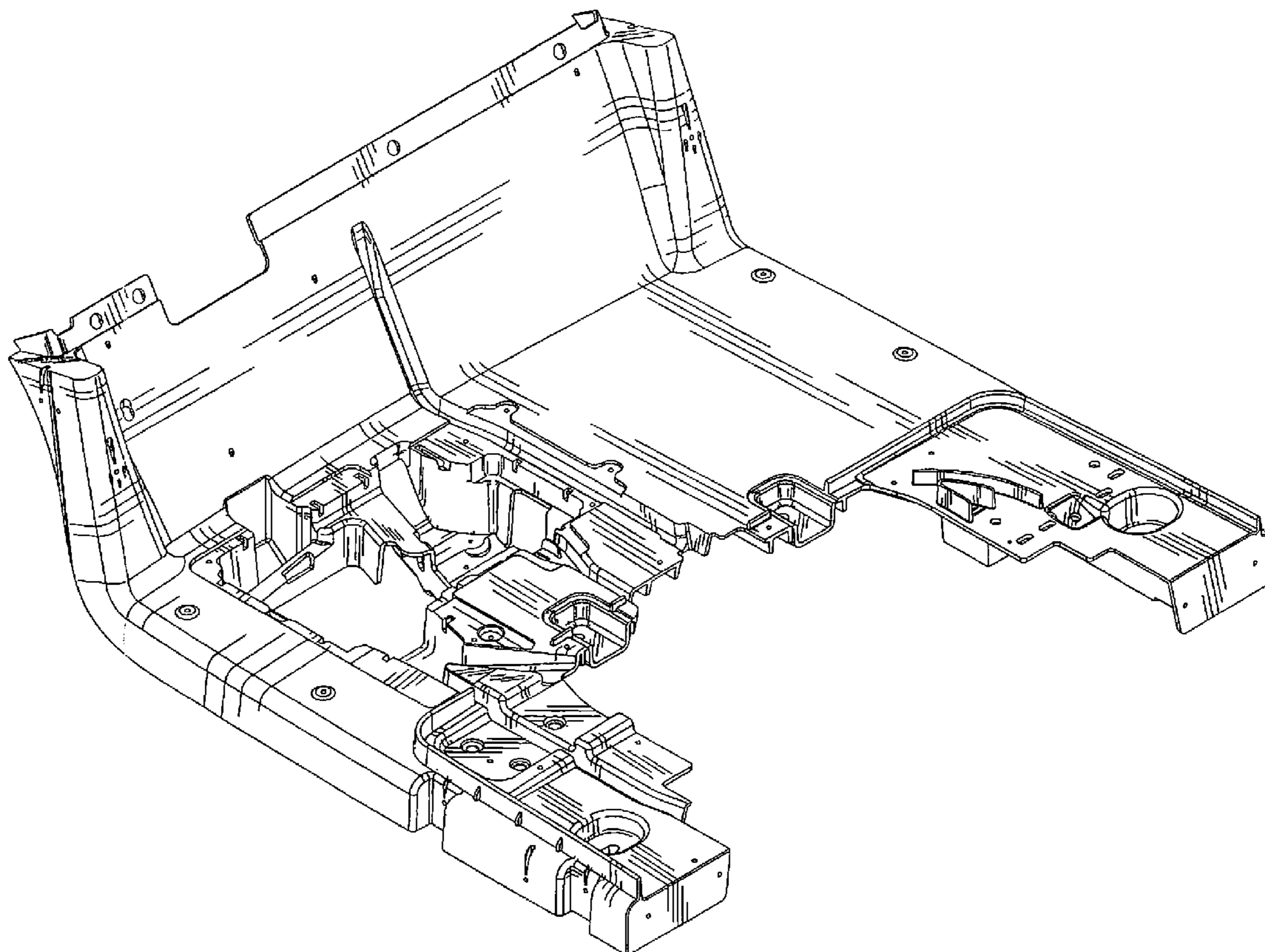
FIG. 1 is a perspective view of a plastic floor board;

FIG. 2 is a rear plan view thereof;

FIG. 3 is a left side view thereof (the right side view being a mirror image of the left side); and,

FIG. 4 is a top view thereof.

1 Claim, 3 Drawing Sheets



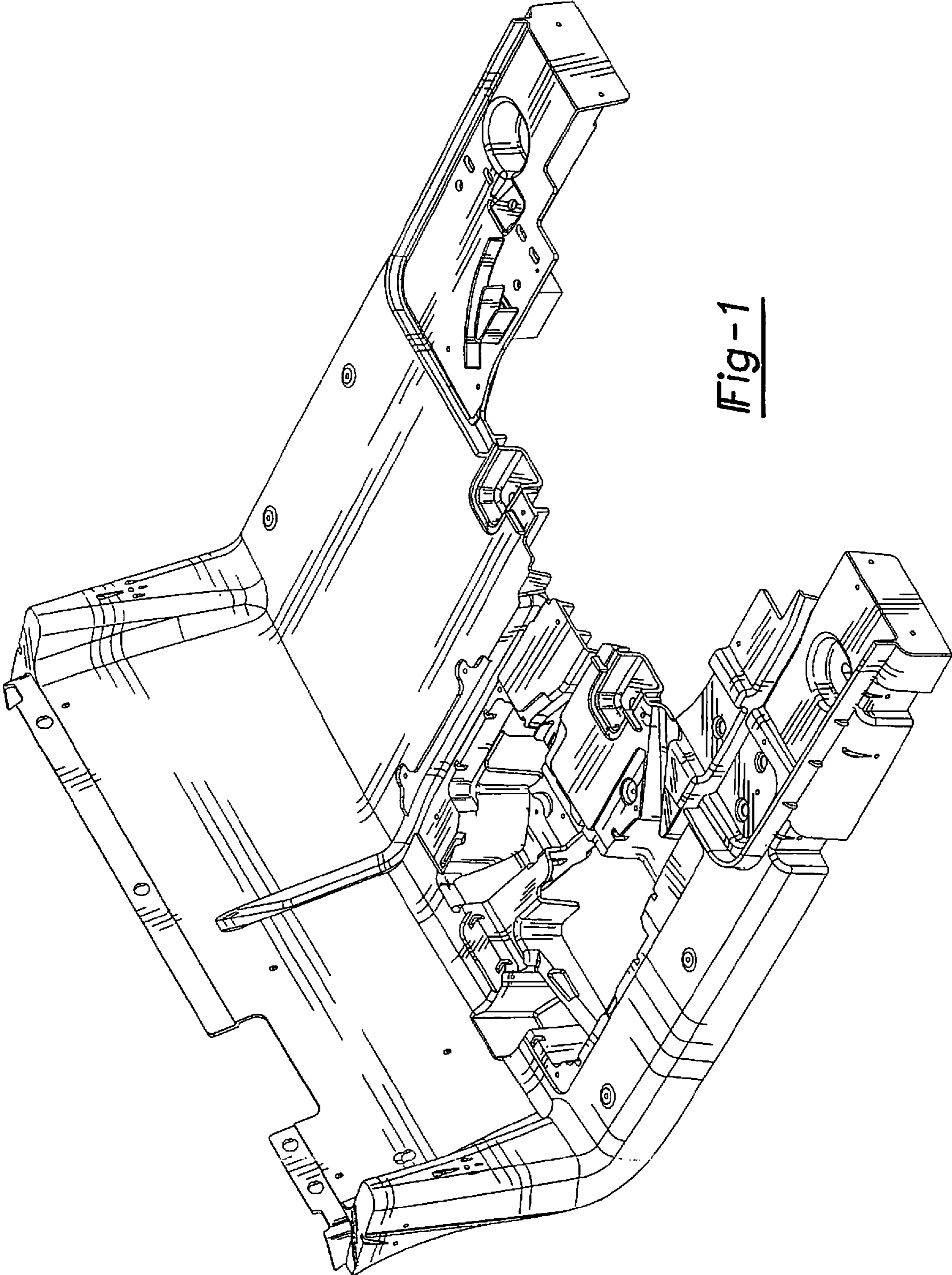


Fig-1

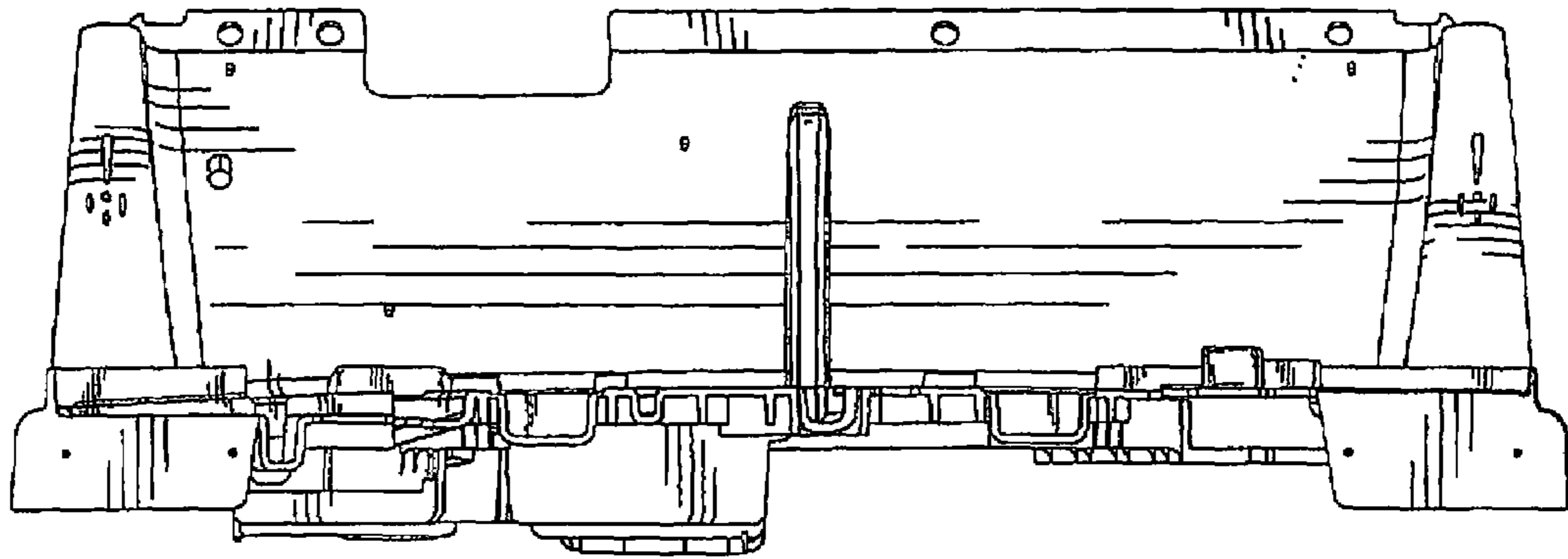


Fig-2

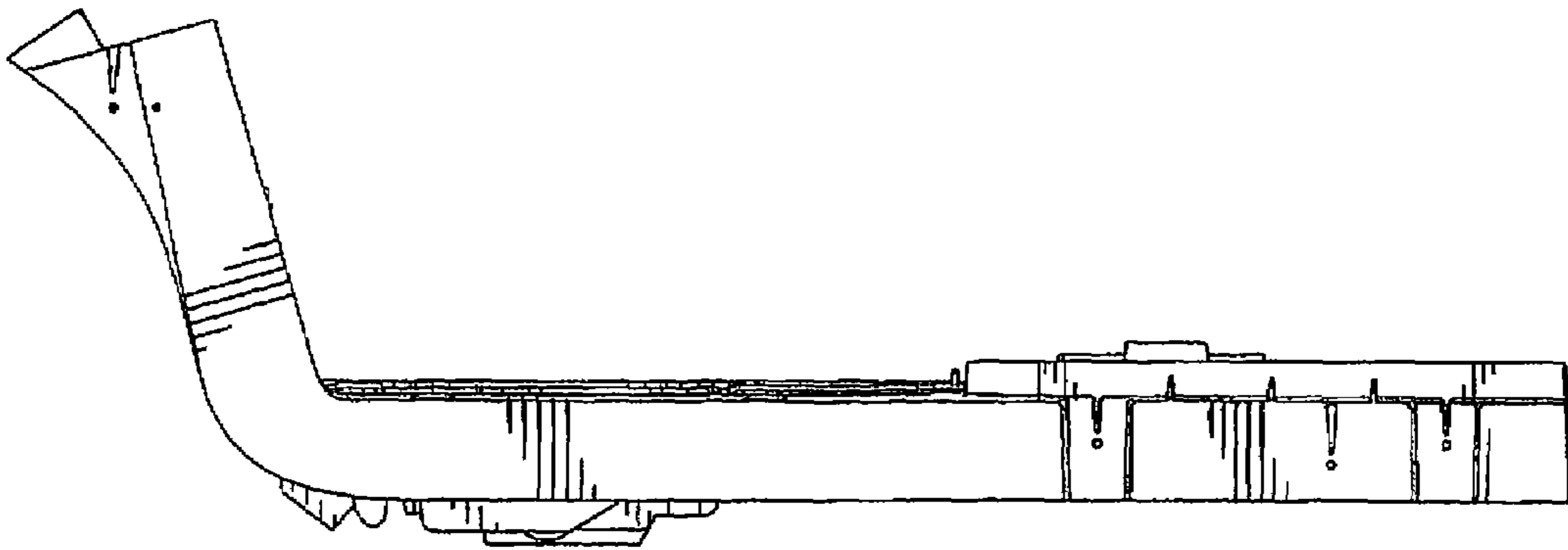


Fig-3

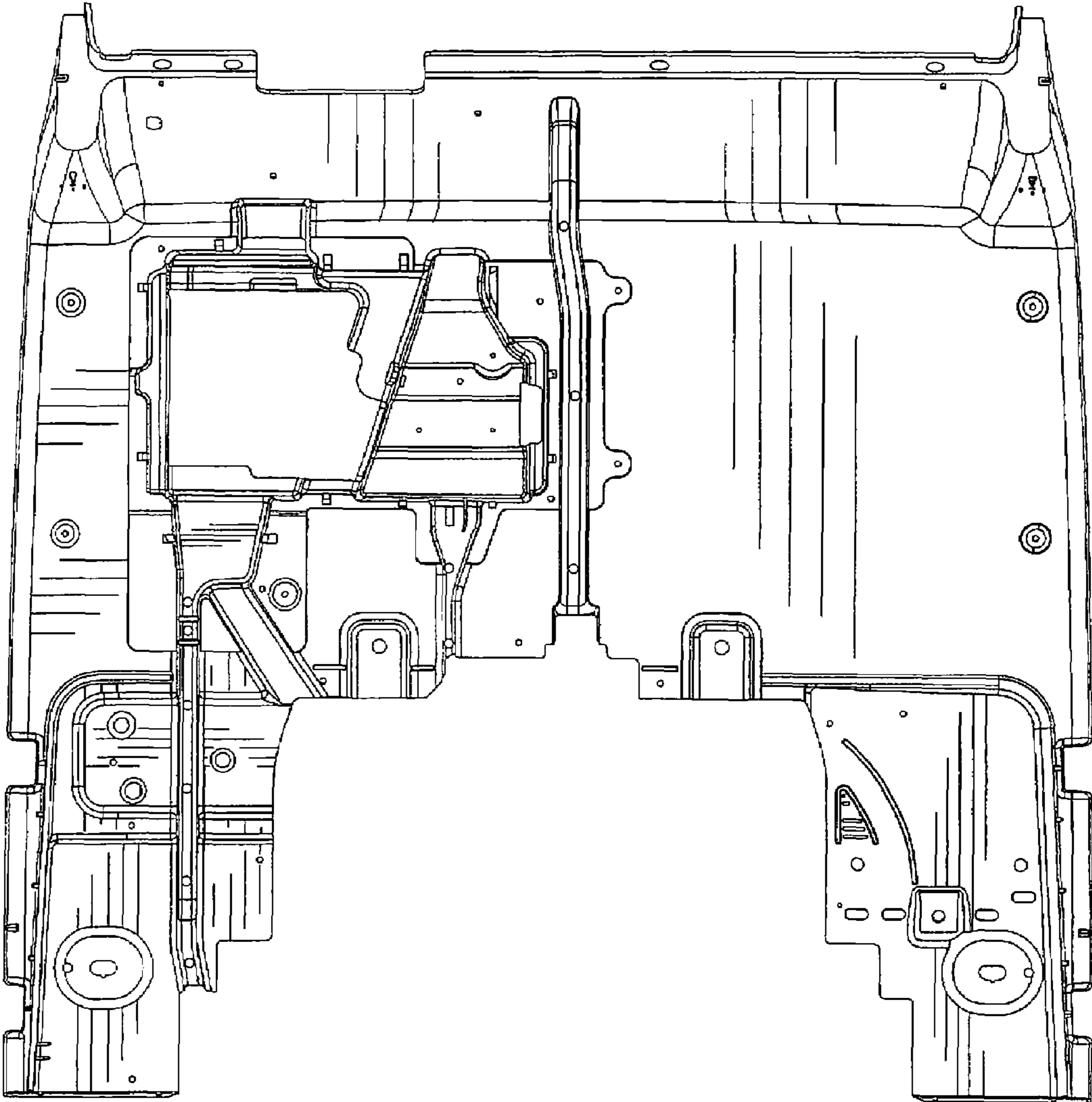


Fig-4