



US00D589837S

(12) **United States Design Patent**  
**Genender**

(10) **Patent No.:** **US D589,837 S**

(45) **Date of Patent:** **\*\* Apr. 7, 2009**

(54) **WRIST WATCH CASING**

(76) Inventor: **Kenneth Genender**, 44 Century Dr.,  
Wheeling, IL (US) 60090

(\*\*) Term: **14 Years**

(21) Appl. No.: **29/285,107**

(22) Filed: **Mar. 21, 2007**

(51) **LOC (9) Cl.** ..... **10-07**

(52) **U.S. Cl.** ..... **D10/128**

(58) **Field of Classification Search** ..... D10/30-39,  
D10/128, 132; 368/276, 281, 282, 309, 286,  
368/287

See application file for complete search history.

(56) **References Cited**

**U.S. PATENT DOCUMENTS**

D267,705	S	*	1/1983	Kosugi	.....	D10/39
D269,501	S	*	6/1983	Sato	.....	D10/31
D289,018	S	*	3/1987	Williams	.....	D10/31
5,319,615	A	*	6/1994	Ng	.....	368/276
5,333,123	A	*	7/1994	Plancon et al.	.....	368/276
D381,588	S	*	7/1997	Weston	.....	D10/32
D407,029	S	*	3/1999	Drucker	.....	D10/39
D409,501	S	*	5/1999	Riley	.....	D10/30
D415,040	S	*	10/1999	Sang	.....	D10/30
D415,693	S	*	10/1999	Kennedy	.....	D10/30
D423,373	S	*	4/2000	Wunderman	.....	D10/32
D432,436	S	*	10/2000	Baumann	.....	D10/32
D447,428	S	*	9/2001	Modolo	.....	D10/32
D460,002	S	*	7/2002	Wunderman	.....	D10/32
D470,776	S	*	2/2003	Blondin	.....	D10/30

D473,473	S	*	4/2003	Wunderman	.....	D10/32
D473,797	S	*	4/2003	Berliat	.....	D10/30
D474,699	S	*	5/2003	Hysek	.....	D10/30
D476,581	S	*	7/2003	Calvani et al.	.....	D10/30
D489,272	S	*	5/2004	Messmer	.....	D10/38
D490,000	S	*	5/2004	Lassigne	.....	D10/32
D504,828	S	*	5/2005	Moriai	.....	D10/30
D515,947	S	*	2/2006	Jorst et al.	.....	D10/39
D518,389	S	*	4/2006	Jorst et al.	.....	D10/38
D531,524	S	*	11/2006	Behling	.....	D10/38
D538,181	S	*	3/2007	Sugiura	.....	D10/31
D549,600	S	*	8/2007	Rousseau	.....	D10/38
D551,991	S	*	10/2007	Ohki	.....	D10/32
D563,244	S	*	3/2008	Wei	.....	D10/38

\* cited by examiner

*Primary Examiner*—Lucy Lieberman

(57) **CLAIM**

The ornamental design for a wrist watch casing, as shown and described.

**DESCRIPTION**

FIG. 1 is a bottom, front, perspective view of a wrist watch casing showing my new design;

FIG. 2 is a bottom view thereof;

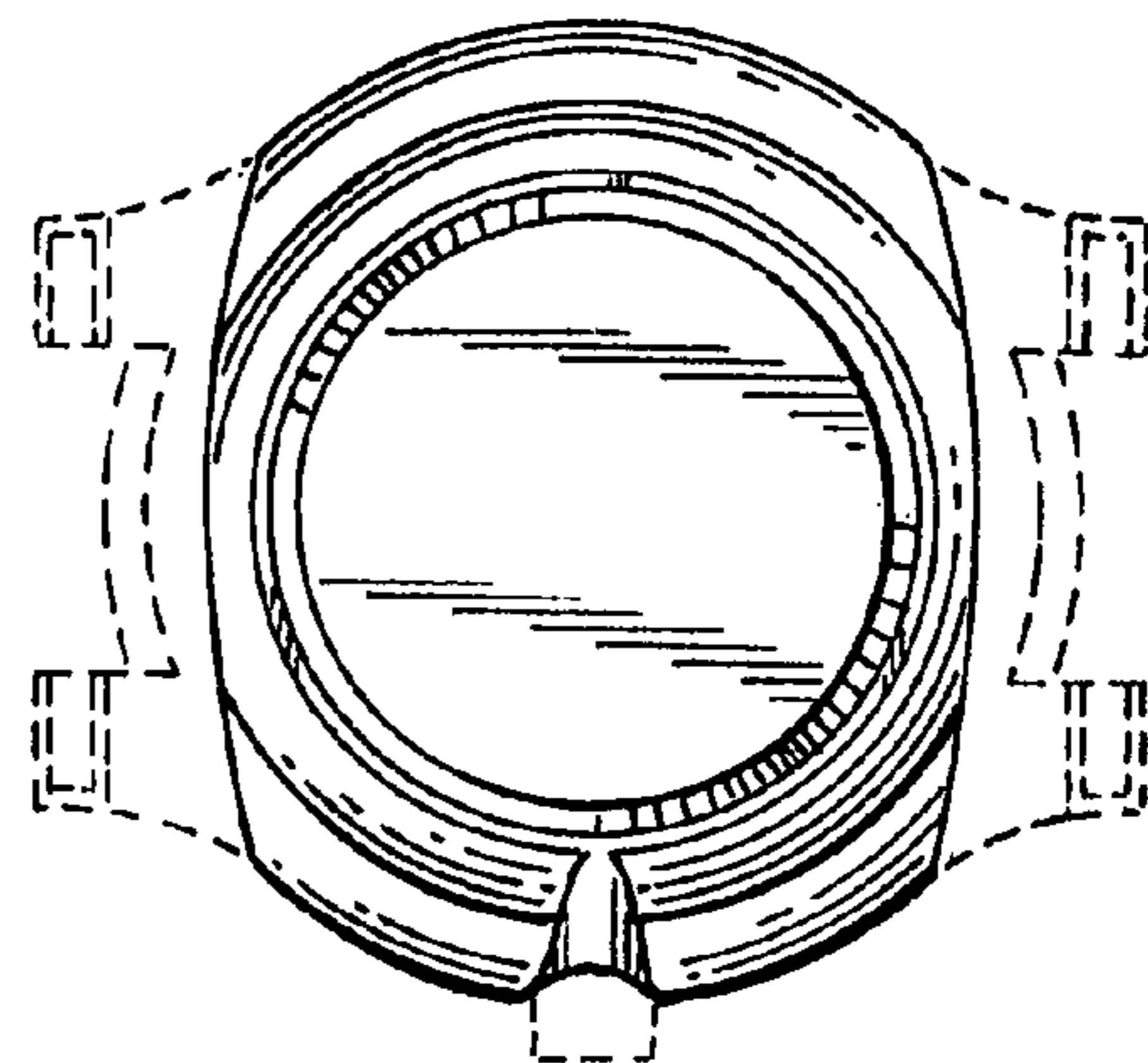
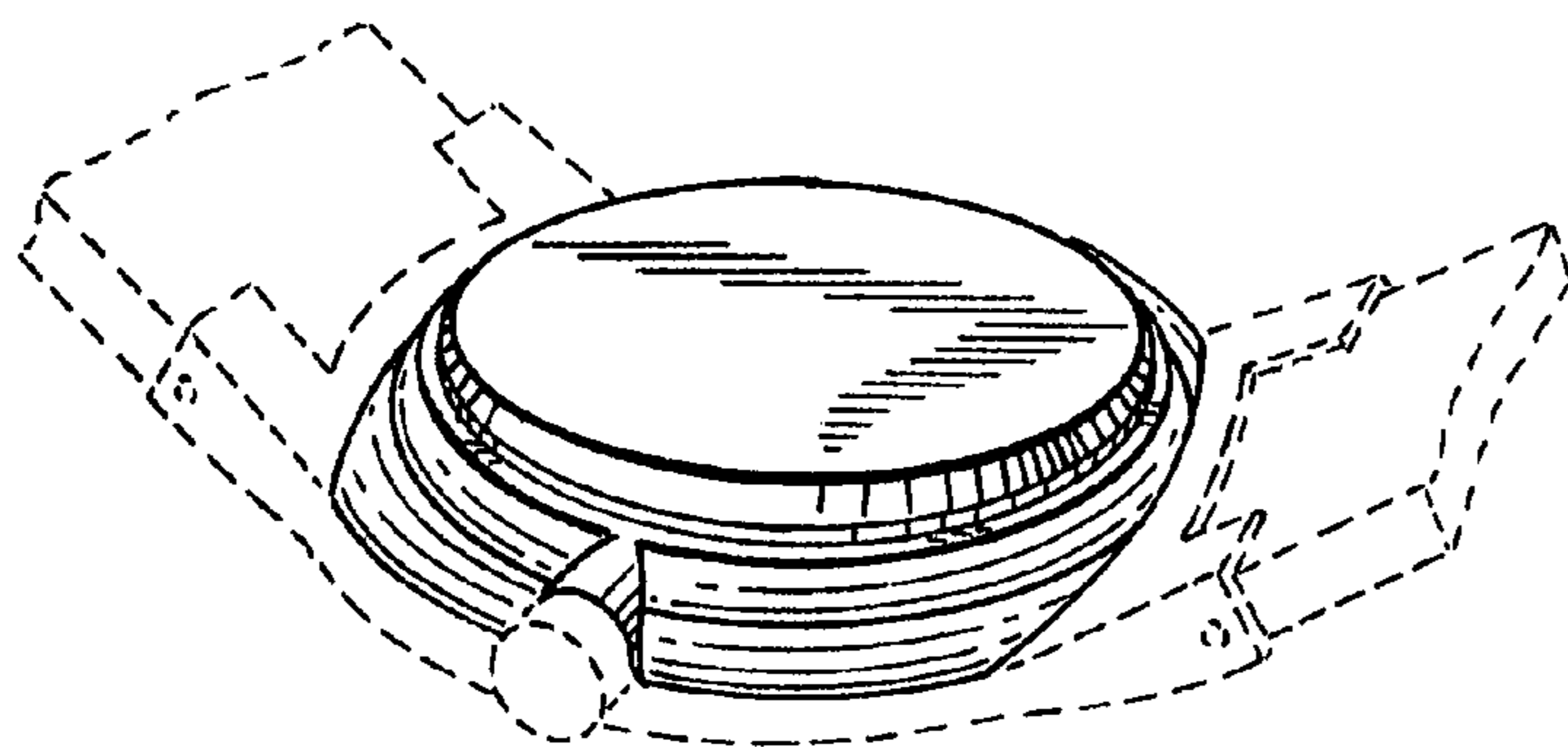
FIG. 3 is a front view thereof;

FIG. 4 is a side view thereof; and,

FIG. 5 is a rear side view thereof.

The broken lines indicate environmental material and form no part of the design.

**1 Claim, 1 Drawing Sheet**



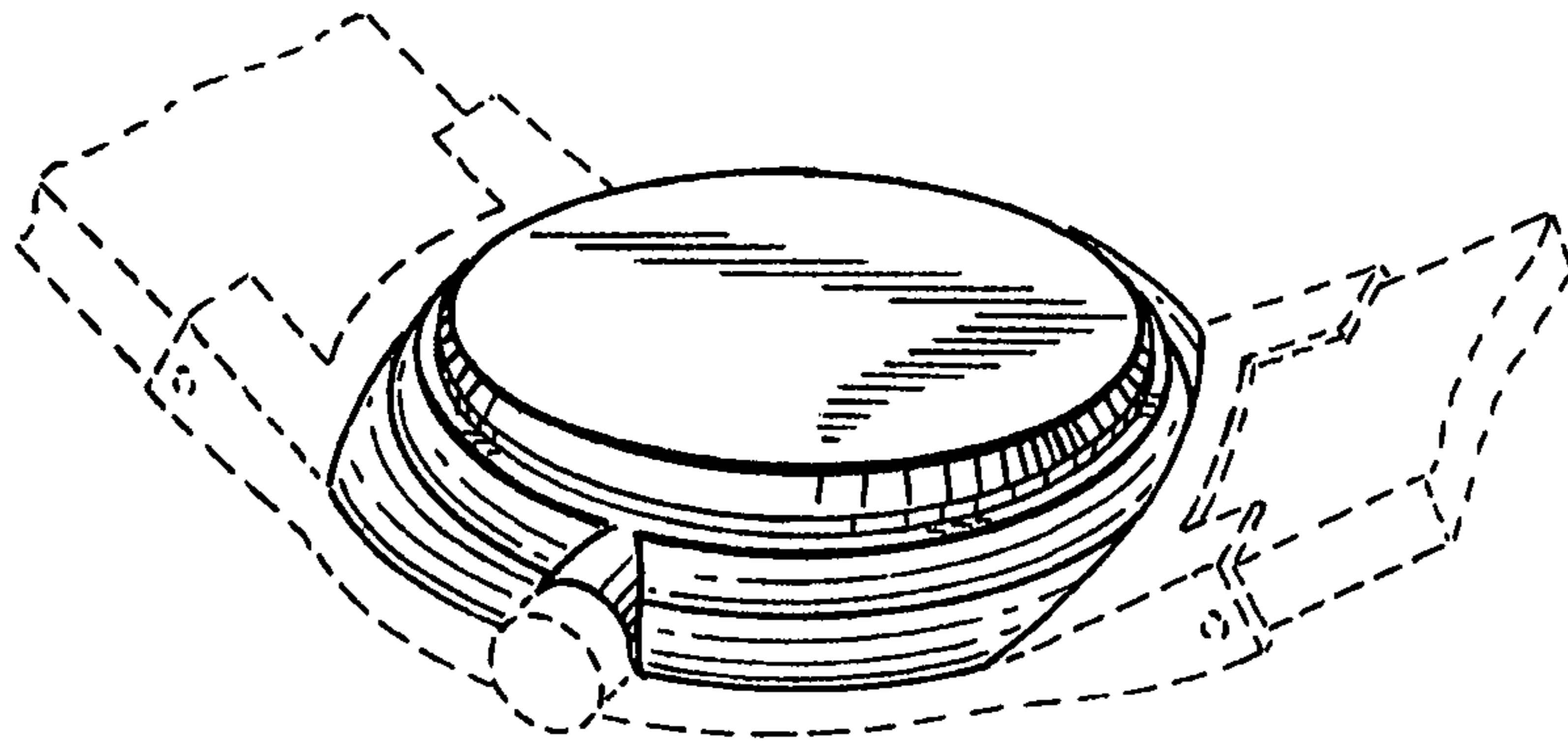


FIG. 1

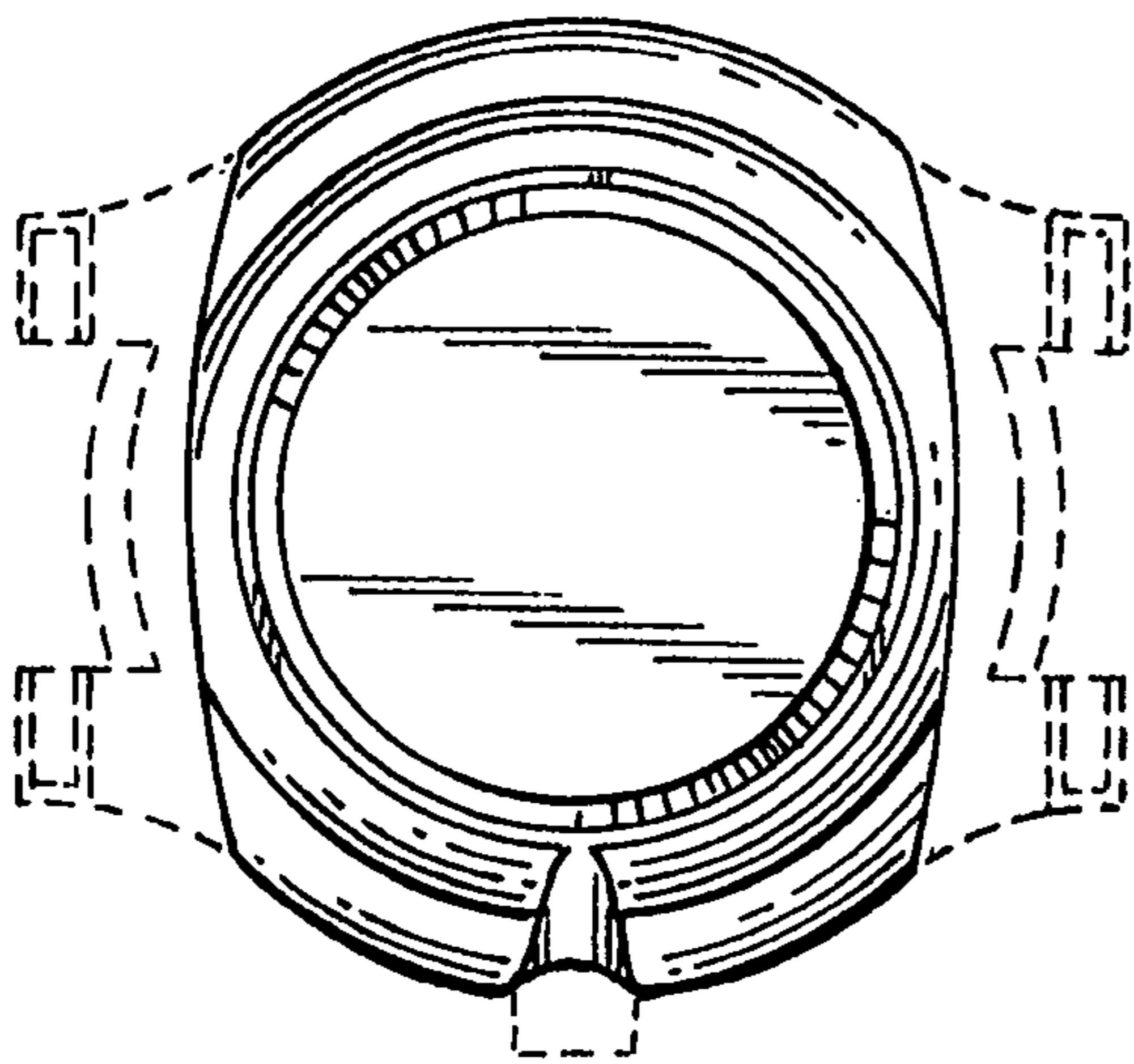


FIG. 2

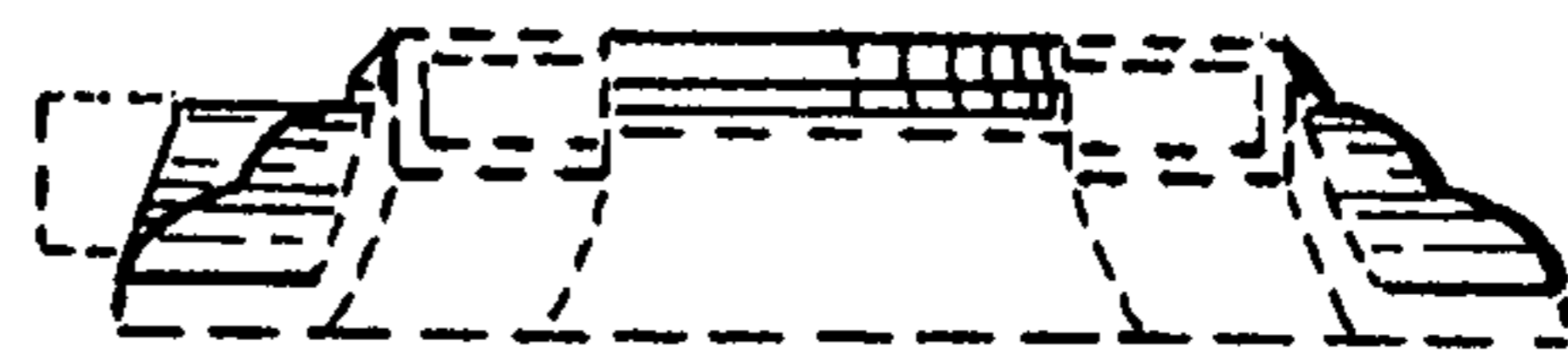


FIG. 4



FIG. 3

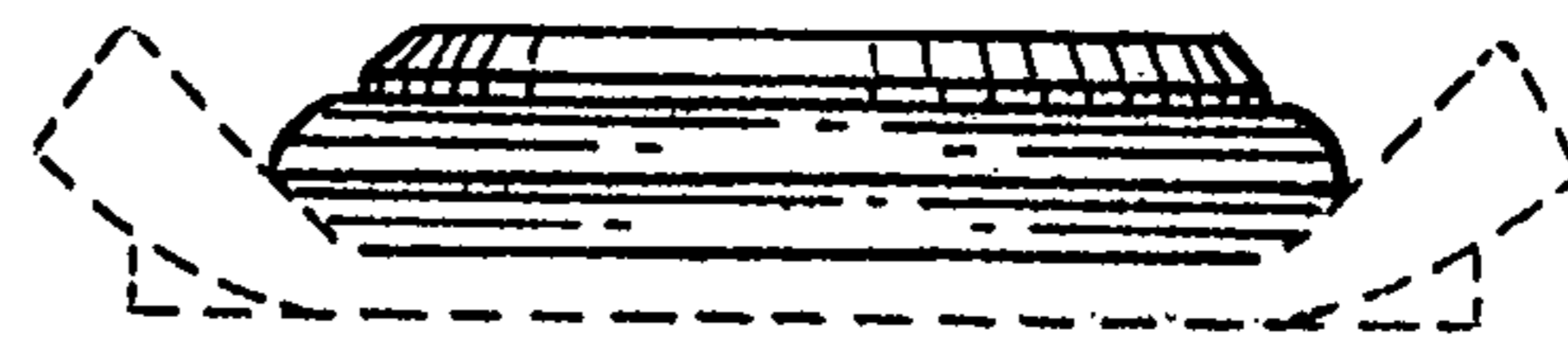


FIG. 5