



US00D589834S

(12) **United States Design Patent**
Lyons et al.

(10) **Patent No.:** **US D589,834 S**

(45) **Date of Patent:** **** Apr. 7, 2009**

(54) **WARNING LIGHT**

(75) Inventors: **Jon H. Lyons**, Haddam, CT (US);
William J. Pokorny, Haddam, CT (US)

(73) Assignee: **Whelen Engineering Company, Inc.**,
Chester, CT (US)

(**) Term: **14 Years**

(21) Appl. No.: **29/310,582**

(22) Filed: **Aug. 27, 2008**

Related U.S. Application Data

(62) Division of application No. 29/307,284, filed on Apr. 10, 2008, now Pat. No. Des. 579,370.

(51) **LOC (9) Cl.** **10-05**

(52) **U.S. Cl.** **D10/114**

(58) **Field of Classification Search** D10/109,
D10/111, 114; D26/29-31, 60; 340/815.45,
340/908.1, 463; 362/311, 373, 35, 183, 200,
362/196, 191, 459, 460-463, 465
See application file for complete search history.

(56) **References Cited**

U.S. PATENT DOCUMENTS

D310,423 S *	9/1990	Iacovelli	D26/35
D346,233 S *	4/1994	Tsai	D26/29
D347,078 S *	5/1994	Lyons et al.	D26/35
D374,835 S *	10/1996	Wachter	D10/114
D399,325 S *	10/1998	Lyons et al.	D26/28
D516,930 S *	3/2006	Dicke et al.	D10/114
D524,673 S *	7/2006	Dicke et al.	D10/114

D569,015 S * 5/2008 Tsukui et al. D26/28
2006/0256565 A1* 11/2006 Pugliese 362/362

* cited by examiner

Primary Examiner—Joel Sincavage

Assistant Examiner—George D Kirschbaum

(74) *Attorney, Agent, or Firm*—Alix, Yale & Ristas, LLP

(57) **CLAIM**

The ornamental design for the warning light, as shown and described.

DESCRIPTION

FIG. 1 is a front perspective view, partially illustrated in broken lines, of a second embodiment of a warning light showing our new design;

FIG. 2 is a rear perspective view, partially illustrated in broken lines, of the warning light of FIG. 1;

FIG. 3 is a front view of the warning light of FIG. 1;

FIG. 4 is a rear view of the warning light of FIG. 1;

FIG. 5 is a right side view, partially illustrated in broken lines, of the warning light of FIG. 1;

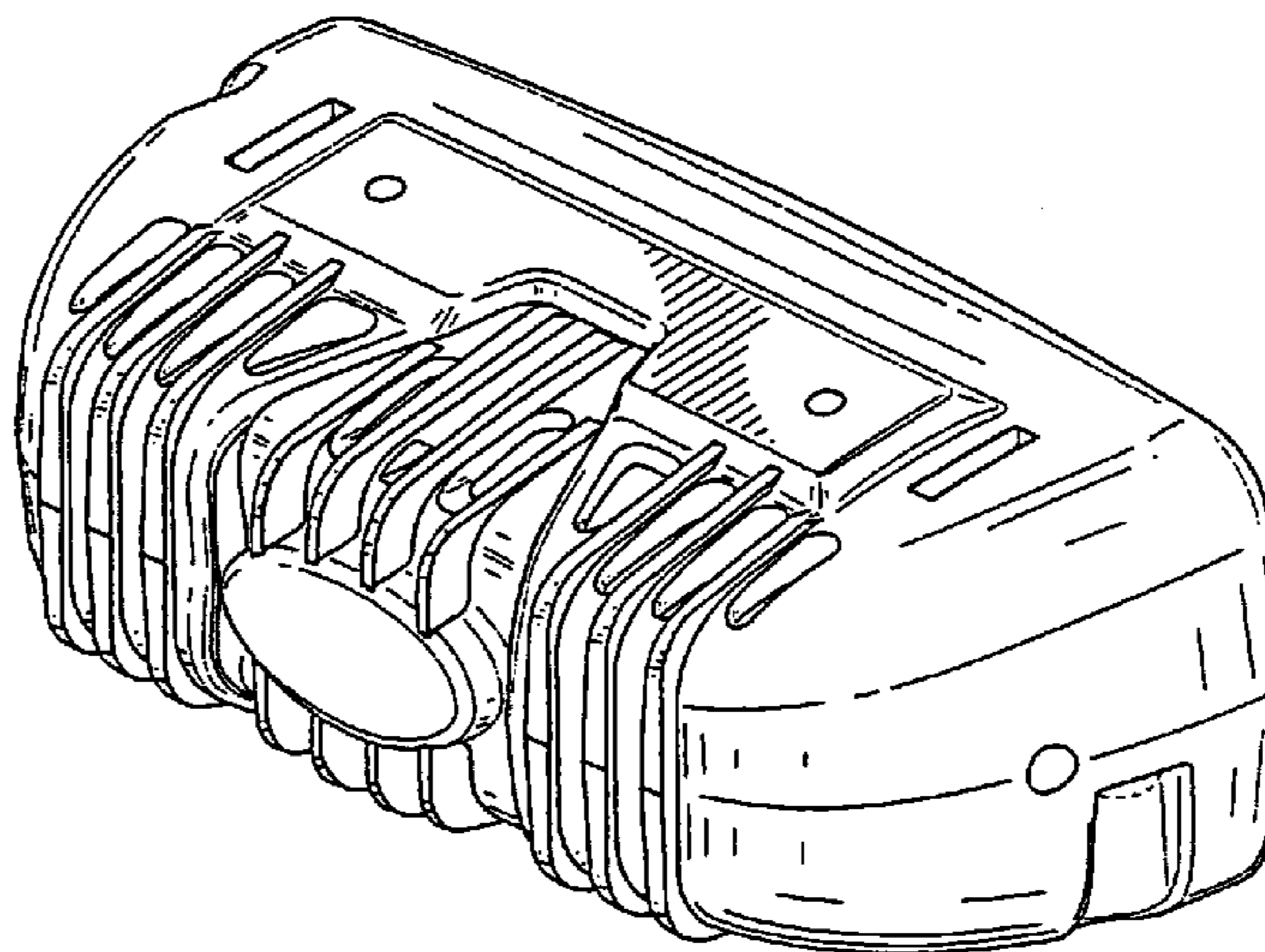
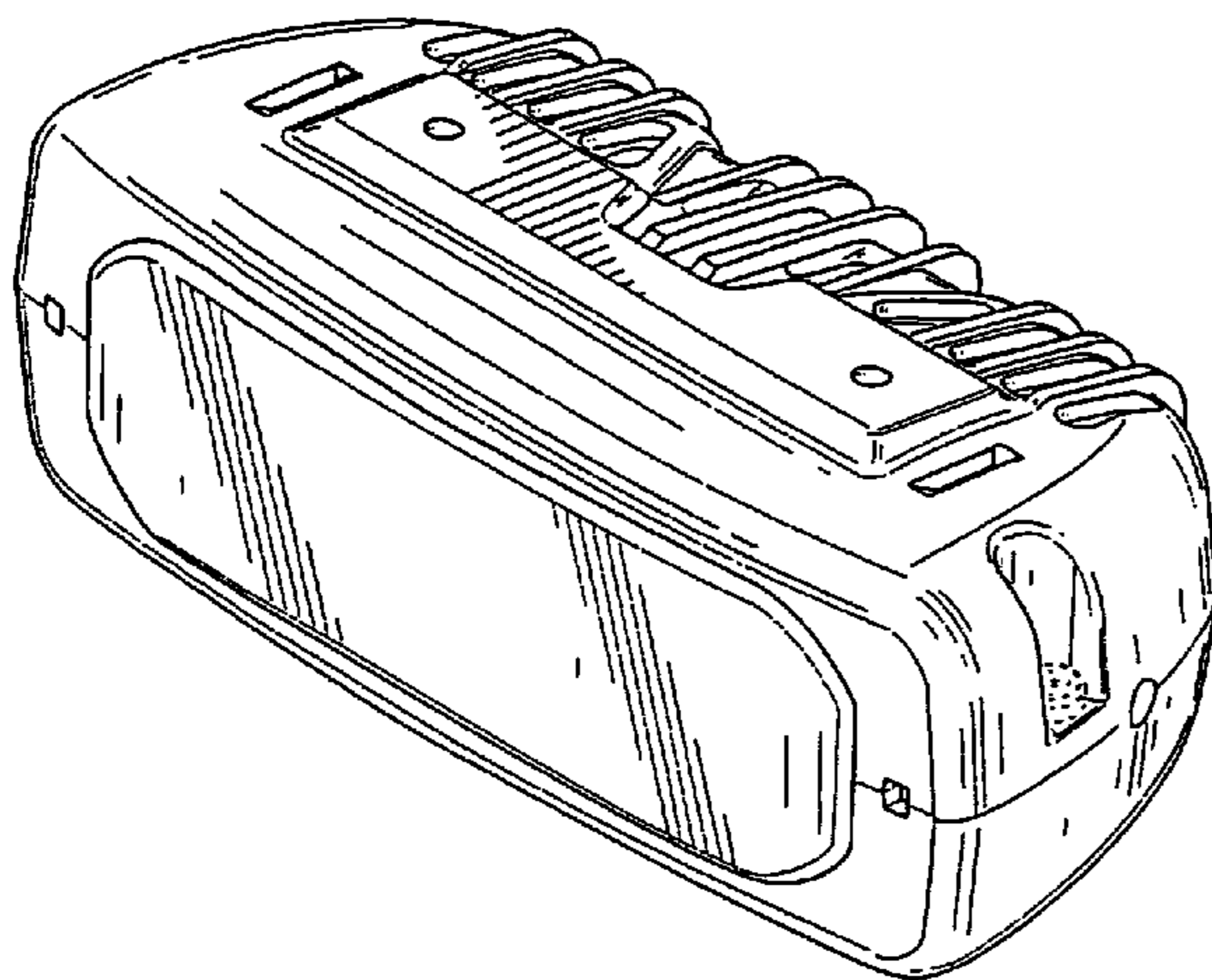
FIG. 6 is a left side view, partially illustrated in broken lines, of the warning light of FIG. 1;

FIG. 7 is a bottom plan view, partially illustrated in broken lines, of the warning light of FIG. 1; and,

FIG. 8 is a top plan view, partially illustrated in broken lines, of the warning light of FIG. 1;

No claim is made to the portions shown in broken lines.

1 Claim, 4 Drawing Sheets



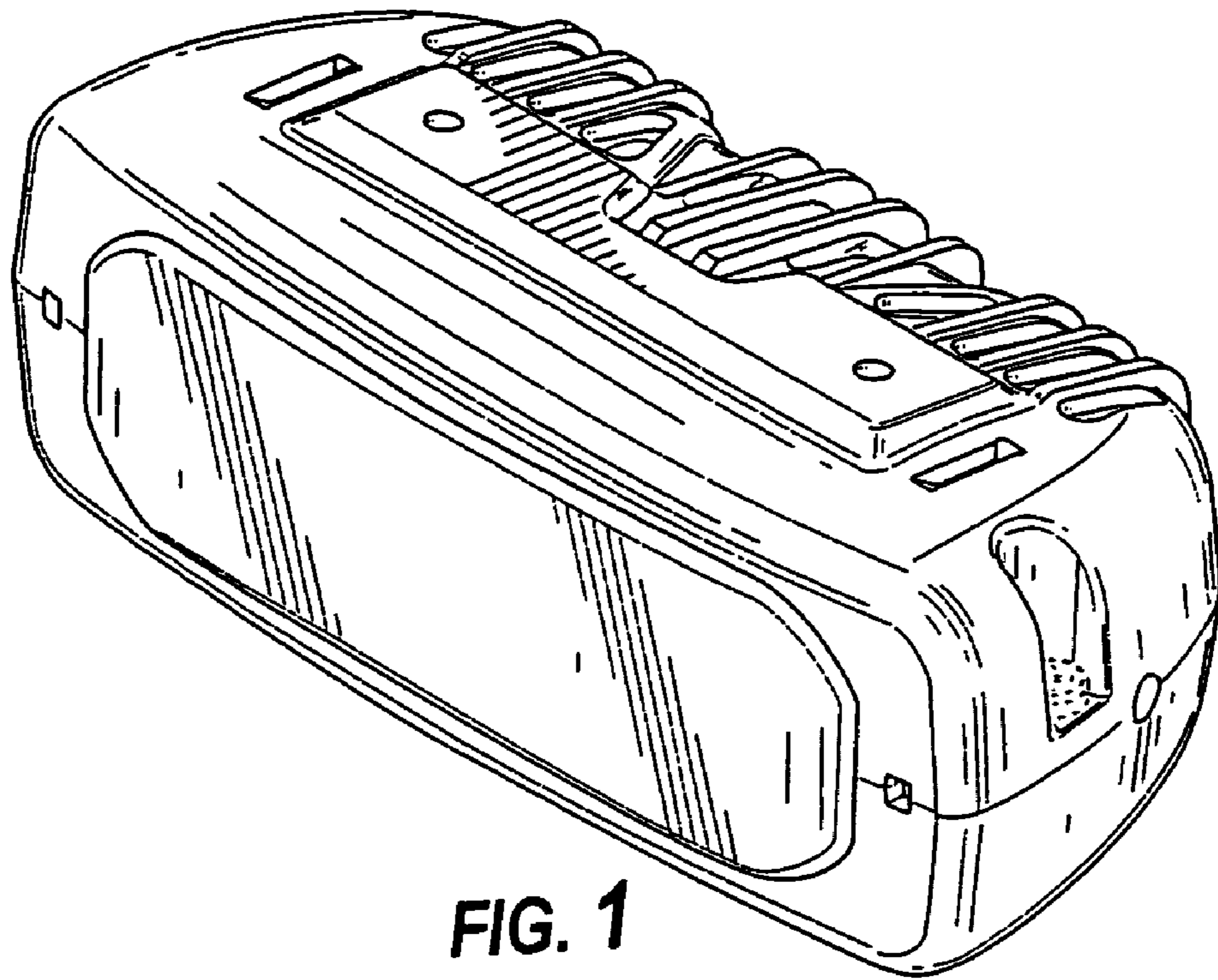


FIG. 1

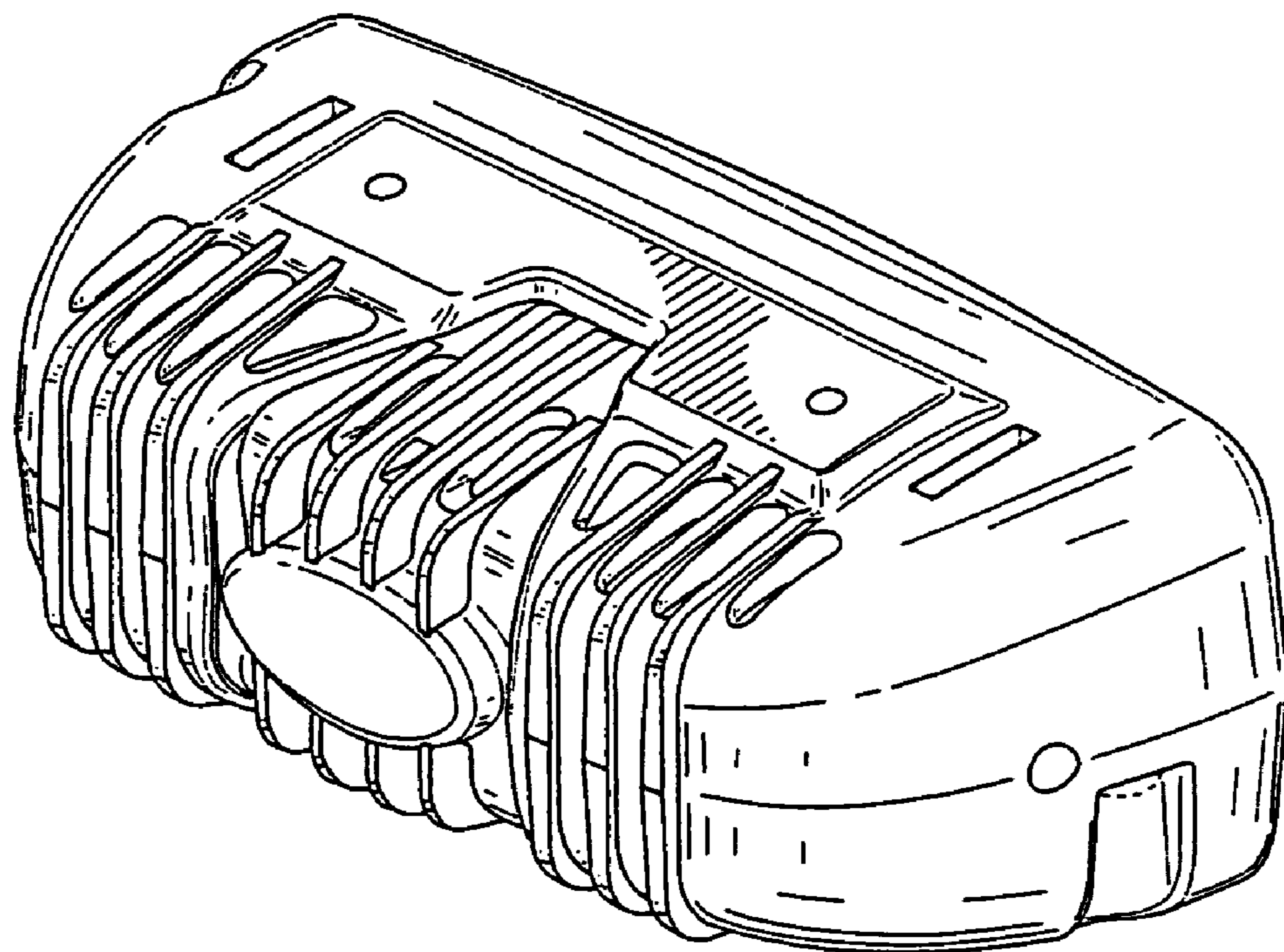


FIG. 2

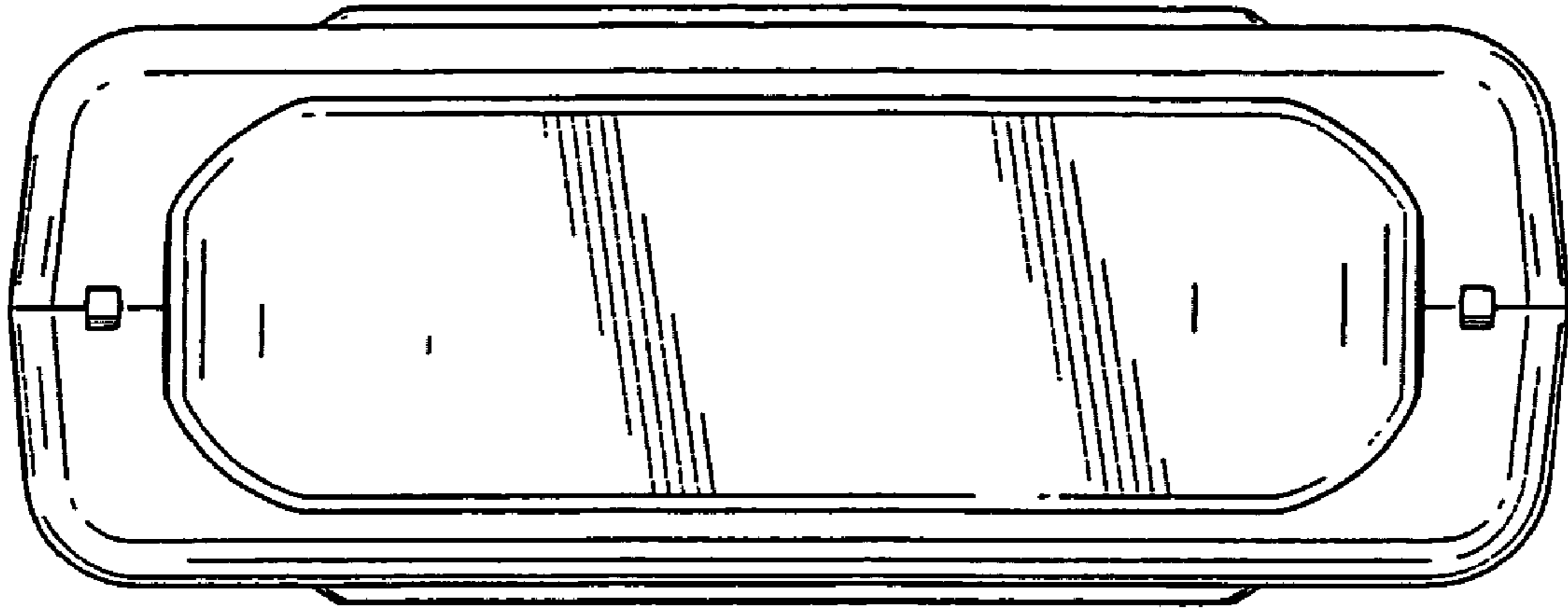


FIG. 3

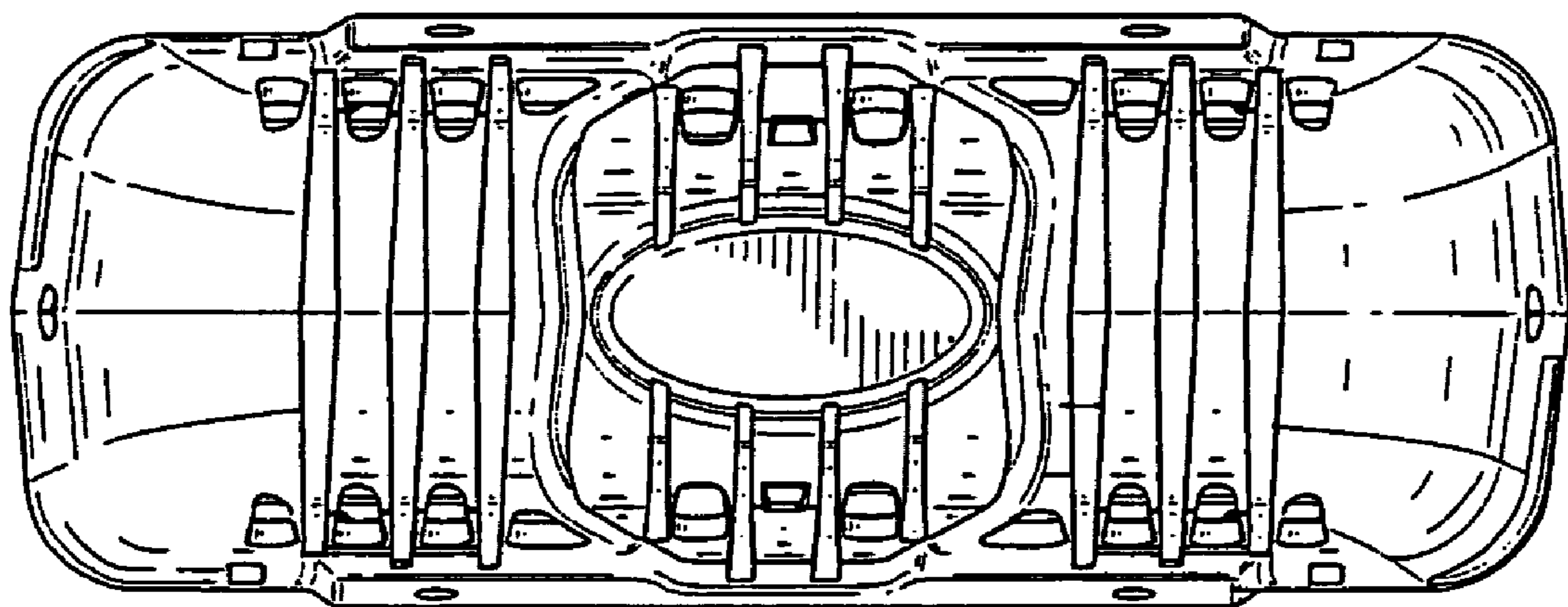


FIG. 4

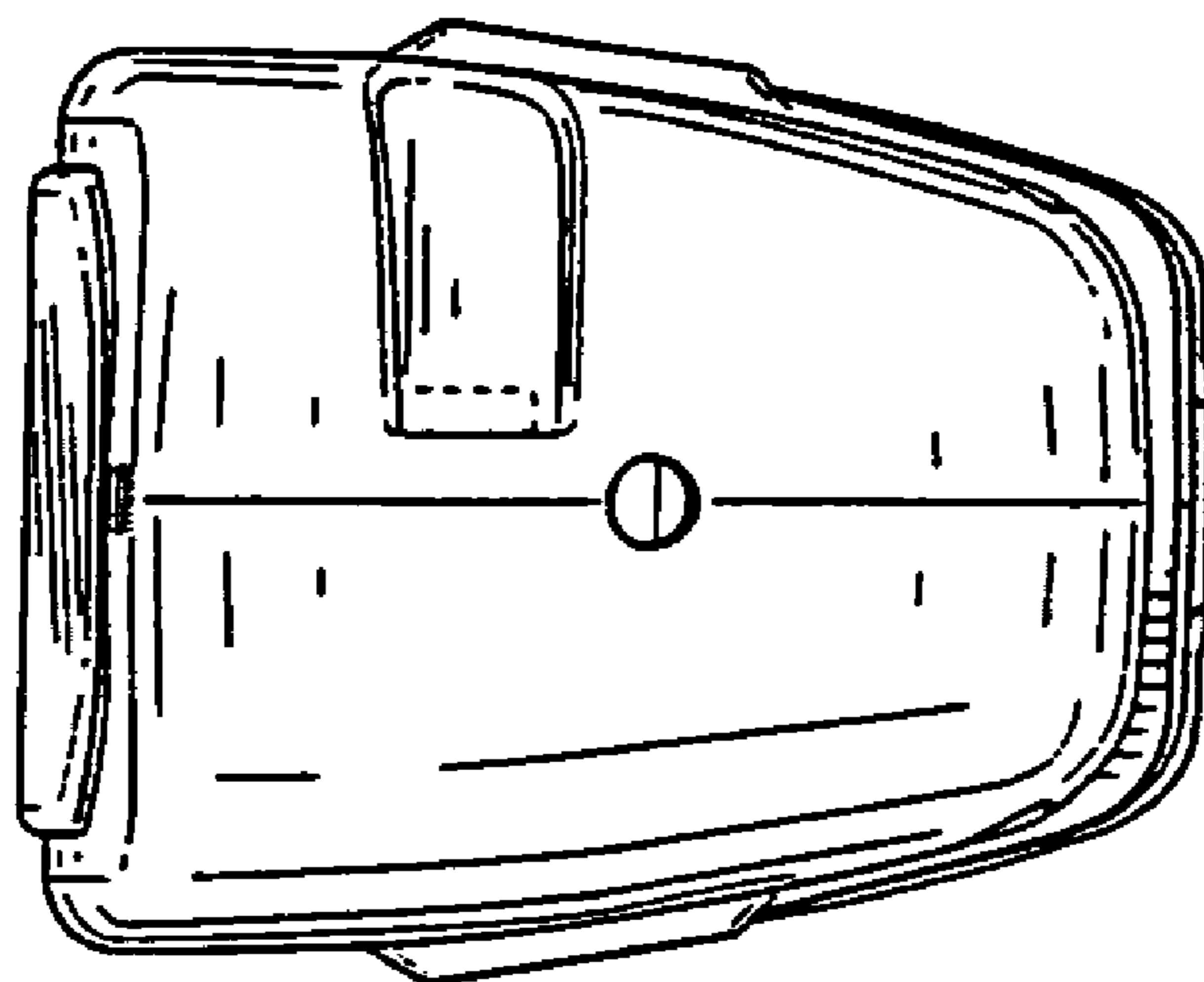


FIG. 5

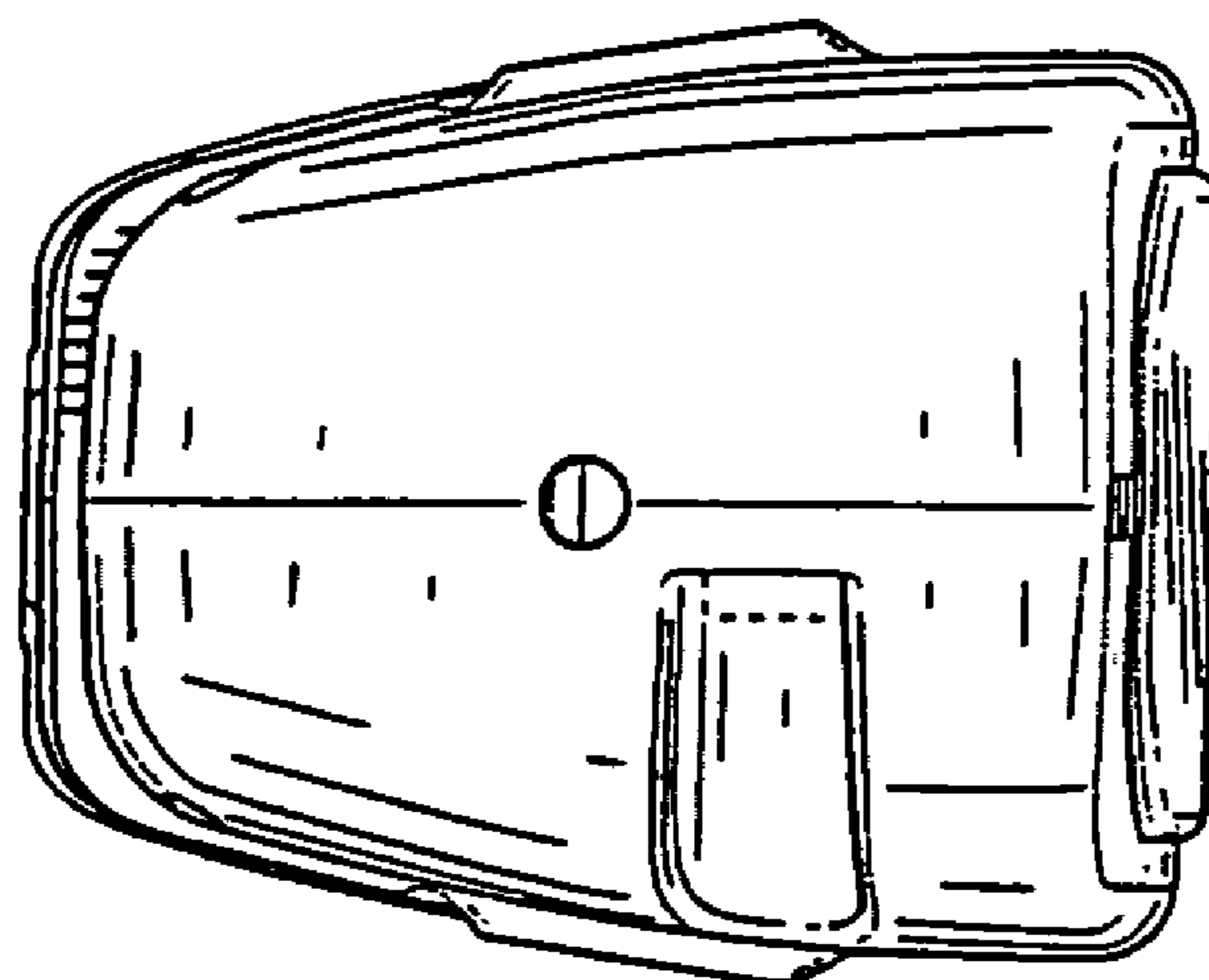


FIG. 6

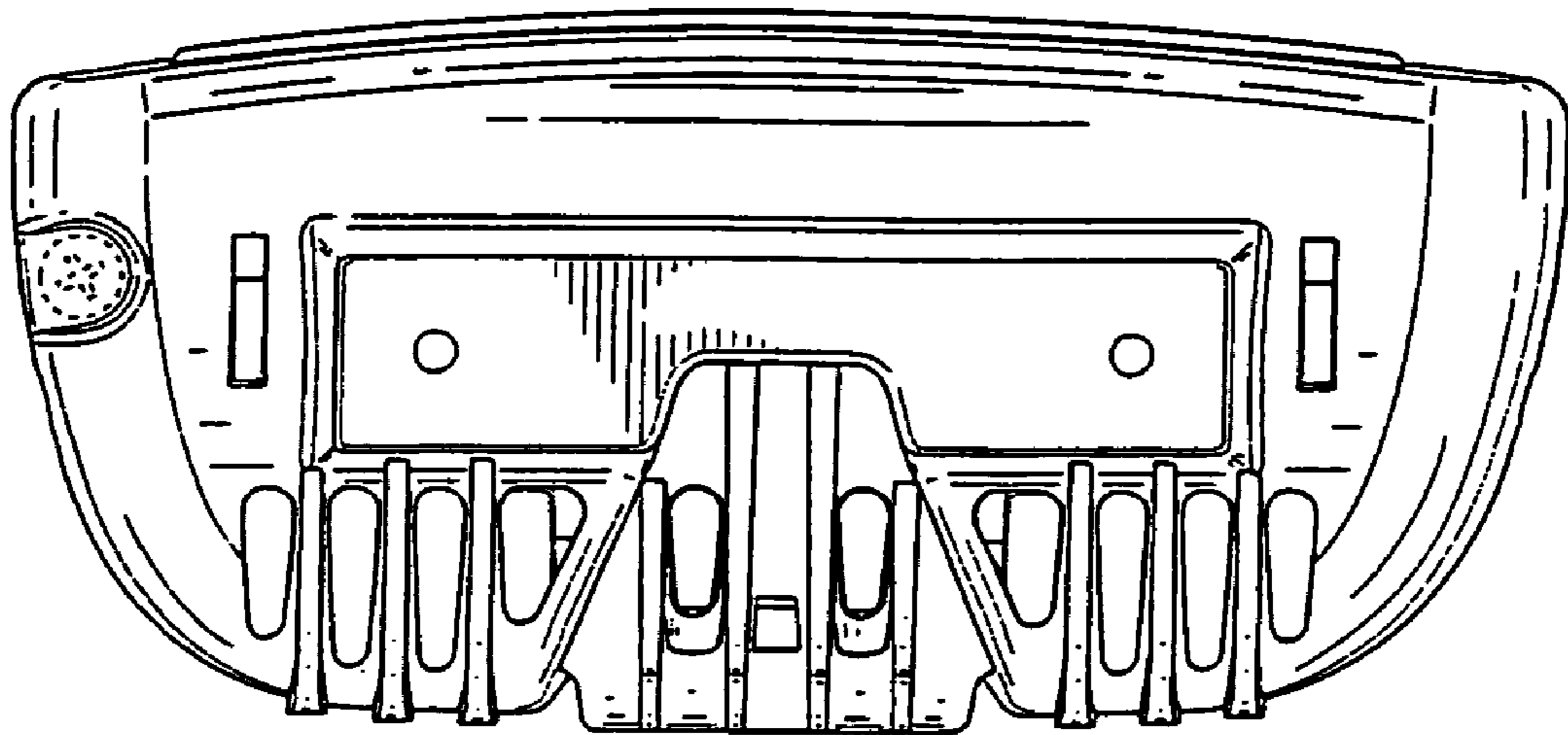


FIG. 7

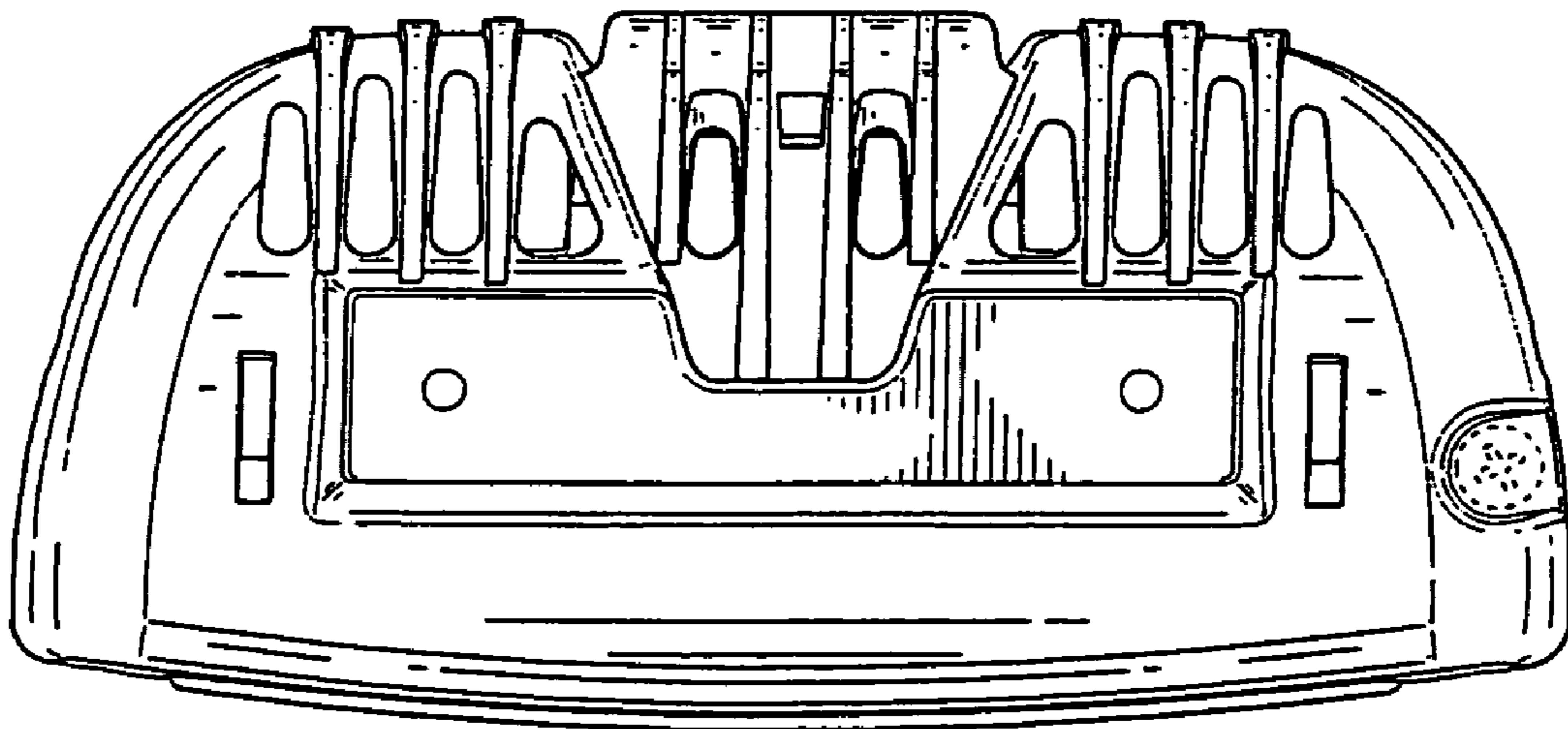


FIG. 8