



US00D589828S

(12) **United States Design Patent**
Dokai et al.

(10) **Patent No.:** **US D589,828 S**
(45) **Date of Patent:** **** Apr. 7, 2009**

(54) **IC TAG INLET**

(75) Inventors: **Yuya Dokai**, Nagaokakyo (JP); **Mikiko Kimura**, Kusatsu (JP)

(73) Assignee: **Murata Manufacturing Co., Ltd.** (JP)

(**) Term: **14 Years**

(21) Appl. No.: **29/282,221**

(22) Filed: **Jul. 13, 2007**

(30) **Foreign Application Priority Data**

Jan. 15, 2007 (JP) 2007-000479

(51) **LOC (9) Cl.** **10-05**

(52) **U.S. Cl.** **D10/106**

(58) **Field of Classification Search** D10/104,
D10/106; 340/572.1, 571.2, 571.8, 571.9;
70/18, 202, 209, 58; D8/331, 333, 334; 343/700 MS
See application file for complete search history.

(56) **References Cited**

U.S. PATENT DOCUMENTS

- 5,979,027 A * 11/1999 Oh et al. 24/704.1
- 2005/0139630 A1 * 6/2005 Tamura et al. 227/67
- 2005/0140512 A1 * 6/2005 Sakama et al. 340/572.7
- 2006/0208899 A1 * 9/2006 Suzuki et al. 340/572.7
- 2006/0244604 A1 * 11/2006 Sakama et al. 340/572.7

- 2007/0052610 A1 * 3/2007 Lee 343/795
- 2007/0241900 A1 * 10/2007 Sasazaki 340/572.1
- 2008/0000986 A1 * 1/2008 Onishi et al. 235/492
- 2008/0042851 A1 * 2/2008 Baba et al. 340/572.8
- 2008/0150725 A1 * 6/2008 Takahashi 340/572.7
- 2008/0164326 A1 * 7/2008 Iwakata et al. 235/492
- 2008/0202678 A1 * 8/2008 Kobayashi et al. 156/281
- 2008/0238784 A1 * 10/2008 Ohashi et al. 343/700 MS
- 2008/0291106 A1 * 11/2008 Kai et al. 343/797

* cited by examiner

Primary Examiner—Caron Veynar

Assistant Examiner—George D Kirschbaum

(74) *Attorney, Agent, or Firm*—Dickstein, Shapiro, LLP.

(57) **CLAIM**

The ornamental design for an IC tag inlet, as shown.

DESCRIPTION

FIG. 1 is a front view of an IC tag inlet showing our new design:

FIG. 2 is a top plan view thereof;

FIG. 3 is a bottom plan view thereof; and,

FIG. 4 is a left side view, the right side being a mirror image thereof.

The broken lines depict unclaimed environmental subject matter.

1 Claim, 1 Drawing Sheet

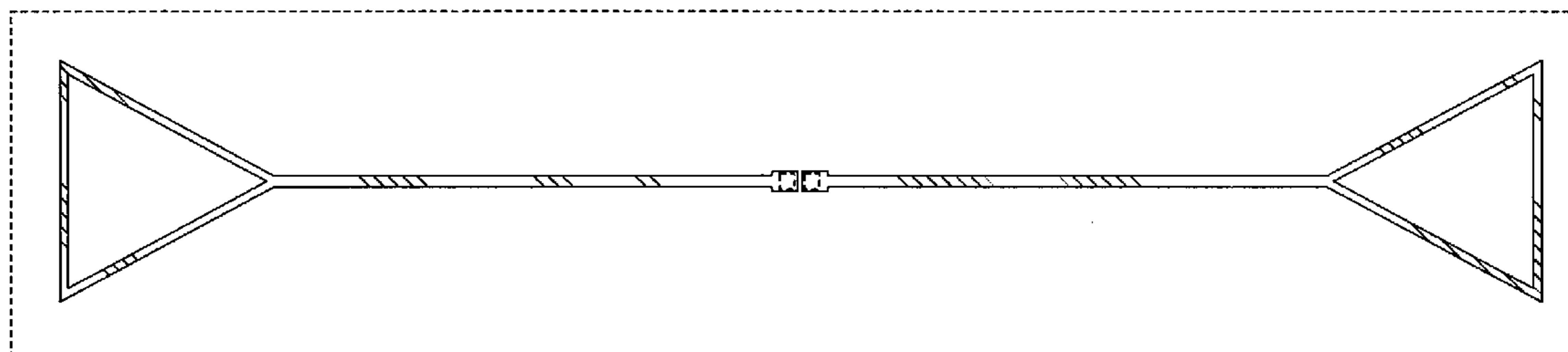


FIG. 1



FIG. 2

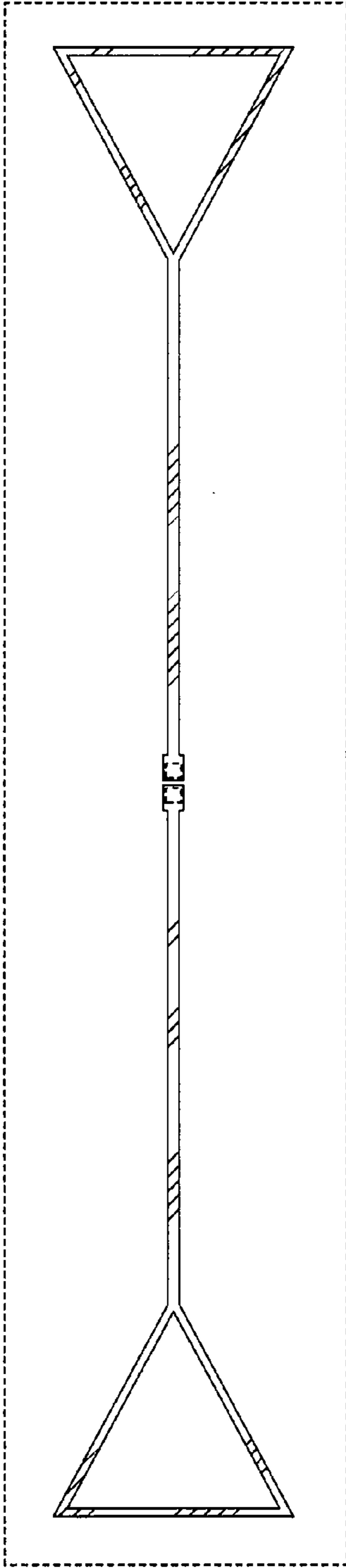


FIG. 3

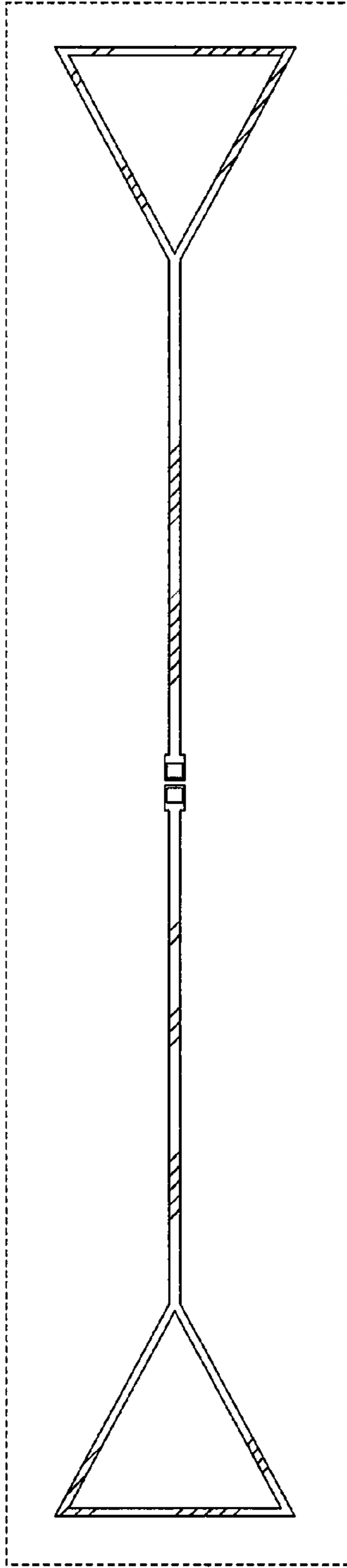


FIG. 4

