



US00D589820S

(12) **United States Design Patent**
Paal et al.

(10) **Patent No.:** **US D589,820 S**

(45) **Date of Patent:** **** Apr. 7, 2009**

(54) **SHEET PRODUCT DISPENSER**

(75) Inventors: **Alan P. Paal**, New Franken, WI (US);
James B. Christensen, Green Bay, WI (US)

(73) Assignee: **Georgia-Pacific Consumer Products LP**, Atlanta, GA (US)

(**) Term: **14 Years**

(21) Appl. No.: **29/282,194**

(22) Filed: **Jul. 13, 2007**

(51) **LOC (9) Cl.** **09-01**

(52) **U.S. Cl.** **D9/734**

(58) **Field of Classification Search** D9/414-418,
D9/430, 500, 501, 503, 504, 516, 549, 558-561,
D9/574, 730, 733, 734, 763, 782; D6/512,
D6/515, 518, 519, 522, 523; D34/1, 7; D12/194;
220/23.87, 694; 206/204, 205, 233, 494,
206/497, 570, 812, 823; 221/26, 33, 34,
221/45-52, 59, 61-63, 192, 282; 222/173;
215/379, 380, 382-385, 400

See application file for complete search history.

(56) **References Cited**

U.S. PATENT DOCUMENTS

D224,644 S	8/1972	Mascia et al.	D9/216
3,843,017 A	10/1974	Harrison		
D284,941 S	8/1986	Porteous	D9/378
D293,058 S	12/1987	Iwarsson		
D316,789 S	5/1991	McLaughlin		
D326,203 S	5/1992	Butler		
D327,798 S	7/1992	Addison et al.		
D327,799 S	7/1992	Addison et al.		
D328,011 S	7/1992	Rickabaugh	D7/629
D370,153 S	5/1996	Chaney et al.	D7/511
D370,850 S	6/1996	Beaver	D9/543
D372,615 S	8/1996	Owens		
D377,902 S	2/1997	Marucci	D9/534
5,803,249 A	9/1998	Harsanyi, Jr. et al.		
D462,012 S	8/2002	Manderfield, Jr.	D9/530
D462,270 S	9/2002	Renz	D9/537

D464,879 S	10/2002	Meeker et al.	D9/424
D465,153 S	11/2002	Meeker et al.	D9/424
D467,106 S	* 12/2002	Bohay	D6/523
D473,142 S	4/2003	Beaver	D9/530
D476,898 S	7/2003	Schuller et al.	D9/529
D478,753 S	8/2003	Hall et al.	D6/523
6,607,514 B2	8/2003	Reese		
D480,312 S	10/2003	Mungur et al.	D9/506

(Continued)

OTHER PUBLICATIONS

Trademark Serial No. 77195162. Filed Jun. 1, 2007. Sellars Absorbent Materials, Inc. (owner).

Trademark Serial No. 77195179. Filed Jun. 1, 2007. Sellars Absorbent Materials, Inc. (owner).

(Continued)

Primary Examiner—Stella M. Reid

Assistant Examiner—Shanda C. Hill

(74) *Attorney, Agent, or Firm*—Joel T. Charlton

(57)

CLAIM

The ornamental design for a sheet product dispenser, as shown and described.

DESCRIPTION

FIG. 1 is a perspective view of a sheet product dispenser showing our new design;

FIG. 2 is a front view of the sheet product dispenser;

FIG. 3 is a rear view of the sheet product dispenser;

FIG. 4 is a left side view of the sheet product dispenser;

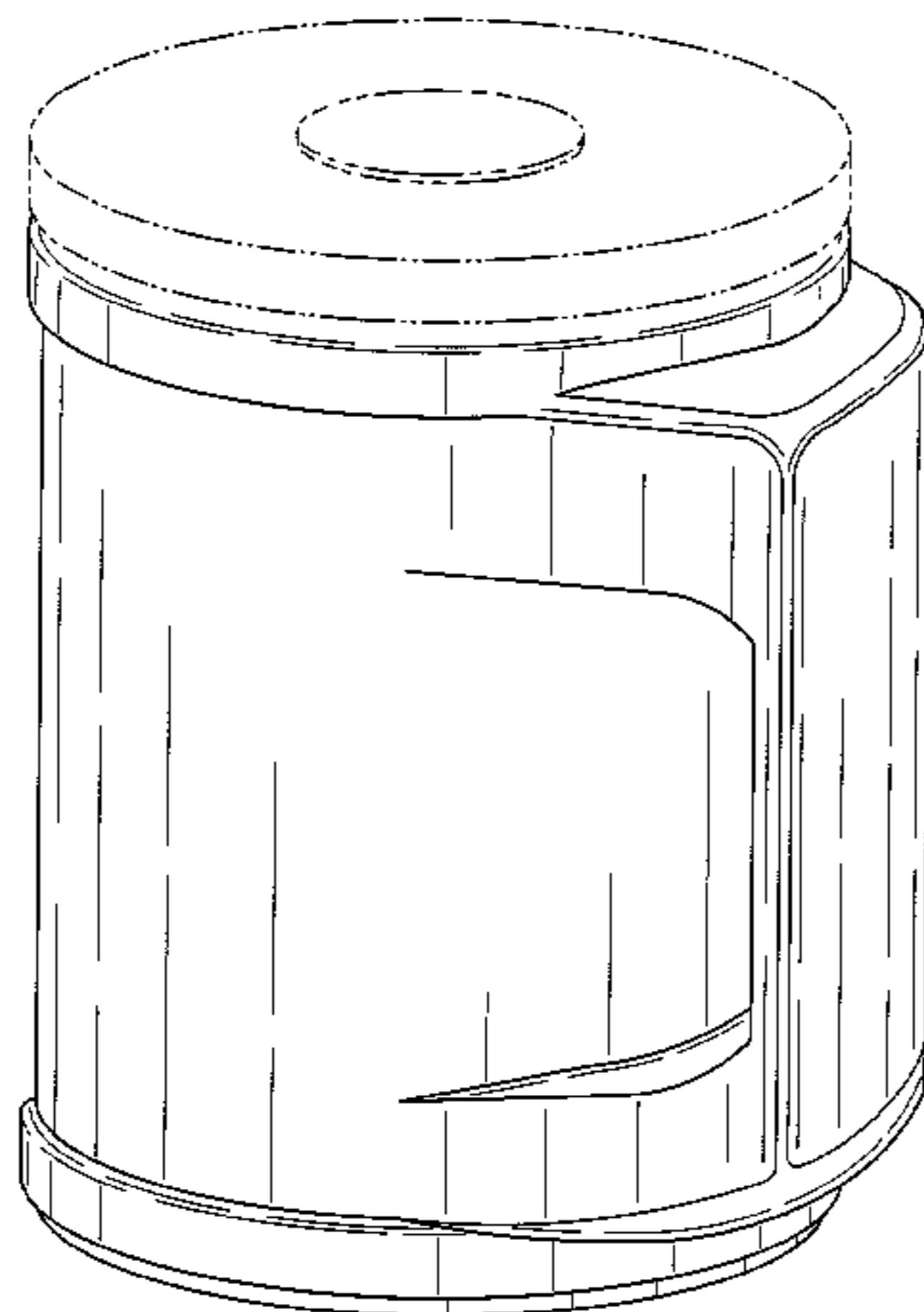
FIG. 5 is a right side view of the sheet product dispenser;

FIG. 6 is a top plan view of the sheet product dispenser; and,

FIG. 7 is a bottom plan view of the sheet product dispenser.

FIGS. 2 through 7 are shown on a reduced scale. The broken lines shown in the drawing disclosure are for illustrative purposes only and form no part of the claimed design.

1 Claim, 4 Drawing Sheets



US D589,820 S

Page 2

U.S. PATENT DOCUMENTS

D482,973 S * 12/2003 Nottingham et al. D9/531
D500,679 S * 1/2005 Walsh et al. D9/522
D504,794 S 5/2005 Sellars
D511,101 S * 11/2005 Nottingham et al. D9/531
D518,735 S 4/2006 Clamage D9/551
D520,371 S 5/2006 Clamage D9/540
D522,780 S 6/2006 Sellars
D528,919 S * 9/2006 Kipperman et al. D9/529
D529,400 S 10/2006 Sellars
D530,224 S 10/2006 Mattesky
7,169,418 B2 * 1/2007 Dalton et al. 426/110
D551,477 S 9/2007 Kikuchi D6/522
2003/0010787 A1 1/2003 Dalton et al. 220/912

2003/0116582 A1 6/2003 Tosdale
2005/0046314 A1 3/2005 Sellars et al.

OTHER PUBLICATIONS

Trademark Serial No. 77203521. Filed Jun. 12, 2007. Sellers Absorbent Materials, Inc. (owner).

Trademark Serial No. 77203523. Filed Jun. 12, 2007. Sellers Absorbent Materials, Inc. (owner).

Trademark Serial No. 78436640. Filed Feb. 28, 2006. Sellers Absorbent Materials, Inc. (owner).

Trademark Serial No. 78977978. Filed Feb. 28, 2006. Sellers Absorbent Materials, Inc. (owner).

* cited by examiner

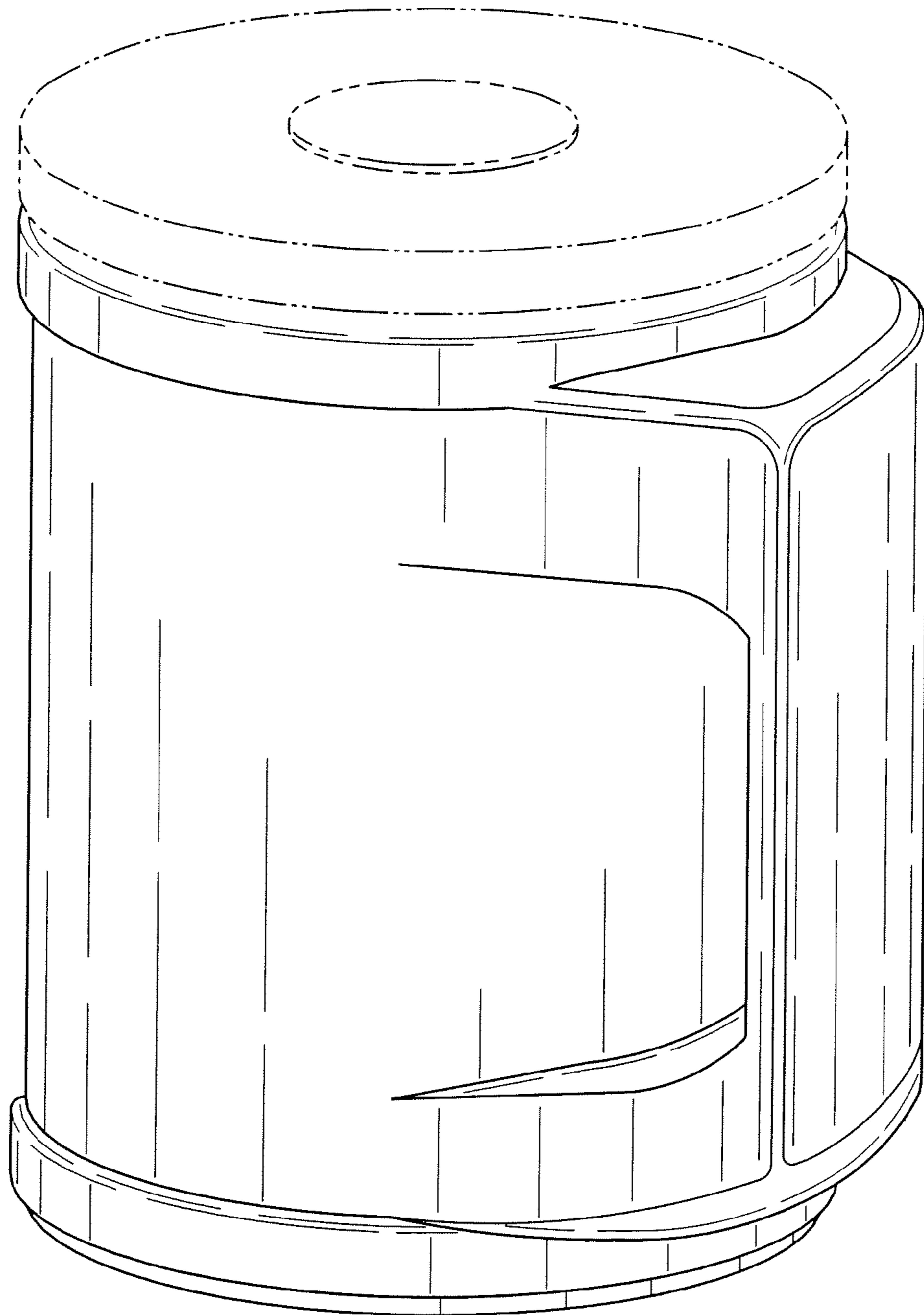


Fig. 1

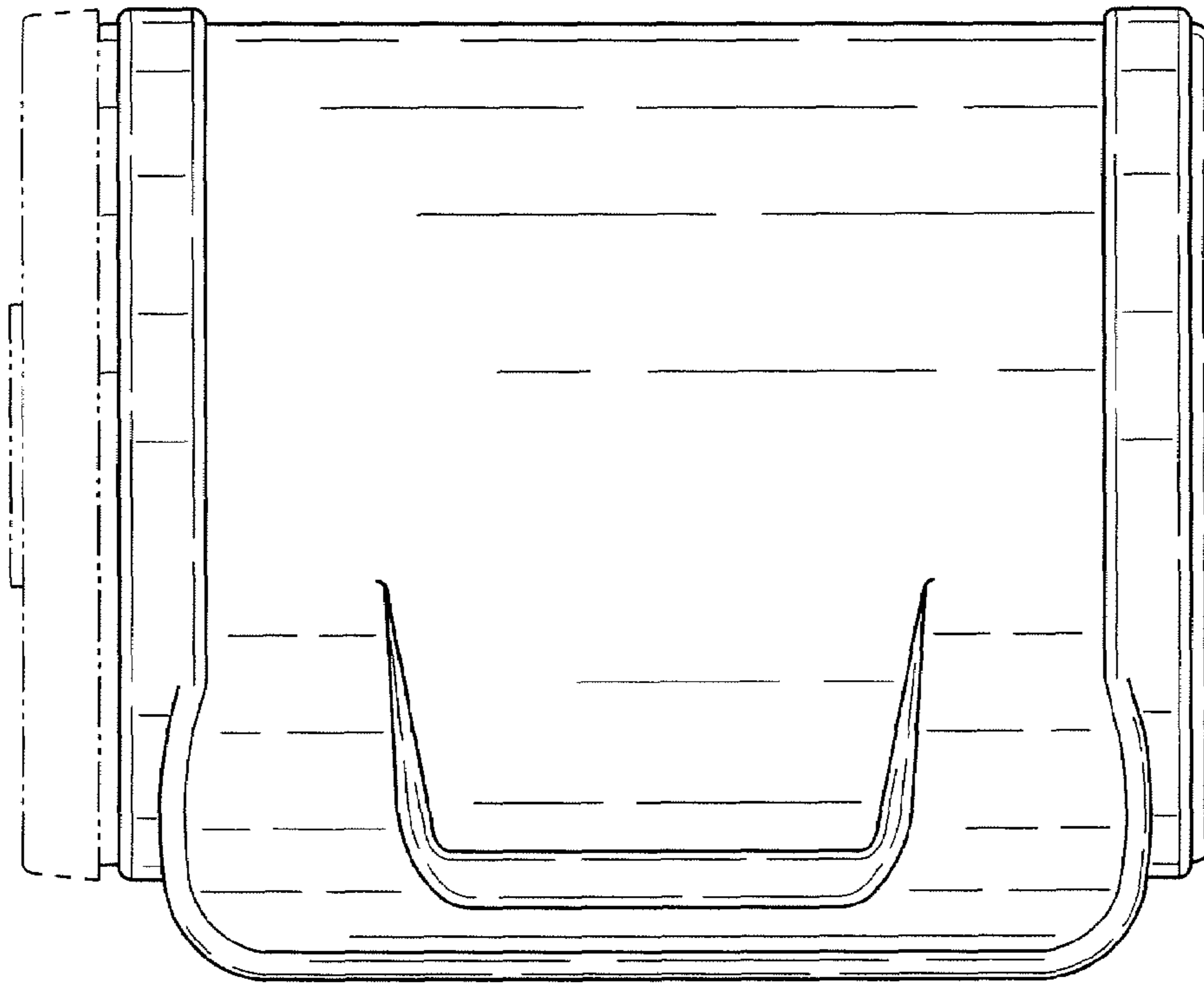


Fig. 2

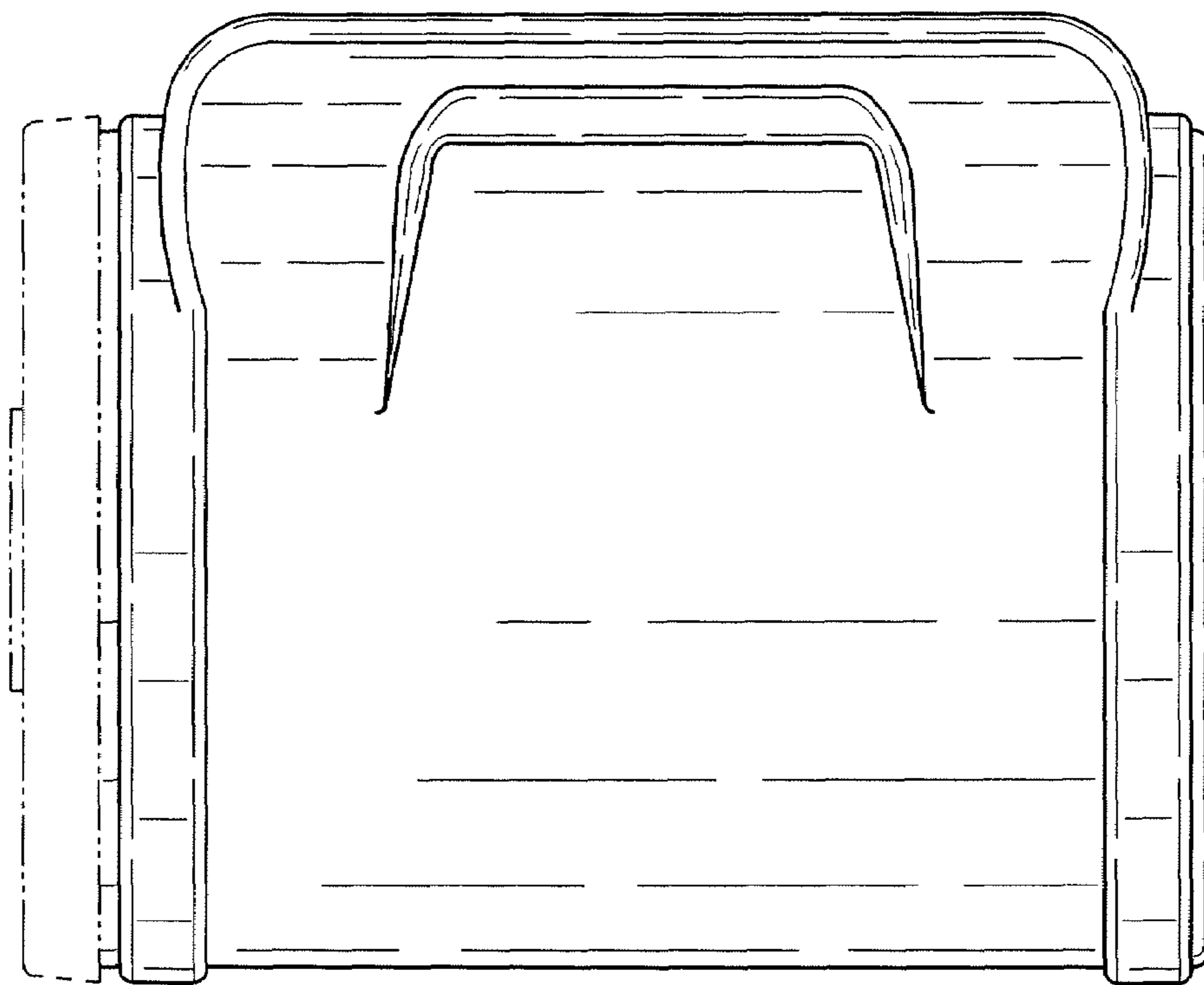


Fig. 3

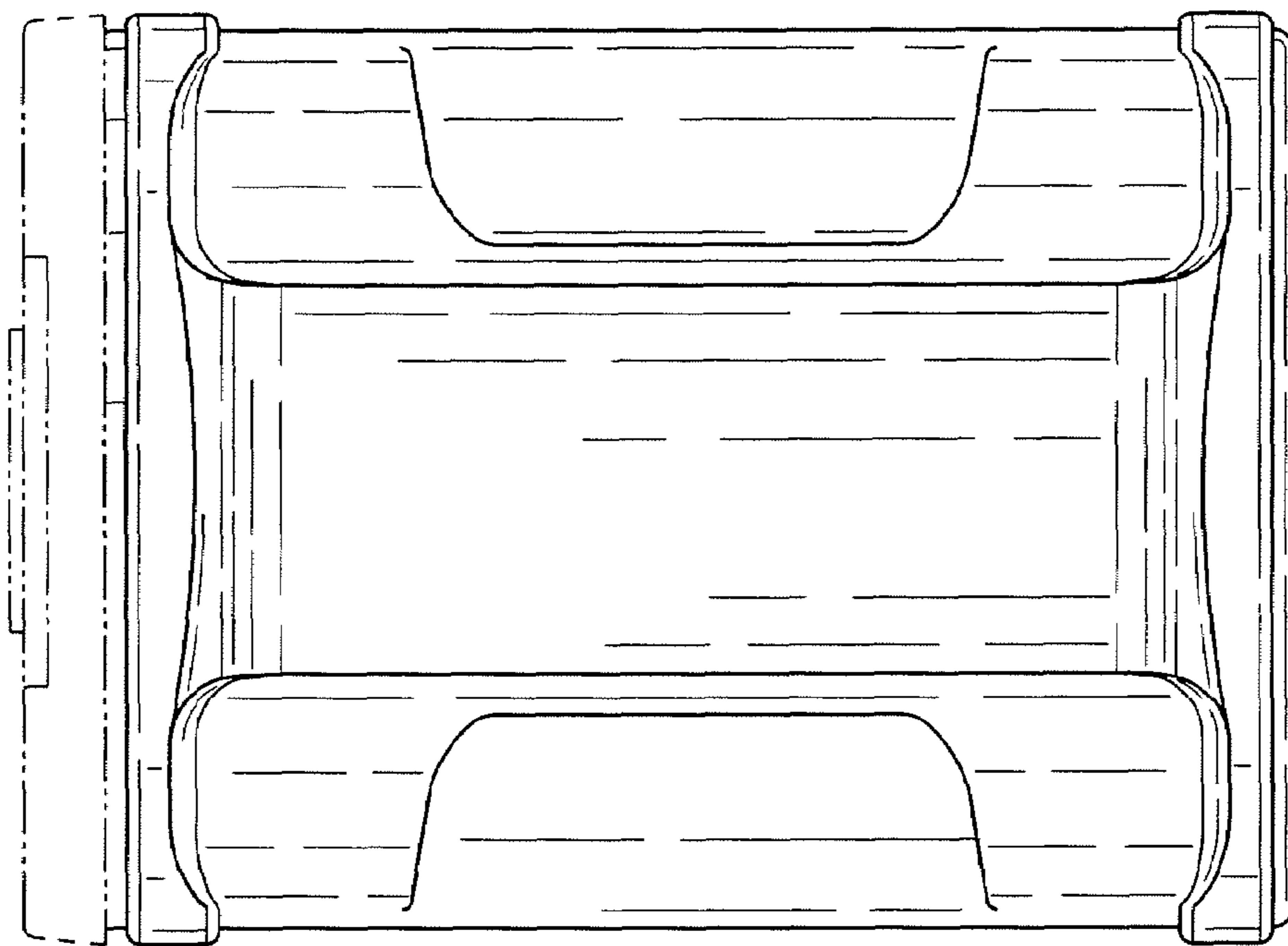


Fig. 5

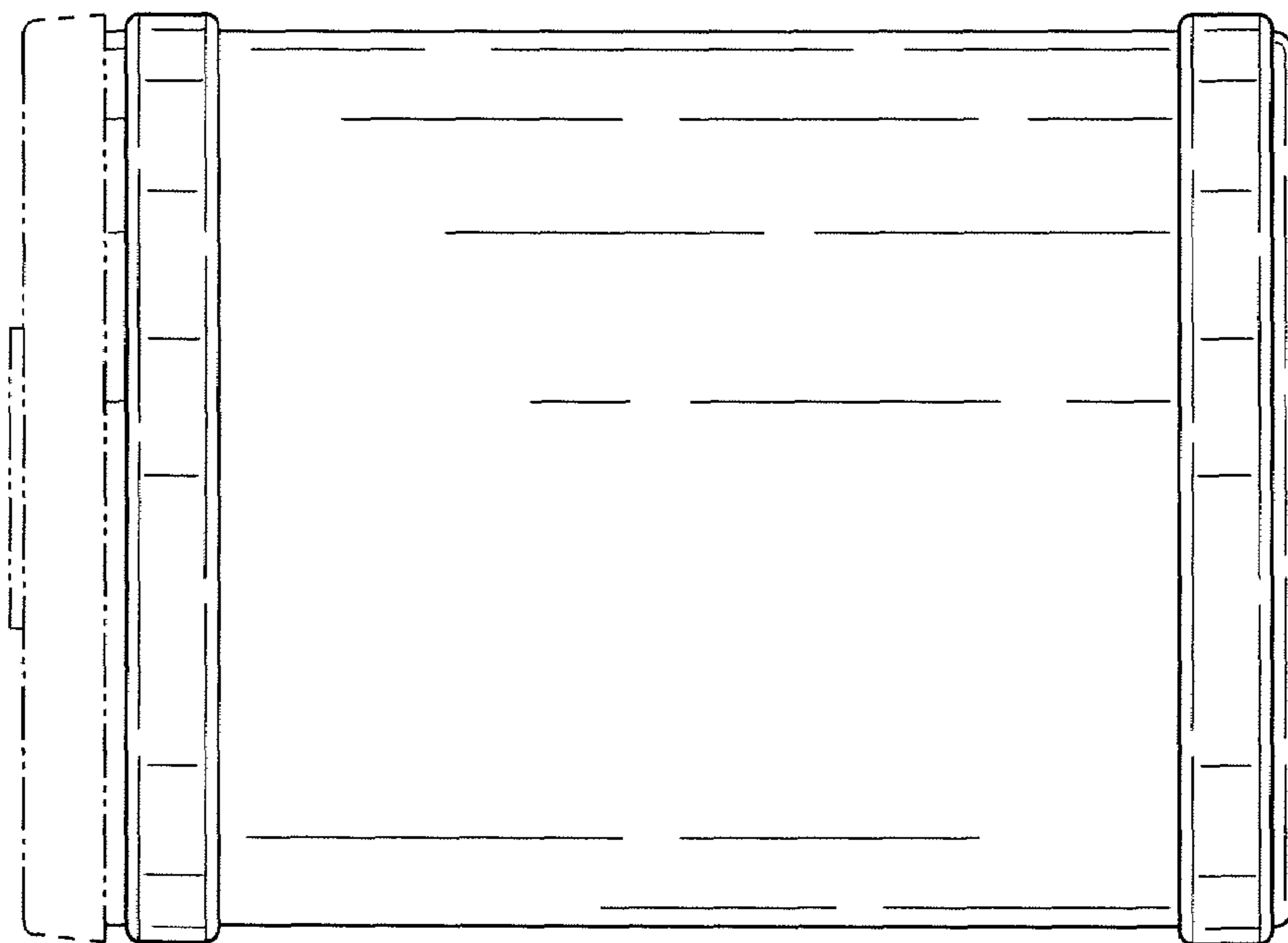


Fig. 4

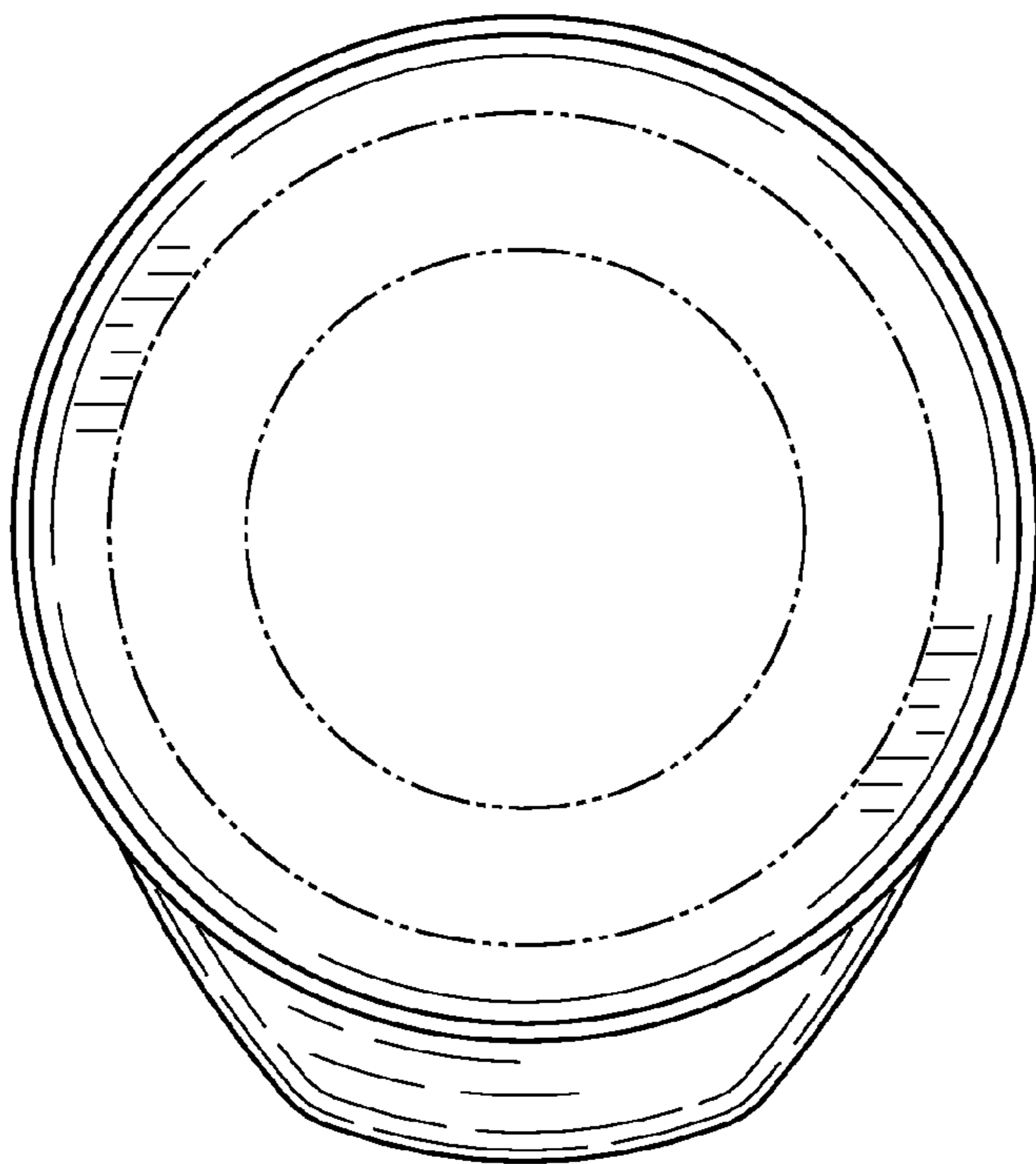


Fig. 7

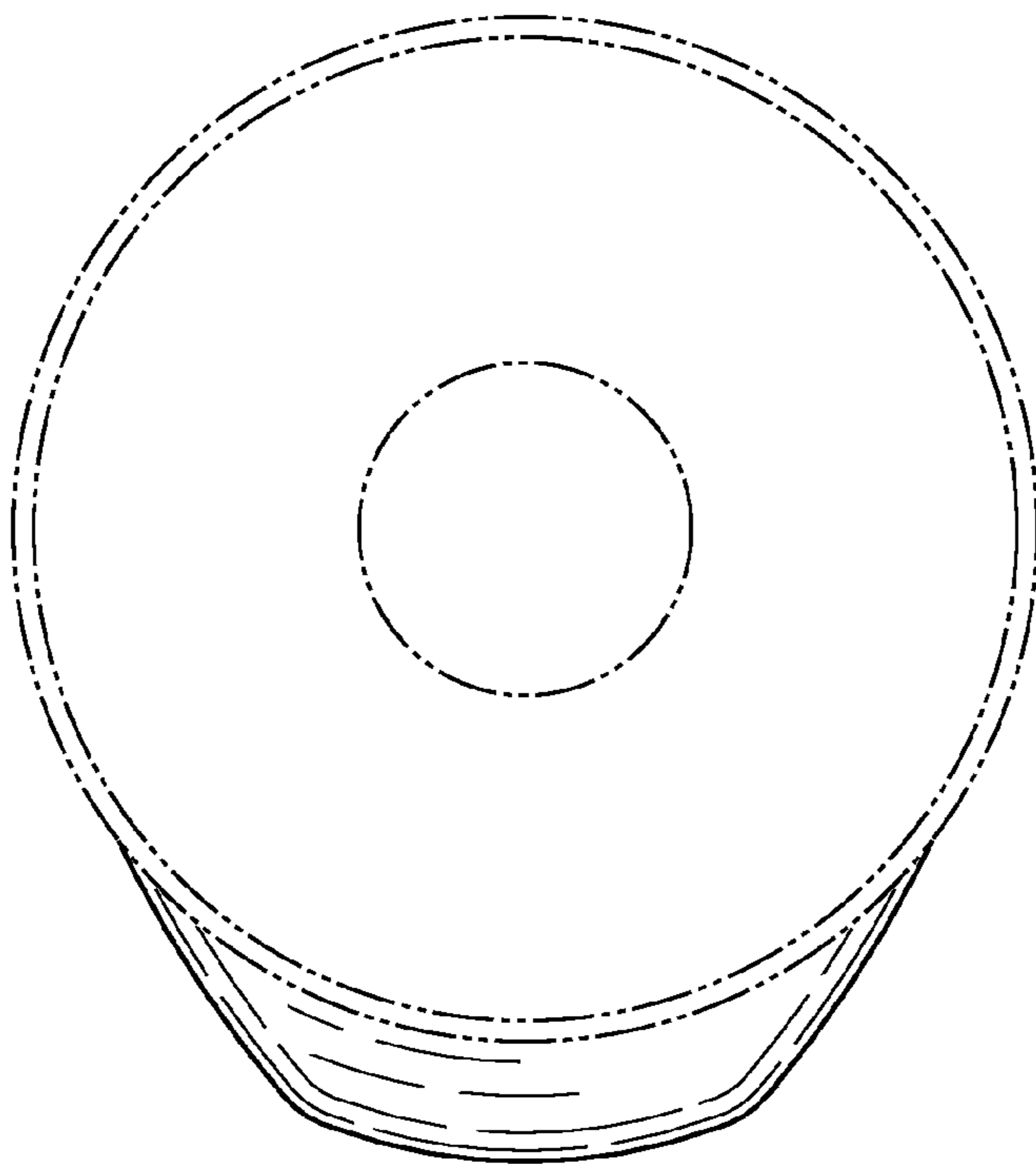


Fig. 6