



US00D589817S

(12) **United States Design Patent**
Shmagin

(10) **Patent No.:** **US D589,817 S**

(45) **Date of Patent:** **** Apr. 7, 2009**

(54) **BOTTLE**

(75) Inventor: **Dmitriy L. Shmagin**, Palatine, IL (US)

(73) Assignee: **Stokely-Van Camp, Inc.**, Chicago, IL (US)

(**) Term: **14 Years**

(21) Appl. No.: **29/325,041**

(22) Filed: **Sep. 25, 2008**

Related U.S. Application Data

(62) Division of application No. 29/252,626, filed on Jan. 25, 2006, now Pat. No. Des. 579,339.

(51) **LOC (9) Cl.** **09-01**

(52) **U.S. Cl.** **D9/667; D9/516**

(58) **Field of Classification Search** D9/600,
D9/652, 667, 434, 500-503, 516-520, 537-543,
D9/549-553, 556-566, 569-570; 215/379-383,
215/375, 400; 220/890

See application file for complete search history.

(56) **References Cited**

U.S. PATENT DOCUMENTS

D316,966 S *	5/1991	York	D9/538
D321,830 S *	11/1991	York et al.	D9/434
6,016,932 A *	1/2000	Gaydosh et al.	215/382
D419,882 S *	2/2000	Bretz et al.	D9/520
D421,720 S *	3/2000	Eberle et al.	D9/500
6,036,037 A *	3/2000	Scheffer et al.	215/381
6,044,996 A *	4/2000	Carew et al.	215/381
D439,166 S *	3/2001	Denner et al.	D9/538
D465,158 S *	11/2002	Peek et al.	D9/538
D497,796 S *	11/2004	Bretz et al.	D9/667
D499,959 S *	12/2004	Bretz et al.	D9/667
D504,618 S *	5/2005	Bretz et al.	D9/667
D505,333 S *	5/2005	Bretz et al.	D9/667
D505,334 S *	5/2005	Bretz et al.	D9/667
D506,678 S *	6/2005	Bretz et al.	D9/667
D506,679 S *	6/2005	Bretz et al.	D9/667
D510,274 S *	10/2005	Bretz et al.	D9/667

D511,689 S *	11/2005	Bretz et al.	D9/667
D512,325 S *	12/2005	Bretz et al.	D9/667
D517,914 S *	3/2006	Bretz et al.	D9/434
D525,530 S *	7/2006	Livingston et al.	D9/538
D545,198 S *	6/2007	Hatcher et al.	D9/516
D565,962 S *	4/2008	Sasaki et al.	D9/567

* cited by examiner

Primary Examiner—Sandra Morris

(74) *Attorney, Agent, or Firm*—Banner & Witcoff, Ltd.

(57) **CLAIM**

The ornamental design for a bottle, as shown and described.

DESCRIPTION

FIG. 1 is a perspective view of a first embodiment of my new design for a bottle;

FIG. 2 is a front elevation view of the bottle of FIG. 1;

FIG. 3 is a side elevation view of the bottle of FIG. 2 rotated 90° clockwise;

FIG. 4 is a side elevation view of the bottle of FIG. 2 rotated 45° clockwise;

FIG. 5 is a top plan view of the bottle of FIG. 1;

FIG. 6 is a bottom plan view of the bottle of FIG. 1;

FIG. 7 is a perspective view of a second embodiment of the bottle;

FIG. 8 is a front elevation view of the bottle of FIG. 7;

FIG. 9 is a side elevation view of the bottle of FIG. 8 rotated 90° clockwise;

FIG. 10 is a side elevation view of the bottle of FIG. 8 rotated 45° clockwise;

FIG. 11 is a top plan view of the bottle of FIG. 7; and,

FIG. 12 is a bottom plan view of the bottle of FIG. 7.

The dashed line shown in the drawings is for illustrative purposes only and forms no part of the claimed design. The dot-dash-dot line shown in the drawings defines the boundary of the claim and forms no part of the claimed design.

1 Claim, 10 Drawing Sheets

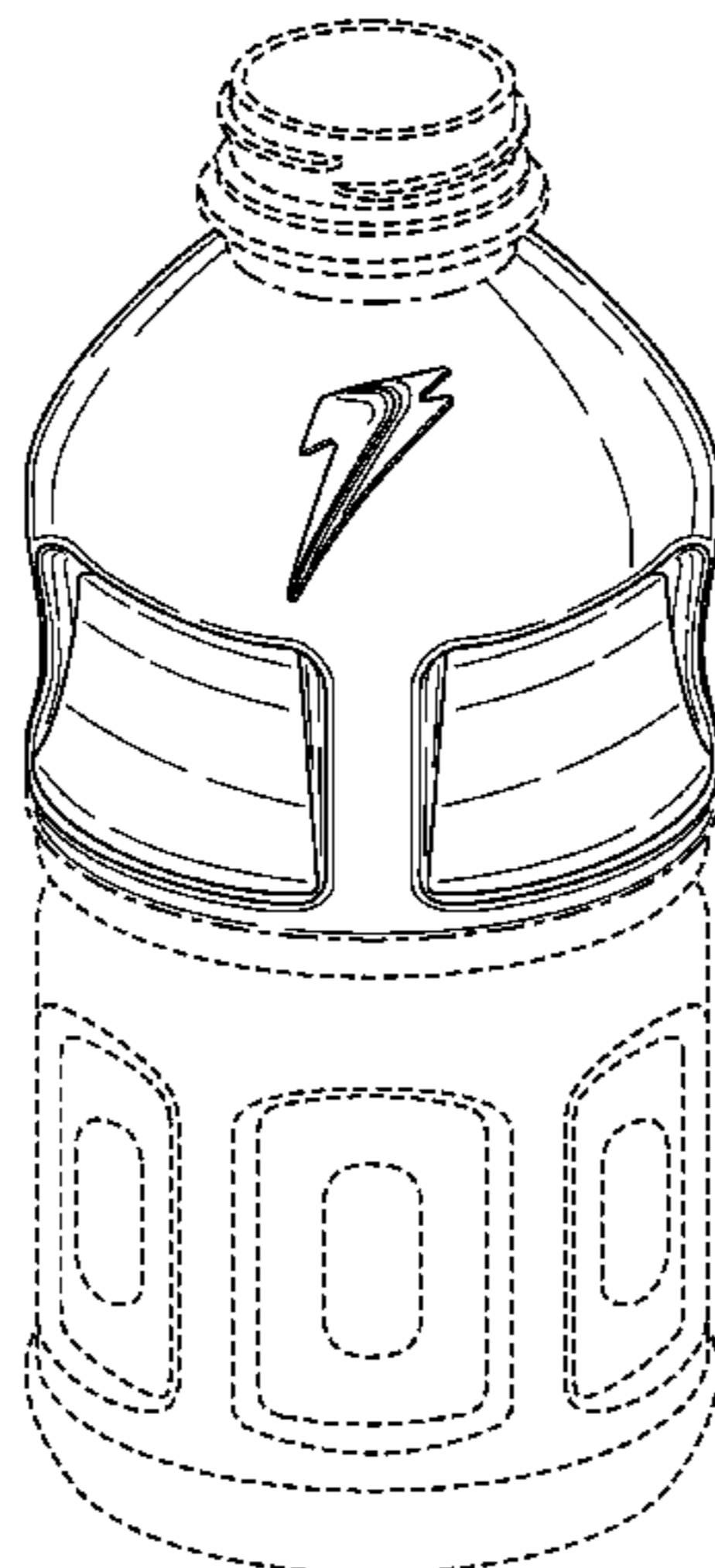


Fig. 1

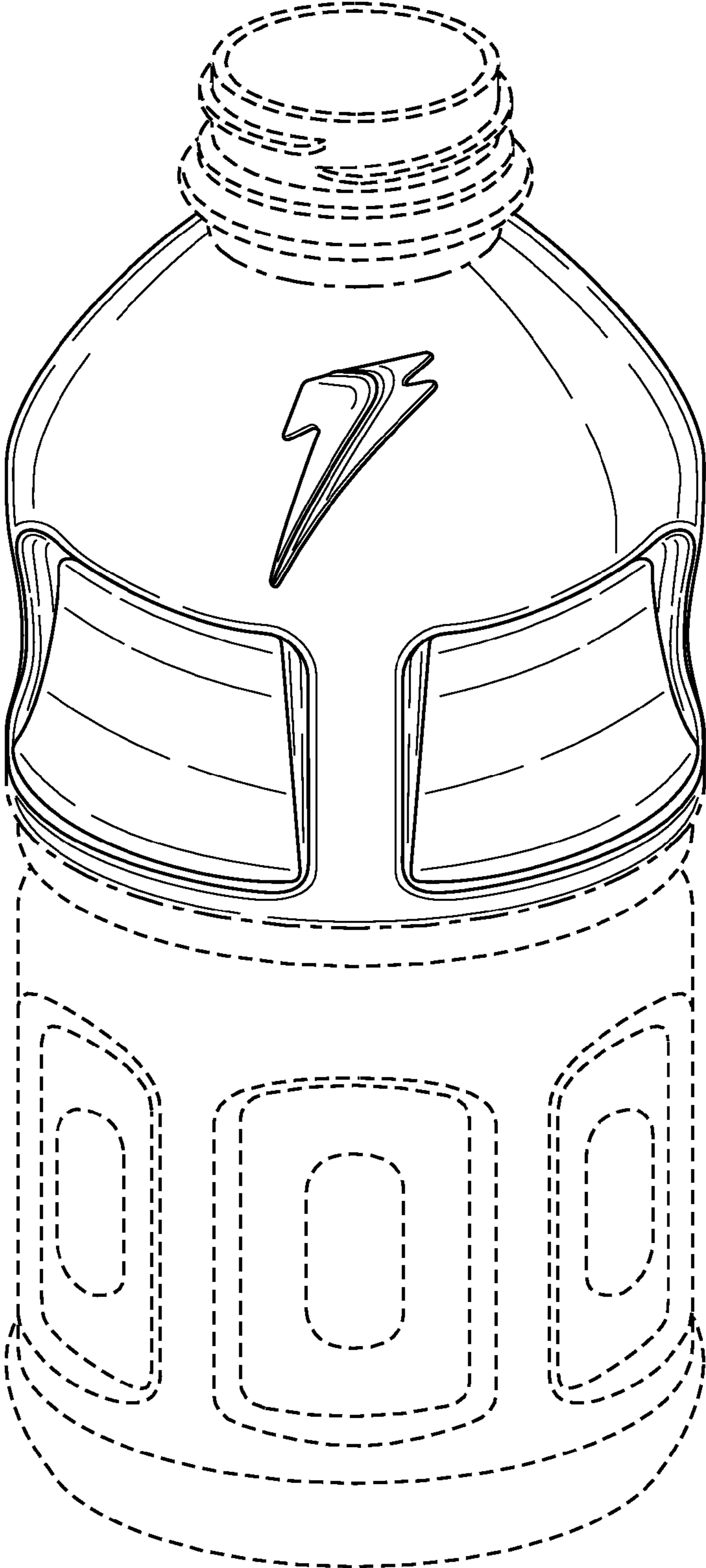


Fig. 2

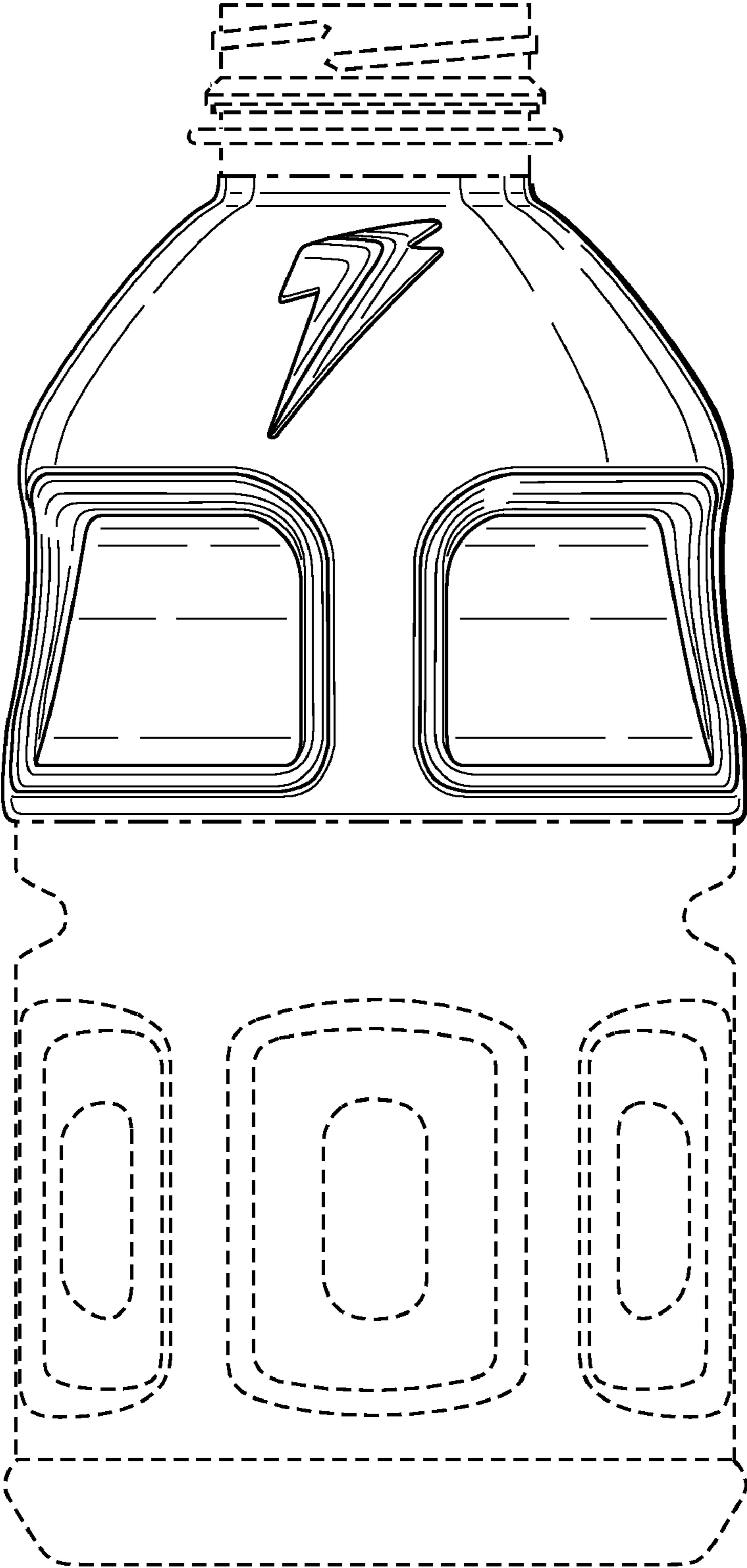


Fig. 3

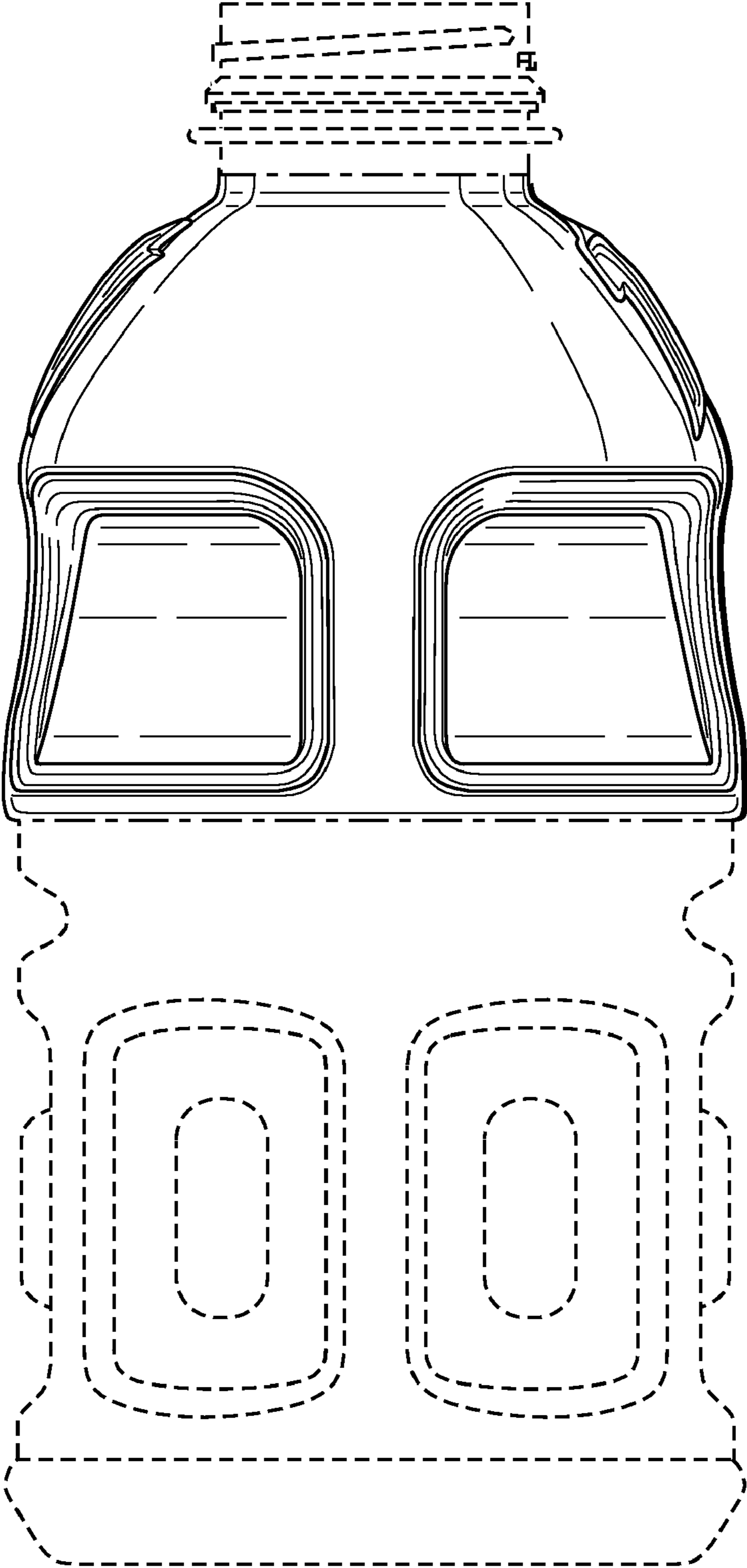


Fig. 4

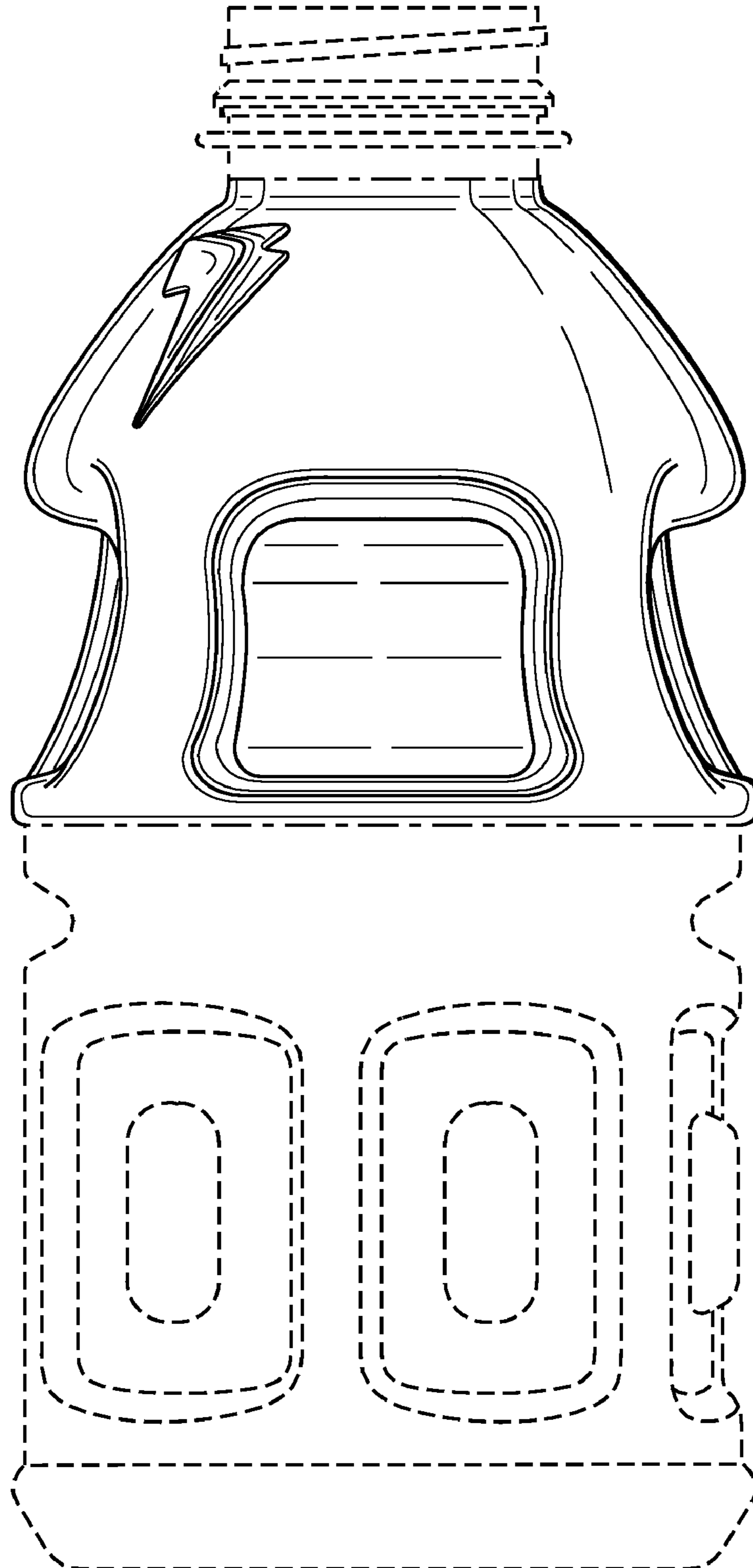


Fig. 5

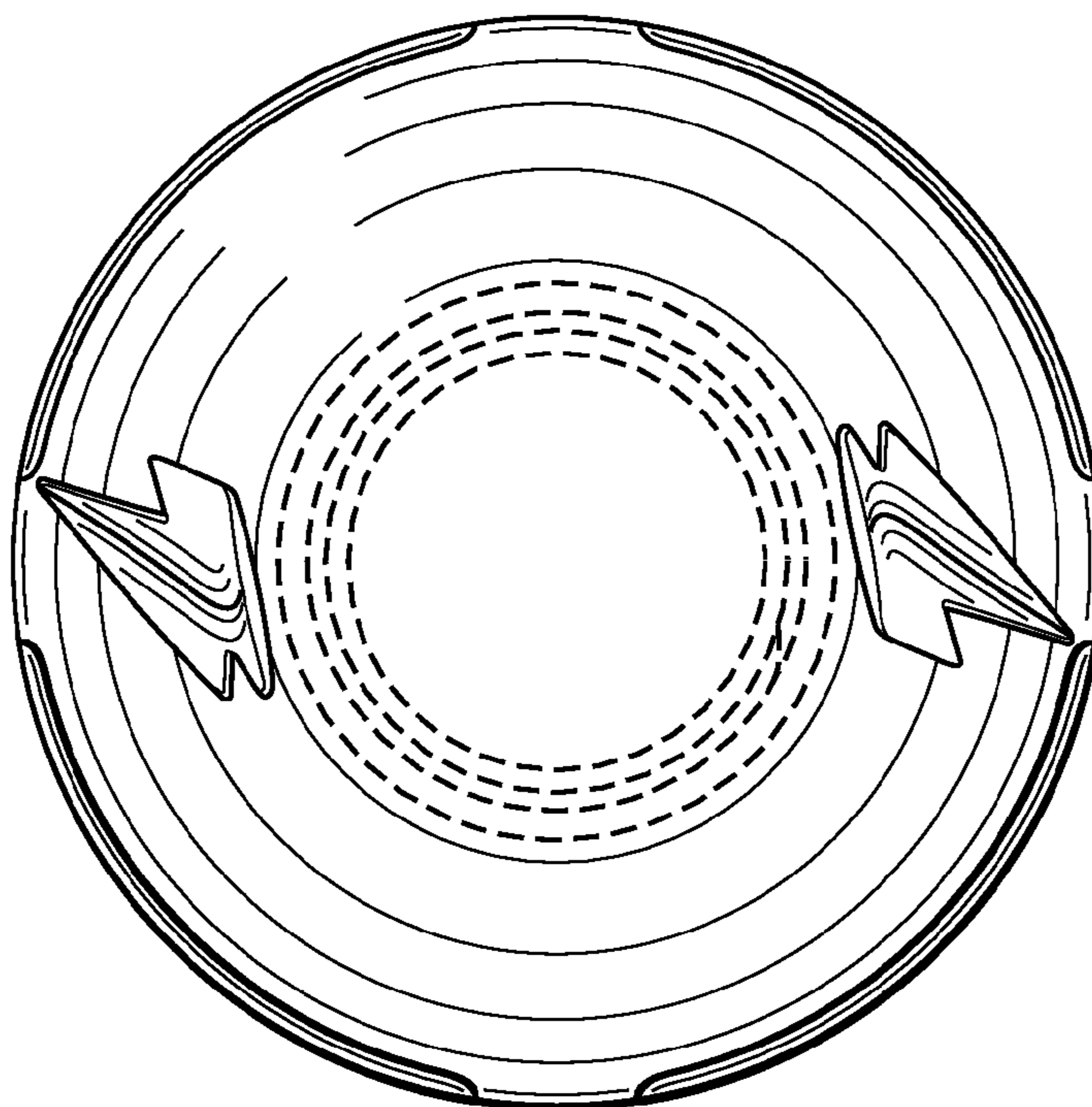


Fig. 6

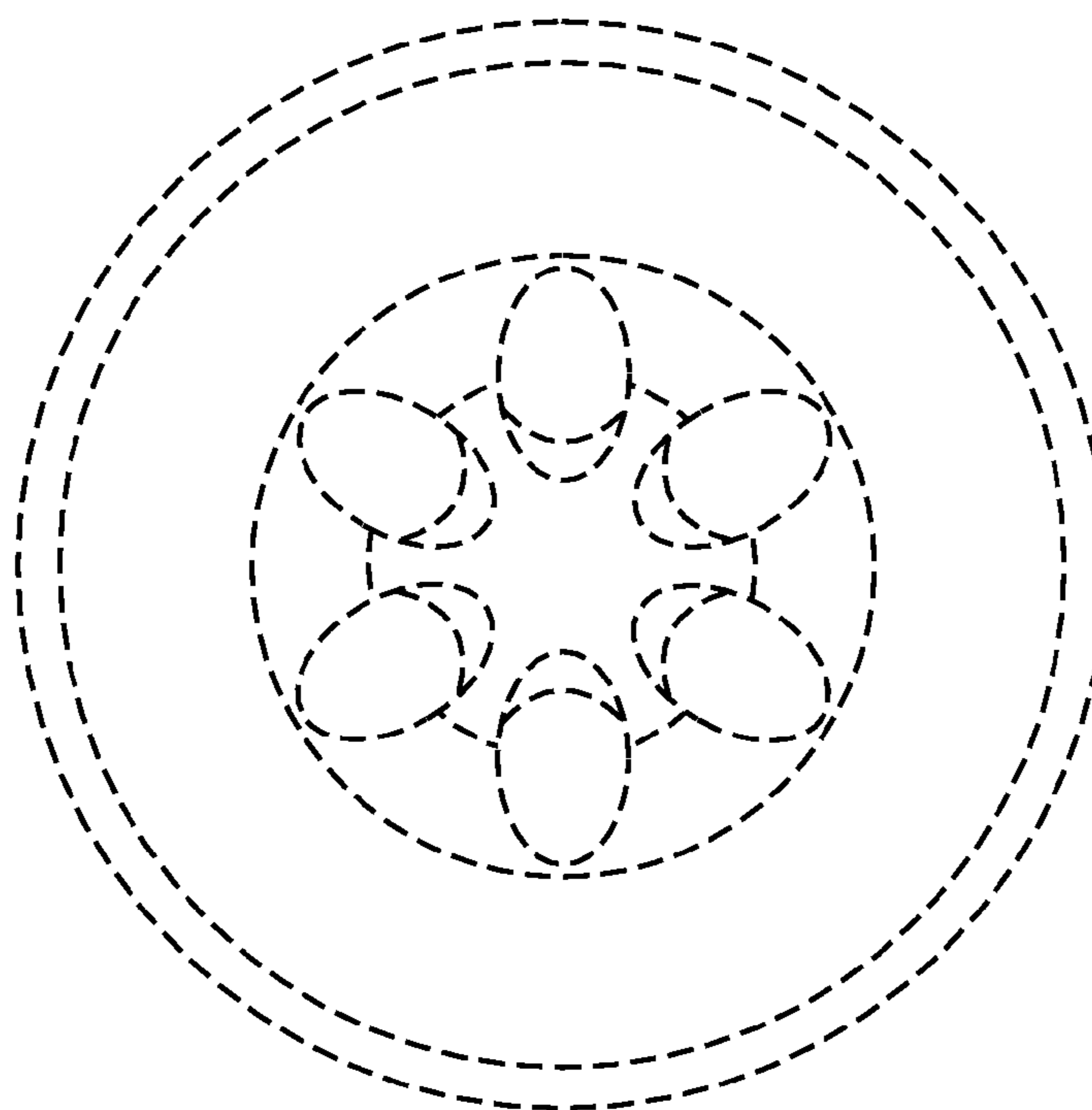


Fig. 7

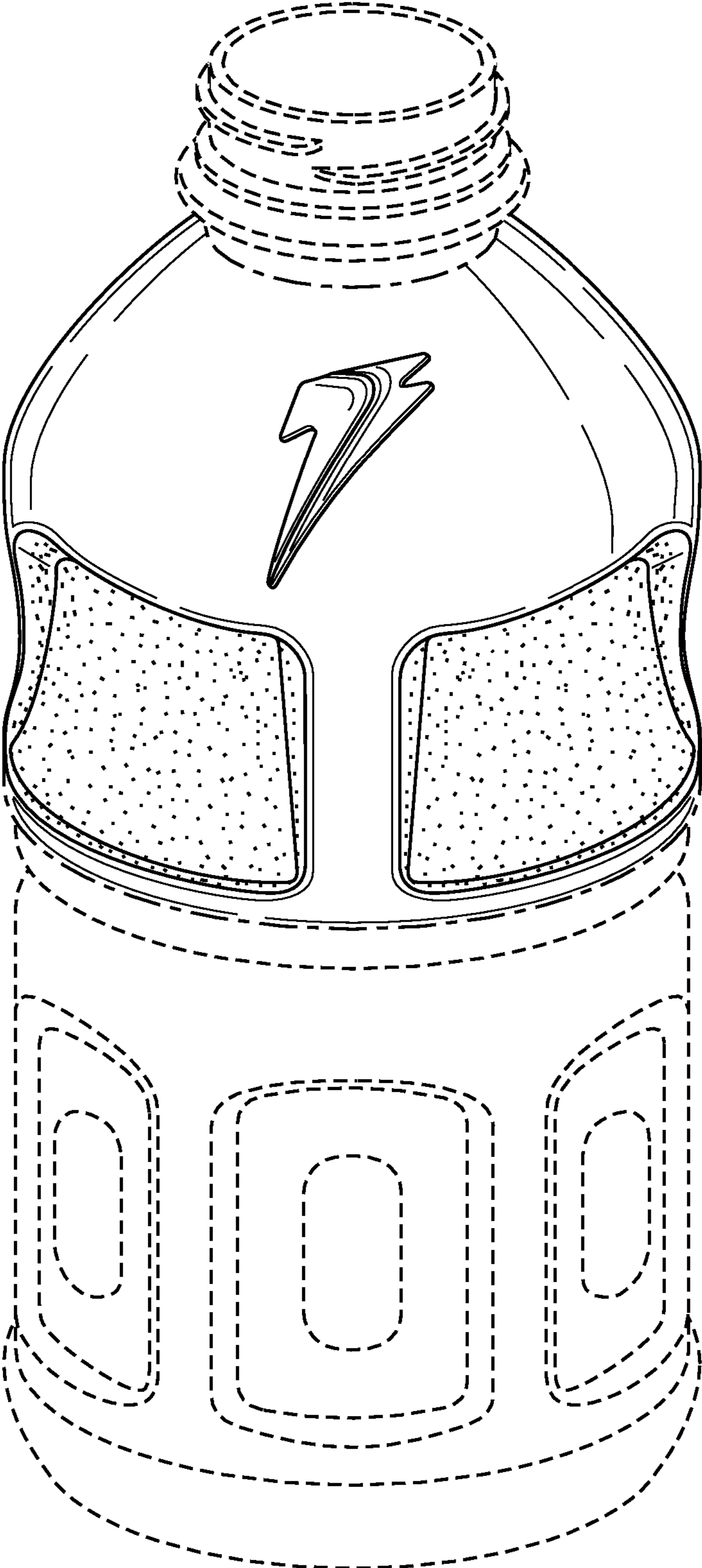


Fig. 8

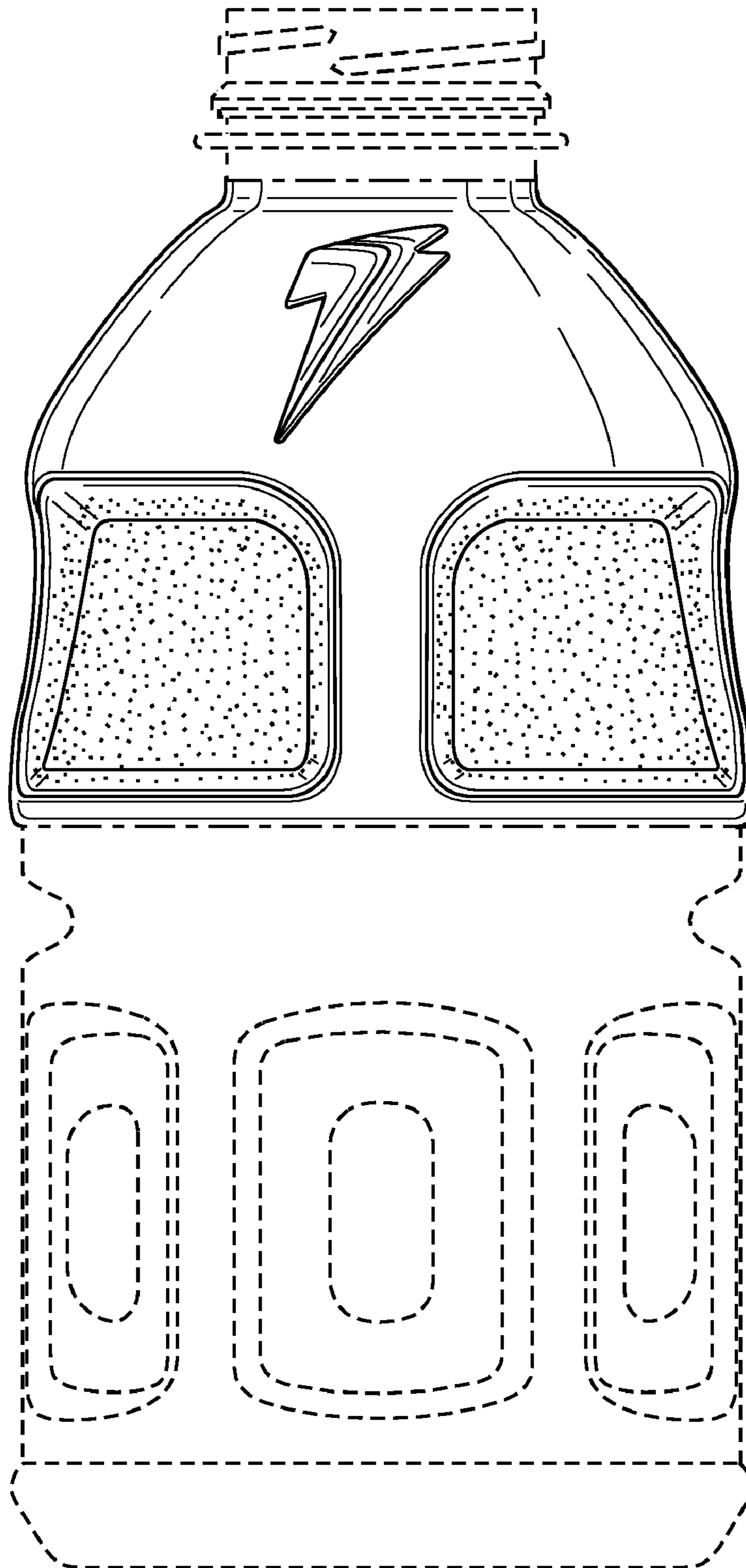


Fig. 9

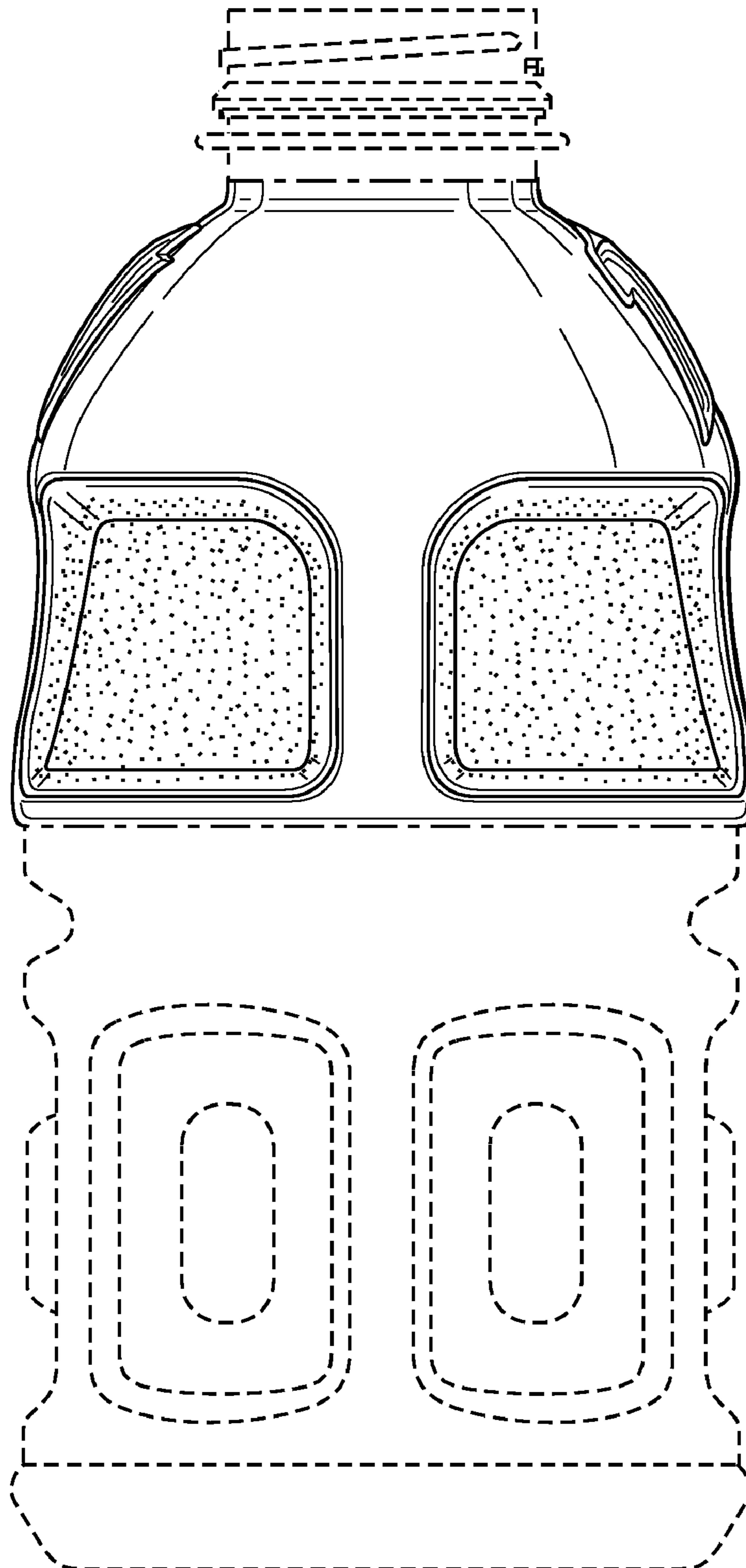


Fig. 10

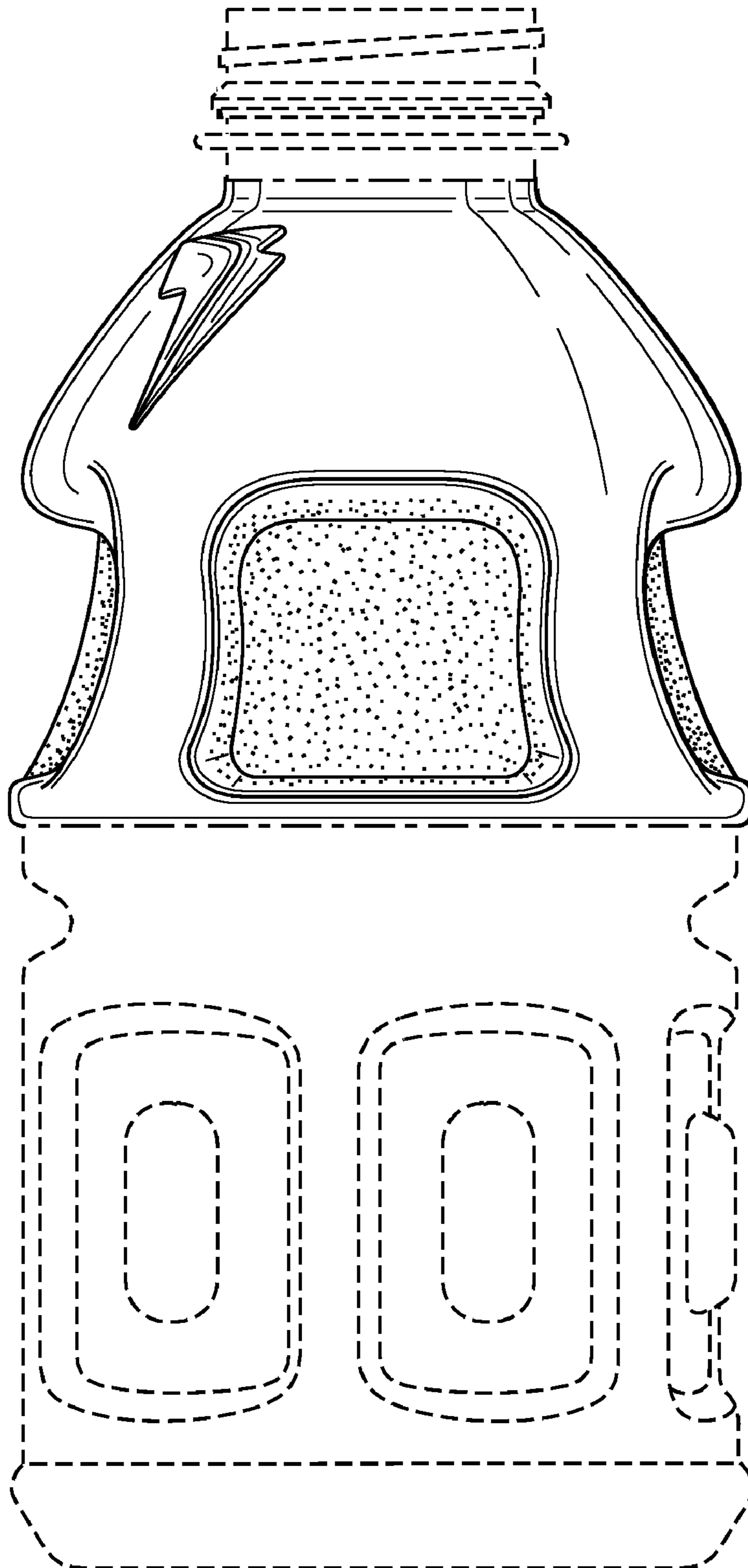


Fig. 11

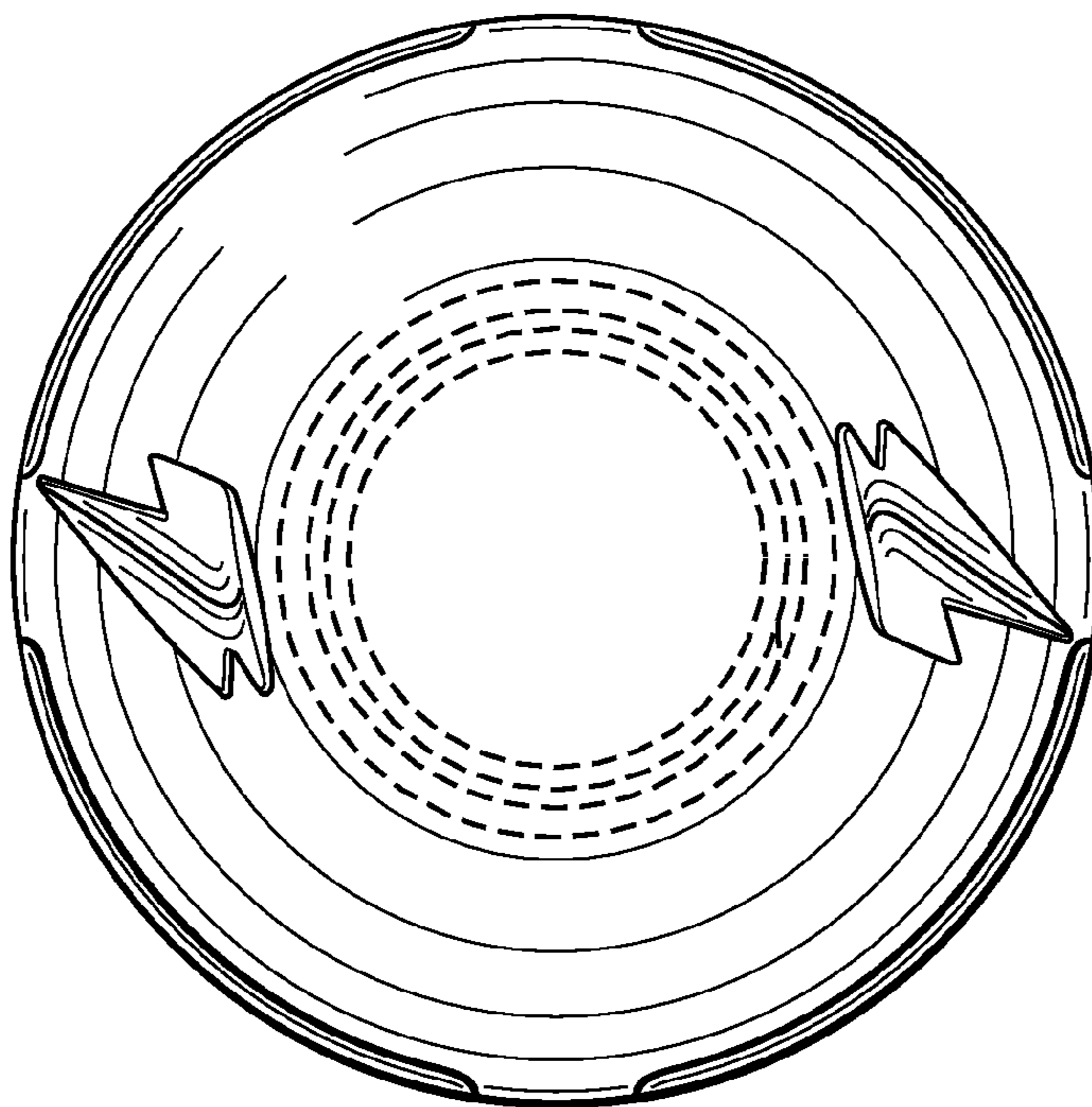


Fig. 12

