



US00D589809S

(12) **United States Design Patent**  
**Gundrum et al.**

(10) **Patent No.:** **US D589,809 S**

(45) **Date of Patent:** **\*\* Apr. 7, 2009**

(54) **LUBRICANT DISPENSER**

D528,425 S \* 9/2006 Van Dorin et al. .... D9/527  
D573,885 S \* 7/2008 Considine et al. .... D9/528

(75) Inventors: **Daniel Gundrum**, Slinger, WI (US);  
**Nicholas Scherer**, Hartford, WI (US)

\* cited by examiner

(73) Assignee: **Trico Corporation**, Pewaukee, WI (US)

*Primary Examiner*—Stella M Reid

*Assistant Examiner*—Shanda C Hill

(\*\*) Term: **14 Years**

(74) *Attorney, Agent, or Firm*—Ryan Kromholz & Manion  
S.C.

(21) Appl. No.: **29/301,661**

(57) **CLAIM**

(22) Filed: **Mar. 12, 2008**

The ornamental design for a lubricant dispenser, as shown  
and described.

(51) **LOC (9) Cl.** ..... **09-01**

(52) **U.S. Cl.** ..... **D9/528; D23/211.1**

(58) **Field of Classification Search** ..... D9/516,  
D9/527, 528, 531, 563, 572; D23/211, 211.1,  
D23/211.2; 215/243, 329, 379–386, 395,  
215/396, 398; 220/752, 769, 771; 222/465,  
222/465.1

See application file for complete search history.

**DESCRIPTION**

FIG. 1 is a perspective view of the lubricant container of the  
present invention;

FIG. 2 is a first side view of the lubricant container of the  
present invention;

FIG. 3 is a second side view of the lubricant container of the  
present invention;

FIG. 4 is a front view of the lubricant container of the present  
invention;

FIG. 5 is a rear view of the lubricant container of the present  
invention;

FIG. 6 is a top view of the lubricant container of the present  
invention; and,

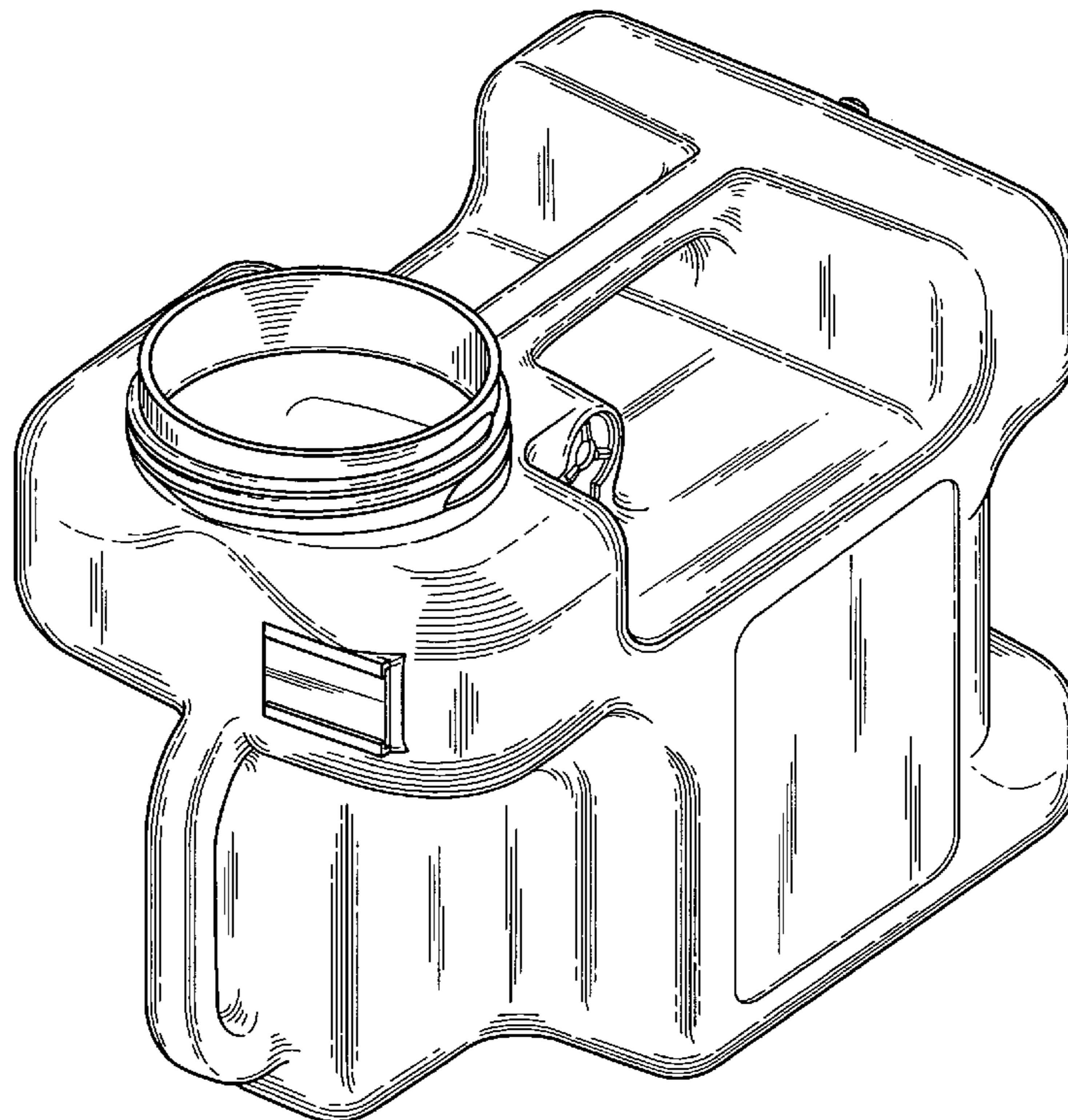
FIG. 7 is a bottom view of the lubricant container of the  
present invention.

(56) **References Cited**

**U.S. PATENT DOCUMENTS**

D205,166 S \* 6/1966 Price ..... D9/527  
D279,549 S \* 7/1985 Elmburg ..... D23/211.1  
D333,177 S \* 2/1993 Poirier ..... D23/211.1  
D338,158 S \* 8/1993 Poirier ..... D23/211.1  
D358,097 S \* 5/1995 Leibowitz ..... D9/527  
D358,548 S \* 5/1995 Platte ..... D9/527  
5,884,802 A \* 3/1999 Leibowitz ..... 220/771  
D485,189 S \* 1/2004 Montalbano et al. .... D9/528  
D527,639 S \* 9/2006 Voss et al. .... D9/528

**1 Claim, 3 Drawing Sheets**



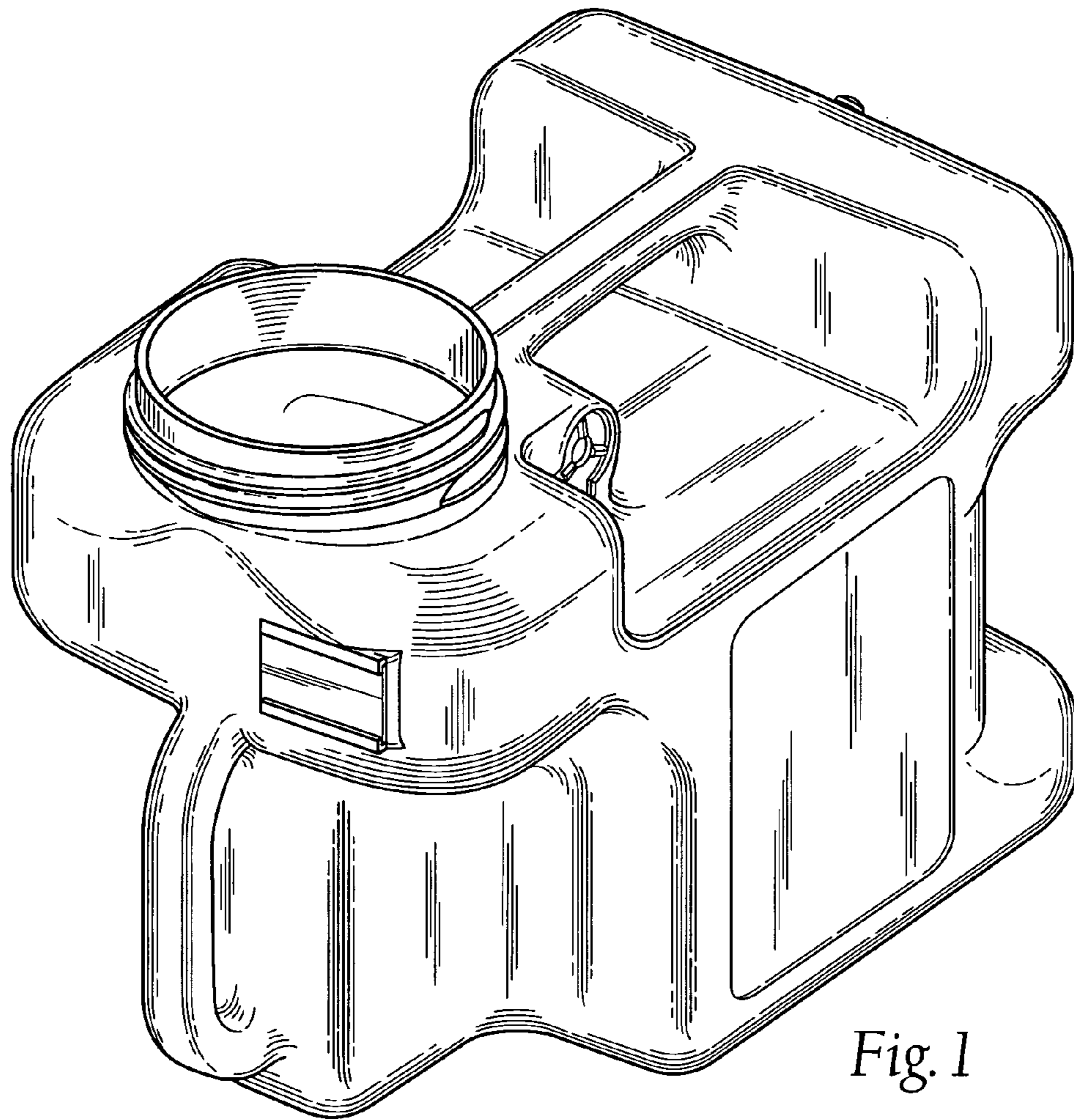


Fig. 1

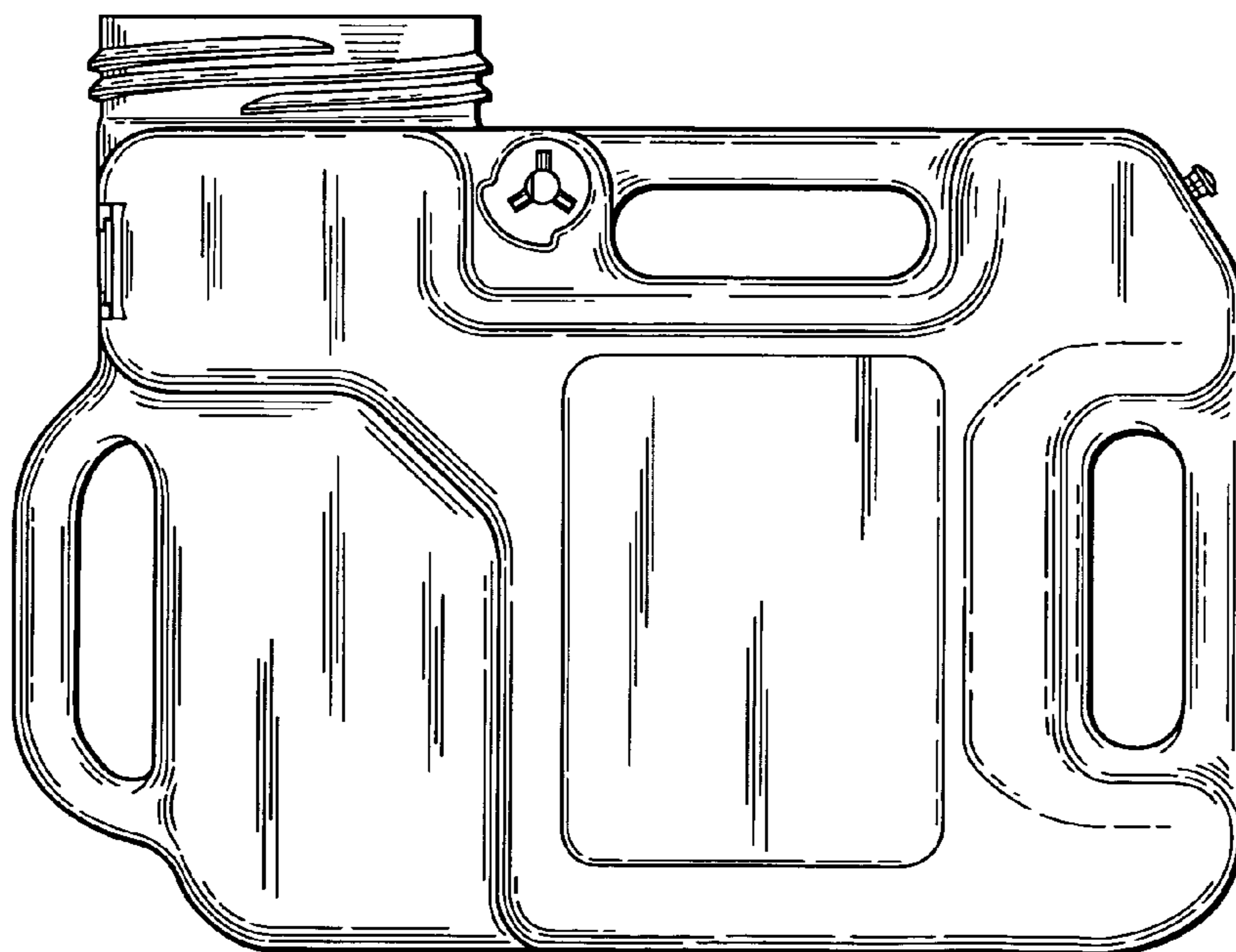


Fig. 2

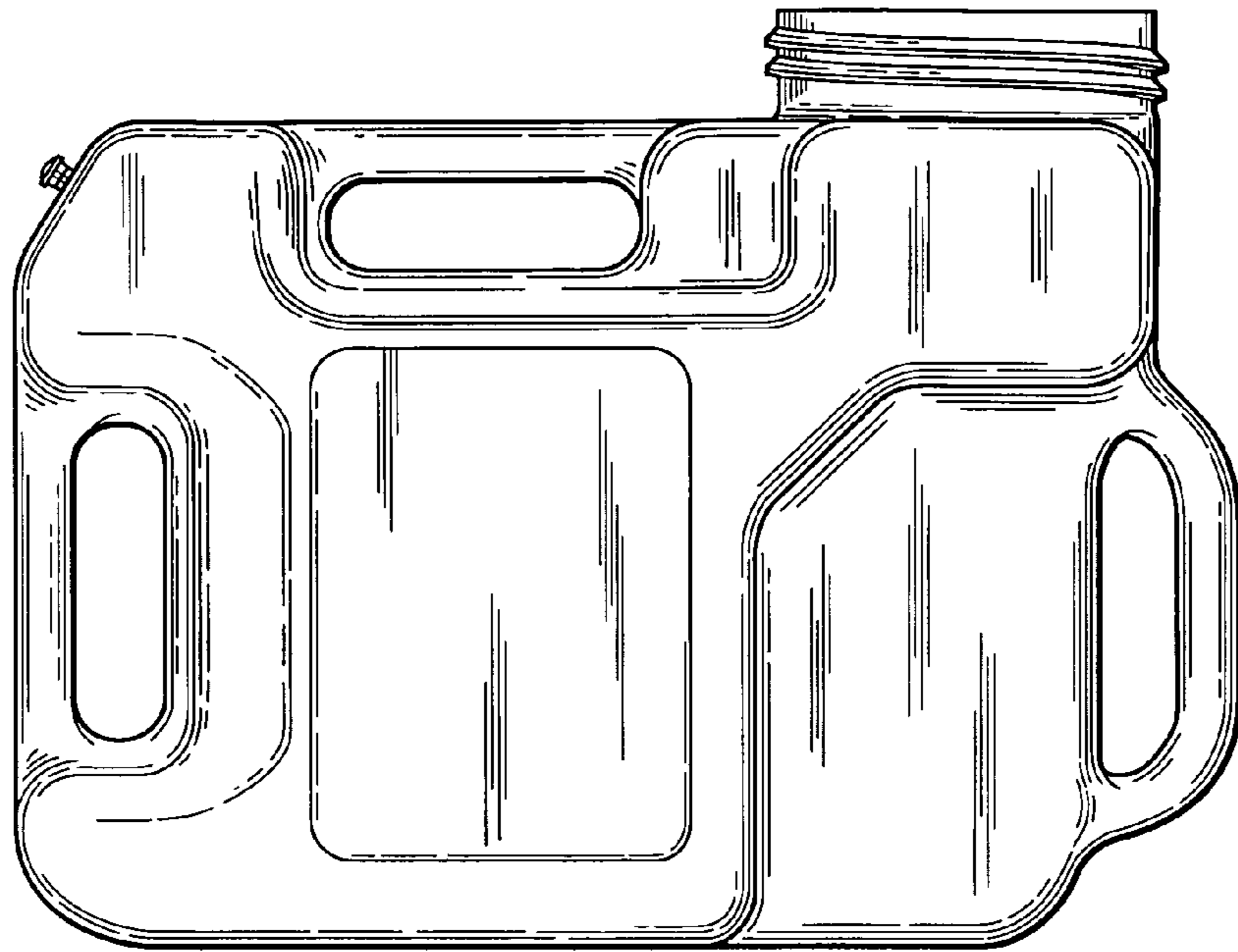


Fig. 3

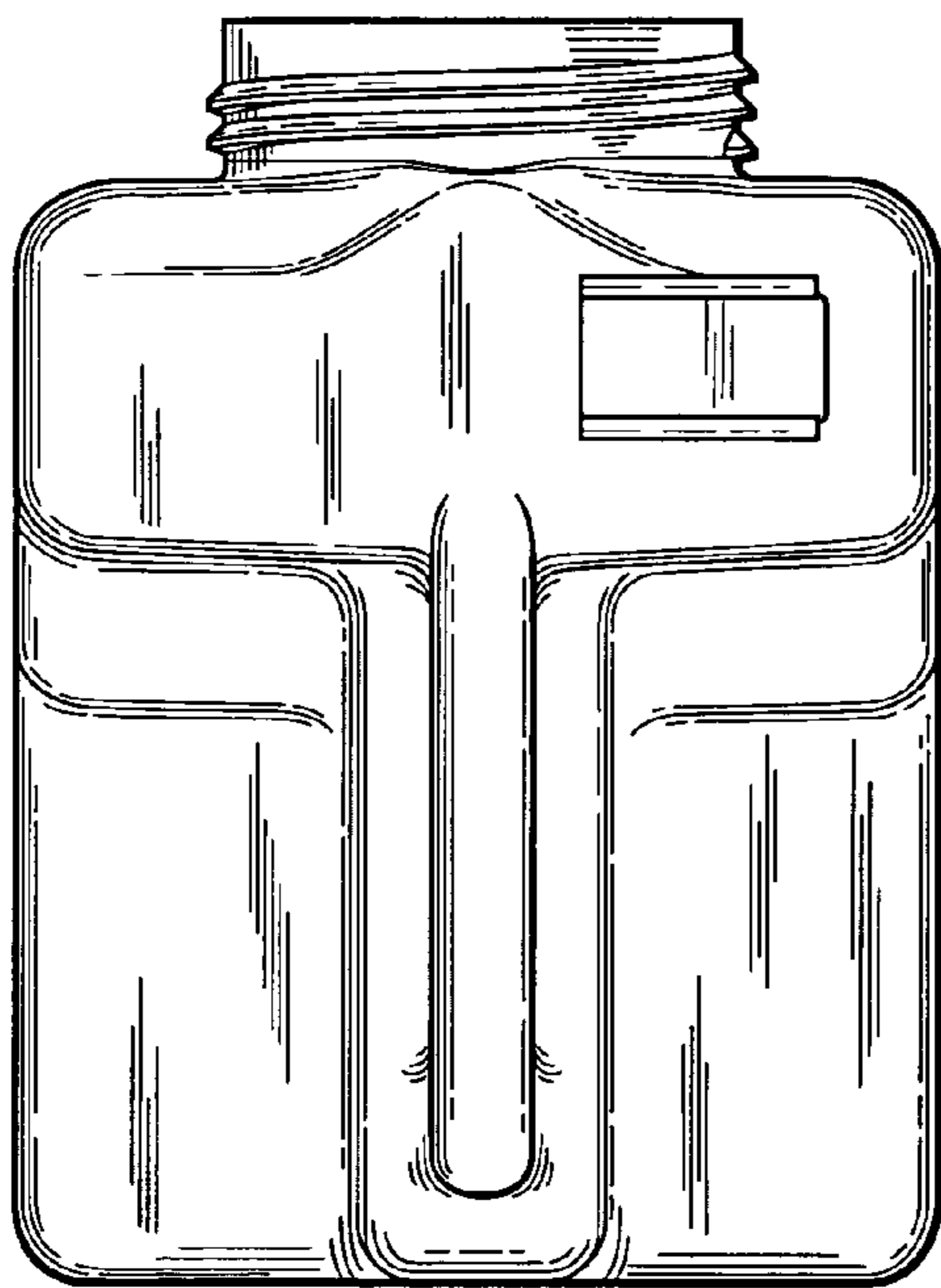


Fig. 4

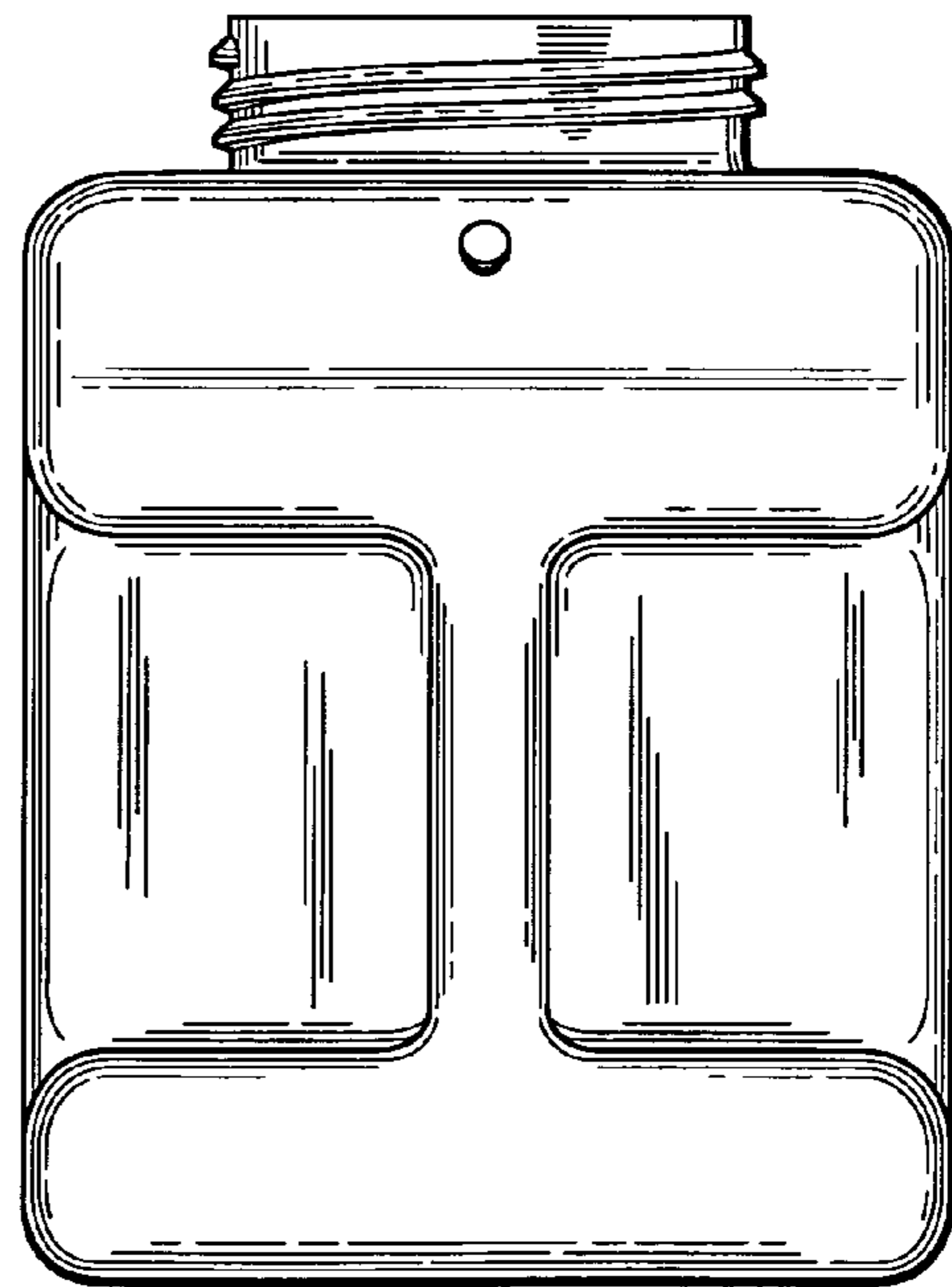
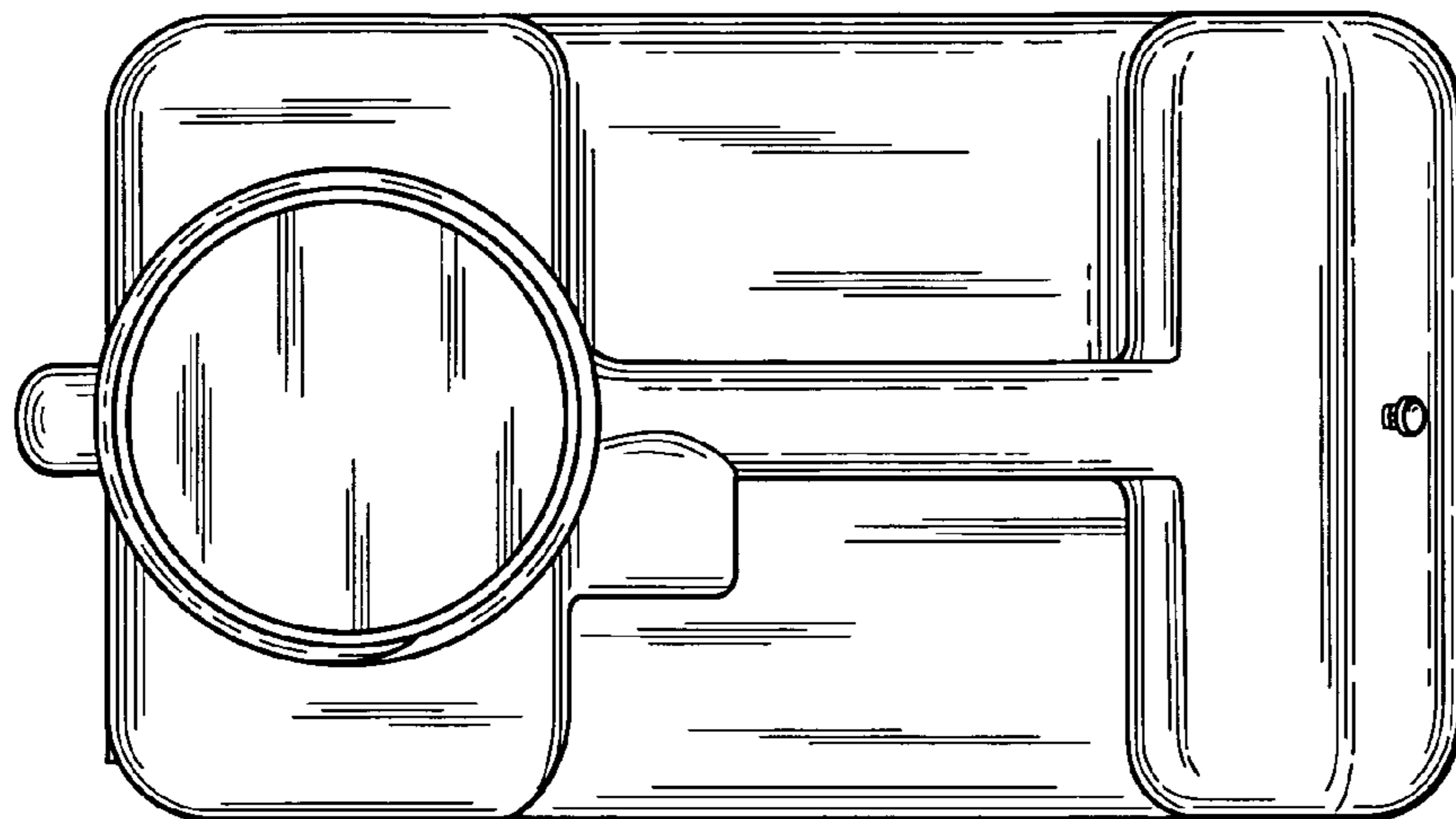
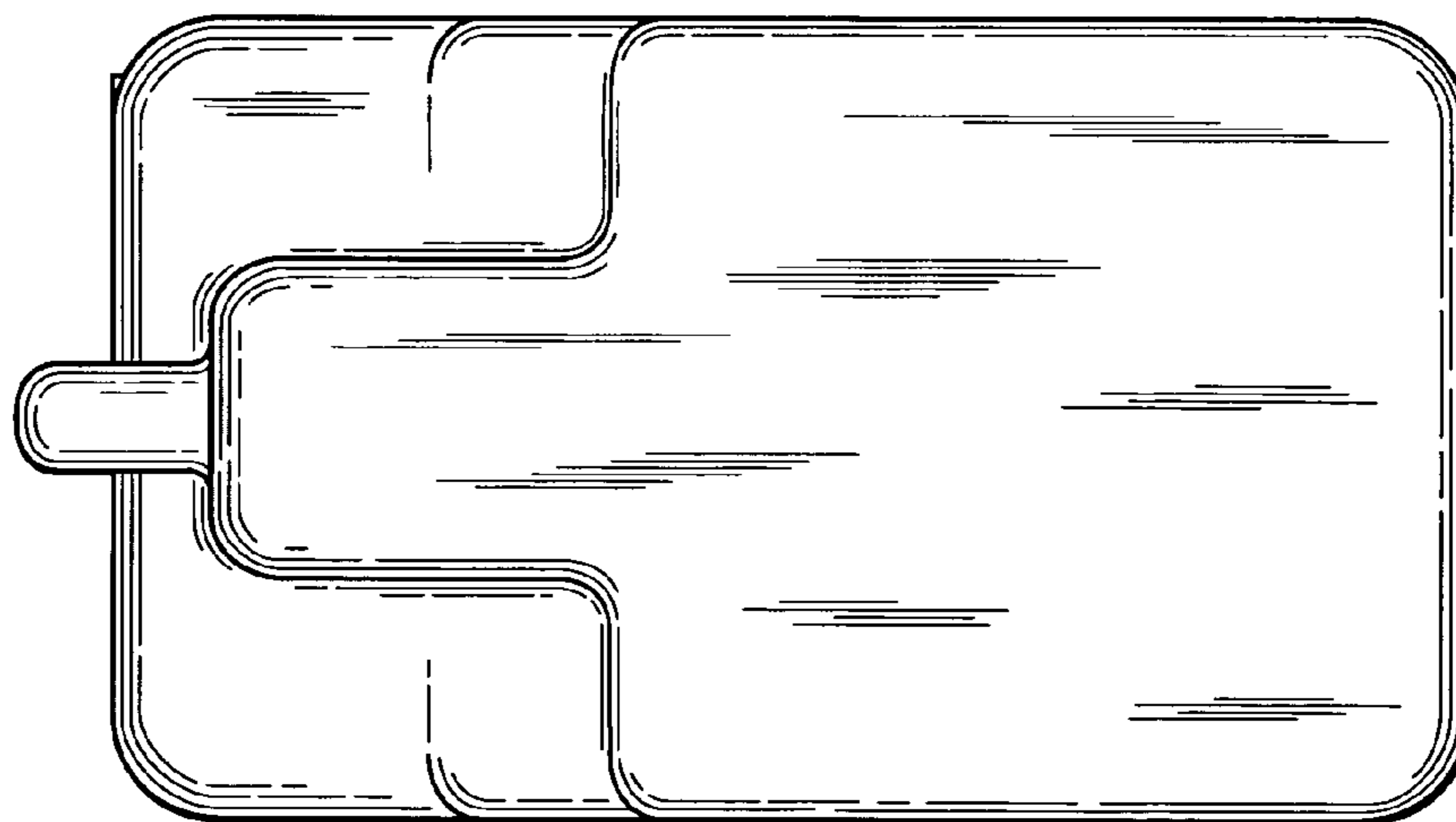


Fig. 5



*Fig. 6*



*Fig. 7*