



US00D589807S

(12) **United States Design Patent**
Gundrum et al.

(10) **Patent No.:** **US D589,807 S**

(45) **Date of Patent:** **** Apr. 7, 2009**

(54) **LUBRICANT DISPENSER**

(75) Inventors: **Daniel Gundrum**, Slinger, WI (US);
Nicholas Scherer, Hartford, WI (US)

(73) Assignee: **Trico Corporation**, Pewaukee, WI (US)

(**) Term: **14 Years**

(21) Appl. No.: **29/301,659**

(22) Filed: **Mar. 12, 2008**

(51) **LOC (9) Cl.** **09-01**

(52) **U.S. Cl.** **D9/528; D23/211.1**

(58) **Field of Classification Search** D9/516,
D9/527, 528, 531, 563, 572; D23/211, 211.1,
D23/211.2; 215/243, 329, 379-386, 395,
215/396, 398; 220/752, 769, 771; 222/465,
222/465.1

See application file for complete search history.

(56) **References Cited**

U.S. PATENT DOCUMENTS

D205,166 S *	6/1966	Price	D9/527
D279,549 S *	7/1985	Elmburg	D23/211.1
D333,177 S *	2/1993	Poirier	D23/211.1
D338,158 S *	8/1993	Poirier	D23/211.1
D358,097 S *	5/1995	Leibowitz	D9/527
D358,548 S *	5/1995	Platte	D9/527
5,884,802 A *	3/1999	Leibowitz	220/771
D485,189 S *	1/2004	Montalbano et al.	D9/528
D527,639 S *	9/2006	Voss et al.	D9/528

D528,425 S * 9/2006 Van Dorin et al. D9/527
D573,885 S * 7/2008 Considine et al. D9/528

* cited by examiner

Primary Examiner—Stella M Reid

Assistant Examiner—Shanda C Hill

(74) *Attorney, Agent, or Firm*—Ryan Kromholz & Manion
S.C.

(57) **CLAIM**

The ornamental design for a lubricant dispenser, as shown
and described.

DESCRIPTION

FIG. 1 is a perspective view of the lubricant container of the
present invention;

FIG. 2 is a first side view of the lubricant container of the
present invention;

FIG. 3 is a second side view of the lubricant container of the
present invention;

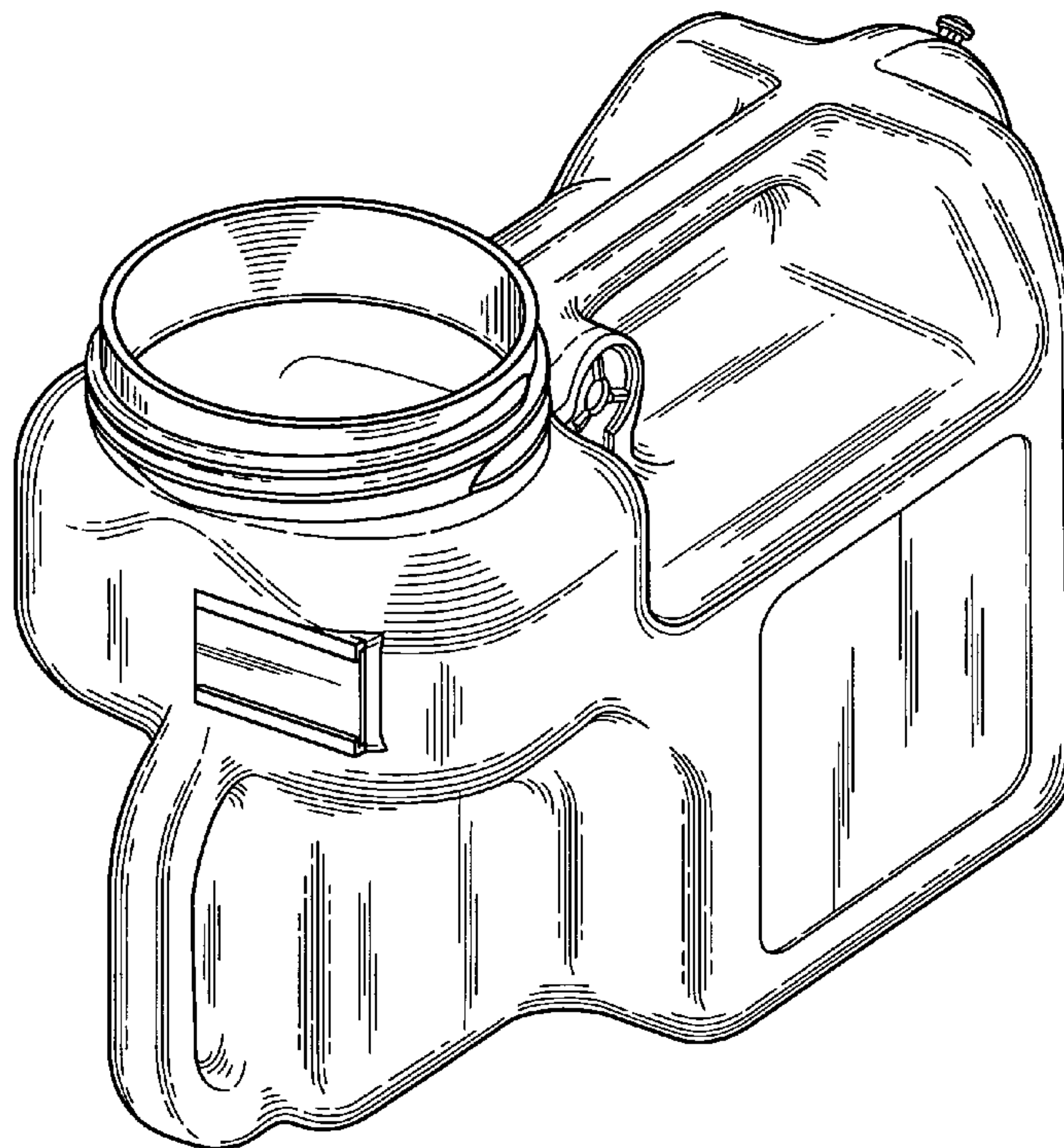
FIG. 4 is a front view of the lubricant container of the present
invention;

FIG. 5 is a rear view of the lubricant container of the present
invention;

FIG. 6 is a top view of the lubricant container of the present
invention; and,

FIG. 7 is a bottom view of the lubricant container of the
present invention.

1 Claim, 3 Drawing Sheets



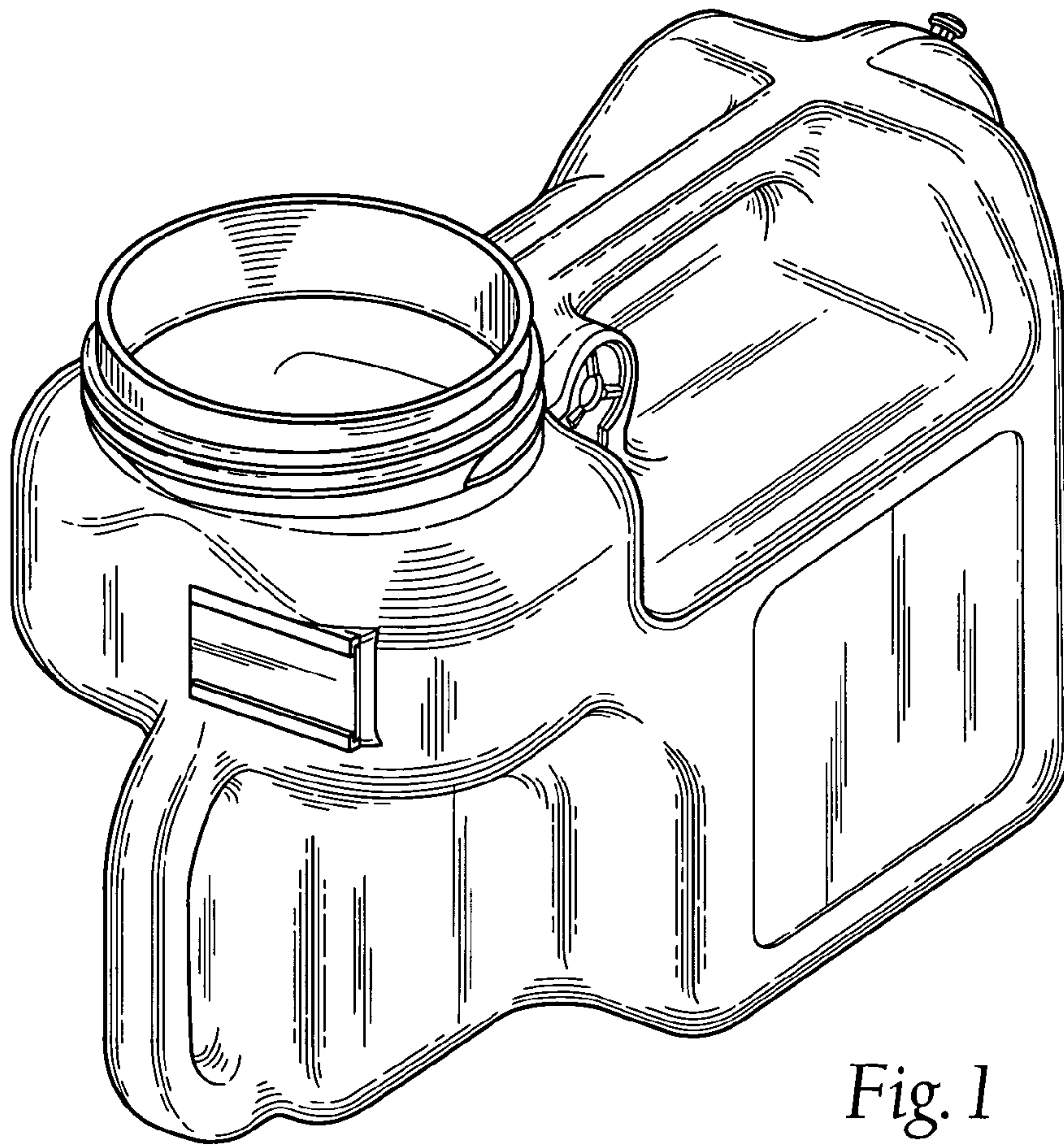


Fig. 1

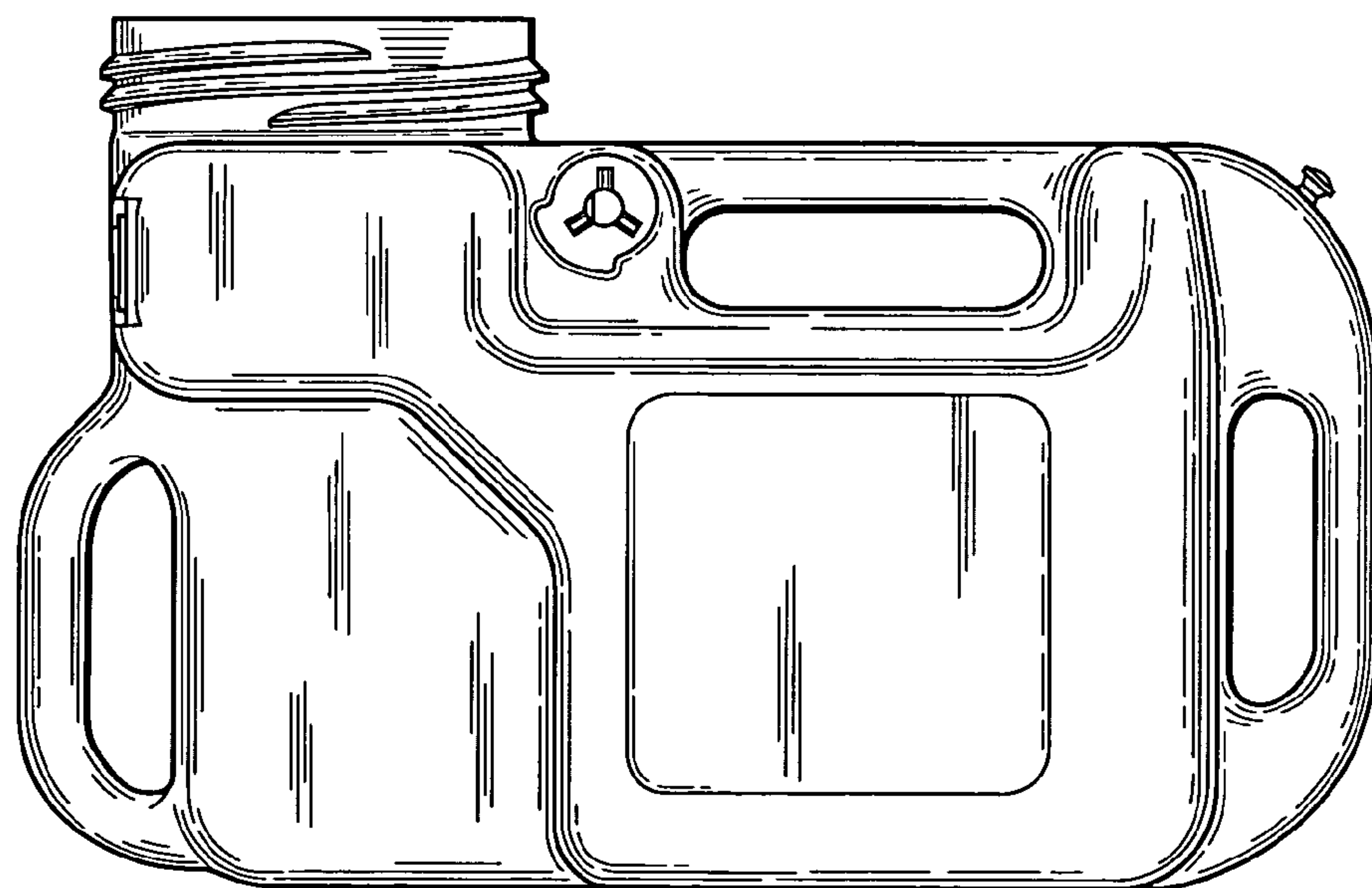


Fig. 2

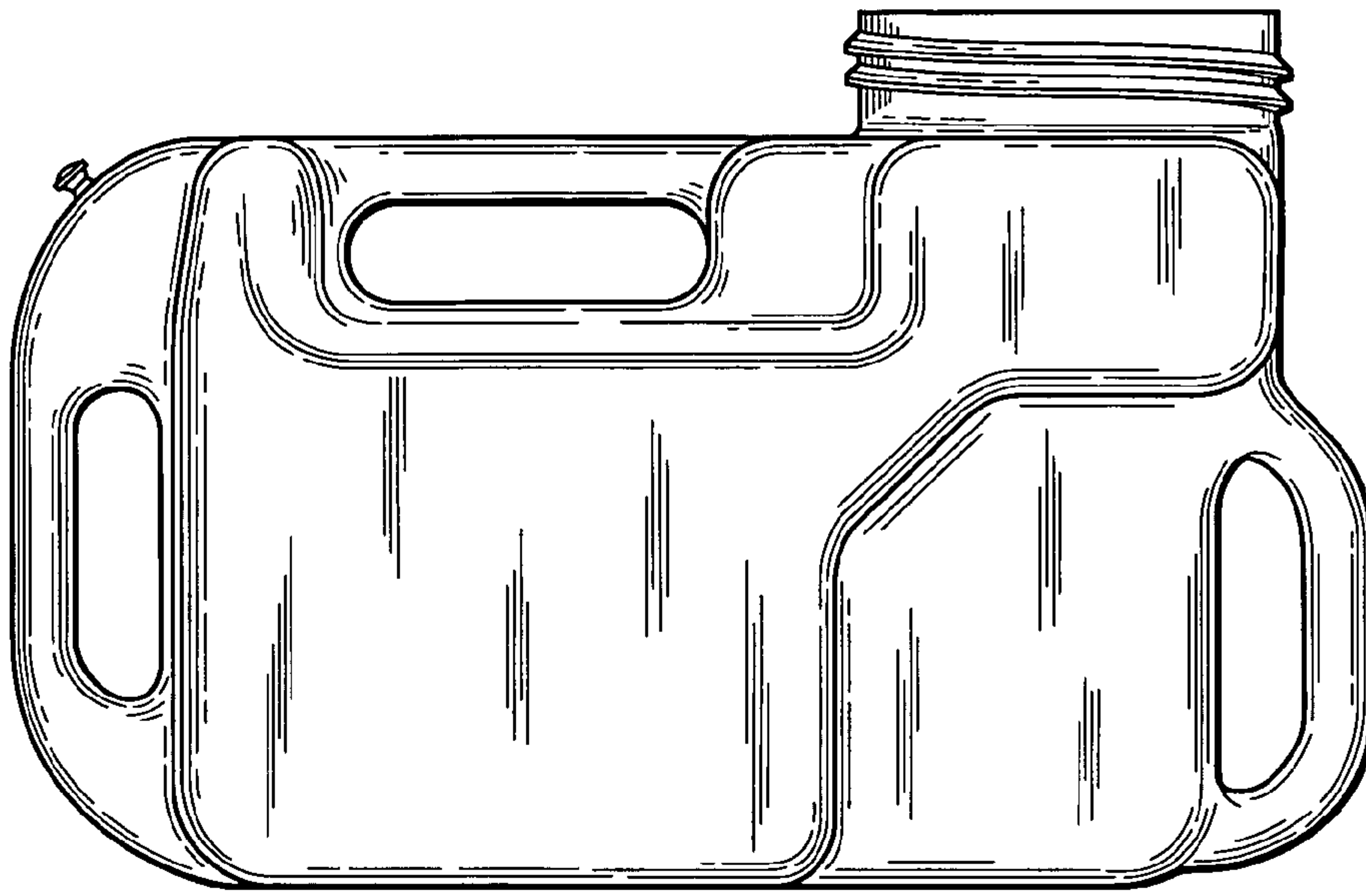


Fig. 3

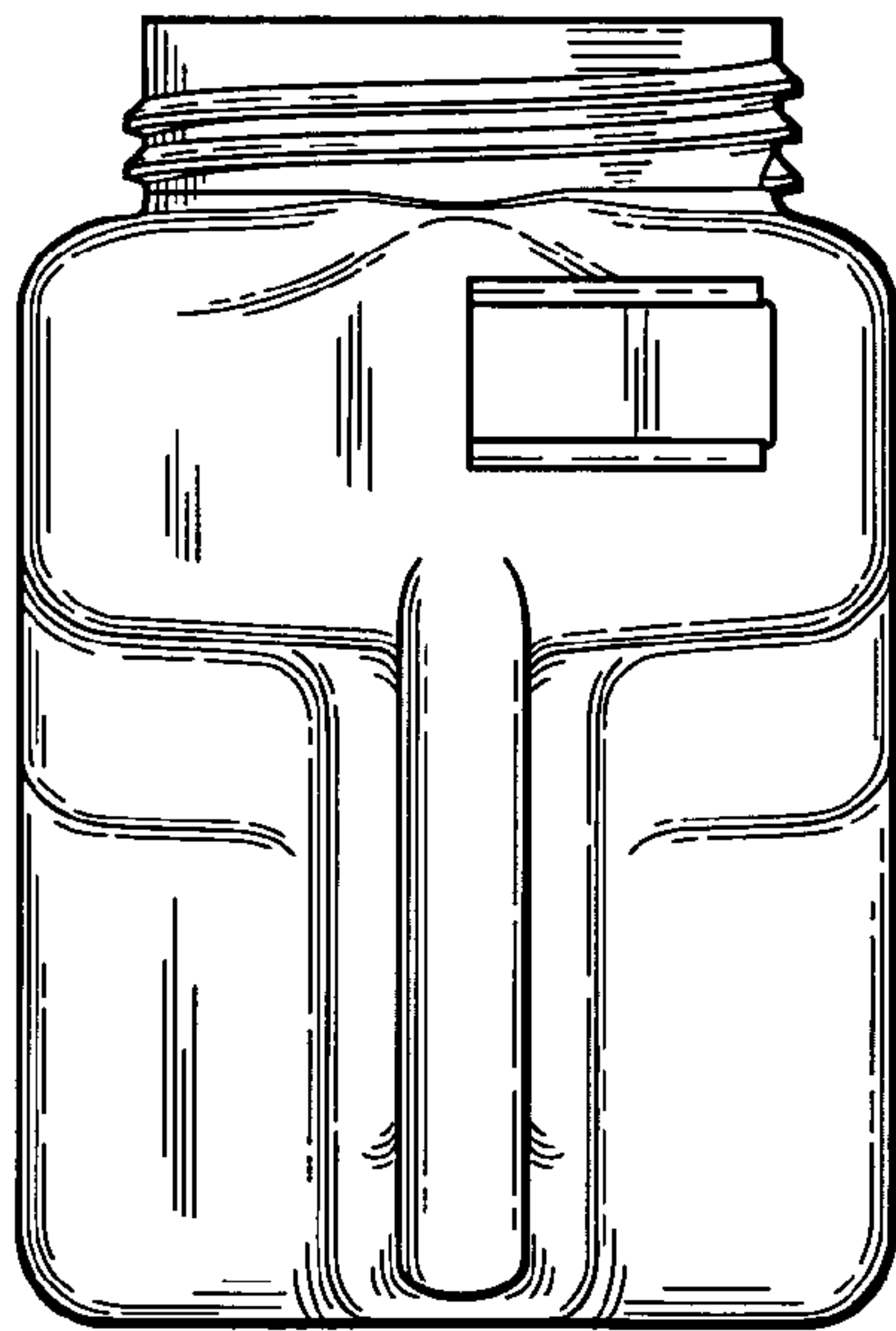


Fig. 4

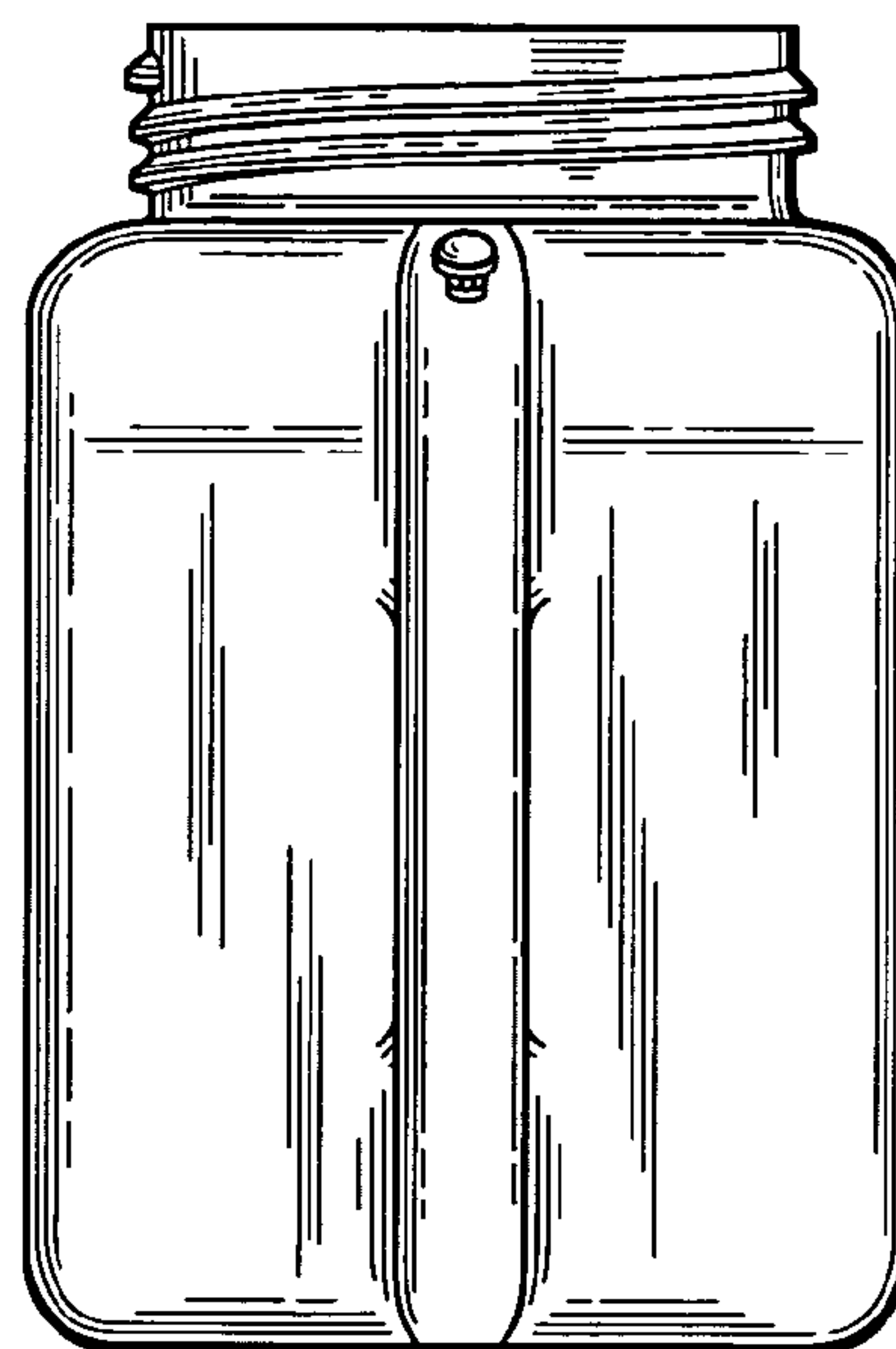


Fig. 5

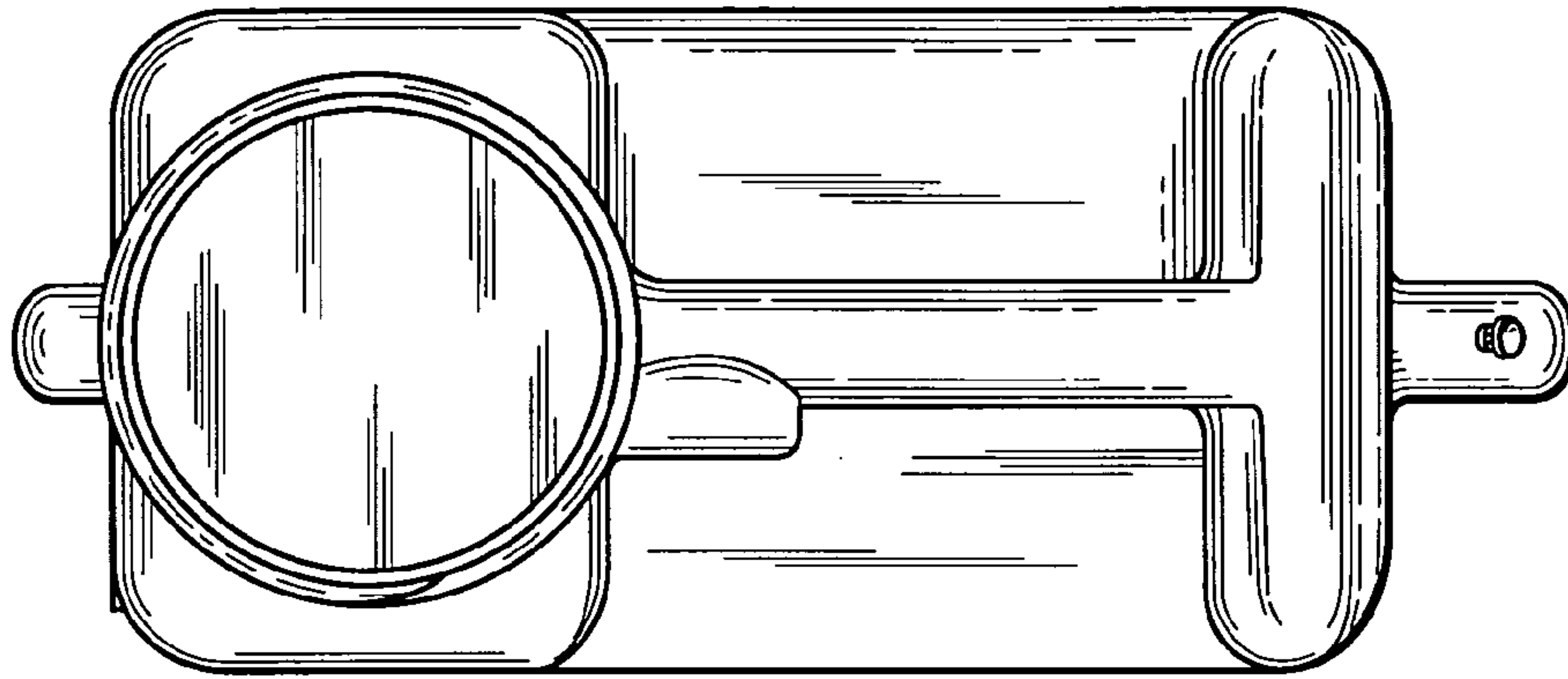


Fig. 6

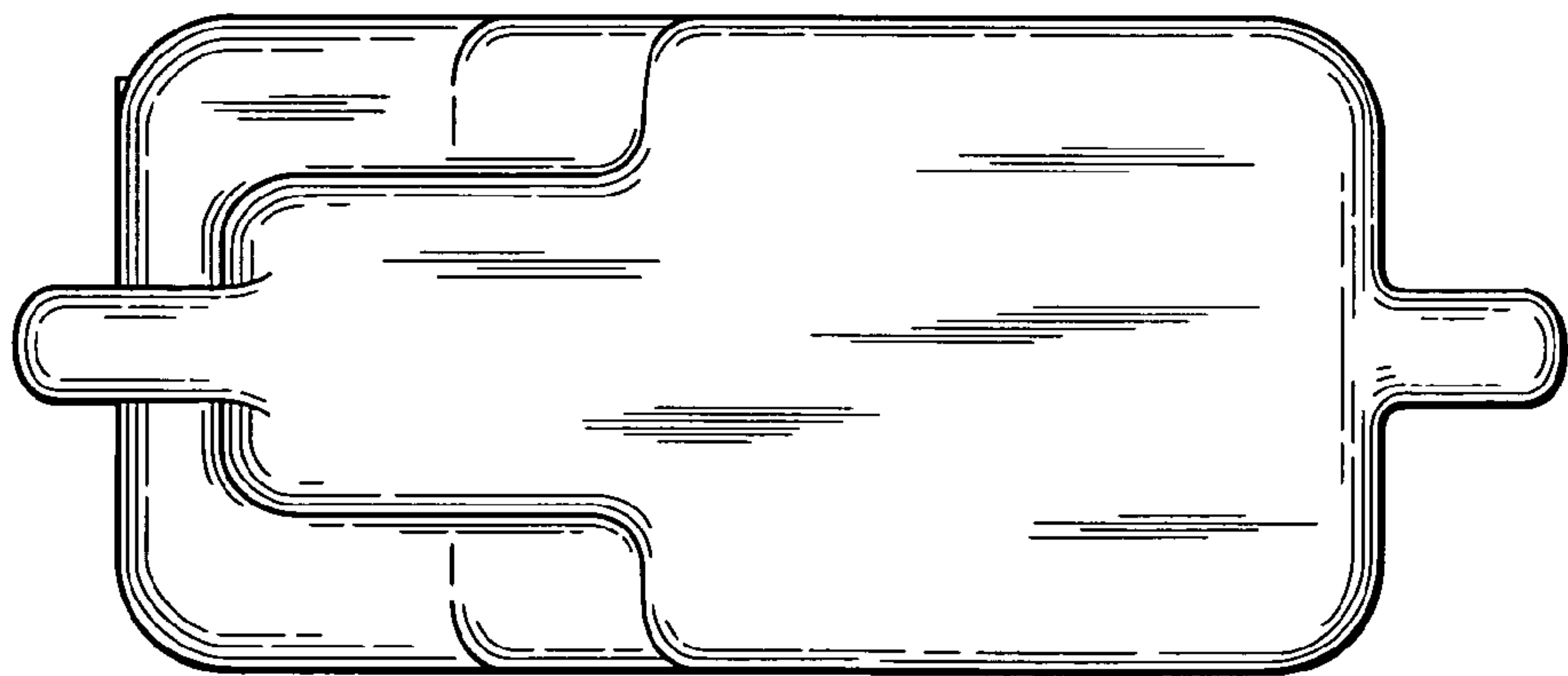


Fig. 7