



US00D589806S

(12) **United States Design Patent**  
**Snyder**

(10) **Patent No.:** **US D589,806 S**

(45) **Date of Patent:** **\*\* Apr. 7, 2009**

(54) **OVAL BOTTLE**

(75) Inventor: **David A. Snyder**, West Chicago, IL (US)

(73) Assignee: **Kranson Industries, Inc.**, Clarendon Hills, IL (US)

(\*\*) Term: **14 Years**

(21) Appl. No.: **29/327,407**

(22) Filed: **Nov. 5, 2008**

**Related U.S. Application Data**

(62) Division of application No. 29/265,160, filed on Aug. 24, 2006.

(51) **LOC (9) Cl.** ..... **09-01**

(52) **U.S. Cl.** ..... **D9/523; D9/550; D9/552;**  
D9/571; D9/575

(58) **Field of Classification Search** ..... D9/685,  
D9/516, 522, 523, 530, 542-543, 549, 550,  
D9/552, 563, 565, 571, 574-575; 215/382-384,  
215/396, 398

See application file for complete search history.

(56) **References Cited**

**U.S. PATENT DOCUMENTS**

D117,295 S *	10/1939	Smith	.....	D9/523
D194,071 S *	11/1962	Anderson et al.	.....	D9/523
D233,414 S *	10/1974	Avolio	.....	D9/549 X
D277,363 S *	1/1985	Drummond et al.	.....	D9/522
D295,373 S *	4/1988	Saunders	.....	D9/523 X
D301,306 S *	5/1989	Beaver	.....	D9/523
D320,345 S *	10/1991	Hamly et al.	.....	D9/523
5,115,946 A *	5/1992	Libit	.....	222/212 X
D356,036 S *	3/1995	Hoyt	.....	D9/575 X

D383,391 S *	9/1997	Beaver	.....	D9/543 X
D387,669 S *	12/1997	Beaver	.....	D9/523
D388,708 S *	1/1998	Monaghan	.....	D9/523
D446,726 S *	8/2001	Hall et al.	.....	D9/522
D454,308 S *	3/2002	Scheida	.....	D9/523
D501,637 S *	2/2005	Miller et al.	.....	D9/563
D510,870 S *	10/2005	Kelly et al.	.....	D9/523
D514,941 S *	2/2006	Darr et al.	.....	D9/523 X
D543,852 S *	6/2007	Warren	.....	D9/563 X
D571,216 S *	6/2008	Christian et al.	.....	D9/523

\* cited by examiner

*Primary Examiner*—Carol Rademaker

(74) *Attorney, Agent, or Firm*—H. Frederick Rusche; Husch Blackwell Sanders LLP

(57) **CLAIM**

I claim the ornamental design for an oval bottle, as shown and described.

**DESCRIPTION**

FIG. 1 is a perspective view of a bottle showing my new design;

FIG. 2 is a front view thereof;

FIG. 3 is a rear view thereof;

FIG. 4 is a left side view thereof;

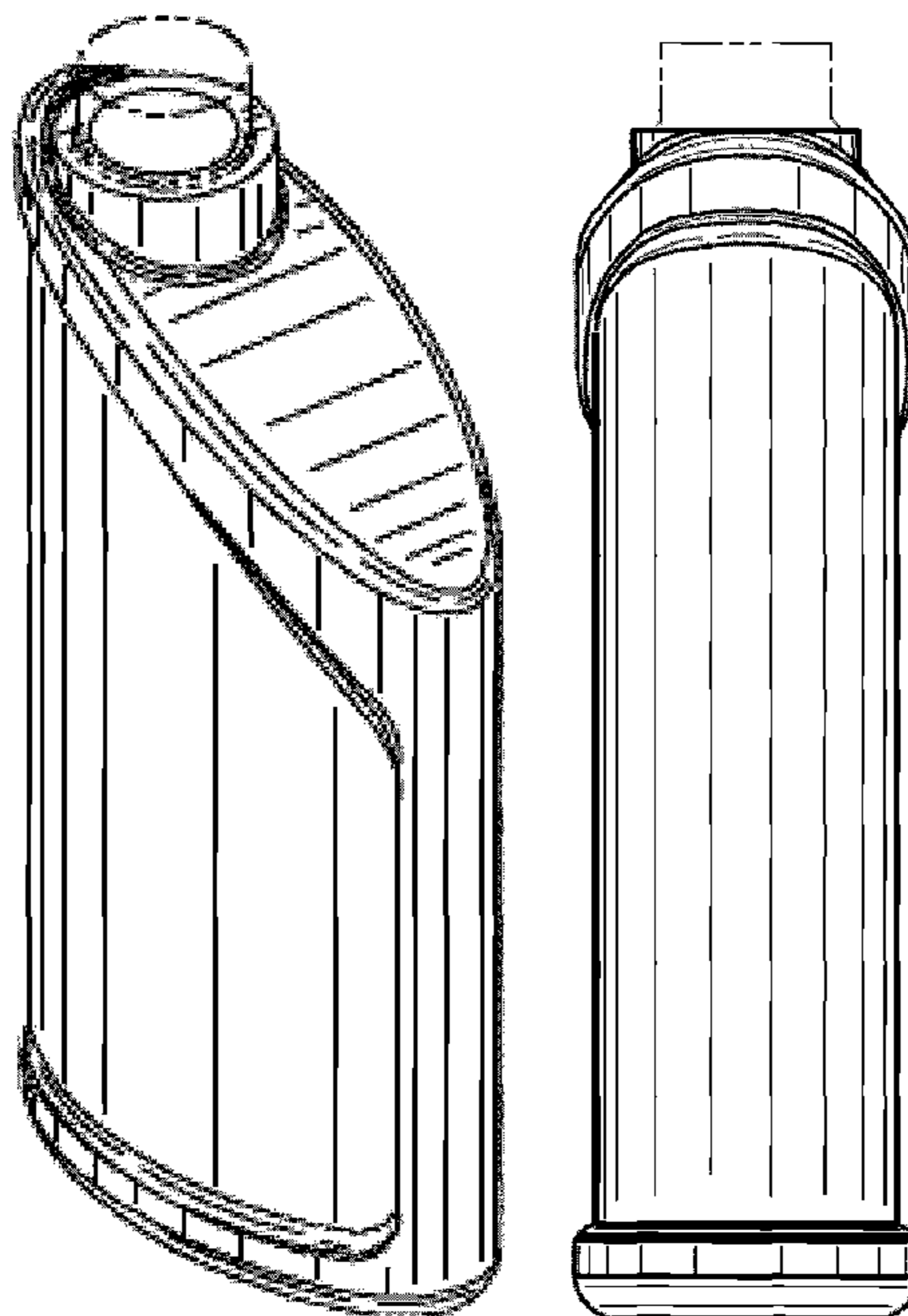
FIG. 5 is a right side view thereof;

FIG. 6 is a top view thereof; and,

FIG. 7 is a bottom view thereof.

The portion of the pour spout shown in broken lines in the drawing views is included for the purpose of showing environmental structure that forms no part of the claimed design.

**1 Claim, 3 Drawing Sheets**



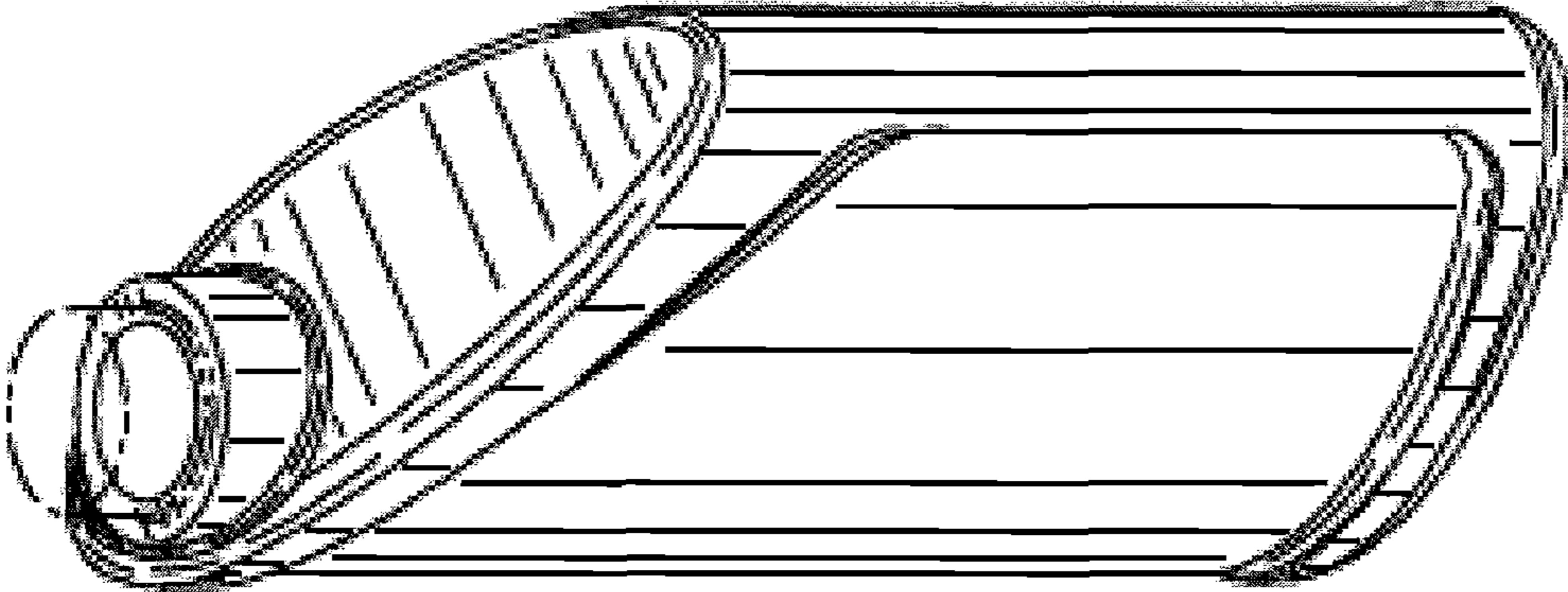


FIG. 1

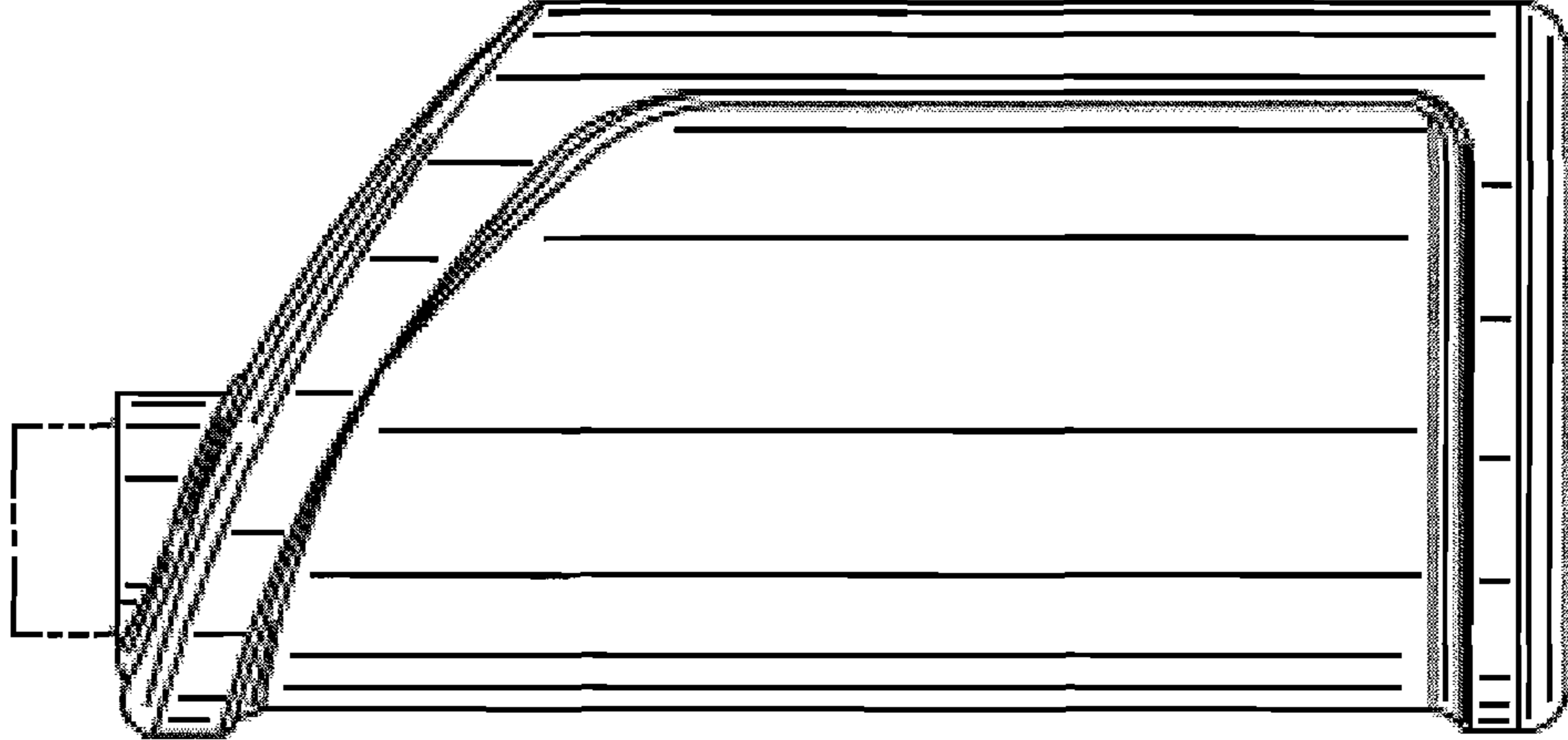


FIG. 2

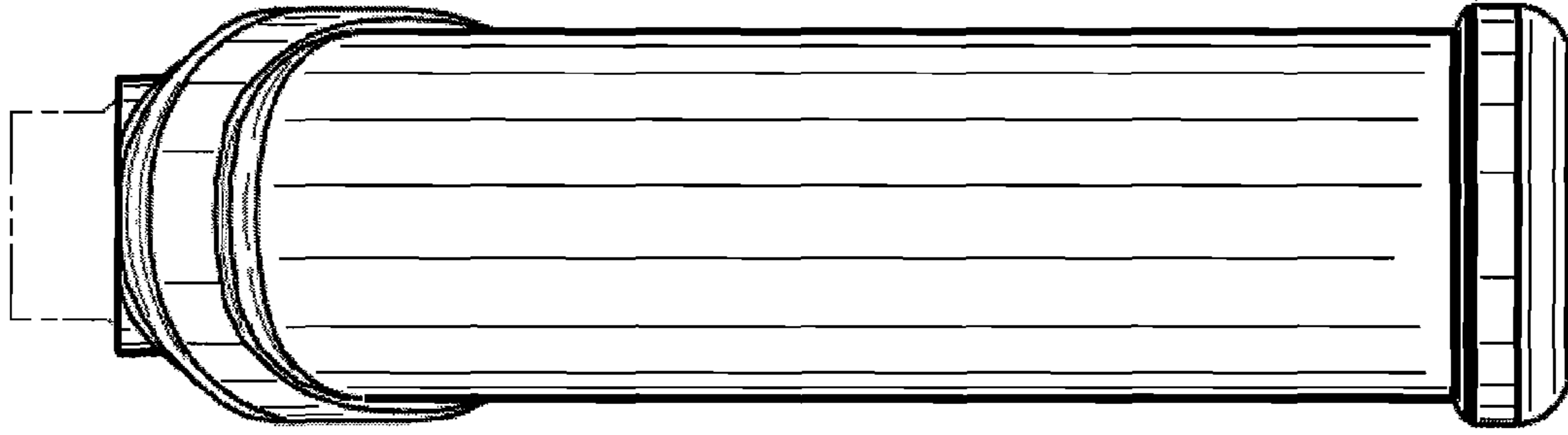


FIG. 4

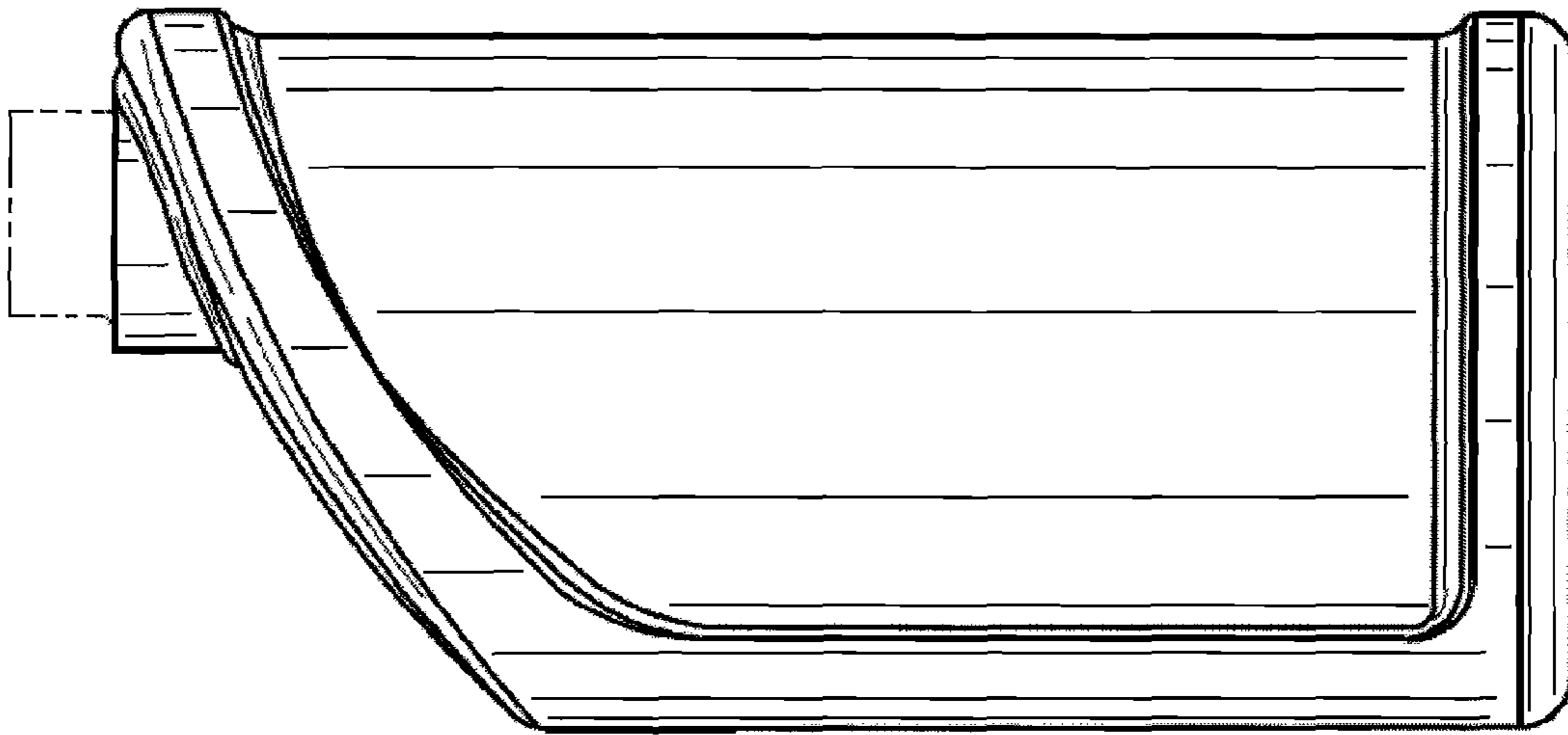


FIG. 3

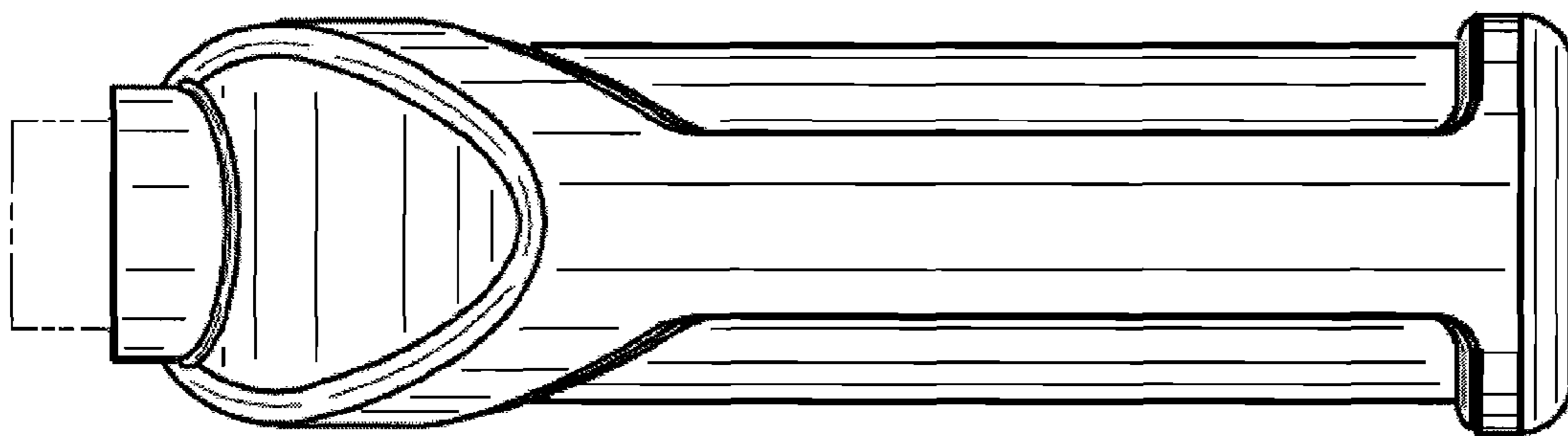


FIG. 5

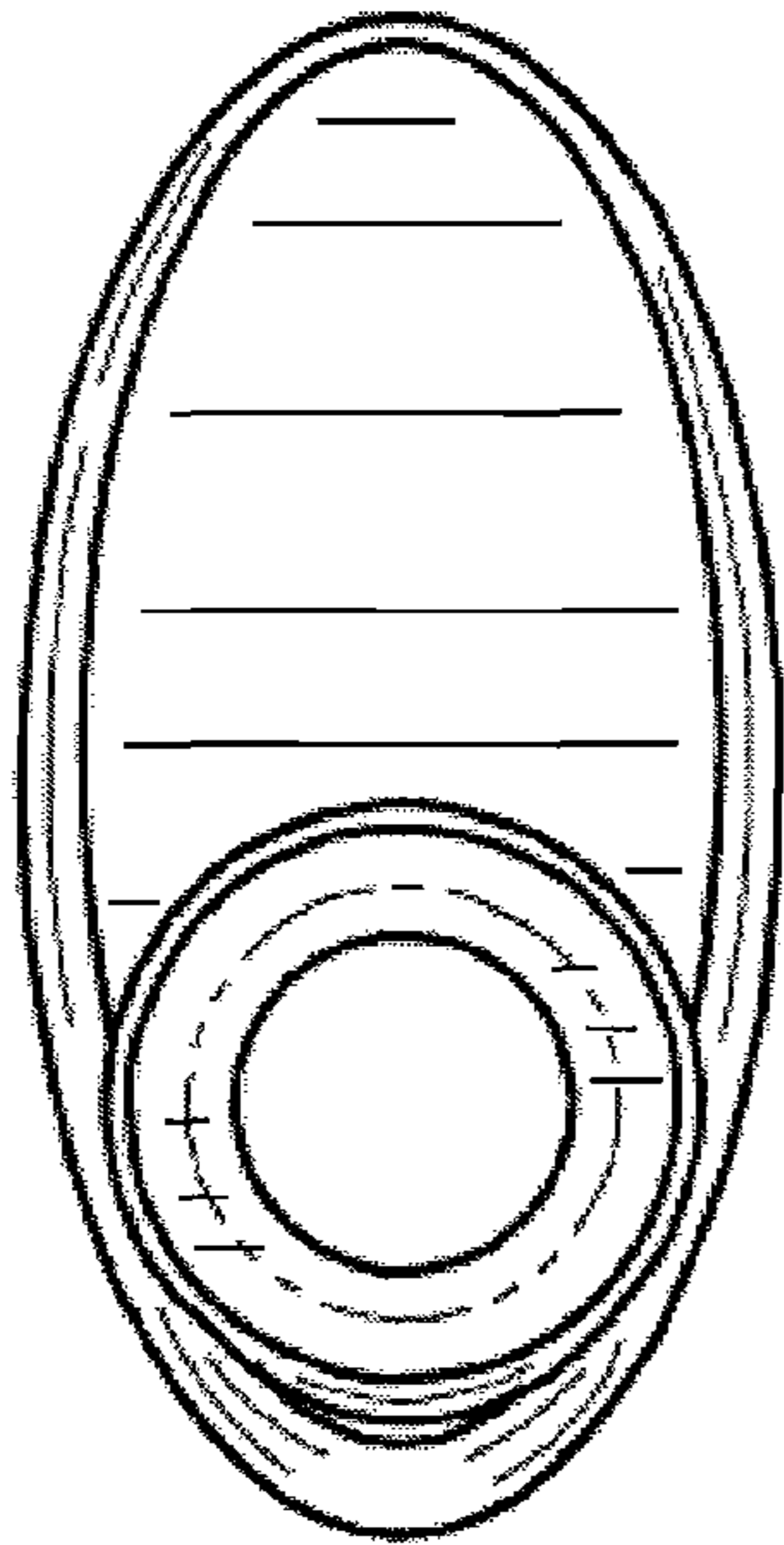


FIG. 6

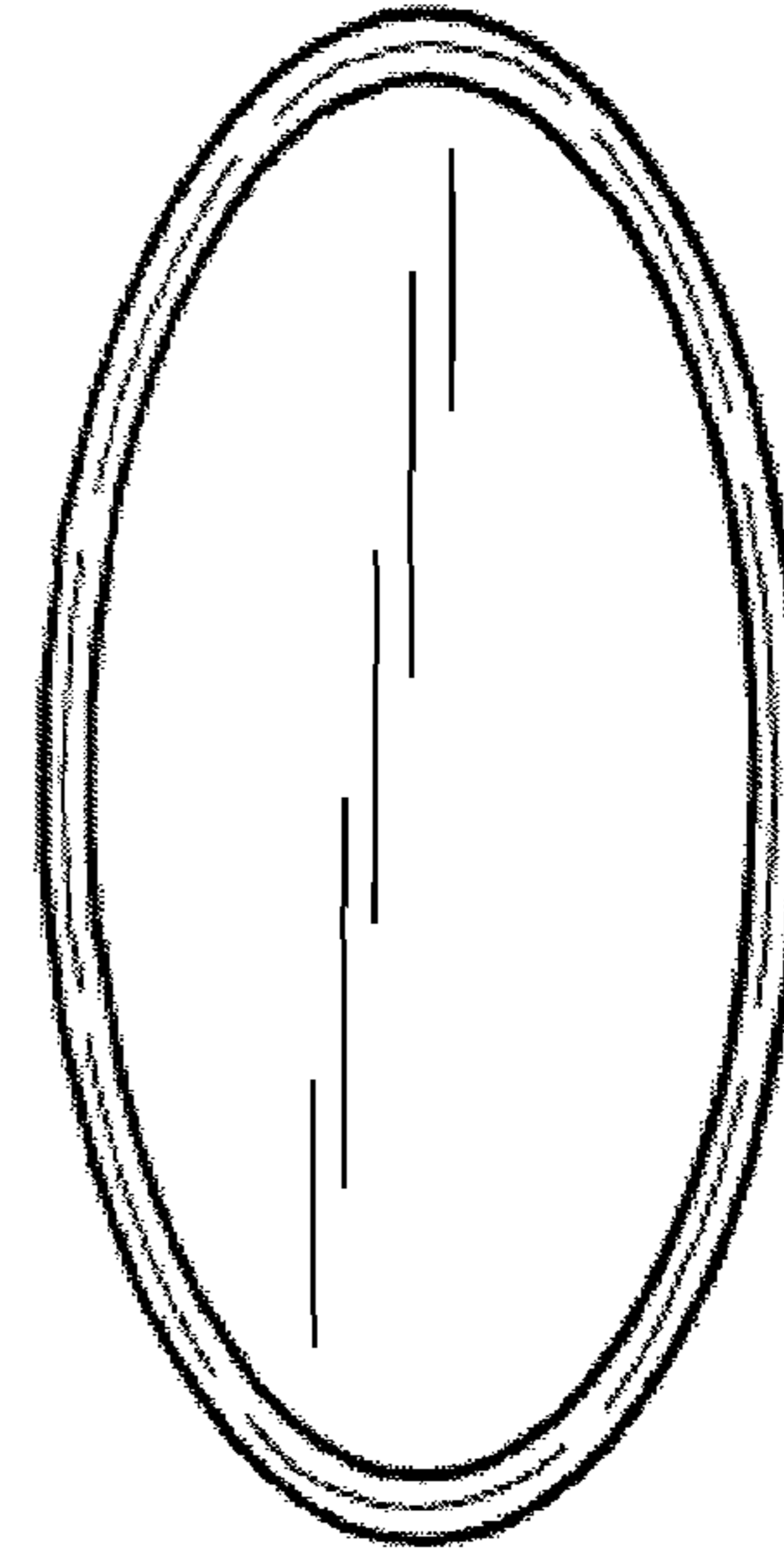


FIG. 7