



US00D589804S

(12) **United States Design Patent**  
**Lovelace, Jr. et al.**

(10) **Patent No.:** **US D589,804 S**  
(45) **Date of Patent:** **\*\* Apr. 7, 2009**

(54) **CONTAINER BODY PORTION**

(75) Inventors: **Richard A. Lovelace, Jr.**, Munroe Falls, OH (US); **James Miller**, Barberton, OH (US)

(73) Assignee: **Plastipak Packaging, Inc.**, Plymouth, MI (US)

(\*\*) Term: **14 Years**

(21) Appl. No.: **29/322,896**

(22) Filed: **Aug. 14, 2008**

(51) **LOC (9) Cl.** ..... **09-01**

(52) **U.S. Cl.** ..... **D9/516; 569/570**

(58) **Field of Classification Search** ..... D9/516,  
D9/522, 529, 530, 537, 539, 540, 549, 551,  
D9/552, 554, 555, 556, 557, 558, 564, 565,  
D9/567, 569, 570, 574, 575; 215/381-385  
See application file for complete search history.

(56) **References Cited**

**U.S. PATENT DOCUMENTS**

- D423,940 S \* 5/2000 Chimetto ..... D9/541
- D480,650 S 10/2003 Moore et al.
- D484,809 S \* 1/2004 Pascuzzo ..... D9/552
- D503,341 S \* 3/2005 Delmotte ..... D9/538
- D504,069 S \* 4/2005 Gross et al. .... D9/538
- D509,436 S \* 9/2005 Mero et al. .... D9/538
- D509,746 S \* 9/2005 Mero et al. .... D9/538
- D510,271 S \* 10/2005 Mero et al. .... D9/538
- D517,417 S 3/2006 Livingston et al.
- D544,360 S \* 6/2007 Archeny et al. .... D9/541
- D556,046 S 11/2007 Lockman et al.
- D558,581 S 1/2008 Lockman et al.
- D559,694 S \* 1/2008 Le Bras-Brown et al. .... D9/538
- D559,695 S \* 1/2008 Lesueur ..... D9/538

- D560,502 S 1/2008 Darr et al.
- D560,507 S \* 1/2008 Lepoitevin ..... D9/645
- D561,042 S 2/2008 Darr et al.
- D565,418 S 4/2008 Darr et al.
- D565,419 S 4/2008 Darr et al.
- D566,571 S 4/2008 Darr et al.
- D566,572 S 4/2008 Darr et al.
- D569,259 S 5/2008 Darr et al.
- D572,143 S \* 7/2008 Laupie ..... D9/620
- D579,337 S \* 10/2008 Druart et al. .... D9/538
- D581,799 S \* 12/2008 Bourne ..... D9/538
- D582,780 S \* 12/2008 Bourne ..... D9/538

\* cited by examiner

*Primary Examiner*—Stella M Reid

*Assistant Examiner*—Elizabeth J Oswecki

(74) *Attorney, Agent, or Firm*—Dykema Gossett PLLC

(57) **CLAIM**

The ornamental design for a container body portion, as shown and described.

**DESCRIPTION**

FIG. 1 is a perspective top-front-right side view of a container body portion showing our new design;

FIG. 2 is front elevation view thereof;

FIG. 3 is rear view thereof;

FIG. 4 is a right side view thereof;

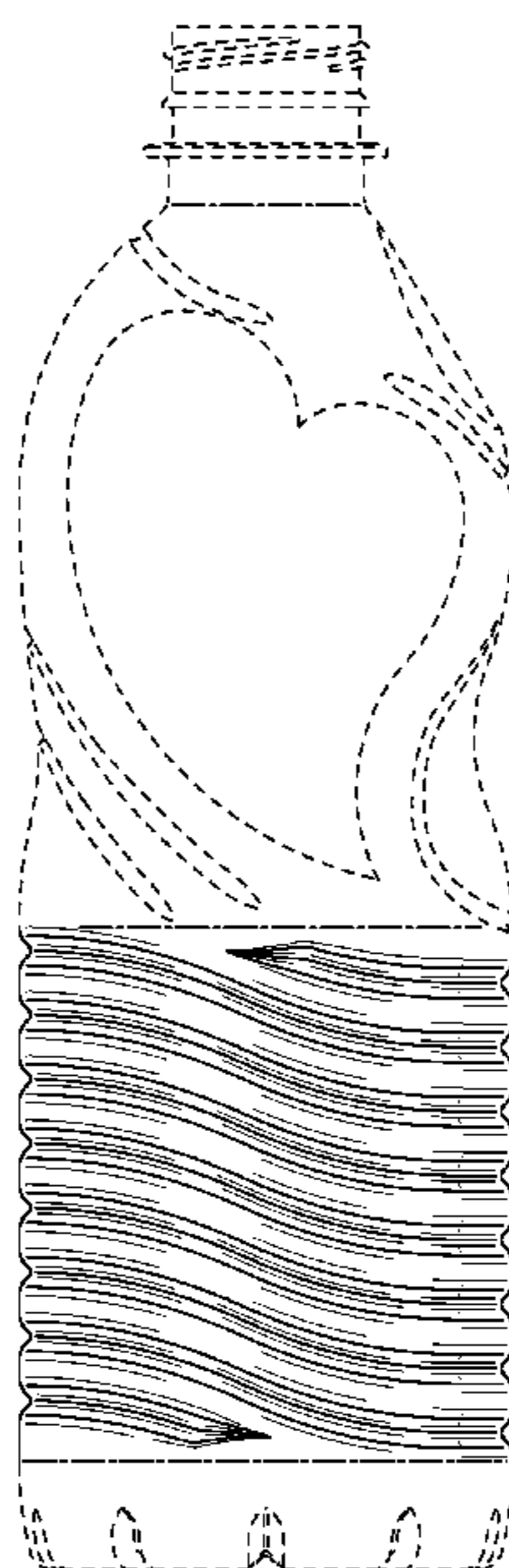
FIG. 5 is a left side view thereof;

FIG. 6 is a top plan view thereof; and,

FIG. 7 is a bottom view thereof.

The broken lines shown in the drawings are for illustrative purposes only and do not form a part of the claimed design.

**1 Claim, 6 Drawing Sheets**



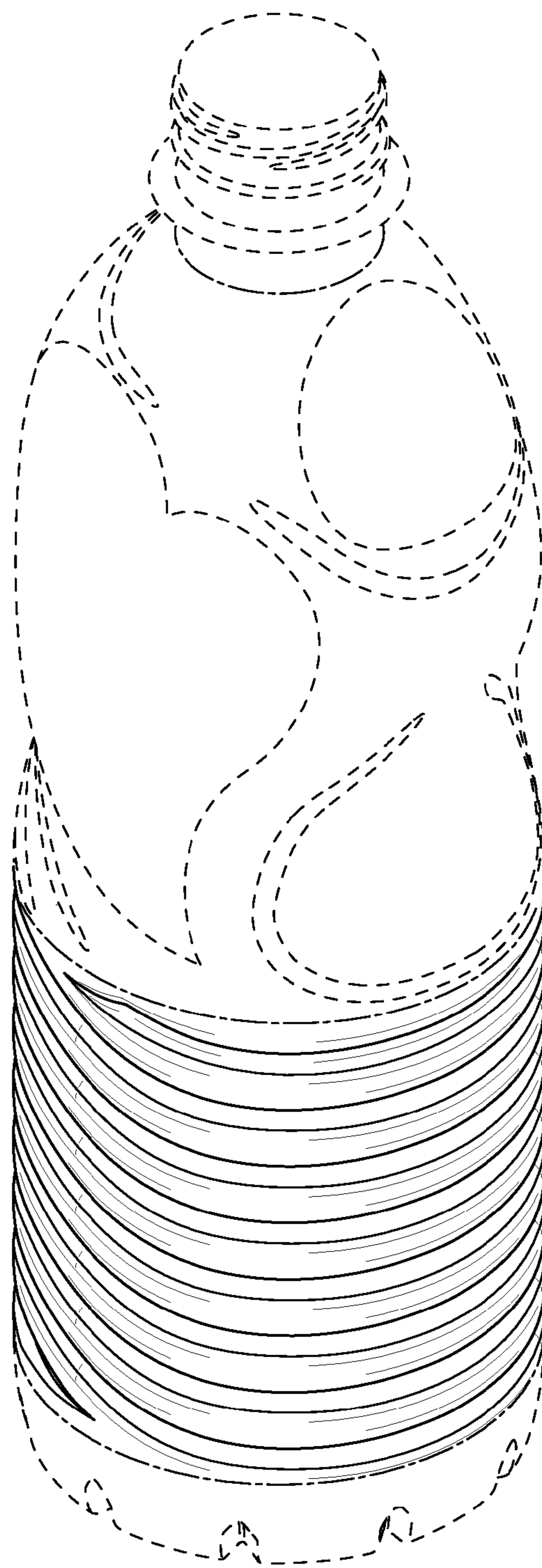


FIG. 1

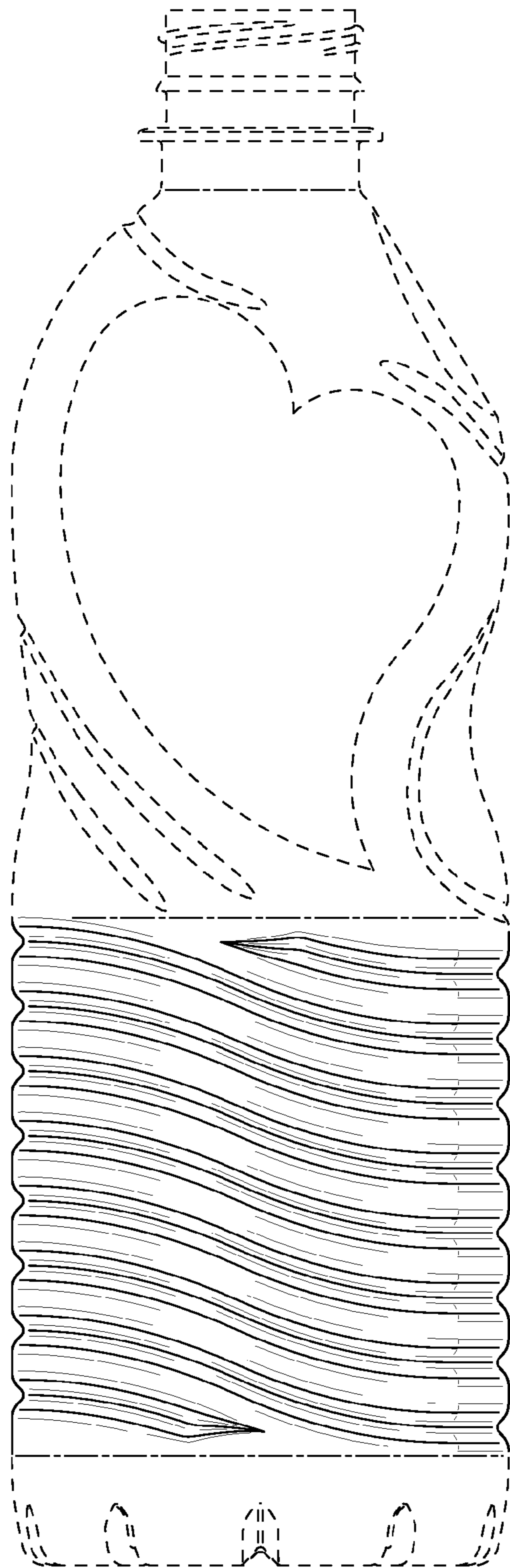


FIG. 2

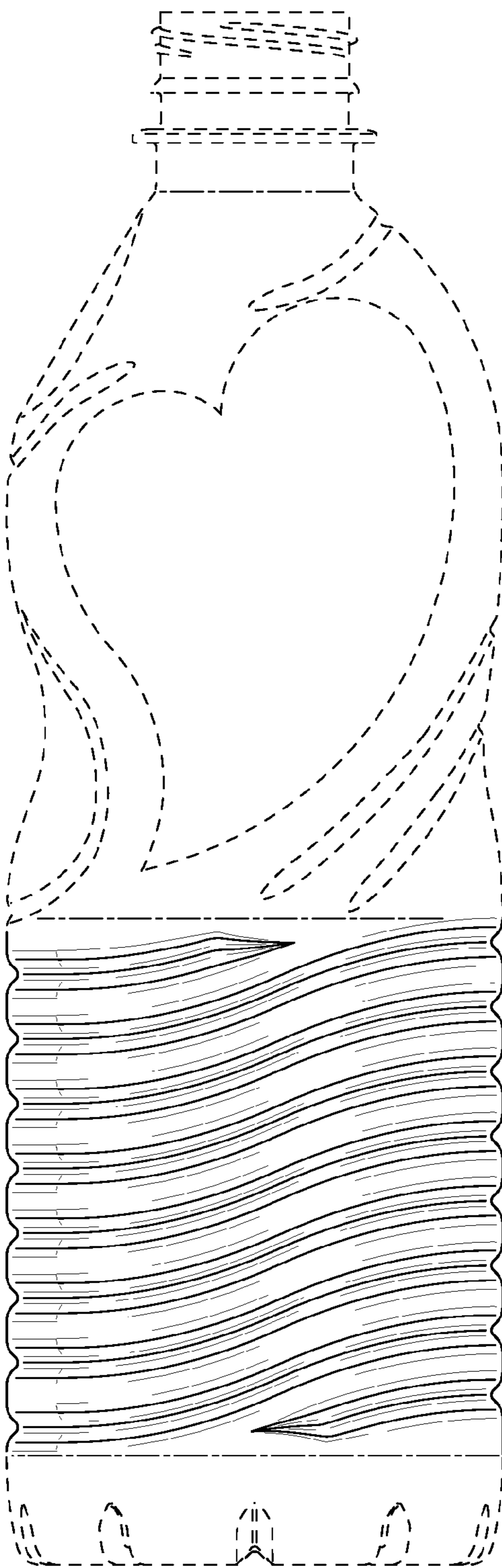


FIG. 3



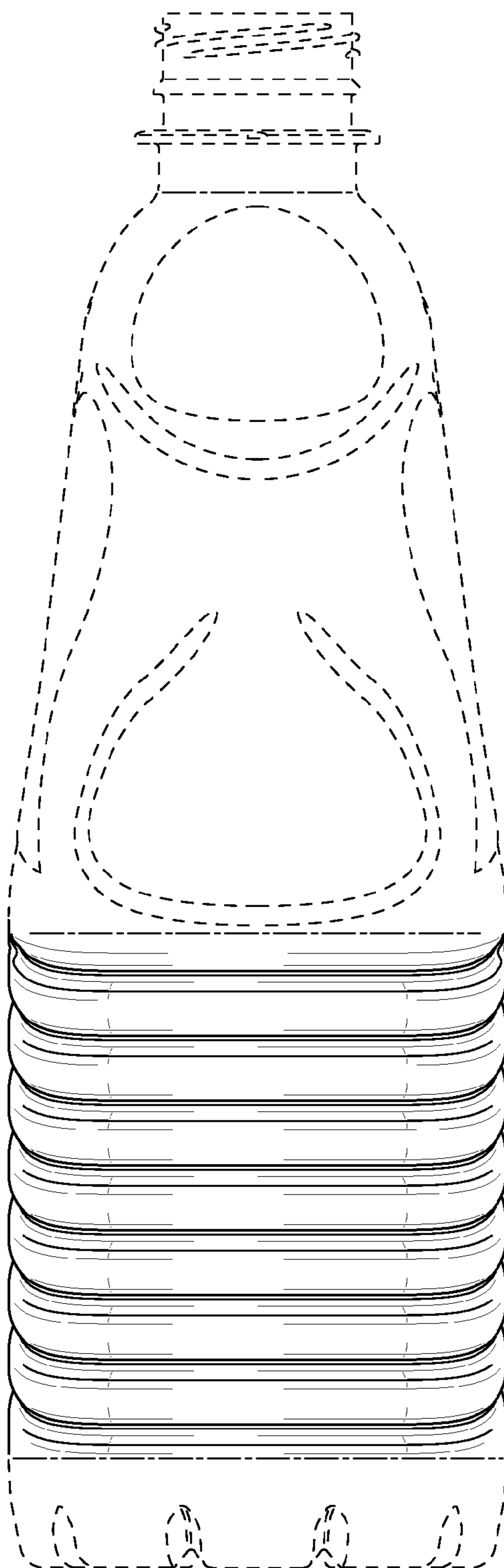


FIG. 4

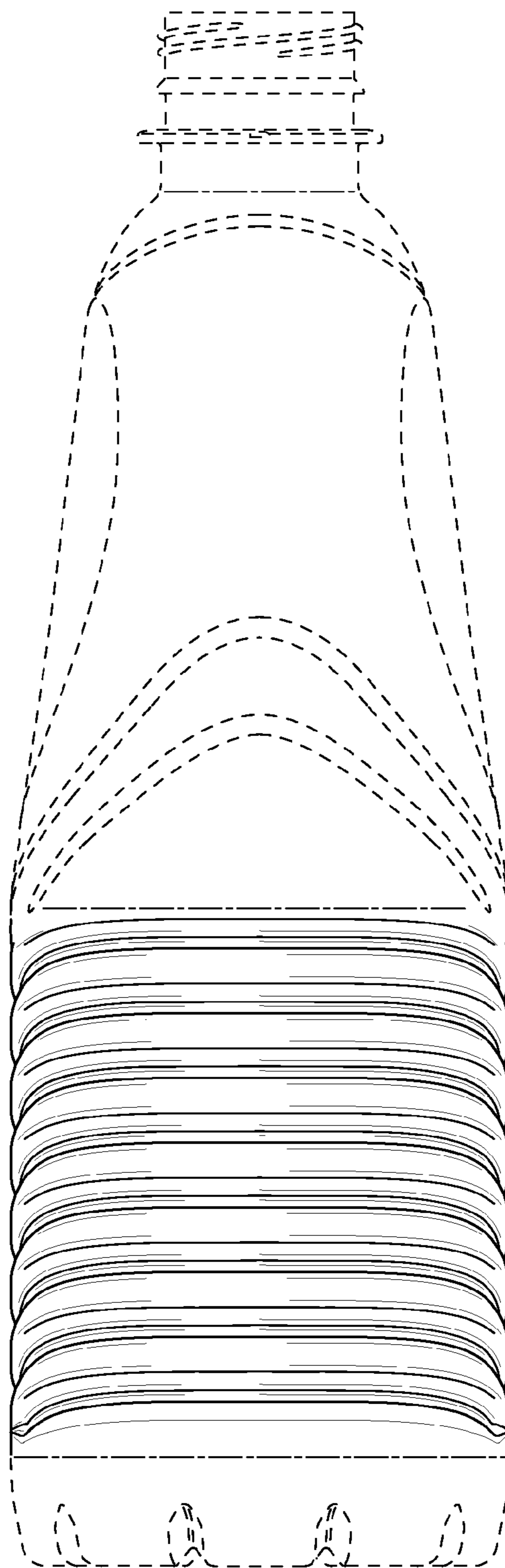
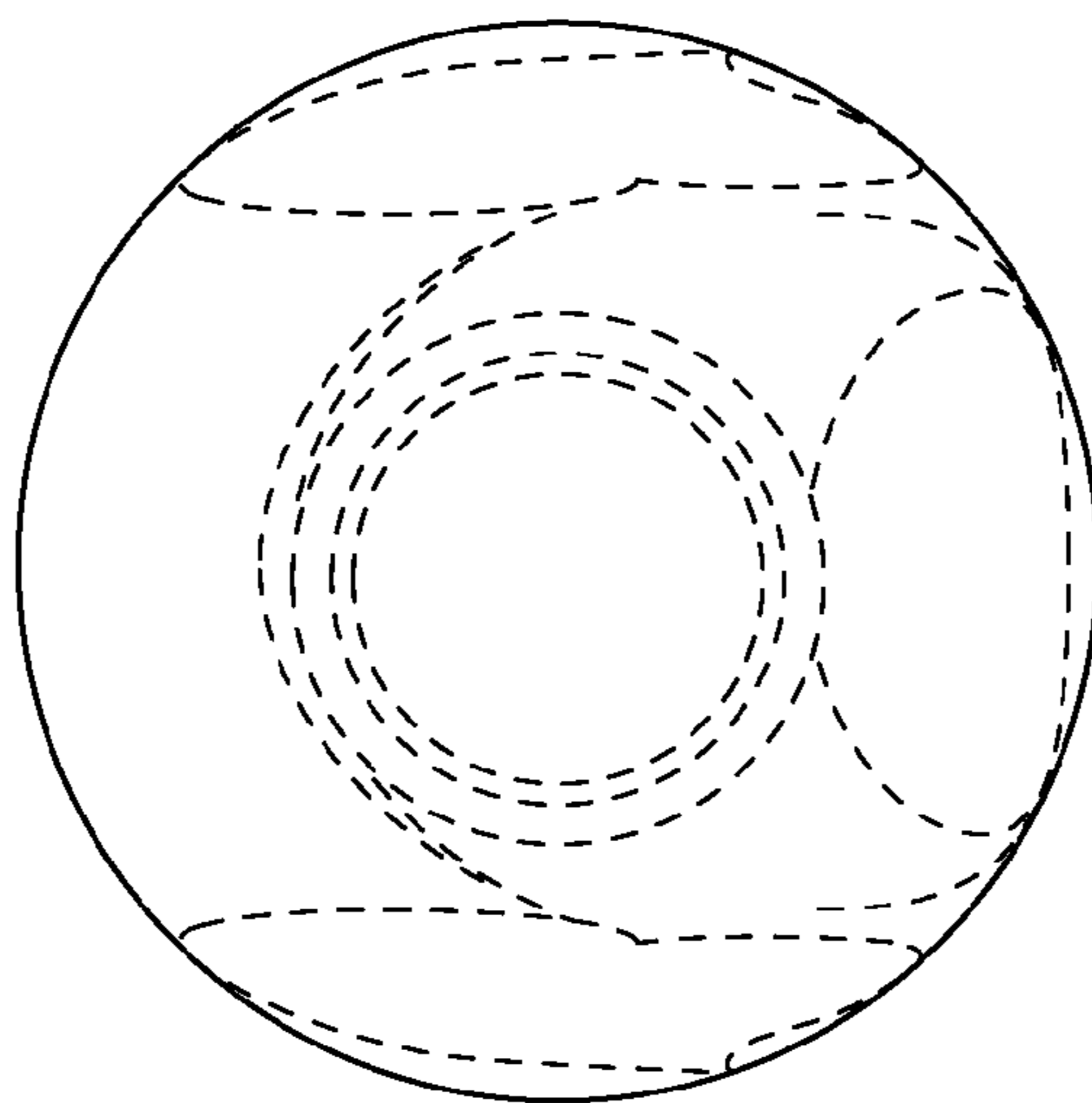
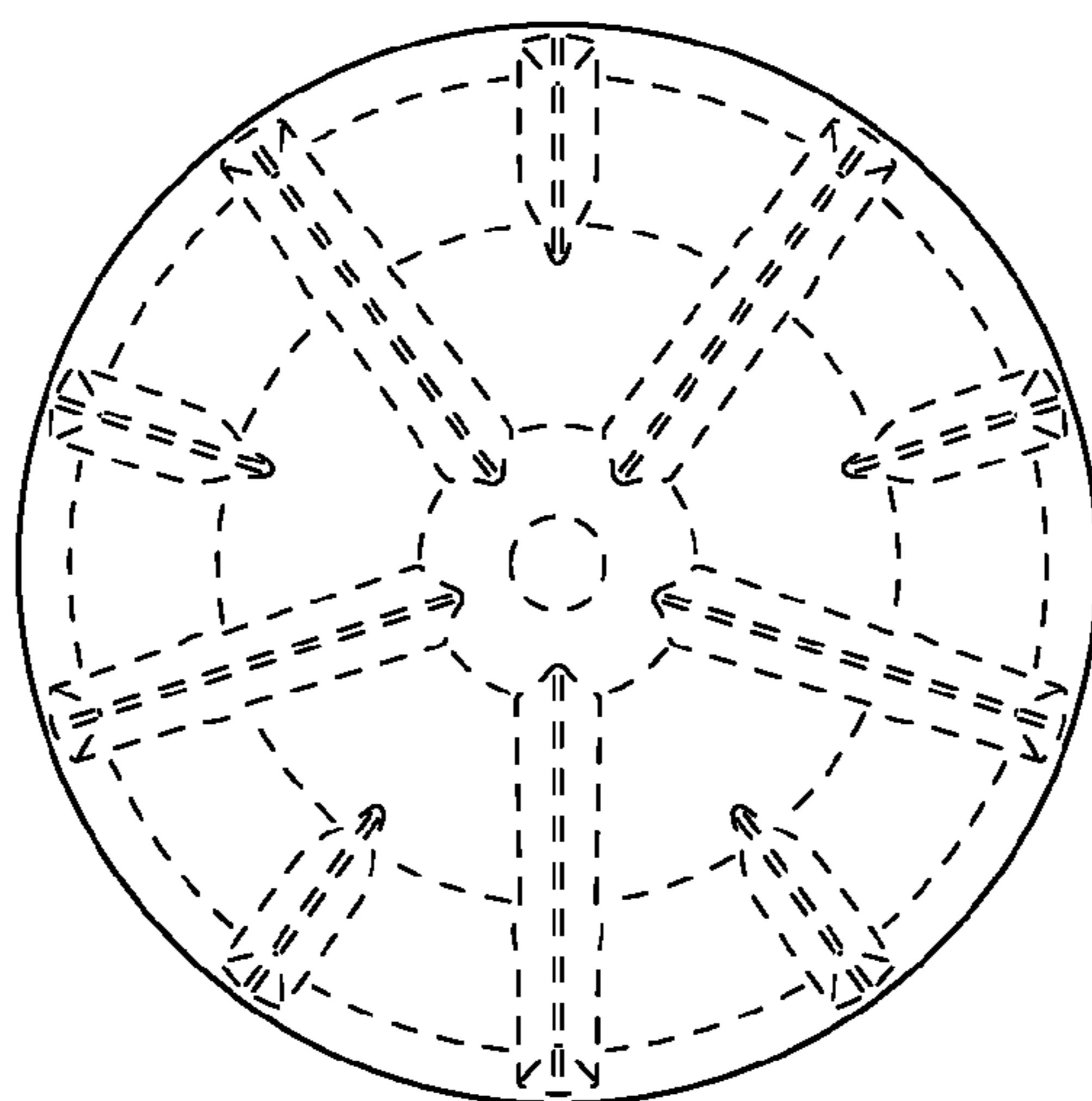


FIG. 5



**FIG. 6**



**FIG. 7**