



US00D589803S

(12) **United States Design Patent**  
**Sasaki et al.**

(10) **Patent No.:** **US D589,803 S**  
(45) **Date of Patent:** **\*\* Apr. 7, 2009**

(54) **PACKAGING BOTTLE**

(75) Inventors: **Masaaki Sasaki**, Tokyo (JP); **Keiji Shimamoto**, Tokyo (JP)

(73) Assignee: **Yoshino Kogyosho Co., Ltd.**, Tokyo (JP)

(\*\*) Term: **14 Years**

(21) Appl. No.: **29/300,177**

(22) Filed: **Feb. 28, 2008**

(30) **Foreign Application Priority Data**

Aug. 31, 2007 (JP) ..... 2007-023699

(51) **LOC (9) Cl.** ..... **09-01**

(52) **U.S. Cl.** ..... **D9/516; D9/530; D9/542; D9/569; D9/570**

(58) **Field of Classification Search** ..... D9/516, D9/520, 522, 529, 530, 531, 535, 538, 539, D9/540, 541, 542, 543, 547, 548, 549, 551, D9/553, 556, 557, 558, 559, 560, 564, 566, D9/569, 570, 571, 574, 575, 737, 738, 743, D9/745, 523, 526, 537; 215/381–385, 396, 215/398

See application file for complete search history.

(56) **References Cited**

**U.S. PATENT DOCUMENTS**

D240,968 S *	8/1976	Hurst	.....	D24/197
D294,120 S *	2/1988	Griesing et al.	.....	D9/520
D320,154 S *	9/1991	Alberghini et al.	.....	D9/520
D398,539 S *	9/1998	Guislain	.....	D9/564
D411,803 S *	7/1999	Guertin	.....	D9/520
D412,119 S *	7/1999	Guertin	.....	D9/520
D421,721 S *	3/2000	Guertin	.....	D9/520
D451,033 S *	11/2001	Iizuka et al.	.....	D9/569
D459,234 S *	6/2002	Bourque et al.	.....	D9/543
6,575,321 B2 *	6/2003	Bourque et al.	.....	215/384
D525,527 S *	7/2006	Ogg	.....	D9/516
D525,528 S *	7/2006	Lane et al.	.....	D9/516
D533,071 S *	12/2006	Forget	.....	D9/564
D533,786 S *	12/2006	Ogg et al.	.....	D9/563
D536,258 S *	2/2007	Ogg et al.	.....	D9/564
D561,038 S *	2/2008	Yourist et al.	.....	D9/541
D562,146 S *	2/2008	Zboch et al.	.....	D9/564

D564,890 S *	3/2008	Coley et al.	.....	D9/541
D568,167 S *	5/2008	Sasaki et al.	.....	D9/560
D568,169 S *	5/2008	Sasaki et al.	.....	D9/570
2004/0129669 A1 *	7/2004	Kelley et al.	.....	215/382
2004/0164046 A1 *	8/2004	Kelley	.....	215/382
2006/0151425 A1 *	7/2006	Kelley et al.	.....	215/381
2007/0045222 A1 *	3/2007	Denner et al.	.....	215/382
2008/0000867 A1 *	1/2008	Lane et al.	.....	215/10

\* cited by examiner

*Primary Examiner*—Stella M Reid

*Assistant Examiner*—Elizabeth J Oswecki

(74) *Attorney, Agent, or Firm*—Oliff & Berridge PLC

(57) **CLAIM**

The ornamental design for a packaging bottle, as shown and described.

**DESCRIPTION**

FIG. 1 is a front view of a packaging bottle showing our new design;

FIG. 2 is a top view thereof;

FIG. 3 is a rear view thereof;

FIG. 4 is a bottom view thereof;

FIG. 5 is a left-side view thereof;

FIG. 6 is a right-side view thereof;

FIG. 7 is a cross-sectional view thereof taken along line 7—7 of FIG. 2;

FIG. 8 is a cross-sectional view thereof taken along line 8—8 of FIG. 2;

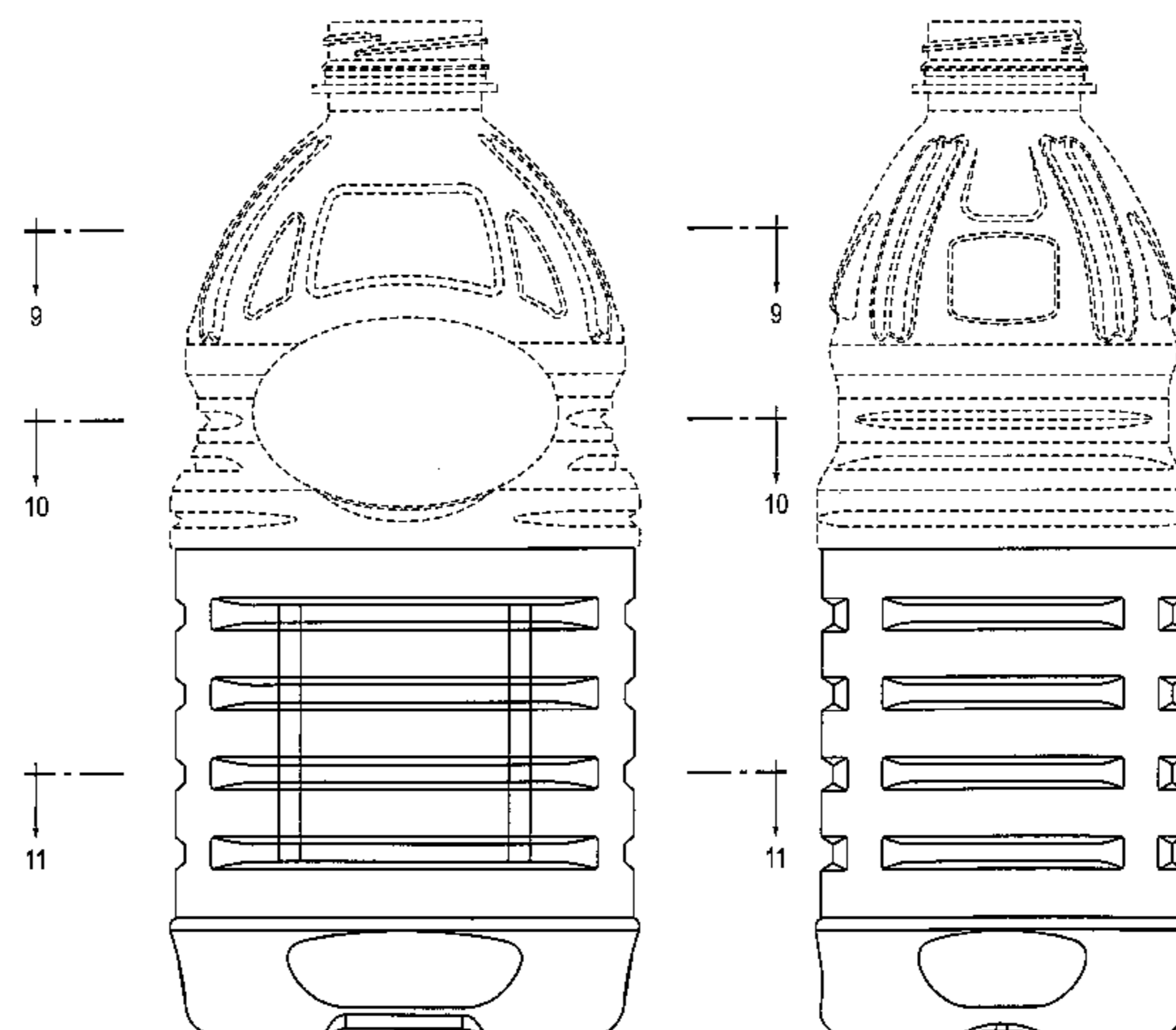
FIG. 9 is a cross-sectional view thereof taken along line 9—9 of FIG. 1;

FIG. 10 is a cross-sectional view thereof taken along line 10—10 of FIG. 1; and,

FIG. 11 is a cross-sectional view thereof taken along line 11—11 of FIG. 1.

The broken lines depict environmental subject matter only and form no part of the claimed design.

**1 Claim, 9 Drawing Sheets**



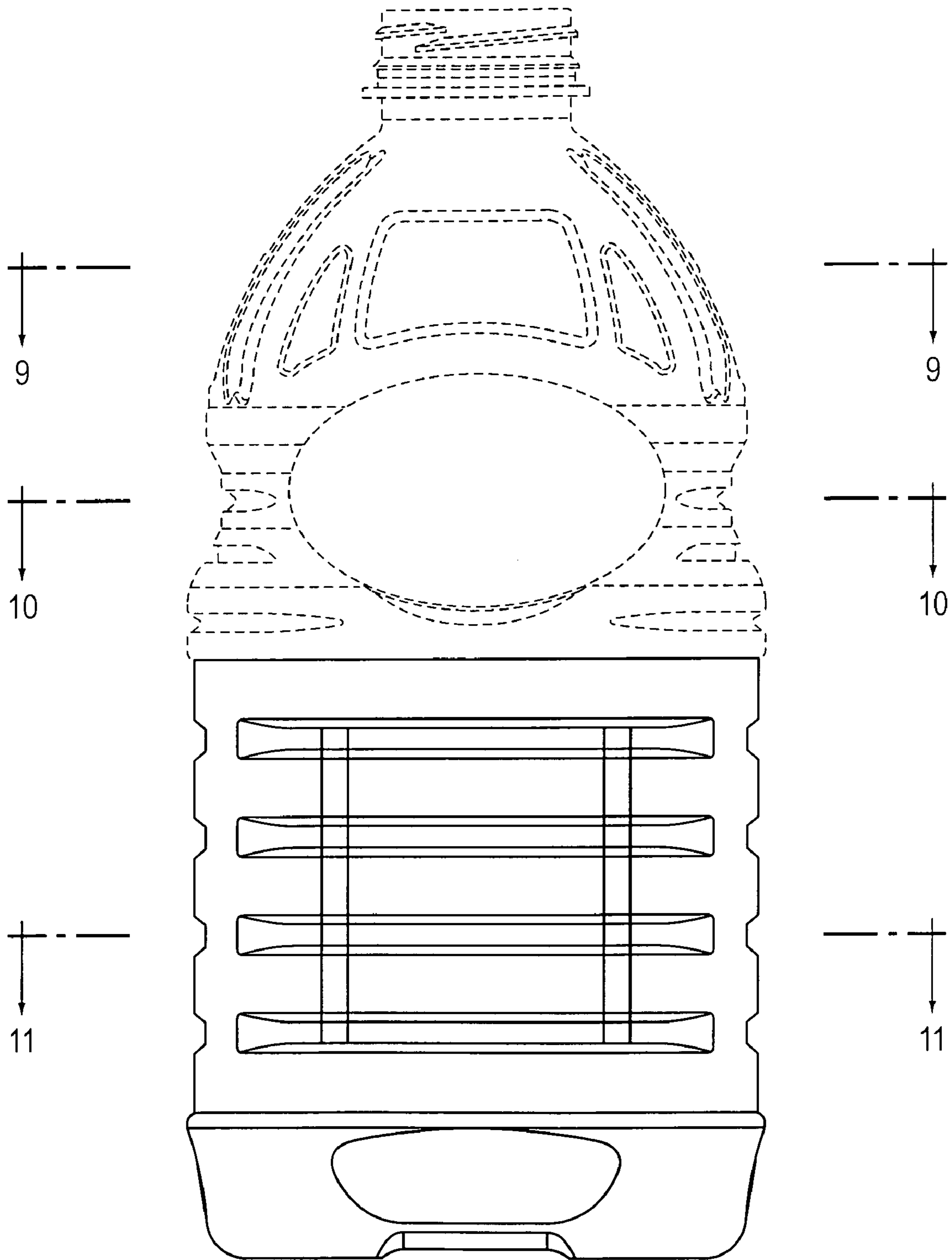


FIG. 1

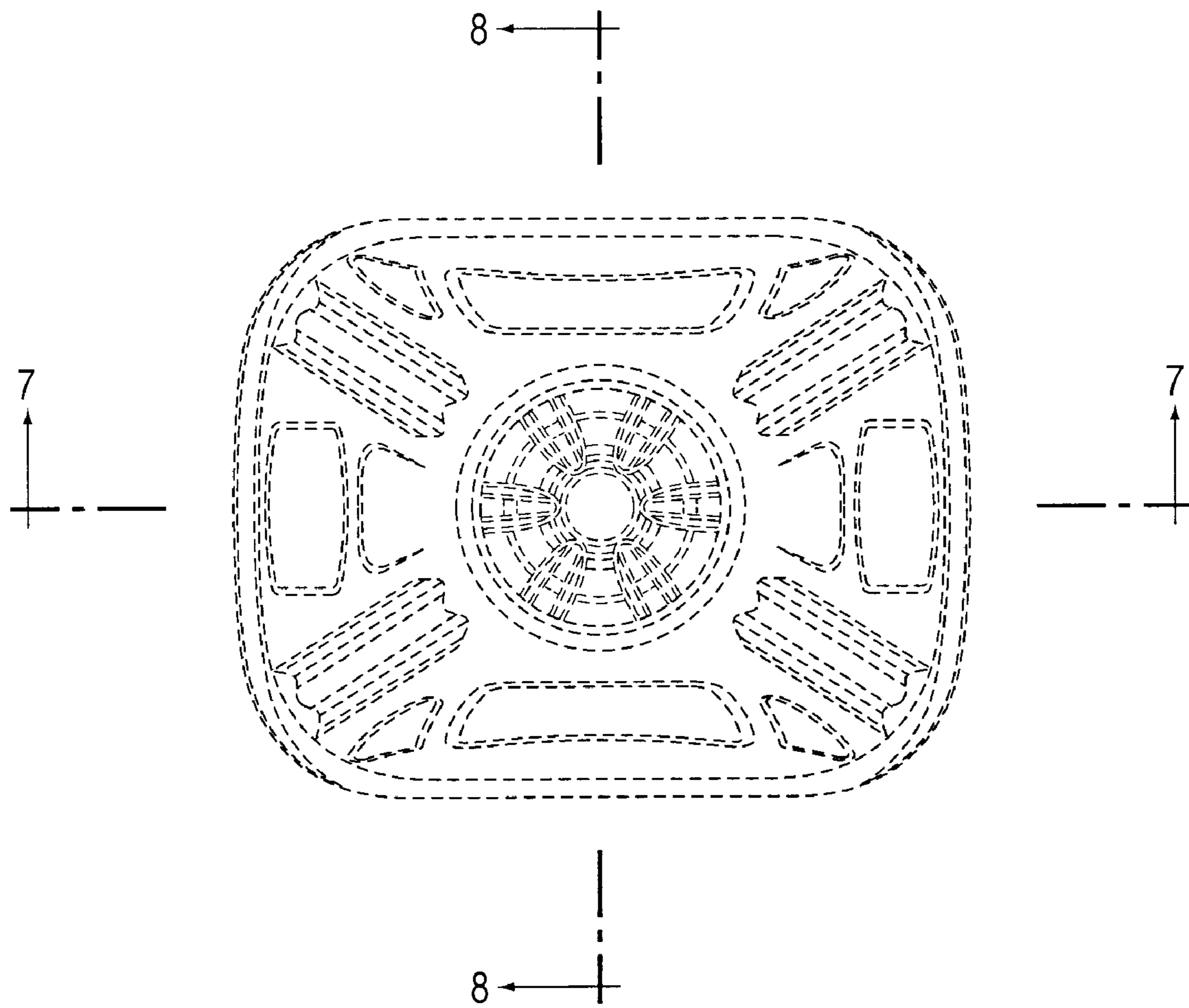


FIG. 2

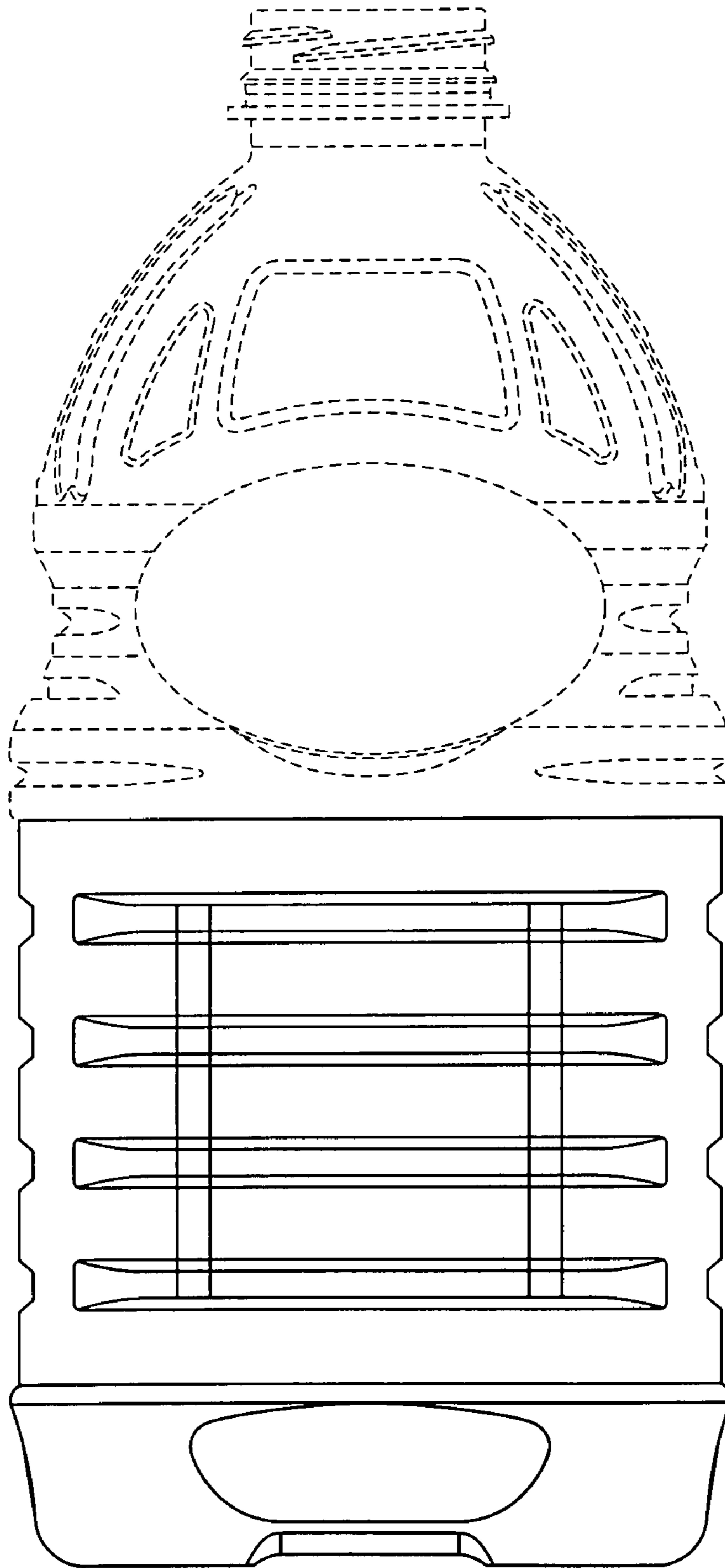


FIG. 3

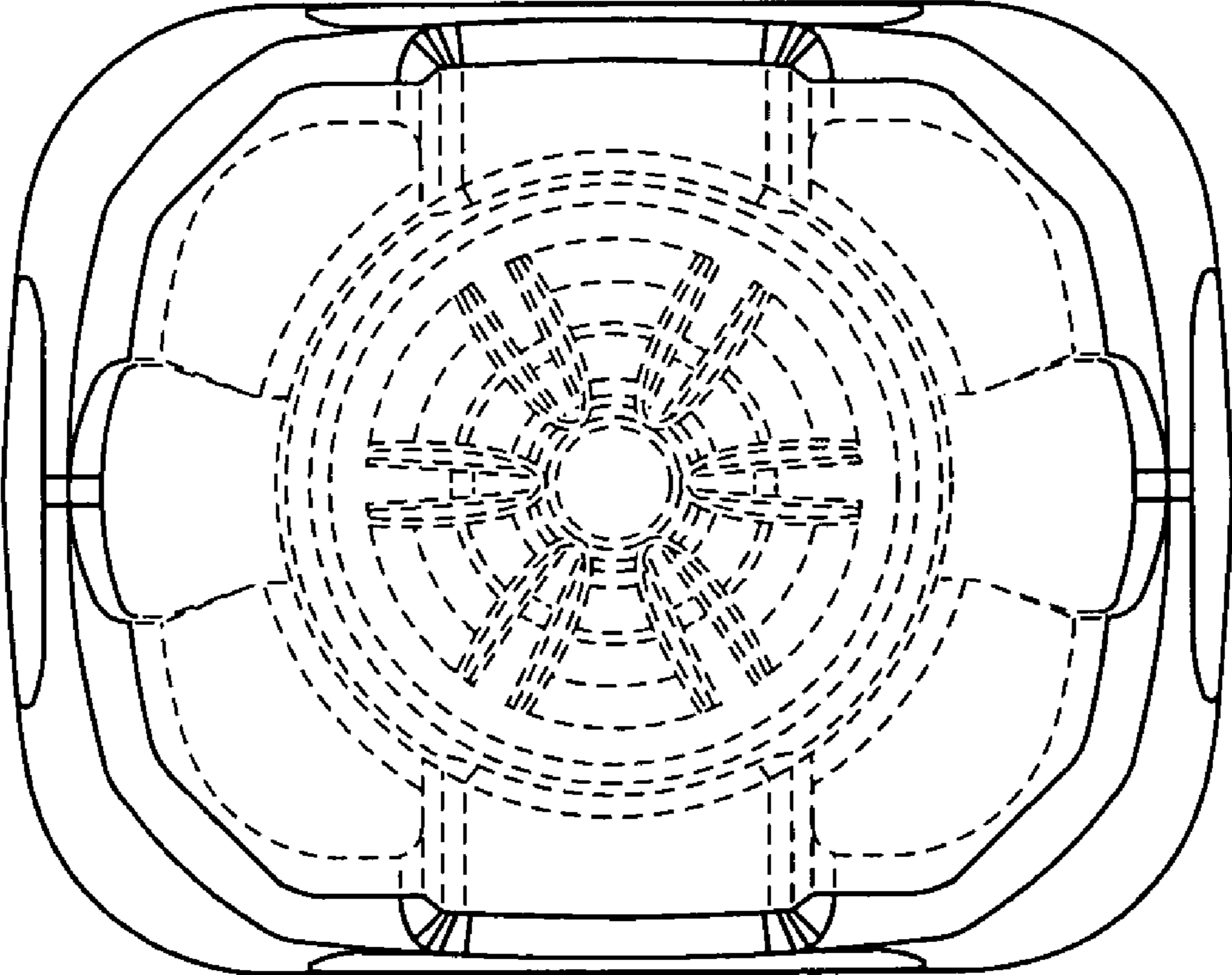


FIG. 4



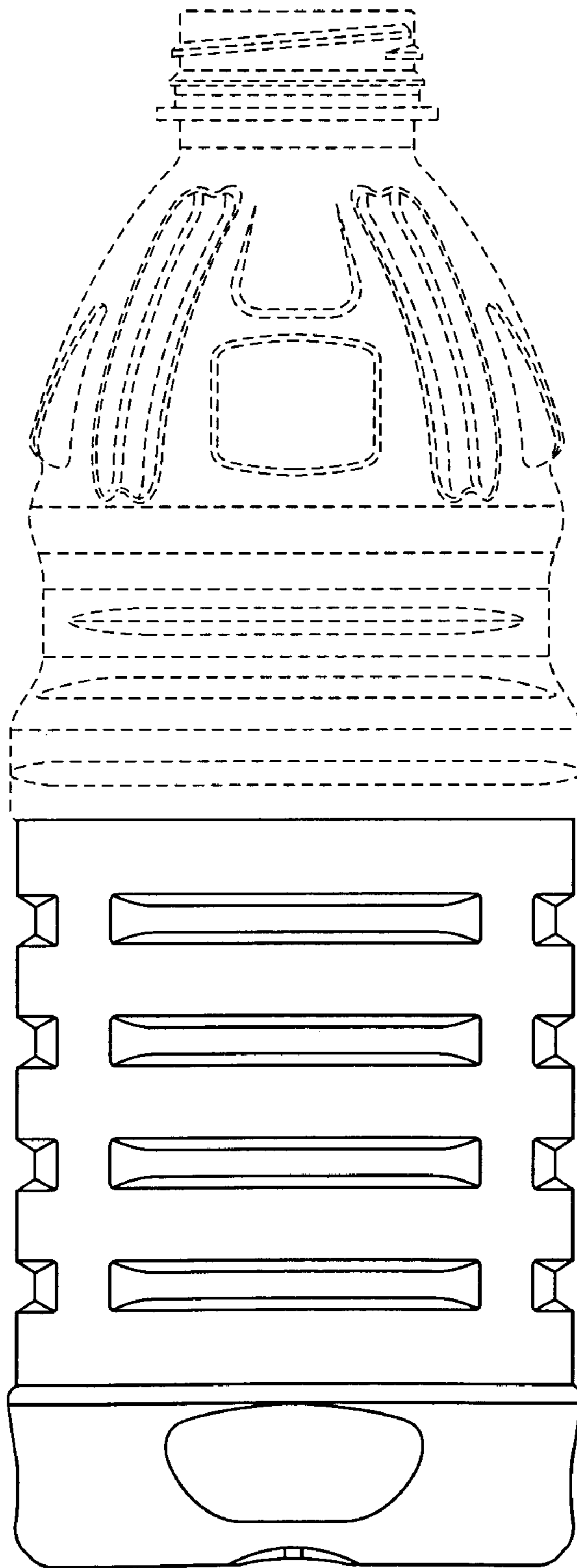


FIG. 5

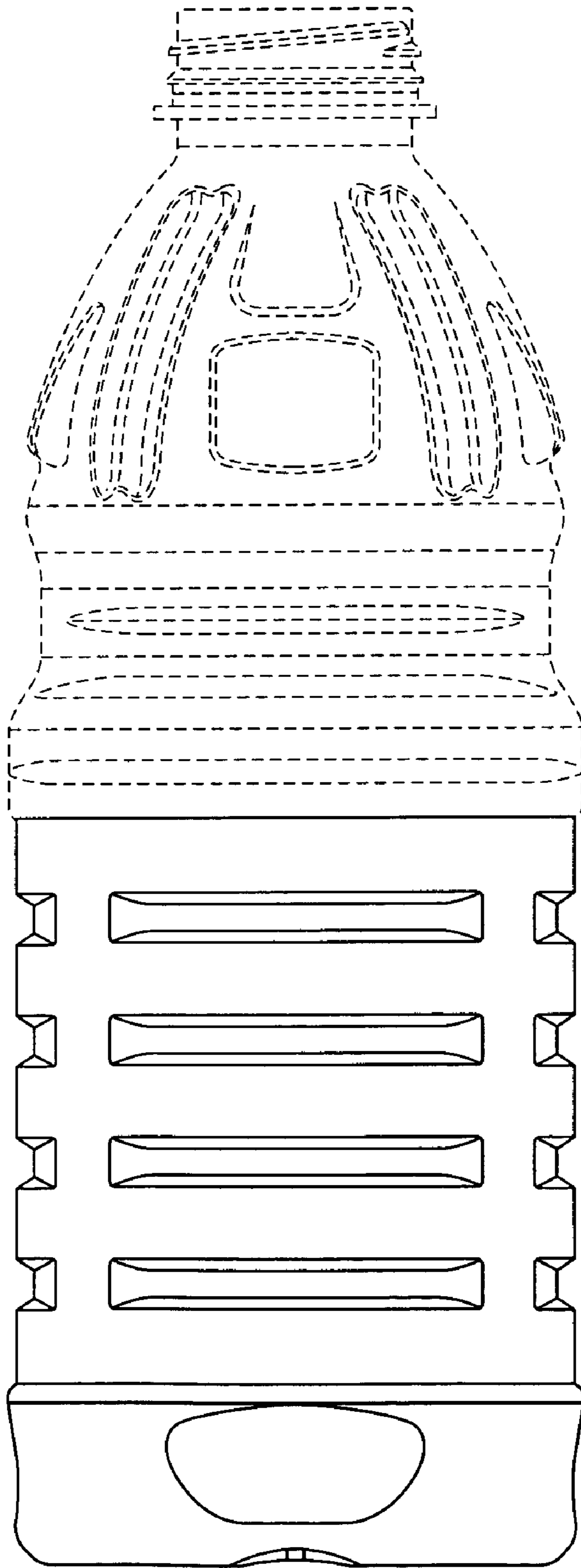


FIG. 6

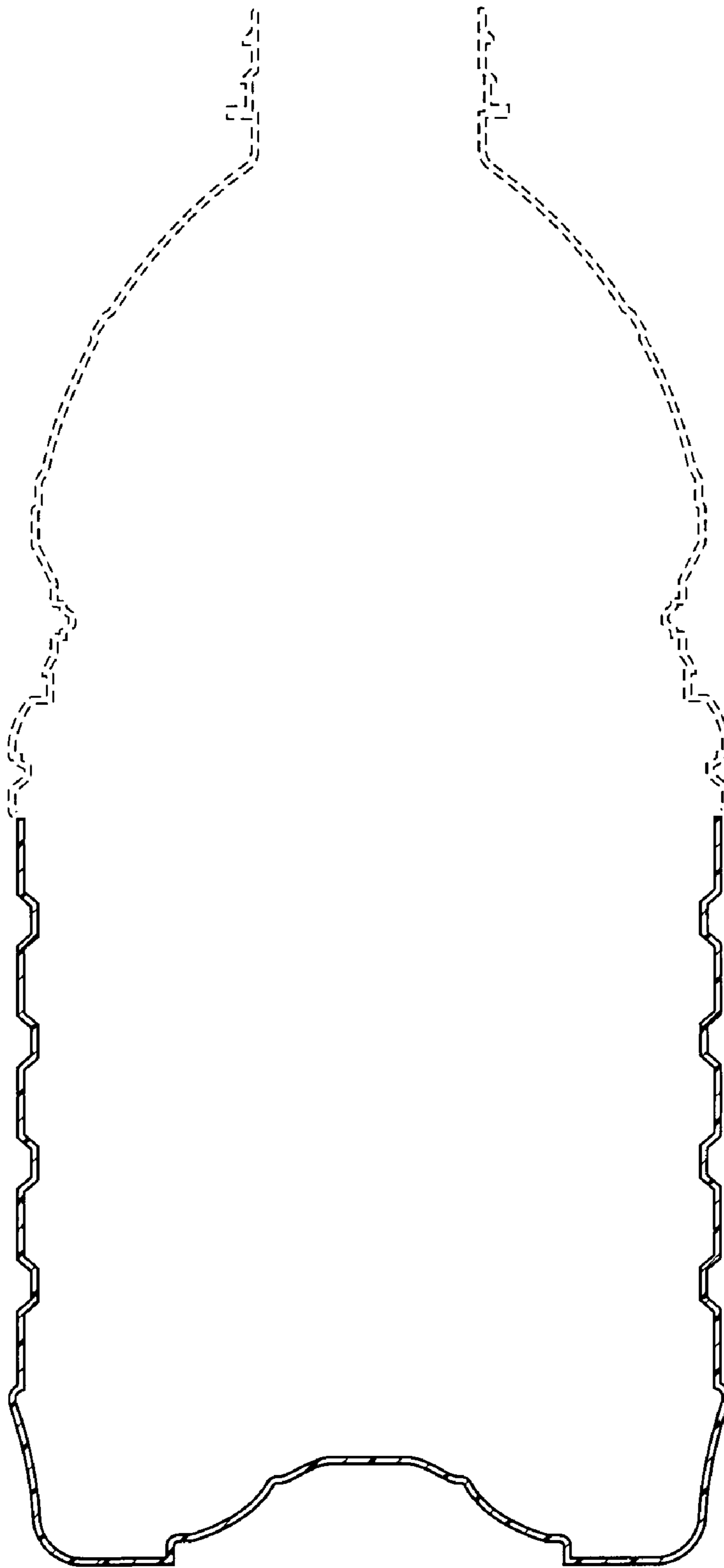


FIG. 7



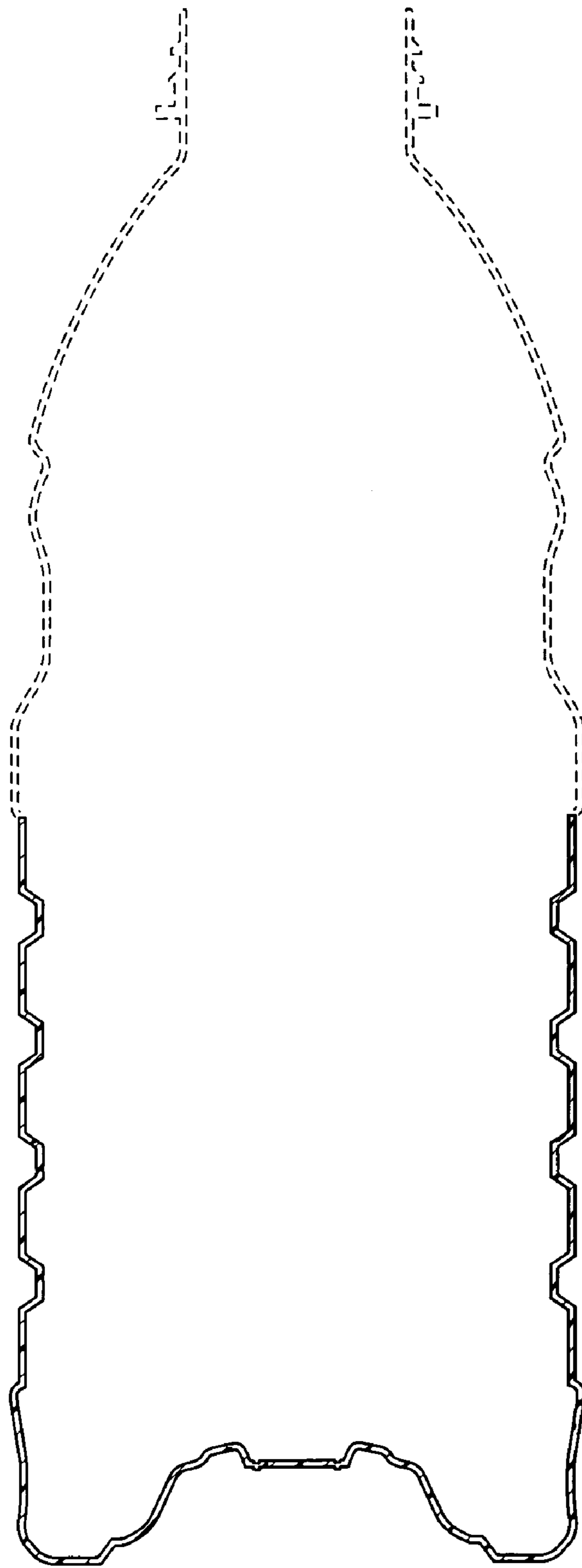


FIG. 8

FIG. 9

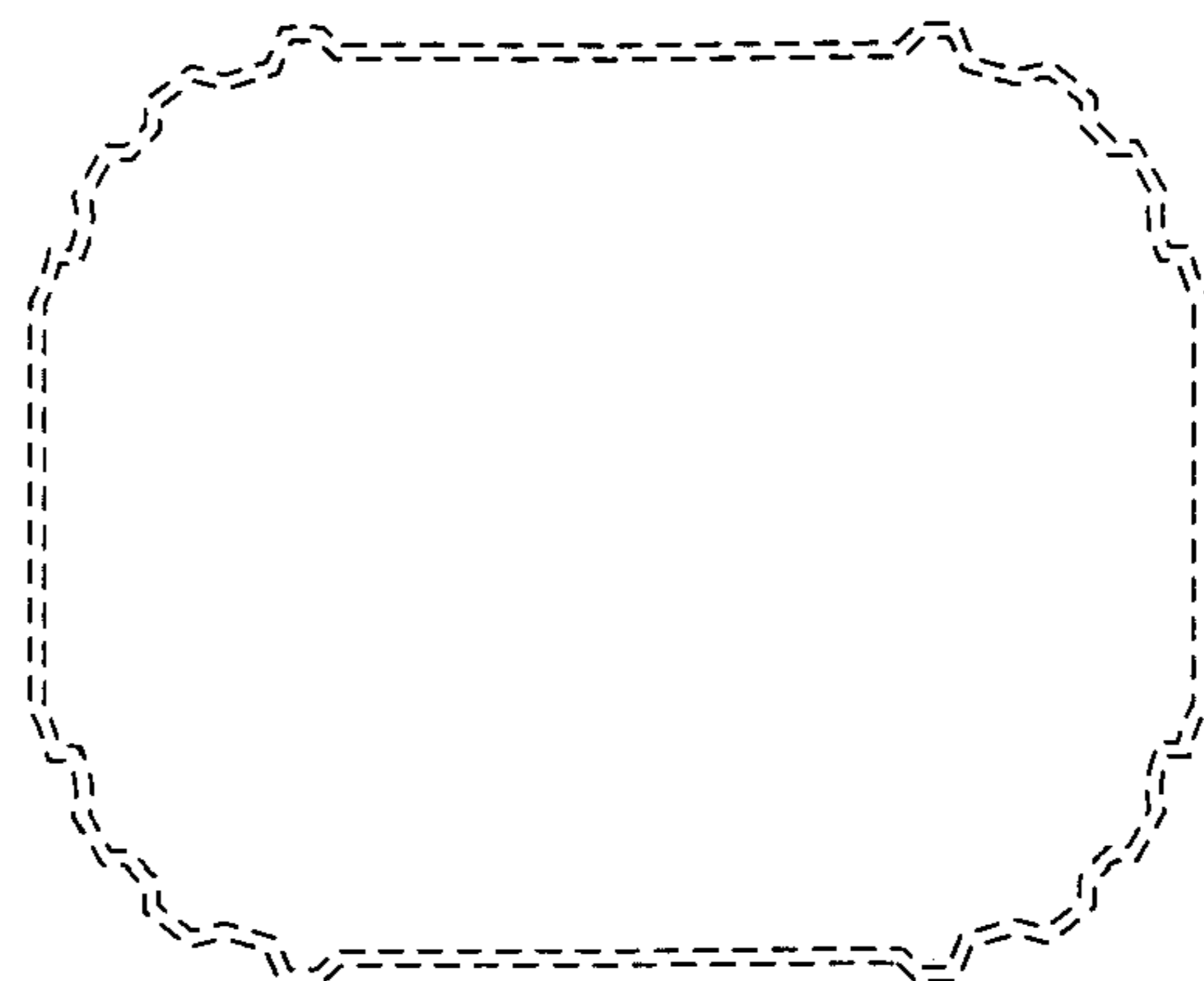


FIG. 10

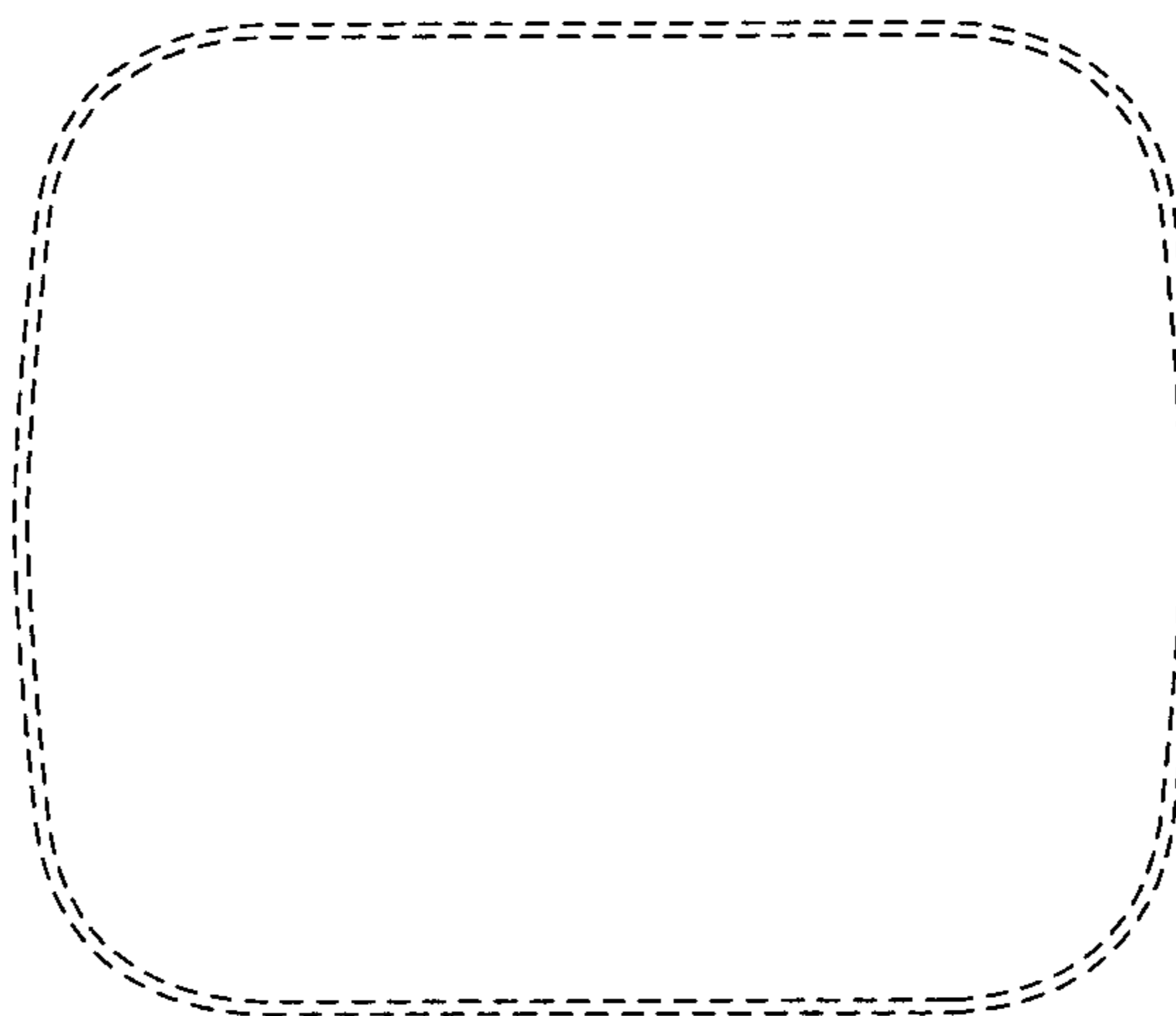
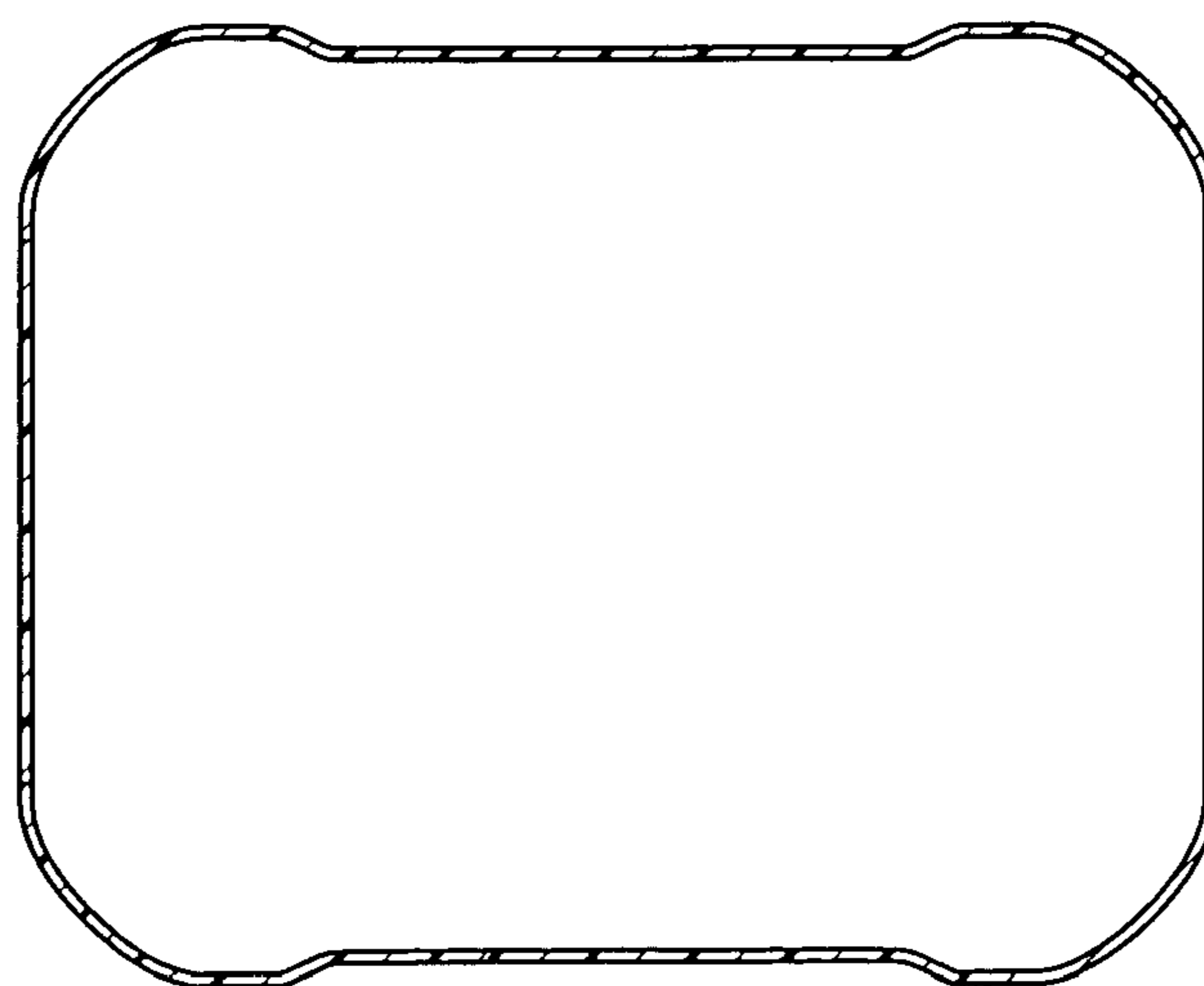


FIG. 11



UNITED STATES PATENT AND TRADEMARK OFFICE  
**CERTIFICATE OF CORRECTION**

PATENT NO. : Des. 589,803 S  
APPLICATION NO. : 29/300177  
DATED : April 7, 2009  
INVENTOR(S) : Masaaki Sasaki and Keiji Shimamoto

Page 1 of 1

It is certified that error appears in the above-identified patent and that said Letters Patent is hereby corrected as shown below:

Title page

Please delete the following:

item (57)           **CLAIM**

“The ornamental design for a packaging bottle, as shown and described.”

And replace with:

(57)               **CLAIM**

--The ornamental design for a packaging bottle as shown and described.--

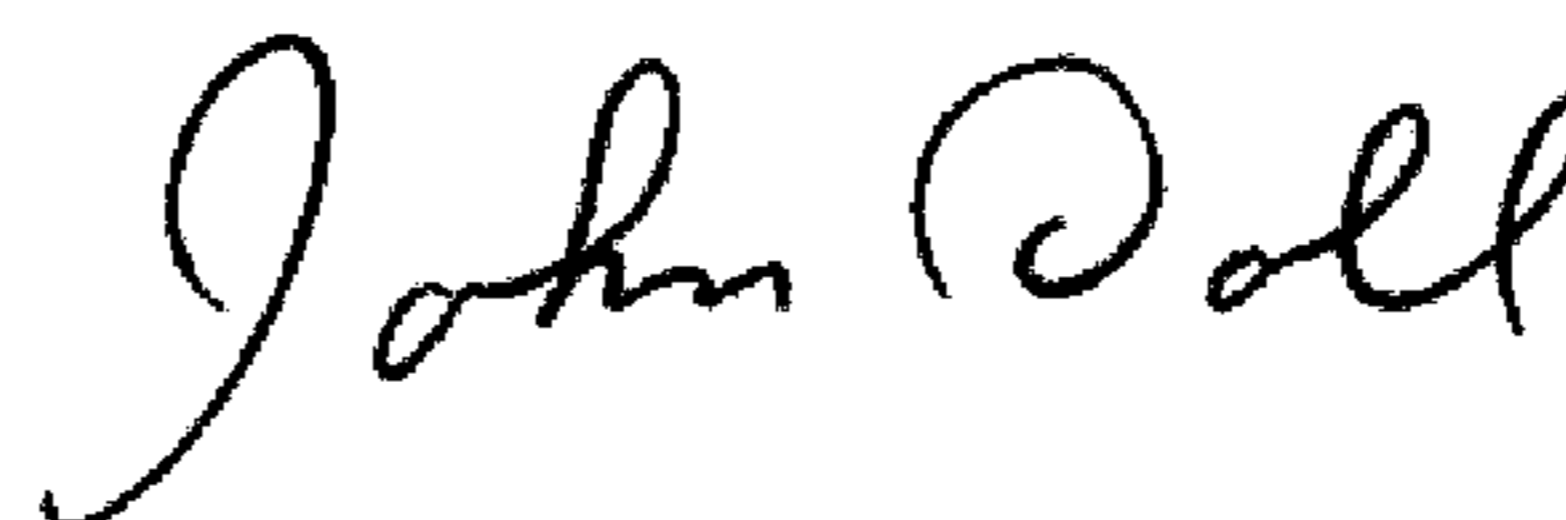
Also, please delete lines 14-15 of the **DESCRIPTION**:

“FIG. 10 is a cross-sectional view thereof taken along line 10-10 of FIG. 1;  
and,”

And replace with:

--FIG. 10 is a cross-sectional view thereof taken along line 10-10 of FIG. 1;  
and--

Signed and Sealed this  
Sixteenth Day of June, 2009



JOHN DOLL  
*Acting Director of the United States Patent and Trademark Office*