



US00D589801S

(12) **United States Design Patent**
Lablaine

(10) **Patent No.:** **US D589,801 S**
(45) **Date of Patent:** **** Apr. 7, 2009**

(54) **BOTTLE**

(75) Inventor: **Nicolas Lablaine**, Chartres (FR)

(73) Assignee: **Reckitt Benckiser N.V.**, Hoofddorp (NL)

(**) Term: **14 Years**

(21) Appl. No.: **29/276,888**

(22) Filed: **Feb. 8, 2007**

(30) **Foreign Application Priority Data**

Jan. 11, 2007 (EM) 000651328-0005

(51) **LOC (9) Cl.** **09-01**

(52) **U.S. Cl.** **D9/516; D9/541; D9/542;**
D9/564; D9/565; D9/600

(58) **Field of Classification Search** D9/516,
D9/530, 537-543, 549, 552, 564-565, 574,
D9/600; D21/455, 447-458; D23/379; 215/382-384;
222/212; 446/217, 236

See application file for complete search history.

(56) **References Cited**

U.S. PATENT DOCUMENTS

- 1,549,110 A * 8/1925 Greger 446/217
- 1,769,784 A * 7/1930 Hoppe 446/217
- D102,283 S * 12/1936 Marrow D9/539
- 2,510,336 A * 6/1950 Donahue 446/217
- D169,111 S * 3/1953 Smith D9/542
- D210,650 S * 4/1968 Douglas D9/530
- D222,611 S * 11/1971 Strand D9/542

- D257,364 S * 10/1980 Molenaar D21/458
- D259,246 S * 5/1981 Brandt et al. D9/542
- 4,349,134 A * 9/1982 Schuster et al. 222/212
- D273,732 S * 5/1984 Tiffany D6/335
- D281,616 S * 12/1985 McGuire D21/457
- D325,701 S * 4/1992 van Lit
- 5,542,585 A * 8/1996 Peters et al. 222/531
- 5,836,800 A * 11/1998 Liu 446/236
- D528,923 S * 9/2006 Nicoletti D9/542
- D541,660 S * 5/2007 Mayers D9/574 X
- D559,968 S * 1/2008 Lee et al. D23/379
- D570,692 S * 6/2008 Finn D9/516

* cited by examiner

Primary Examiner—Carol Rademaker

(57) **CLAIM**

The ornamental design for a bottle, as shown and described.

DESCRIPTION

FIG. 1 is a top, front, and left side perspective view of a bottle according to the present invention;

FIG. 2 is a front elevational view thereof;

FIG. 3 is a rear elevational view thereof;

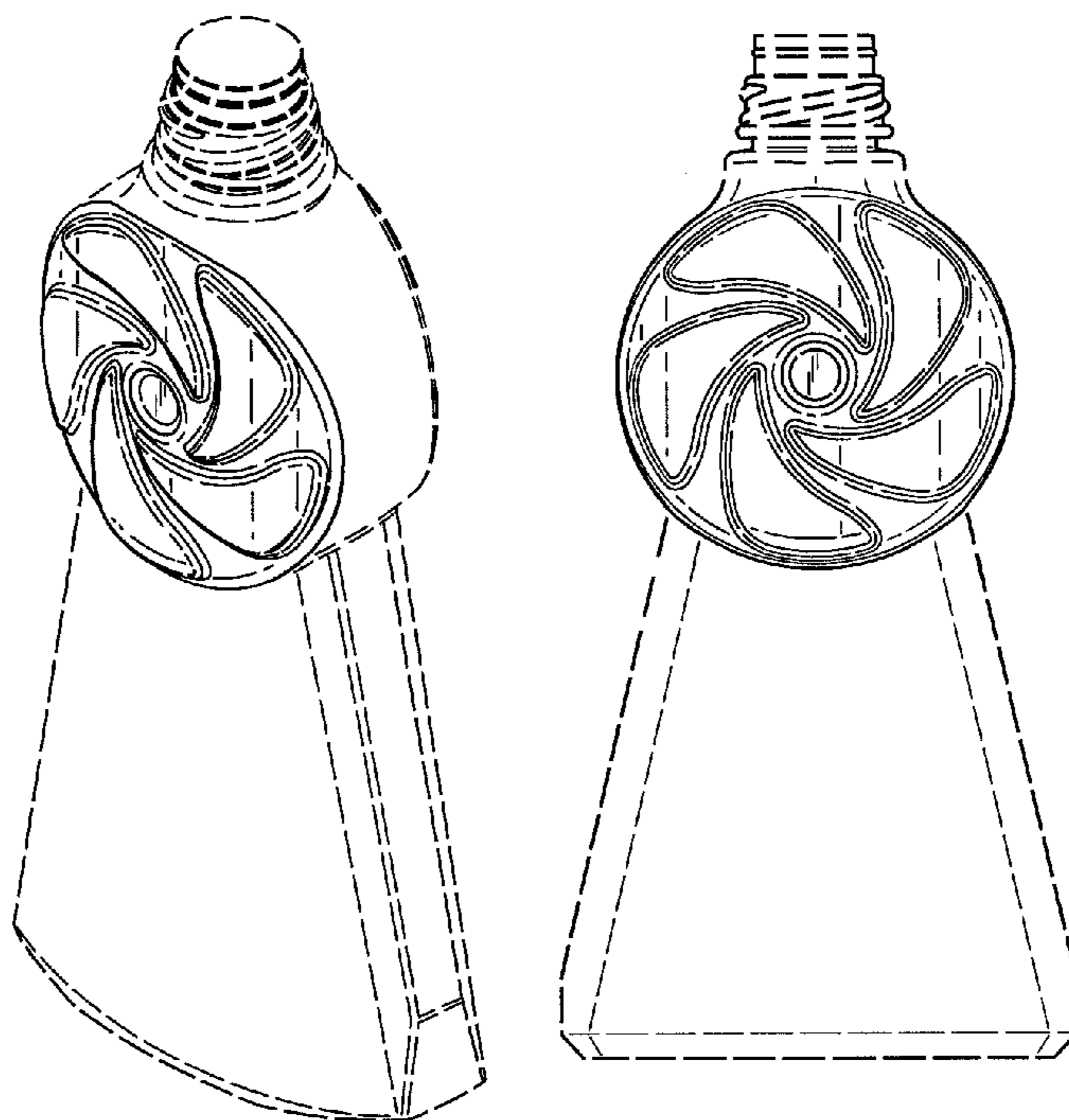
FIG. 4 right side elevational view thereof, the left side elevational view being a mirror image;

FIG. 5 top plan view thereof; and,

FIG. 6 is a bottom plan view thereof.

The broken lines shown in the drawing views are included for the purpose of showing environmental structure that forms no part of the claimed design.

1 Claim, 2 Drawing Sheets



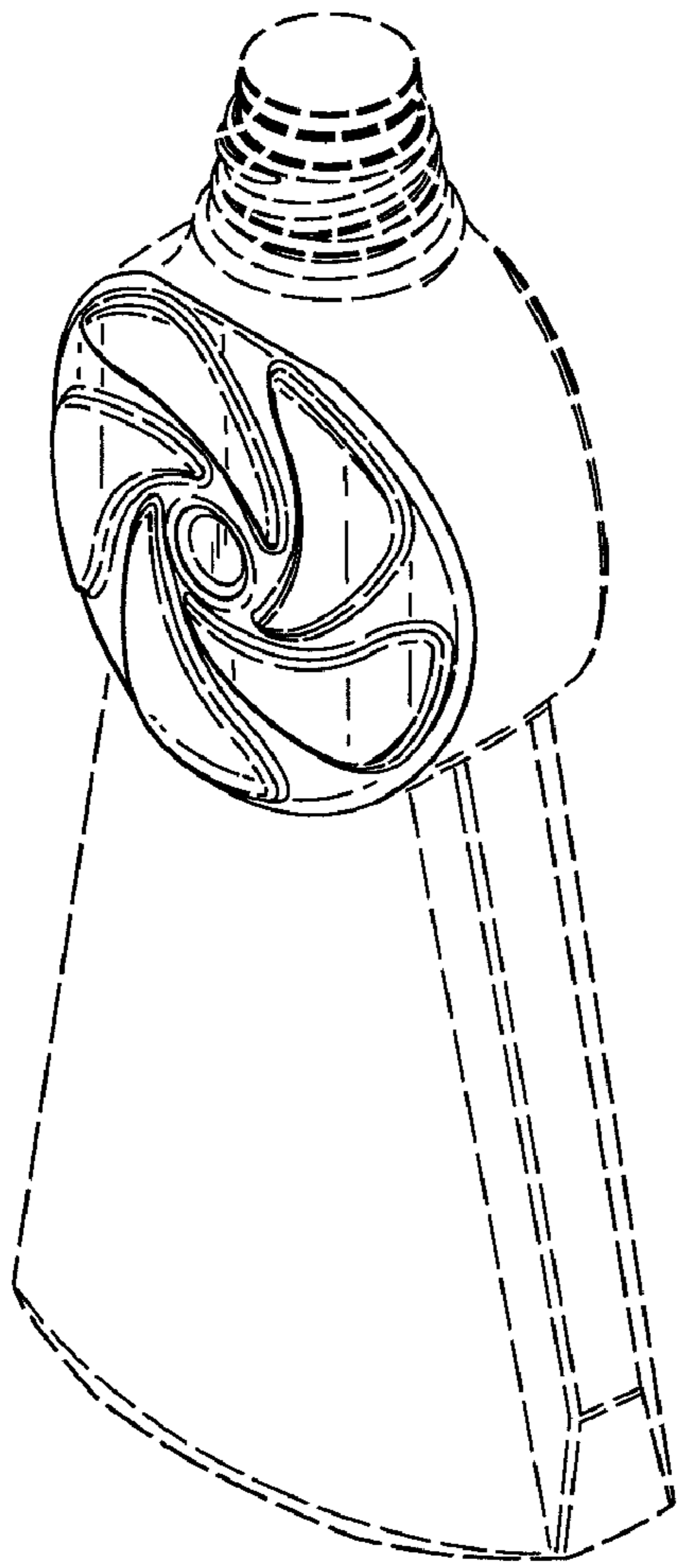


Fig.1.

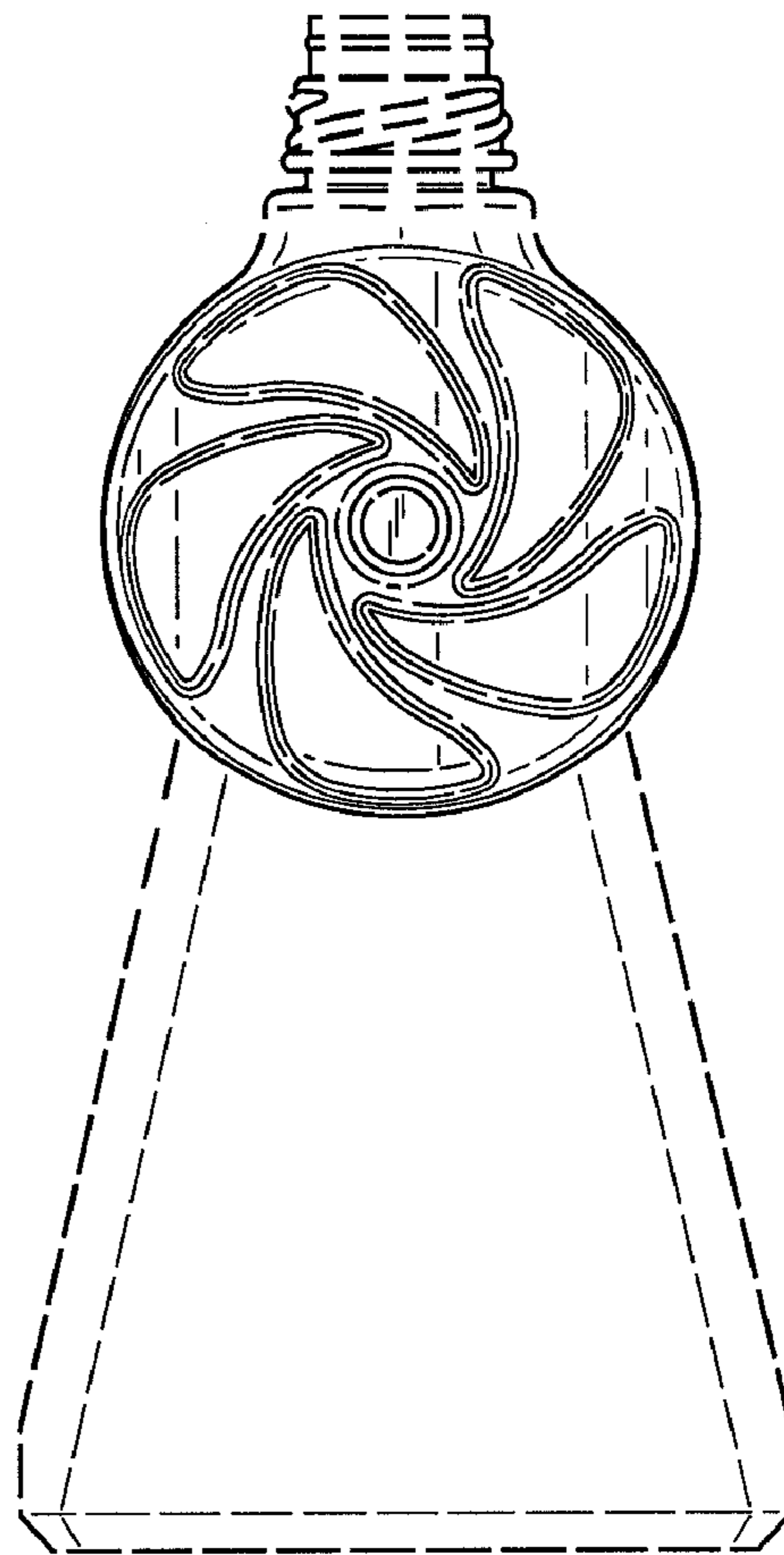


Fig.2.

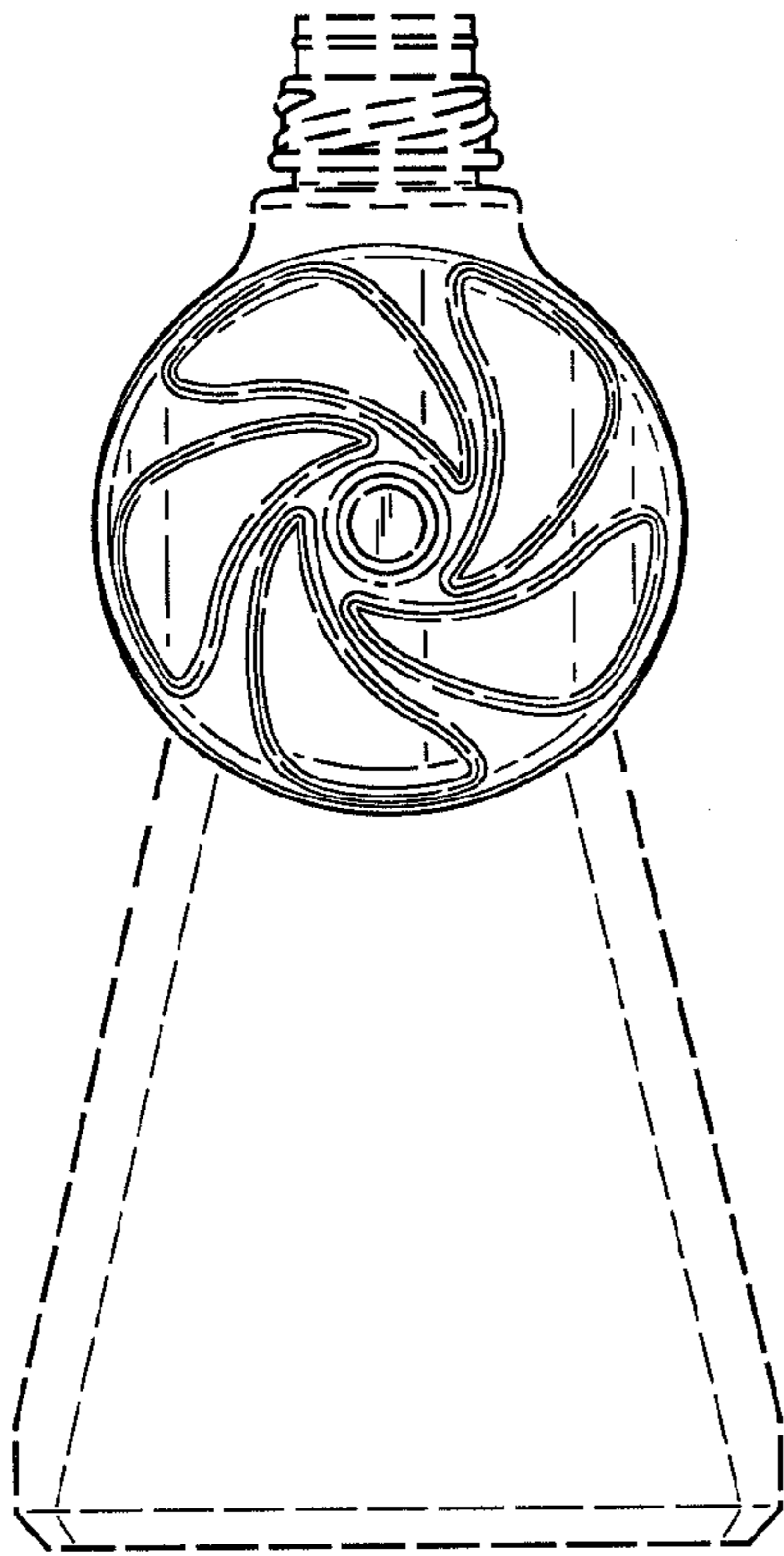


Fig. 3.

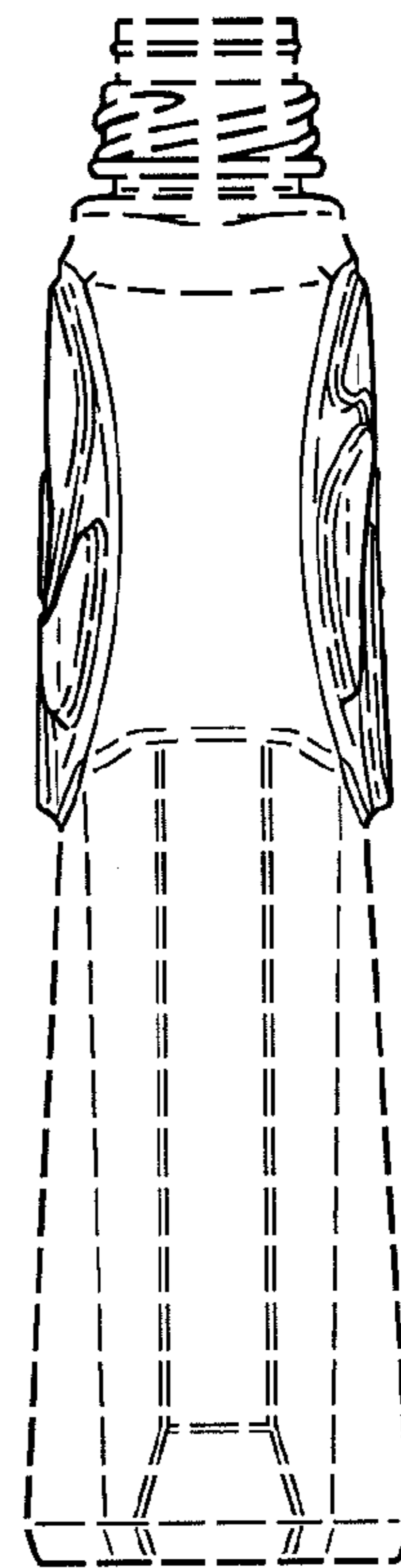


Fig. 4.

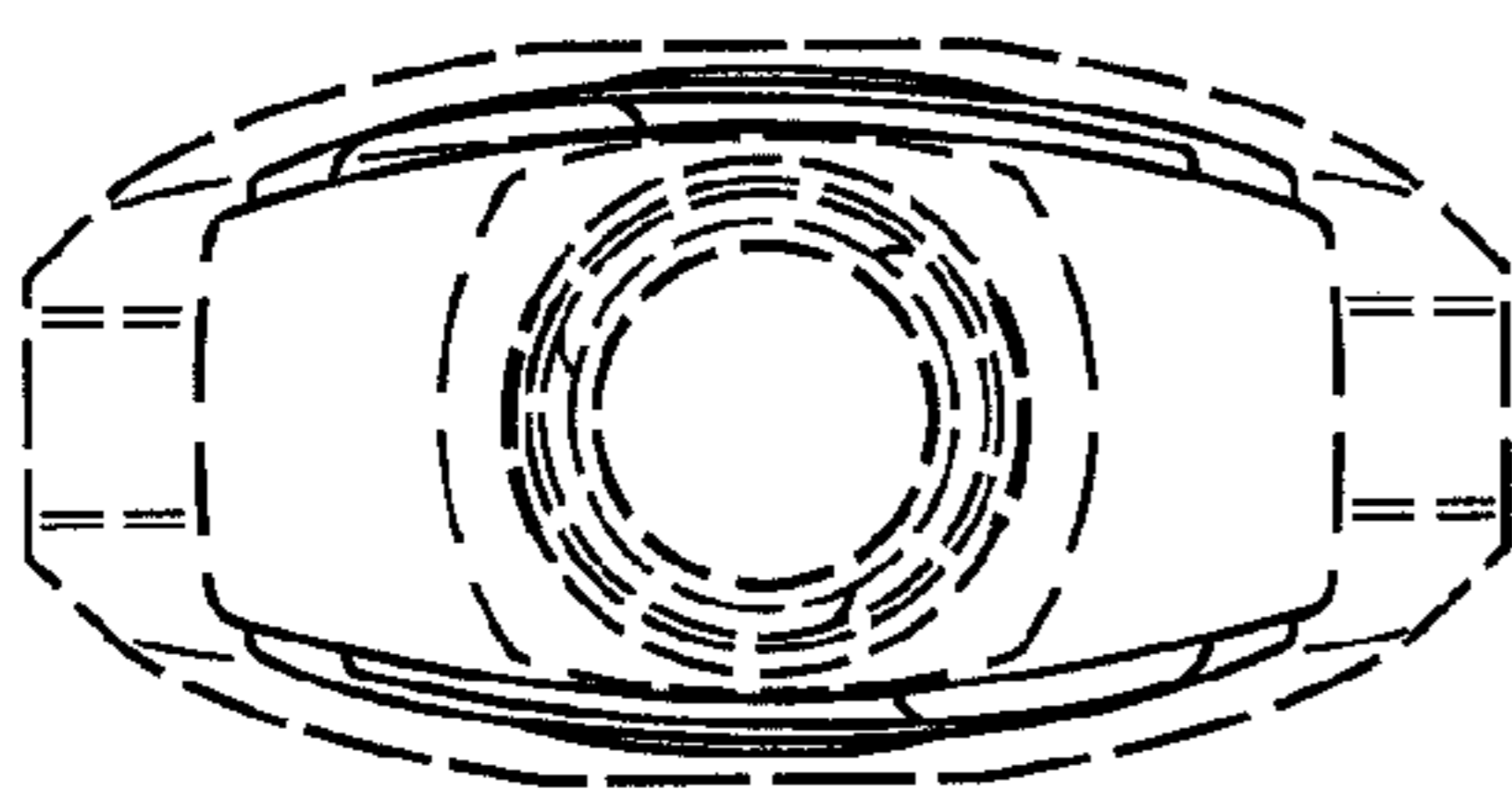


Fig. 5.

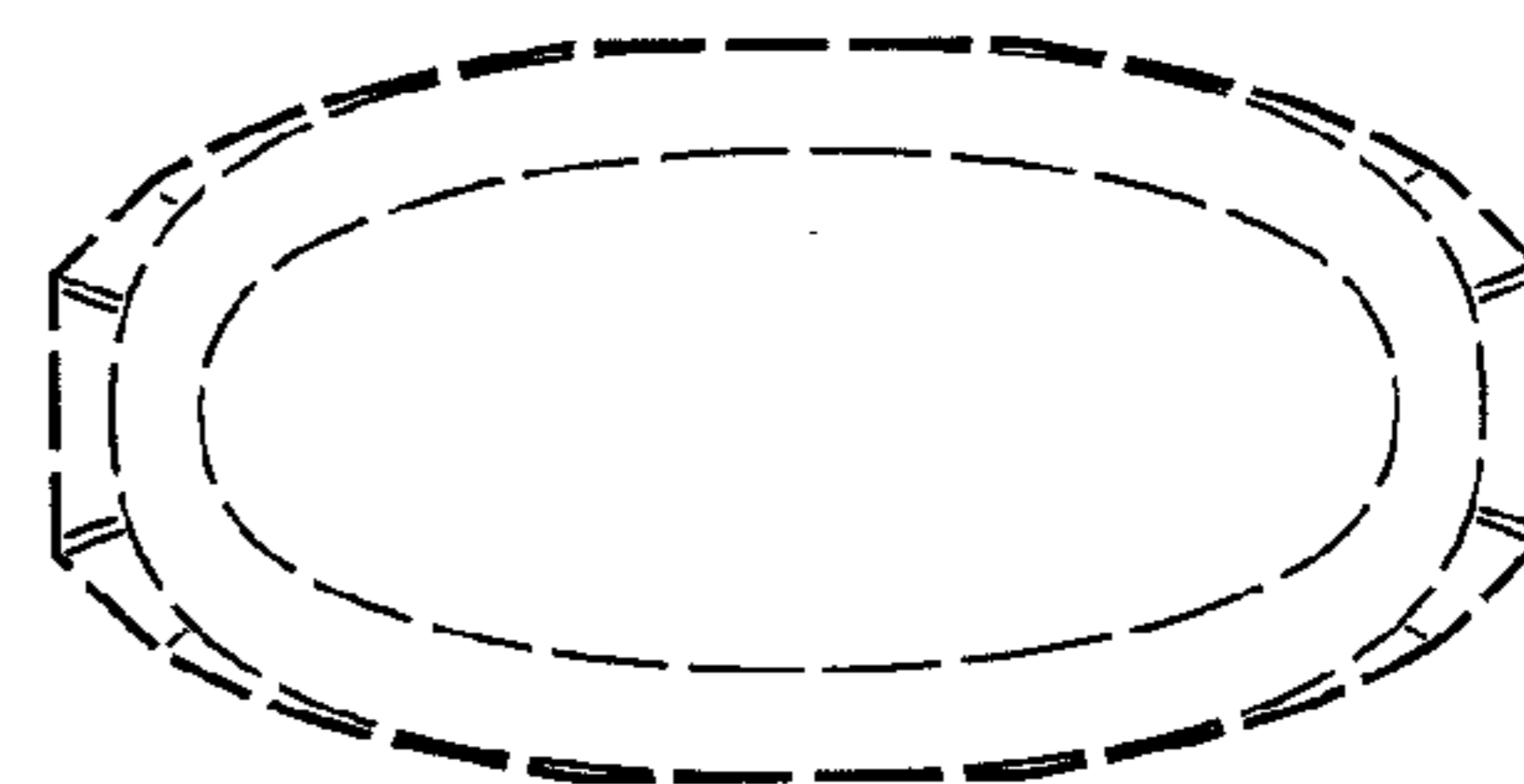


Fig. 6.

UNITED STATES PATENT AND TRADEMARK OFFICE
CERTIFICATE OF CORRECTION

PATENT NO. : Des. 589,801 S
APPLICATION NO. : 29/276888
DATED : April 7, 2009
INVENTOR(S) : Nicolas Lablaine

Page 1 of 1

It is certified that error appears in the above-identified patent and that said Letters Patent is hereby corrected as shown below:

On the Title Page, Item (30)

Under the heading "Foreign Application Priority Data":

Jan. 11, 2007 (EM)000651328-0005

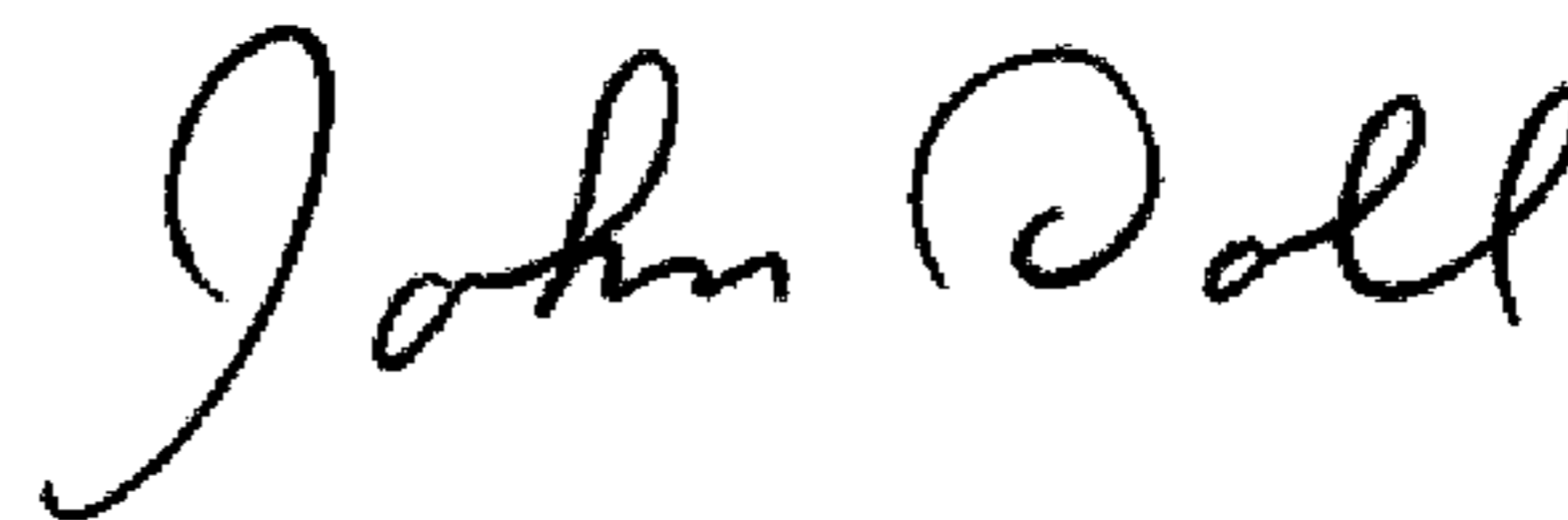
should read:

Jan. 11, 2007 (EM)000651328-0005

Aug. 8, 2006 (EM)000573712-0001

Signed and Sealed this

Fourth Day of August, 2009



JOHN DOLL

Acting Director of the United States Patent and Trademark Office