



US00D589798S

(12) **United States Design Patent**  
**Liipola**

(10) **Patent No.:** **US D589,798 S**

(45) **Date of Patent:** **\*\* Apr. 7, 2009**

(54) **CONTAINER**

(75) Inventor: **Johanna Liipola**, Turku (FI)

(73) Assignee: **Nokia Corporation**, Espoo (FI)

(\*\*) Term: **14 Years**

(21) Appl. No.: **29/303,162**

(22) Filed: **Feb. 1, 2008**

(51) **LOC (9) Cl.** ..... **09-07**

(52) **U.S. Cl.** ..... **D9/456**

(58) **Field of Classification Search** ..... D9/749,  
D9/721, 705, 700, 658, 655, 652, 457, 455,  
D9/431, 424, 415; D7/512, 510; D6/526;  
493/104; 229/128, 117.03; 220/834; 206/779,  
206/775, 705, 701, 563, 553, 471, 469, 459.5,  
206/457, 395, 349; D1/127

See application file for complete search history.

(56) **References Cited**

**U.S. PATENT DOCUMENTS**

4,380,293 A \* 4/1983 Wilcox et al. .... 206/563

D289,856 S \* 5/1987 Easterling ..... D9/737  
5,275,281 A \* 1/1994 Ebeling ..... 206/373  
D367,759 S \* 3/1996 Jacobson ..... D3/301  
2008/0073241 A1\* 3/2008 Naden et al. .... 206/553

\* cited by examiner

*Primary Examiner*—Susan Bennett Hattan

(74) *Attorney, Agent, or Firm*—Banner & Witcoff, Ltd.

(57) **CLAIM**

The ornamental design for a container, as shown and described.

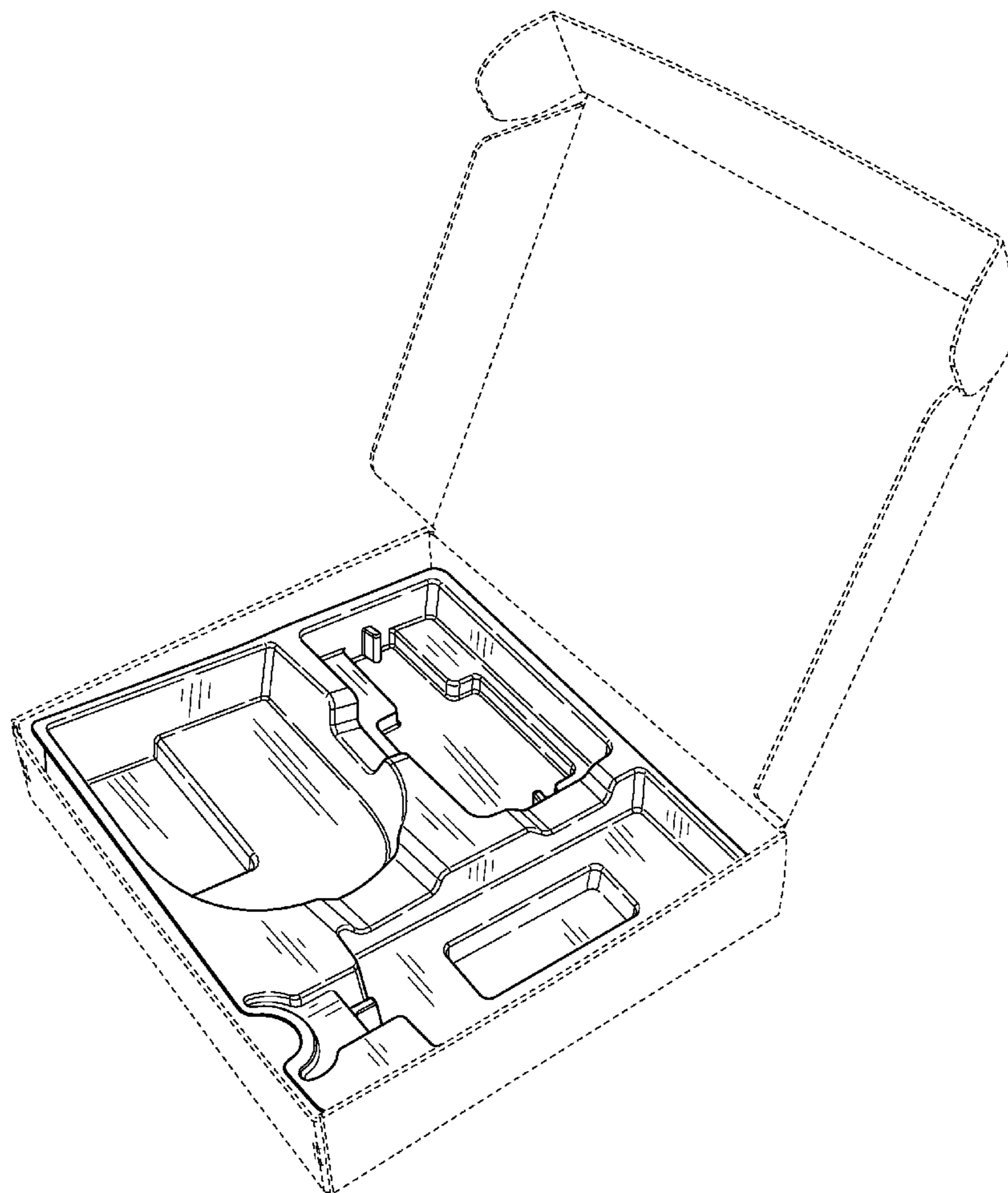
**DESCRIPTION**

FIG. 1 is a front perspective view of a container showing our new design; and,

FIG. 2 is a another front perspective view thereof.

The broken line showing of various environmental structures is for illustrative purposes only and forms no part of the claimed design.

**1 Claim, 2 Drawing Sheets**



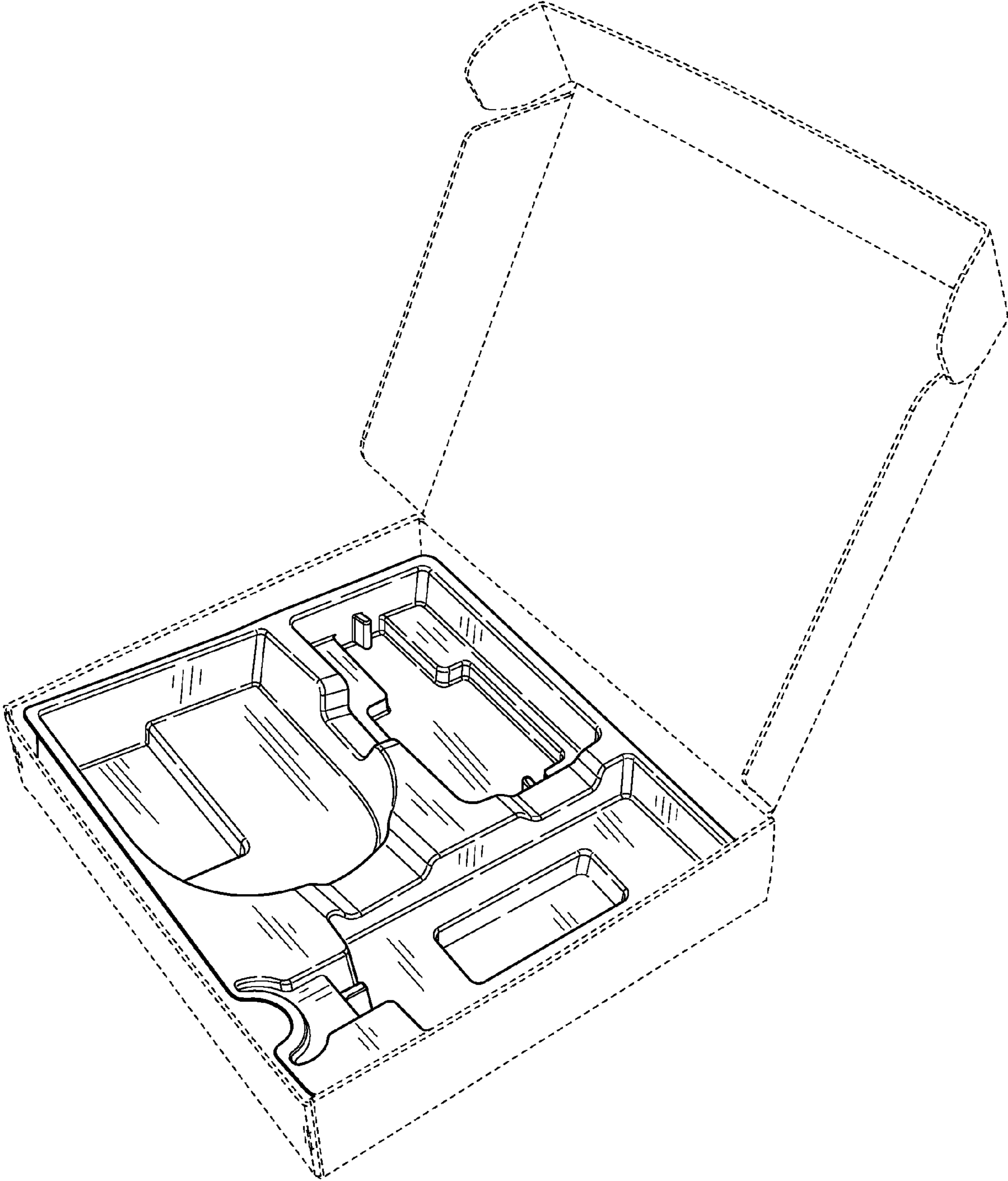


FIG. 1

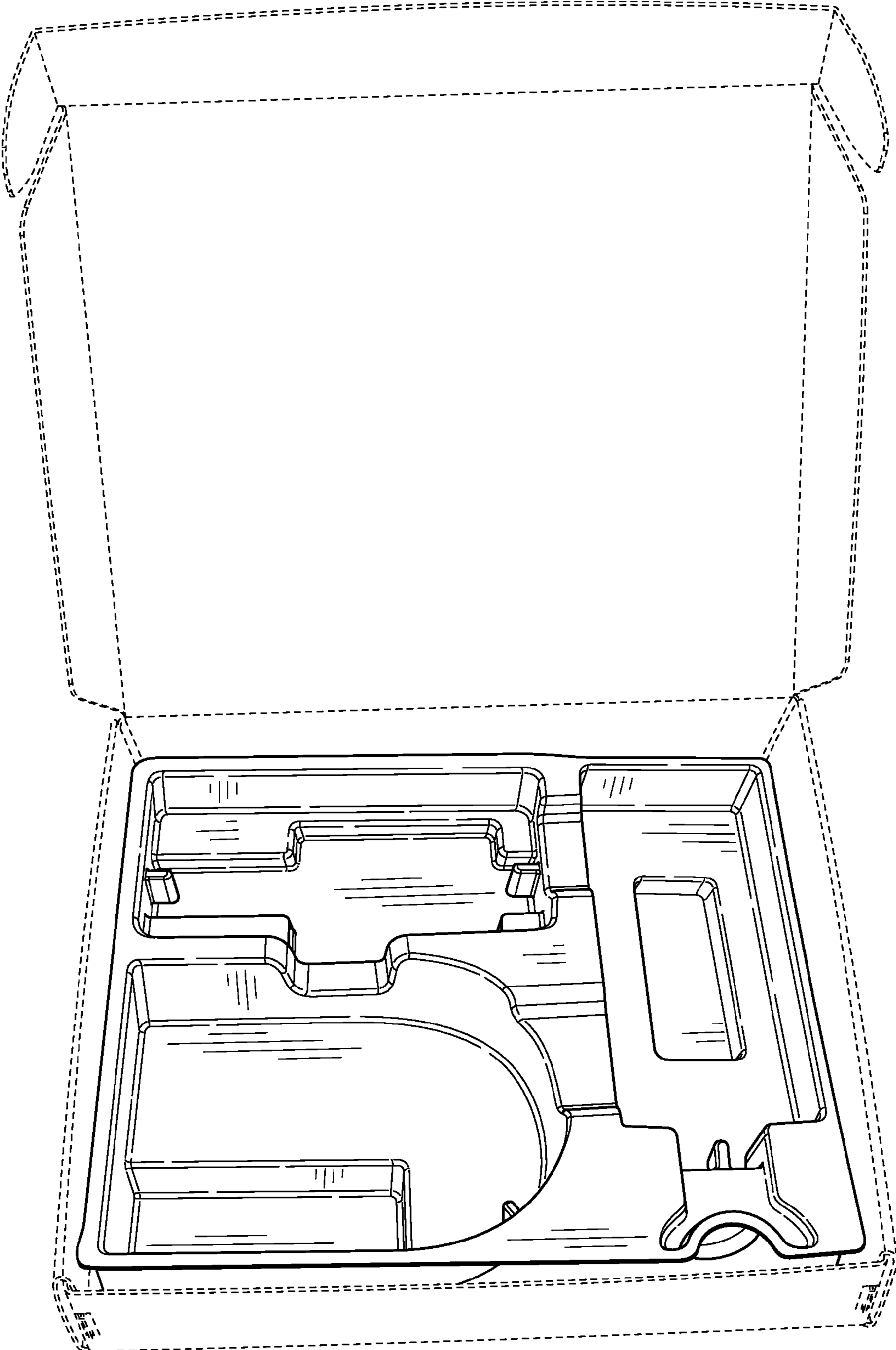


FIG. 2

UNITED STATES PATENT AND TRADEMARK OFFICE  
**CERTIFICATE OF CORRECTION**

PATENT NO. : Des. 589,798 S  
APPLICATION NO. : 29/303162  
DATED : April 7, 2009  
INVENTOR(S) : Johanna Liipola

Page 1 of 1

It is certified that error appears in the above-identified patent and that said Letters Patent is hereby corrected as shown below:

On the Title page, the following is added:

-- (30) Foreign Application Priority Data  
Aug. 02, 2007 (EM) 000768544 --

Signed and Sealed this

Seventh Day of December, 2010



David J. Kappos  
*Director of the United States Patent and Trademark Office*