



US00D589796S

(12) **United States Design Patent**
McGeough

(10) **Patent No.:** **US D589,796 S**
(45) **Date of Patent:** **** Apr. 7, 2009**

(54) **FLIPTOP CLOSURE FOR A CONTAINER**

(75) Inventor: **Peter Michael McGeough**, Horsell (GB)

(73) Assignee: **Bapco Closures Research Ltd.**, Surrey (GB)

(**) Term: **14 Years**

(21) Appl. No.: **29/294,580**

(22) Filed: **Jan. 18, 2008**

(30) **Foreign Application Priority Data**

Jul. 20, 2007 (EM) 000761572

(51) **LOC (9) Cl.** **09-07**

(52) **U.S. Cl.** **D9/449**

(58) **Field of Classification Search** D9/716,
D9/715, 454, 453, 452, 450, 449, 447, 446,
D9/443, 438, 436, 435, 434; D7/643, 638,
D7/505, 396.2, 392, 392.1, 305; 426/120;
229/404, 401; 222/556, 480; 220/810, 713,
220/375, 254.1–254.9; 215/236, 235; 206/807
See application file for complete search history.

(56) **References Cited**

U.S. PATENT DOCUMENTS

D314,337 S * 2/1991 Norton D9/438
D517,916 S * 3/2006 Satt D9/449

D530,603 S * 10/2006 Lohrman et al. D9/438
D538,160 S * 3/2007 Liebe et al. D9/449
D549,098 S * 8/2007 Lohrman et al. D9/438
2008/0078775 A1 * 4/2008 Steiger et al. 220/810

FOREIGN PATENT DOCUMENTS

WO WO 99/61337 12/1999
WO WO08024775 2/2008

* cited by examiner

Primary Examiner—Susan Bennett Hattan

(74) *Attorney, Agent, or Firm*—K&L Gates LLP

(57) **CLAIM**

The ornamental design for a fliptop closure for a container, as shown and described.

DESCRIPTION

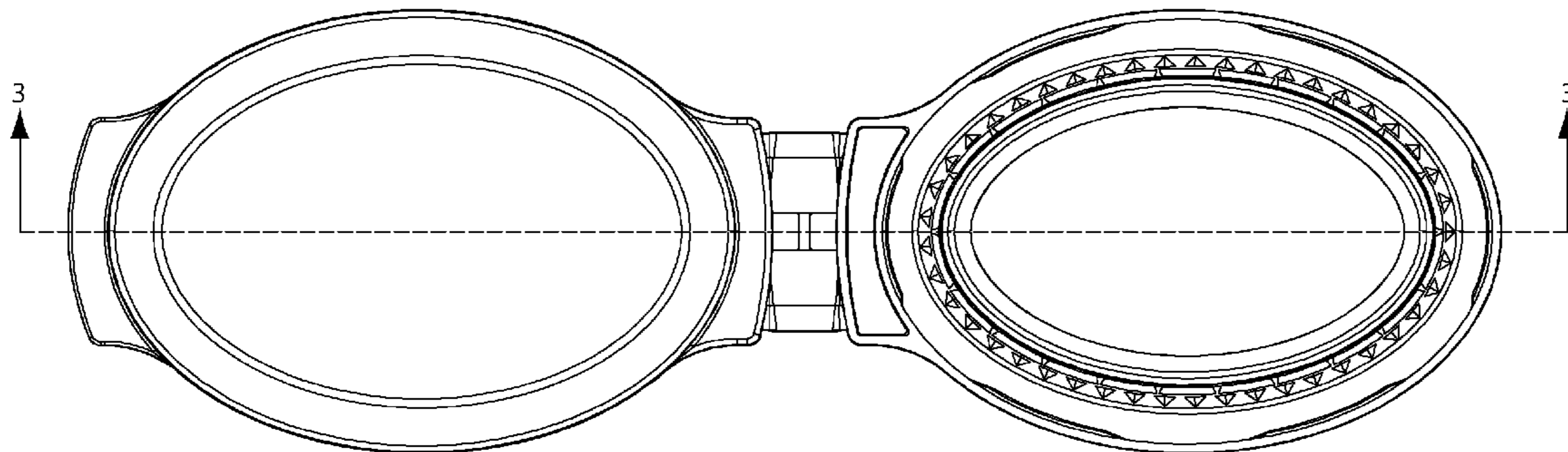
FIG. 1 is a plan view of a fliptop closure for a container in an open position, showing the internal surface of the spout and the outer surface of the overcap;

FIG. 2 is a plan view of the side opposite to FIG. 1, showing the outer surface of the spout with a removable membrane and the internal surface of the overcap;

FIG. 3 is a cross-sectional view thereof, taken in the direction of line 3—3 on FIG. 1; and,

FIG. 4 is a vertical section through the center of the closure shown in FIG. 1 in a closed position.

1 Claim, 3 Drawing Sheets



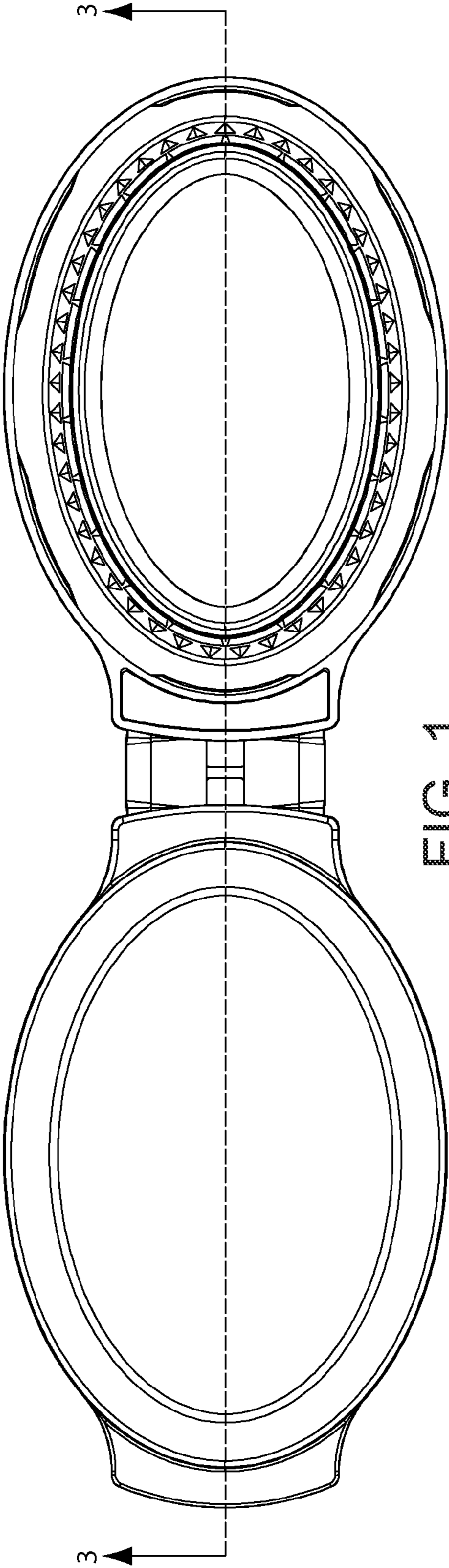


FIG. 1

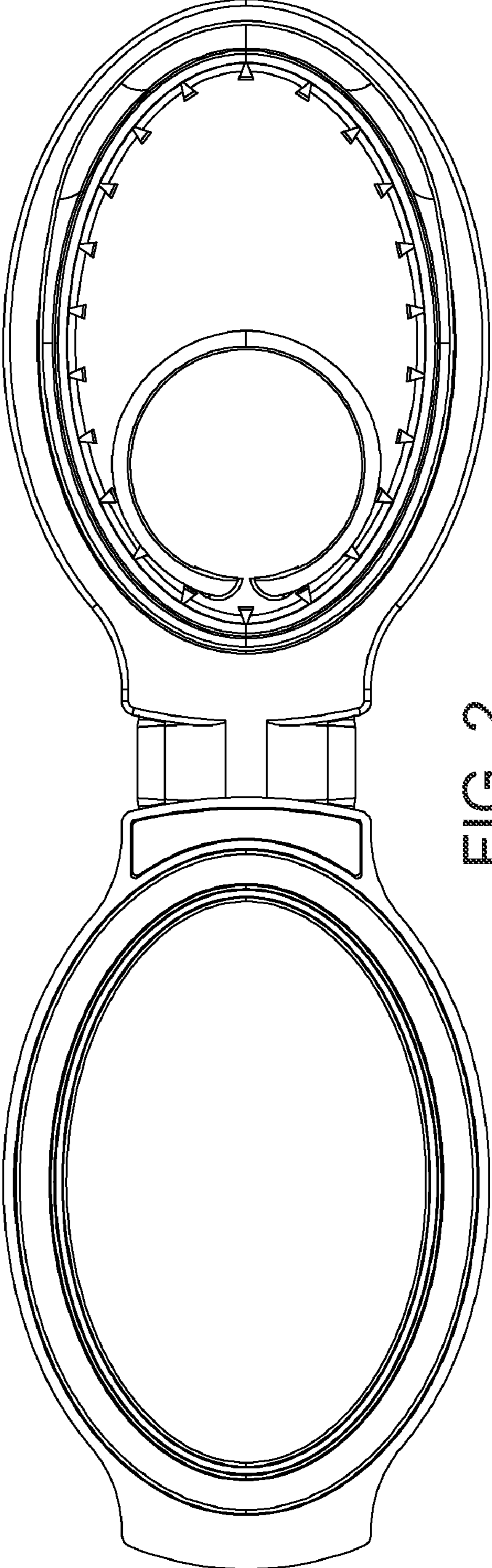


FIG. 2

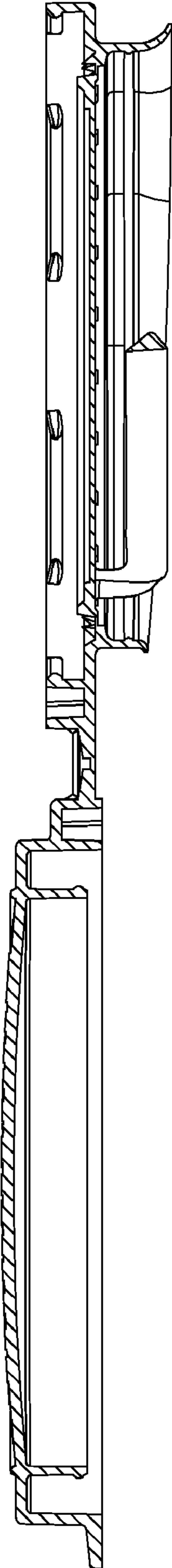


FIG. 3

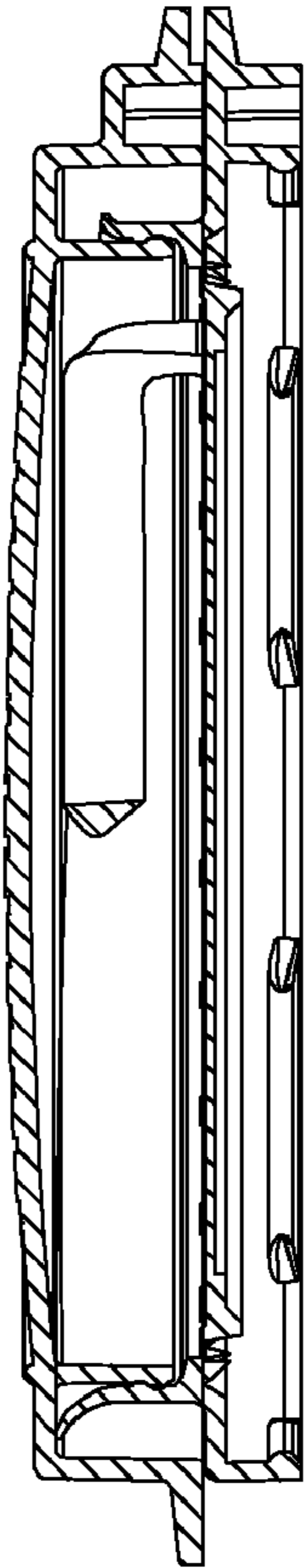


FIG. 4