



US00D589795S

(12) **United States Design Patent**  
**Sweeton et al.**

(10) **Patent No.:** **US D589,795 S**

(45) **Date of Patent:** **\*\* Apr. 7, 2009**

(54) **TRIGGER SPRAY DEVICE**

*Primary Examiner*—Susan B Hattan

(75) Inventors: **Steven L. Sweeton**, Lake Winnebago, MO (US); **David L. Dejong**, Ogden, UT (US)

(57) **CLAIM**

We claim an ornamental design for a trigger spray device, as shown and described.

(73) Assignee: **Meadwestvaco Calmar, Inc.**, Grandview, MI (US)

(\*\*) Term: **14 Years**

(21) Appl. No.: **29/317,645**

(22) Filed: **May 2, 2008**

(51) **LOC (9) Cl.** ..... **09-07**

(52) **U.S. Cl.** ..... **D9/448**

(58) **Field of Classification Search** ..... D9/686, D9/685, 682, 448; D8/51; D23/226, 213; 417/411; 401/190; 239/337, 120; 222/402.11, 222/383.3, 383.1, 323, 179.5, 109, 1  
See application file for complete search history.

**DESCRIPTION**

FIG. 1 is a perspective view of a trigger spray device showing my new design.

FIG. 2 is a side view of the trigger spray device shown in FIG. 1.

FIG. 3 is a front view of the trigger spray device shown in FIG. 1.

FIG. 4 is a rear view of the trigger spray device shown in FIG. 1.

FIG. 5 is a top view of the trigger spray device shown in FIG. 1.

FIG. 6 is a perspective view of the trigger spray device shown in FIG. 1.

FIG. 7 is a side view of the trigger spray device shown in FIG. 1; and,

FIG. 8 is a perspective view of the trigger spray device shown in FIG. 1 attached to a package.

The broken line representations in FIGS. 1 through 20 are depict environmental subject matter only and form no part of the claimed design.

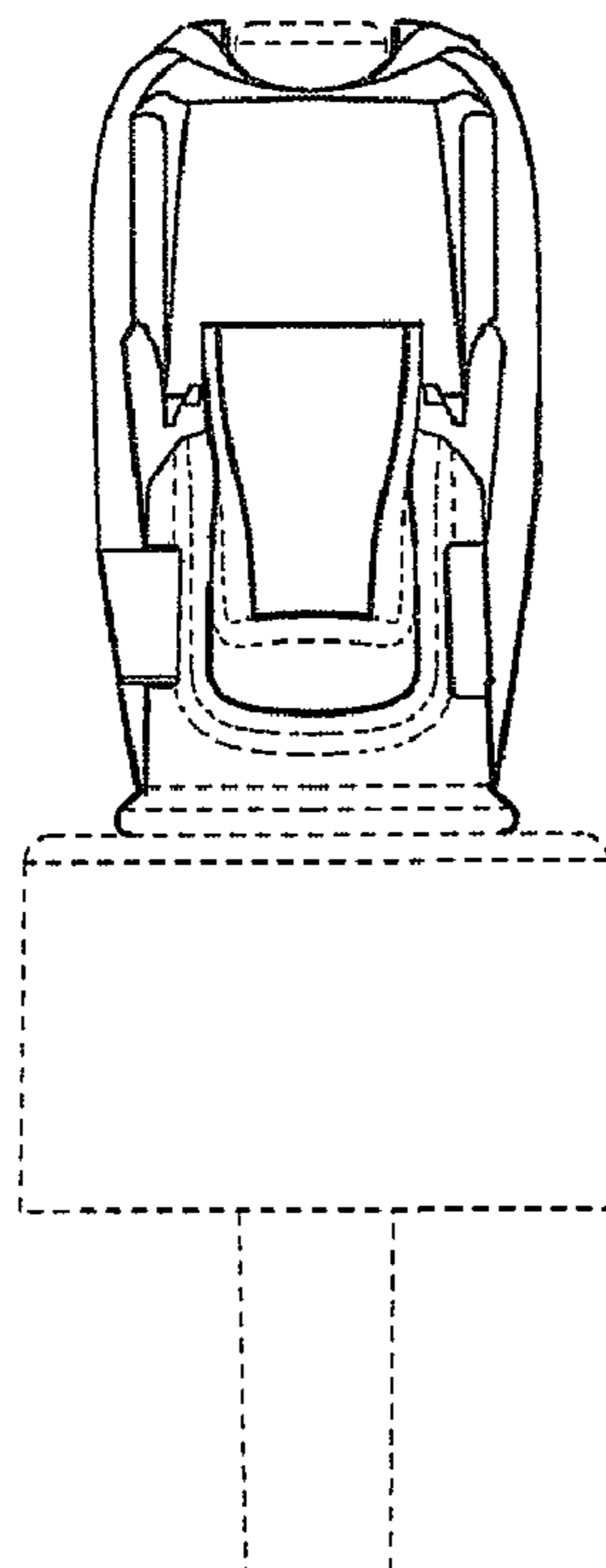
(56) **References Cited**

U.S. PATENT DOCUMENTS

6,126,044	A *	10/2000	Smith	.....	222/402.14
6,186,364	B1 *	2/2001	Dobbs	.....	222/153.13
D525,123	S *	7/2006	Walters et al.	.....	D9/448
D532,299	S *	11/2006	Kuo	.....	D9/448
7,249,692	B2 *	7/2007	Walters et al.	.....	222/153.11
7,341,056	B1 *	3/2008	Tucker	.....	128/200.14
D573,021	S *	7/2008	Ohshima	.....	D9/448
D580,760	S *	11/2008	Costa Quintas	.....	D9/448

\* cited by examiner

**1 Claim, 3 Drawing Sheets**



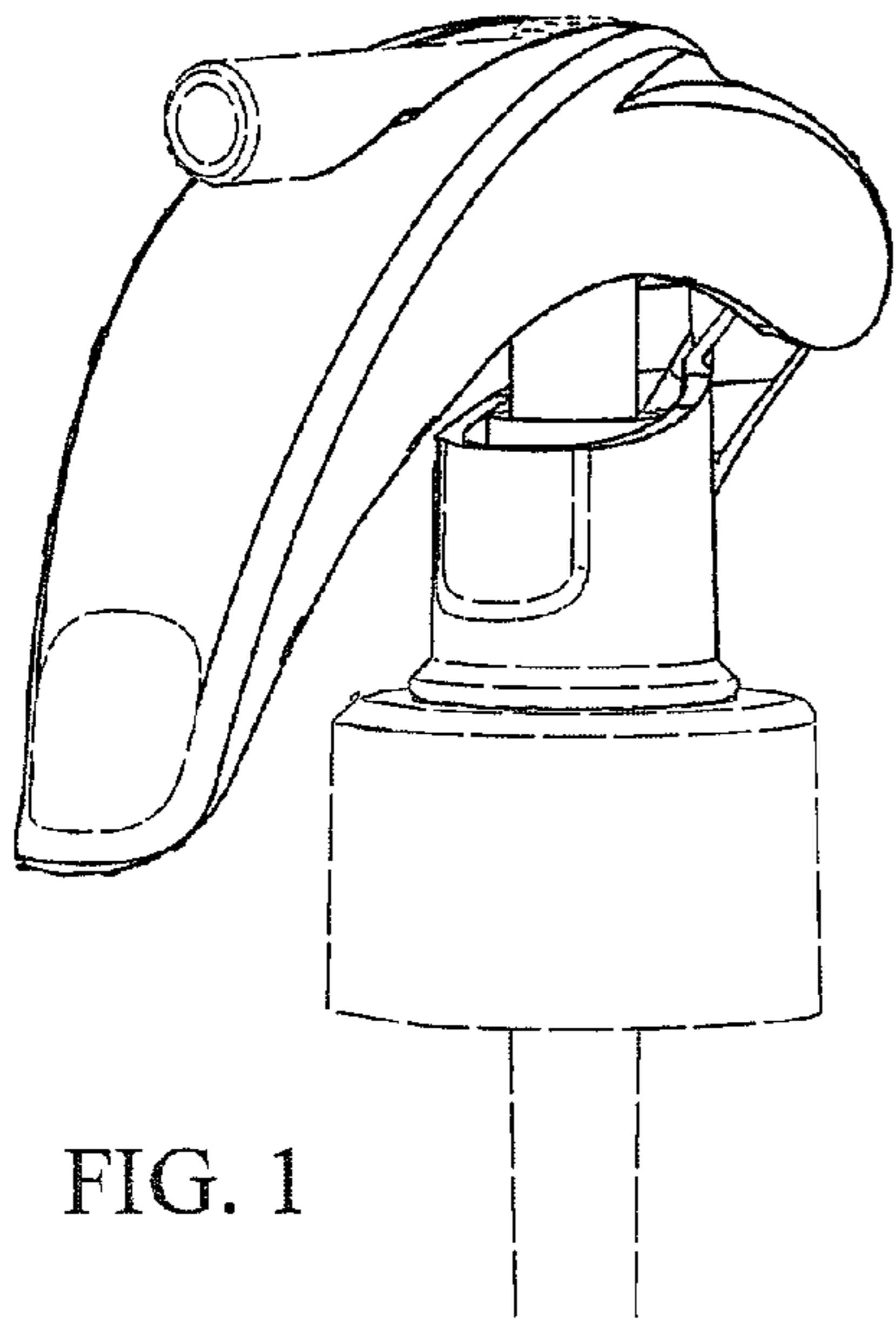


FIG. 1

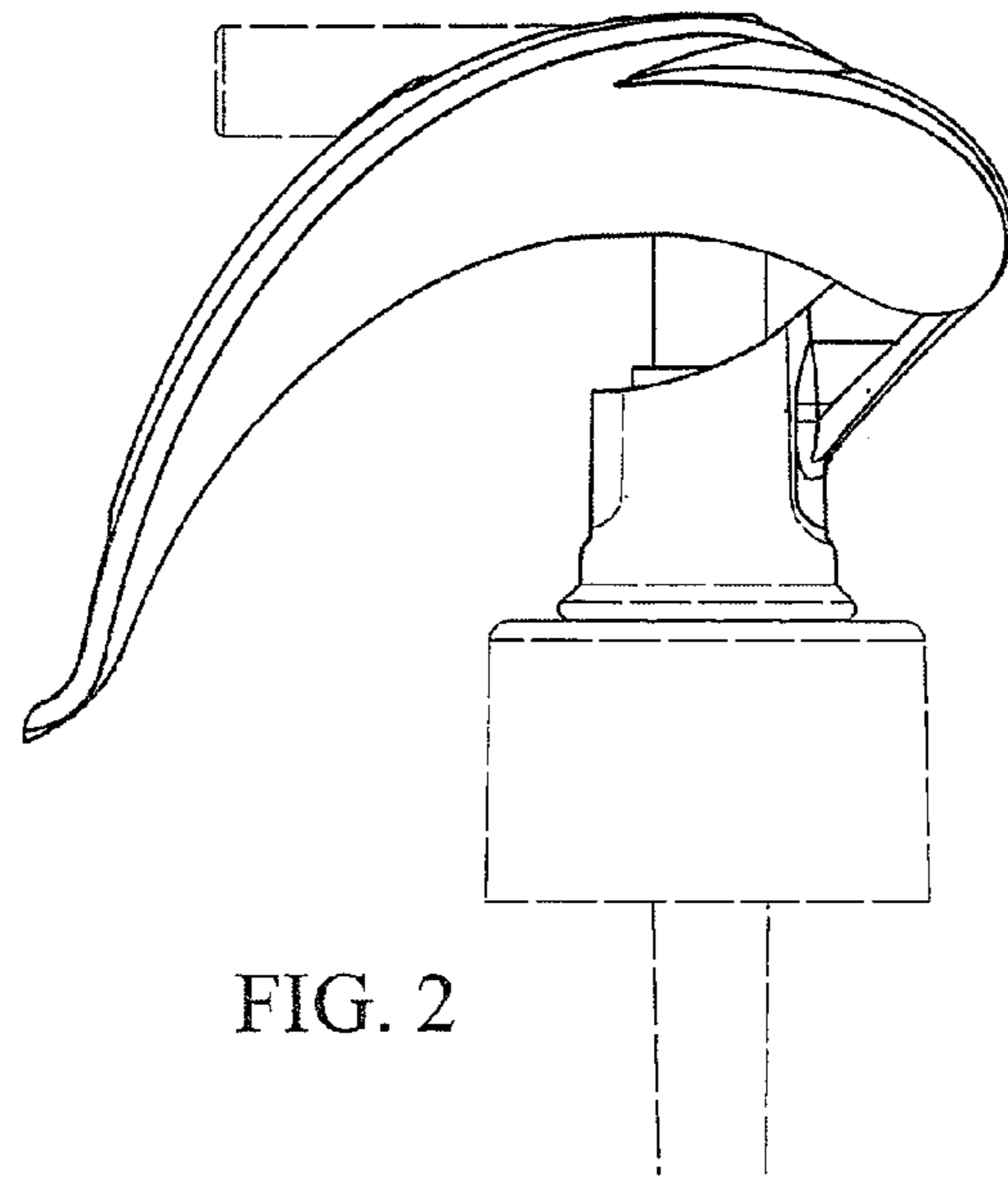


FIG. 2

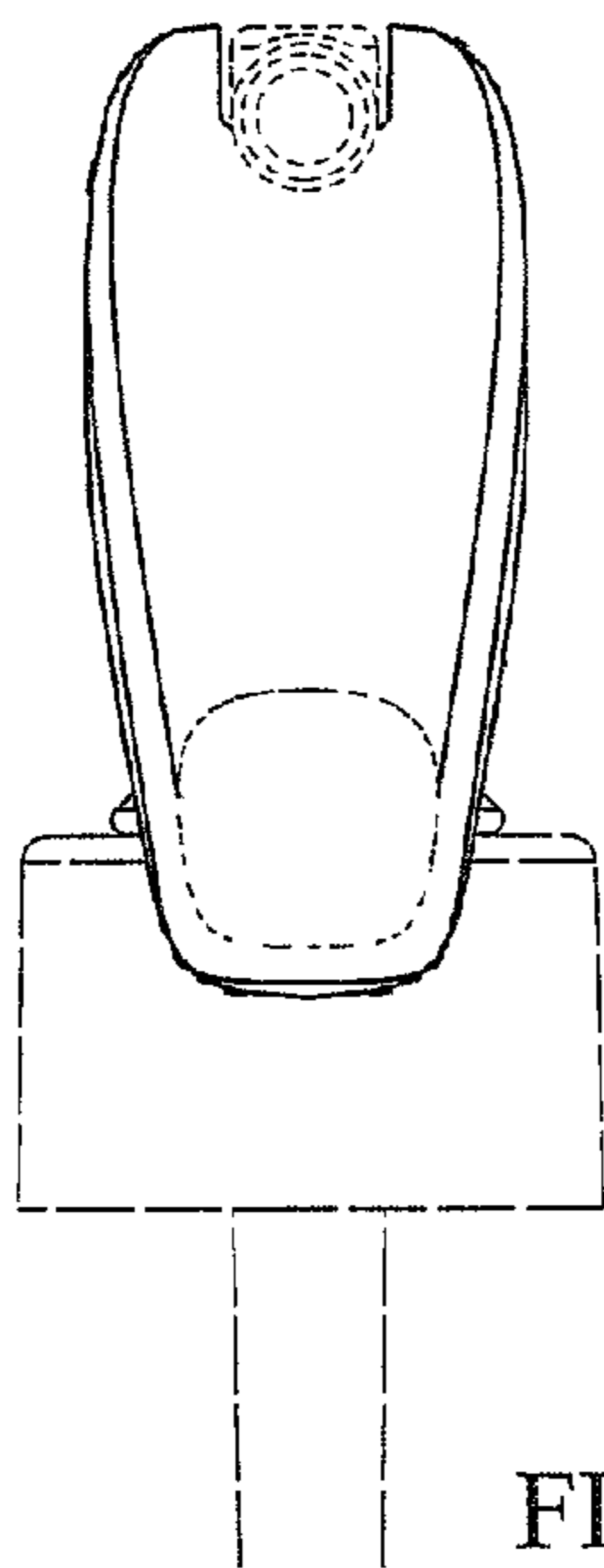


FIG. 3

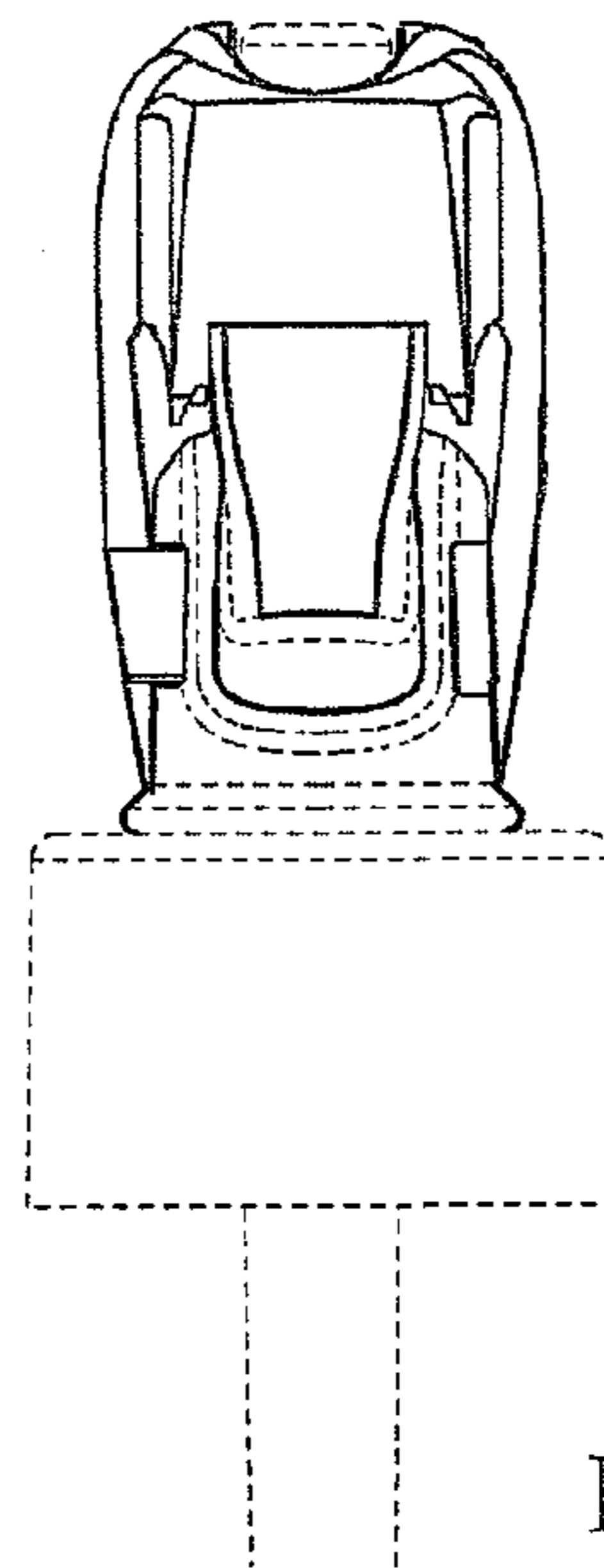


FIG. 4

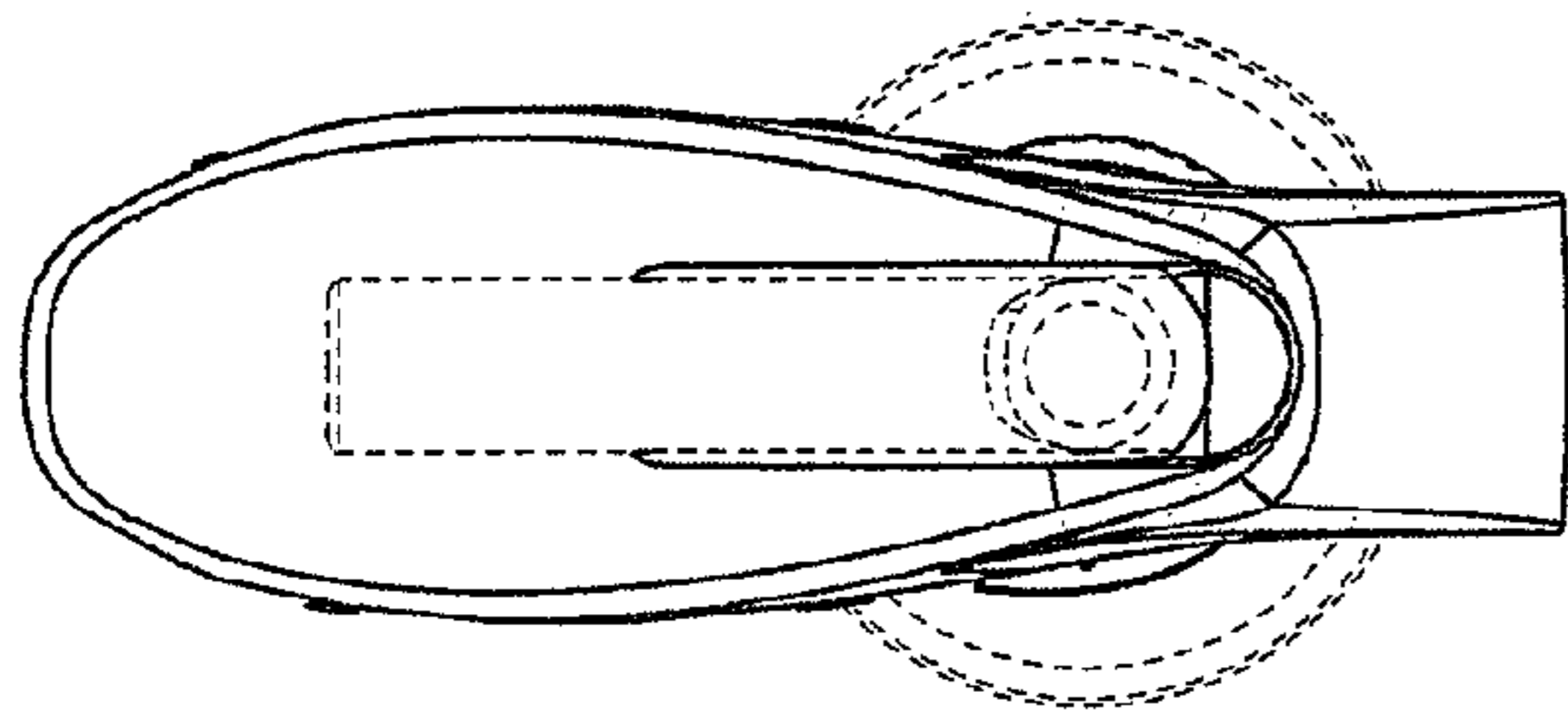


FIG. 5

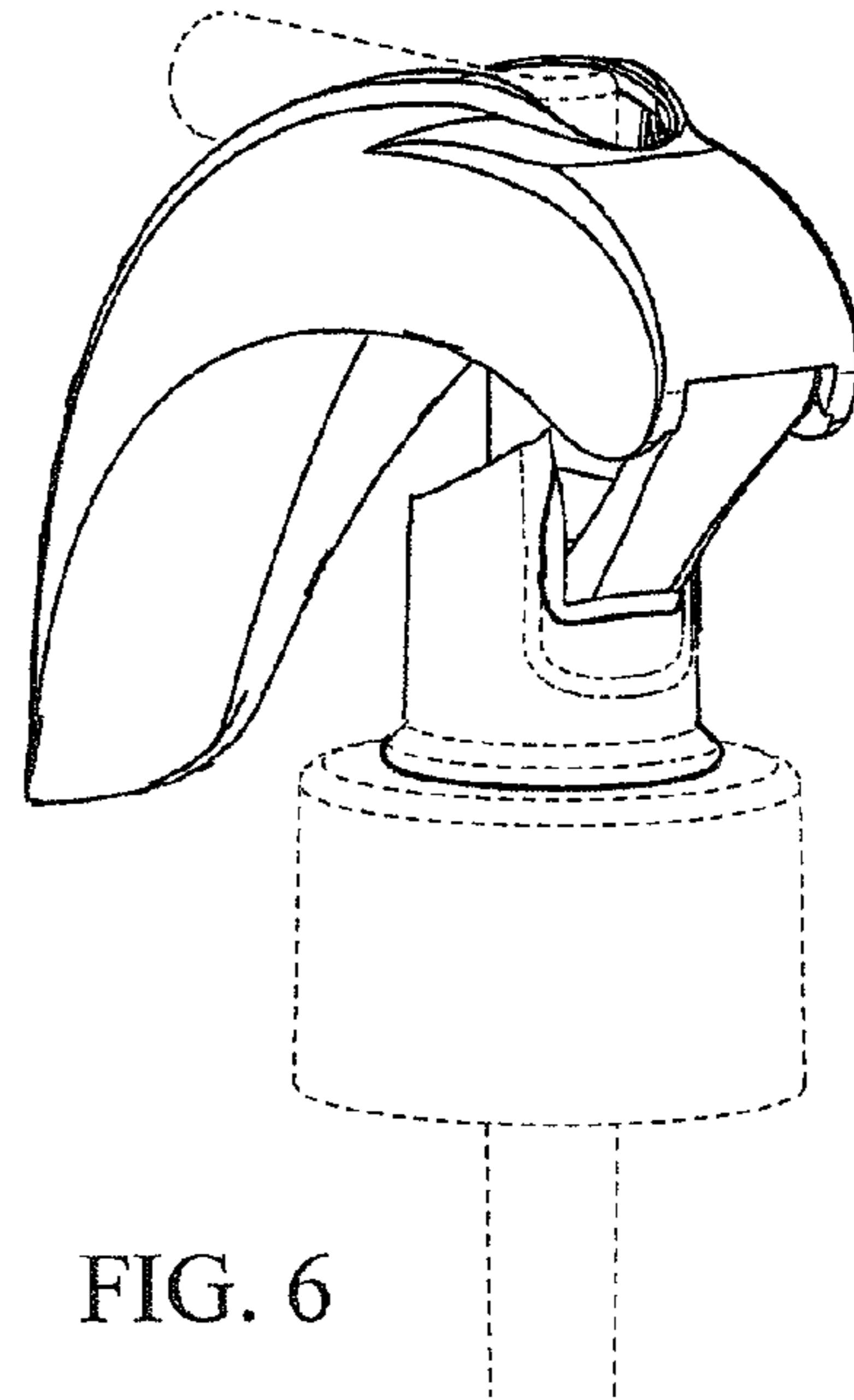


FIG. 6

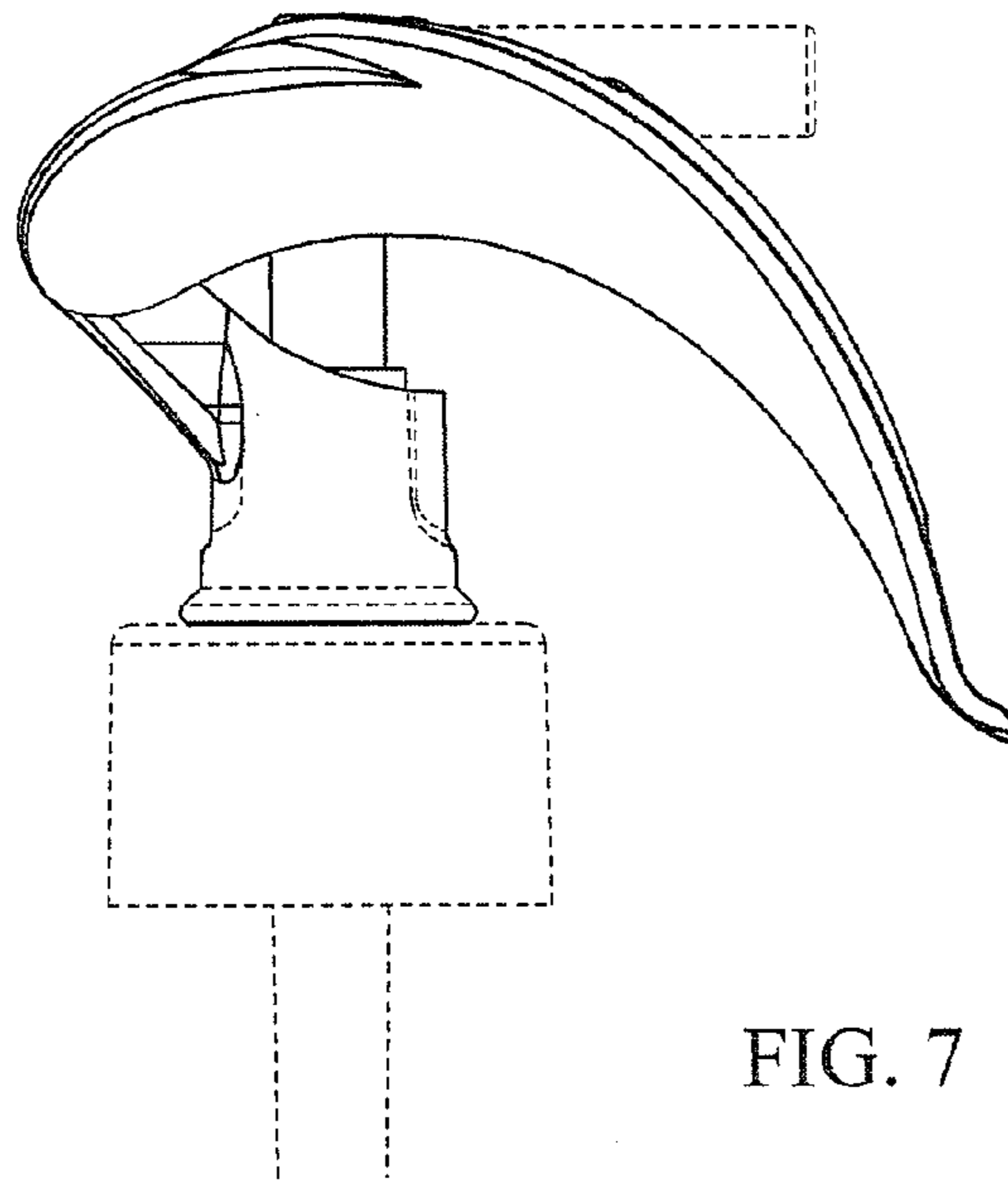


FIG. 7

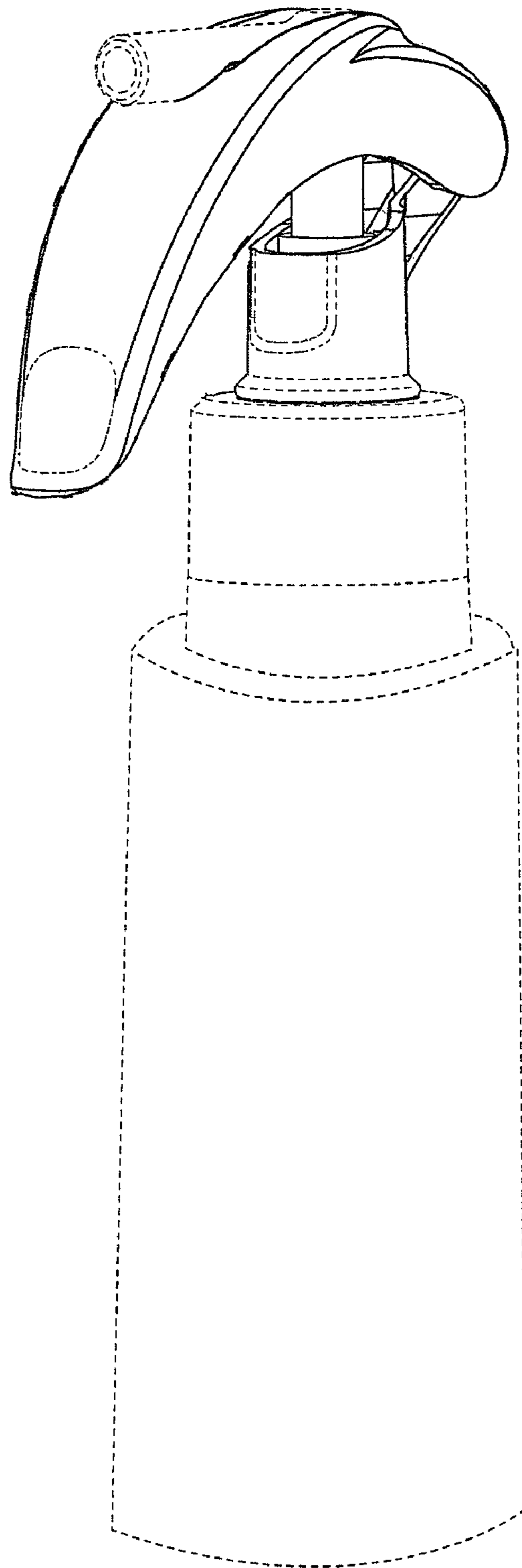


FIG. 8